



US00D726875S

(12) **United States Design Patent**  
**Wong et al.**

(10) **Patent No.:** **US D726,875 S**  
(45) **Date of Patent:** **\*\* Apr. 14, 2015**

(54) **VALVE HEAD**

(71) Applicants: **Winston K. Wong**, Bradford, MA (US);  
**Albin A. Huntley**, Martinez, CA (US);  
**Russell M. Ziegler**, Pleasant Hill, CA  
(US); **Blaik A. Musolf**, Concord, CA  
(US)

(72) Inventors: **Winston K. Wong**, Bradford, MA (US);  
**Albin A. Huntley**, Martinez, CA (US);  
**Russell M. Ziegler**, Pleasant Hill, CA  
(US); **Blaik A. Musolf**, Concord, CA  
(US)

(73) Assignee: **ACRO Associates, Inc.**, Concord, CA  
(US)

(\*\*) Term: **14 Years**

(21) Appl. No.: **29/483,946**

(22) Filed: **Mar. 4, 2014**

(51) **LOC (10) Cl.** ..... **23-01**

(52) **U.S. Cl.**  
USPC ..... **D23/233**

(58) **Field of Classification Search**  
CPC ..... B82Y 25/00; F16K 1/00; F16K 15/00  
USPC ..... D23/233-269; D15/5, 7; 137/15.04,  
137/15.08, 515, 7, 859, 595, 554, 556;  
251/7, 322, 333, 129.15, 181, 174,  
251/129.16, 129.19; 92/87; 404/25  
See application file for complete search history.

(56) **References Cited**

**U.S. PATENT DOCUMENTS**

3,737,141 A \* 6/1973 Zeuner ..... 251/129.07  
4,496,133 A \* 1/1985 Sule ..... 251/7

4,993,456 A \* 2/1991 Sule ..... 137/595  
5,190,071 A \* 3/1993 Sule ..... 137/595  
7,131,632 B2 \* 11/2006 Kish, Jr. .... 251/129.15  
7,156,368 B2 \* 1/2007 Lucas et al. .... 251/129.19  
7,654,474 B2 \* 2/2010 Cordua ..... 239/457  
D615,165 S \* 5/2010 McAlpine et al. .... D23/262  
7,762,523 B2 \* 7/2010 Smith ..... 251/129.19  
D642,244 S \* 7/2011 Wilhelm ..... D23/262  
D654,988 S \* 2/2012 Bloink et al. .... D23/259  
D654,989 S \* 2/2012 Bloink et al. .... D23/259  
8,205,811 B2 \* 6/2012 Cordua ..... 239/457  
D676,061 S \* 2/2013 Beierer et al. .... D15/5  
8,398,853 B2 \* 3/2013 An et al. .... 210/235  
D687,528 S \* 8/2013 Meyer ..... D23/262  
D689,590 S \* 9/2013 Brose ..... D23/213  
2006/0138374 A1 \* 6/2006 Lucas et al. .... 251/129.16  
2011/0303861 A1 \* 12/2011 Jones ..... 251/129.15  
2012/0273048 A1 \* 11/2012 Weatherbee et al. .... 137/1

\* cited by examiner

*Primary Examiner* — Cynthia Ramirez

*Assistant Examiner* — Gino Colan

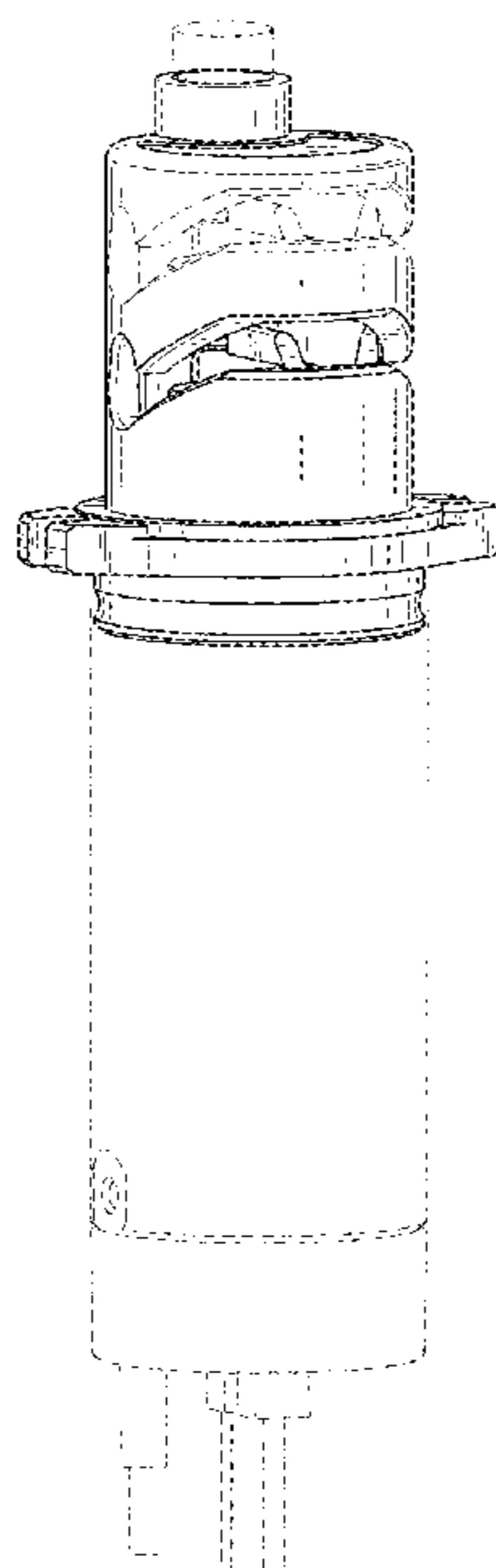
(57) **CLAIM**

The ornamental design for a valve head, as shown and described.

**DESCRIPTION**

FIG. 1 is a perspective front view of a valve head;  
FIG. 2 is a front elevation view of the valve head;  
FIG. 3 is a rear elevation view of the valve head;  
FIG. 4 is a left side elevation view of the valve head; the right side view being a mirror image thereof;  
FIG. 5 is a top plan view of the valve head; and,  
FIG. 6 is a bottom plan view of the valve head.  
The broken line showing in the drawings is for the purpose of illustrating portions of the valve head and forms no part of the claimed design.

**1 Claim, 3 Drawing Sheets**



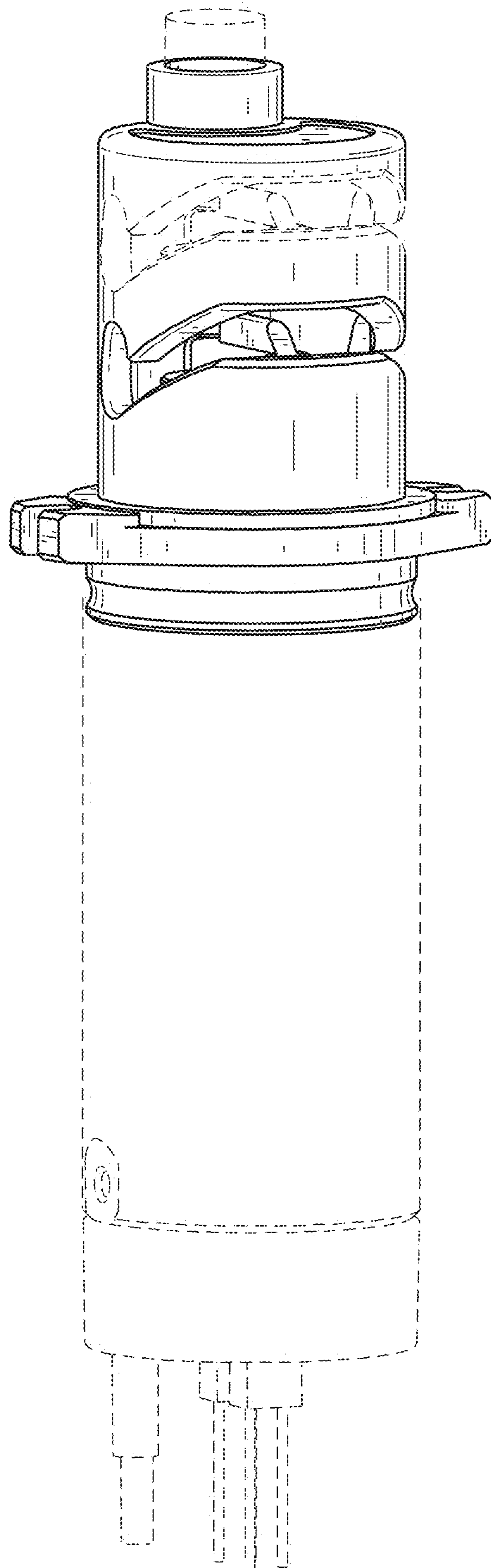


FIG. 1

FIG. 2

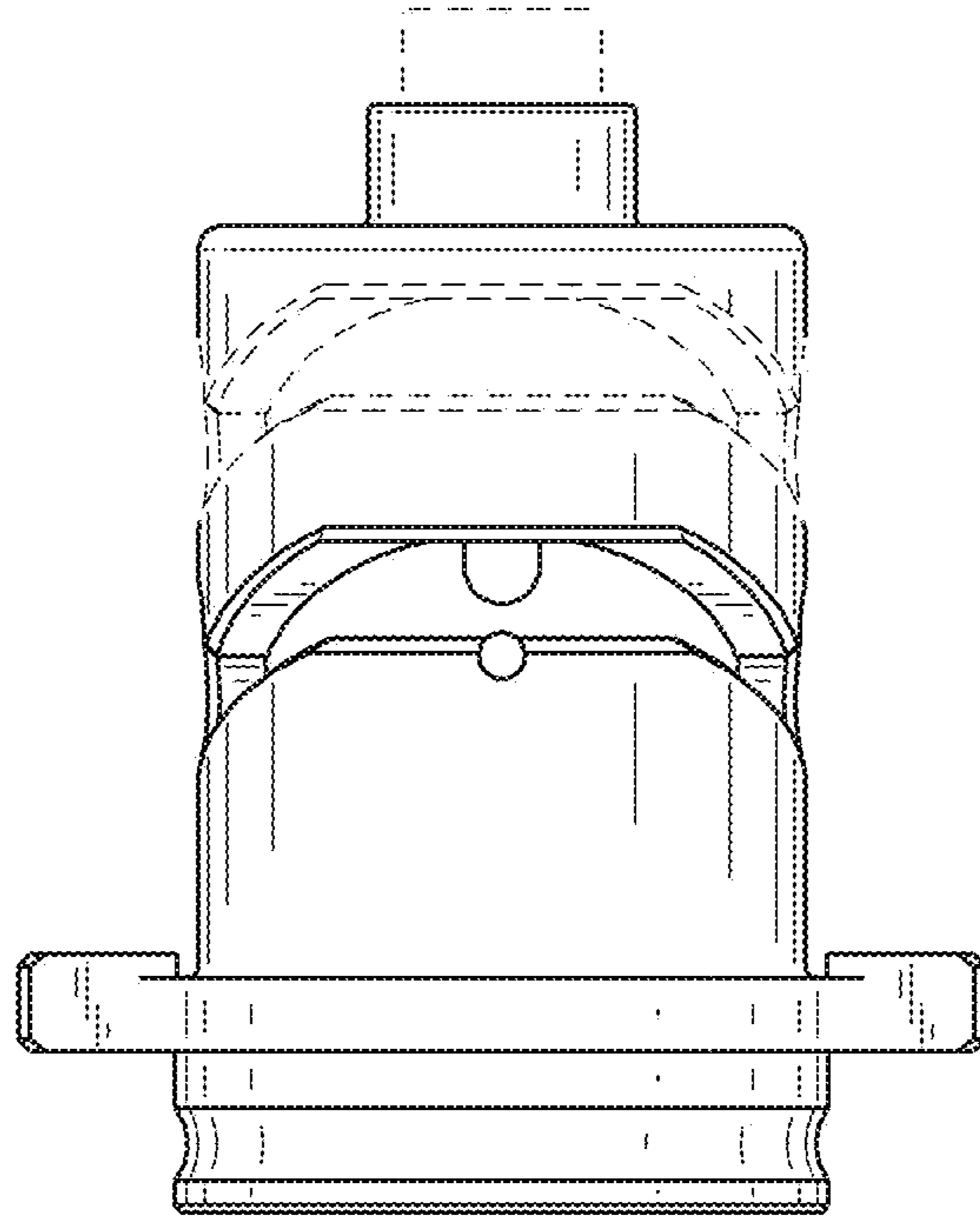


FIG. 3

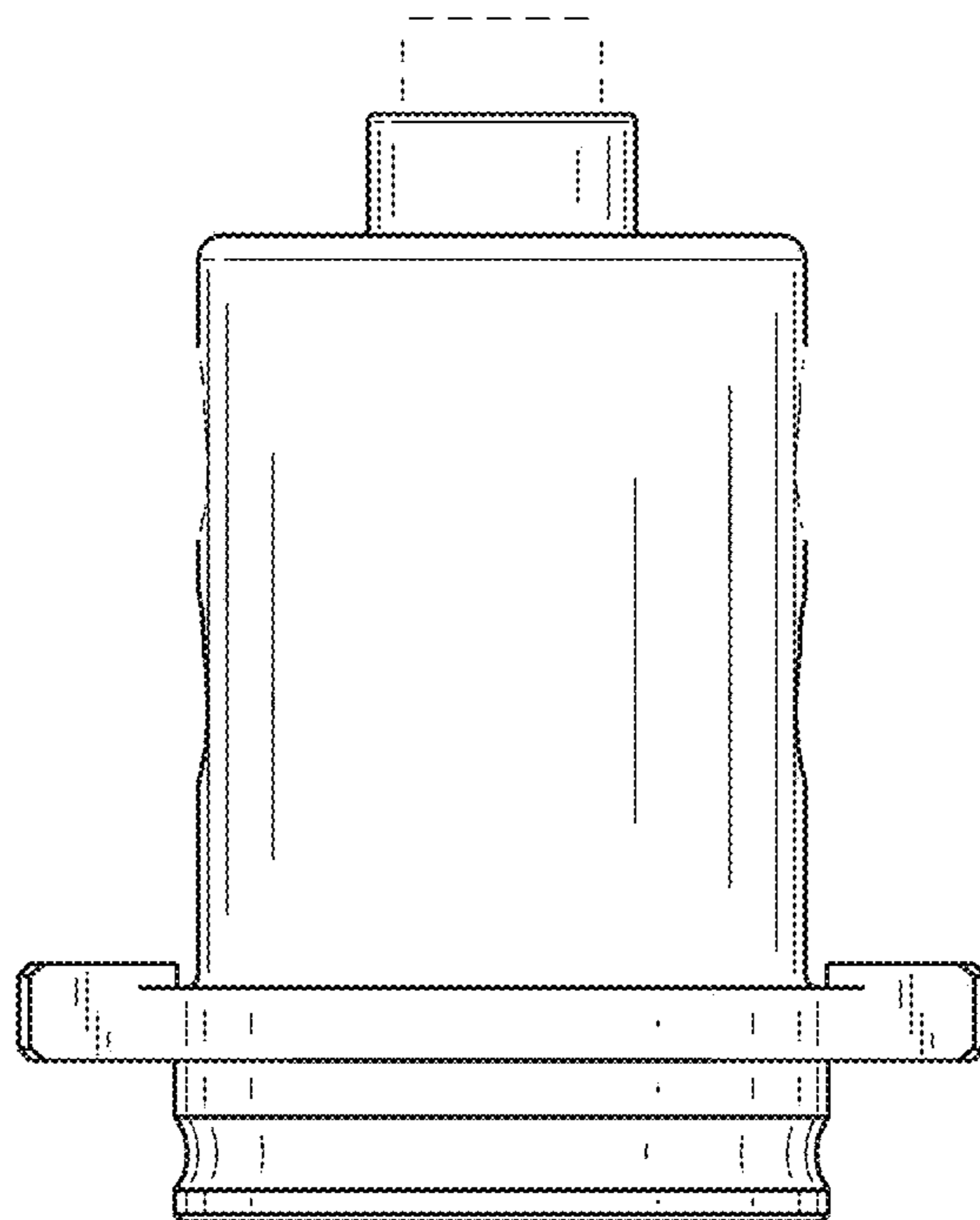


FIG. 4

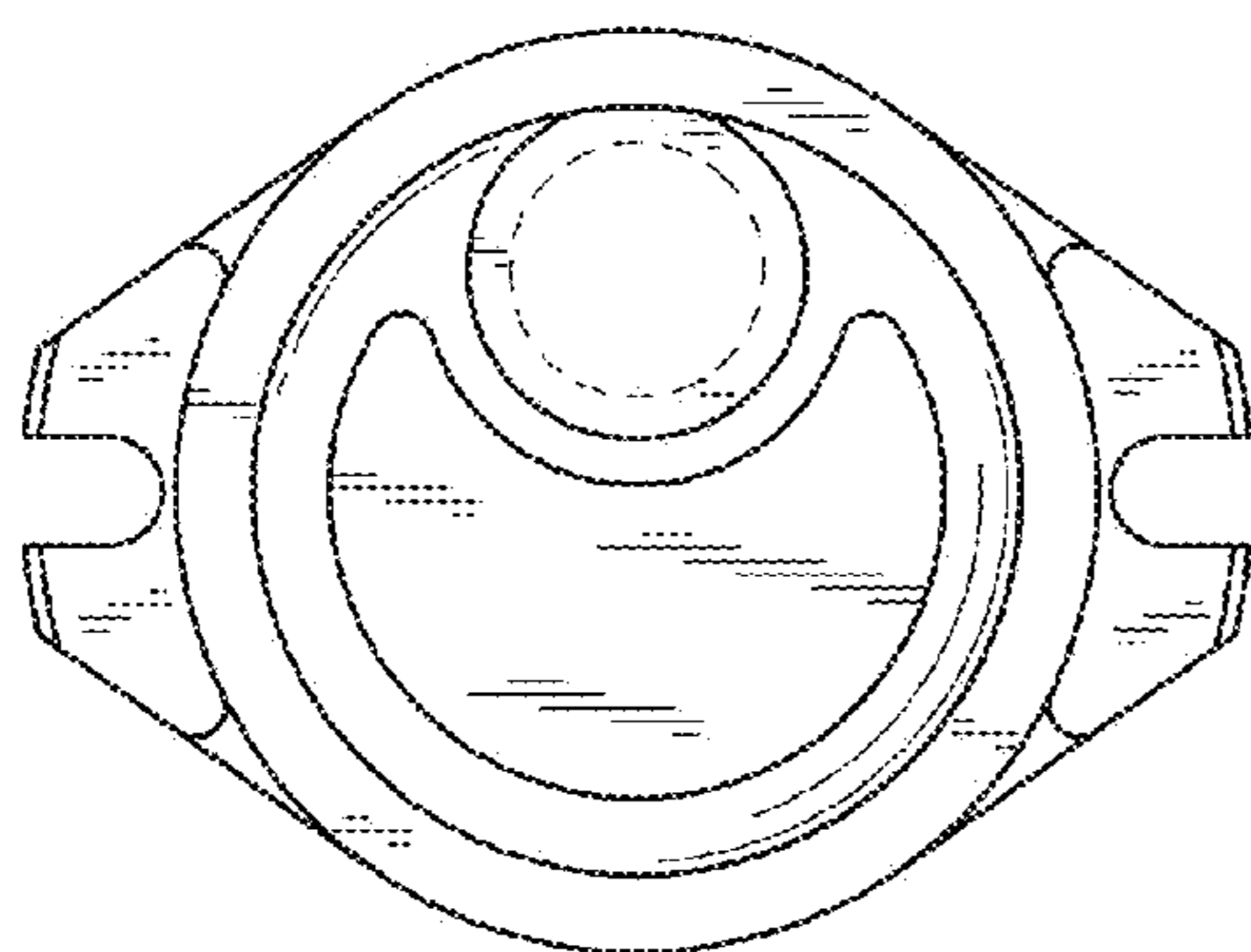
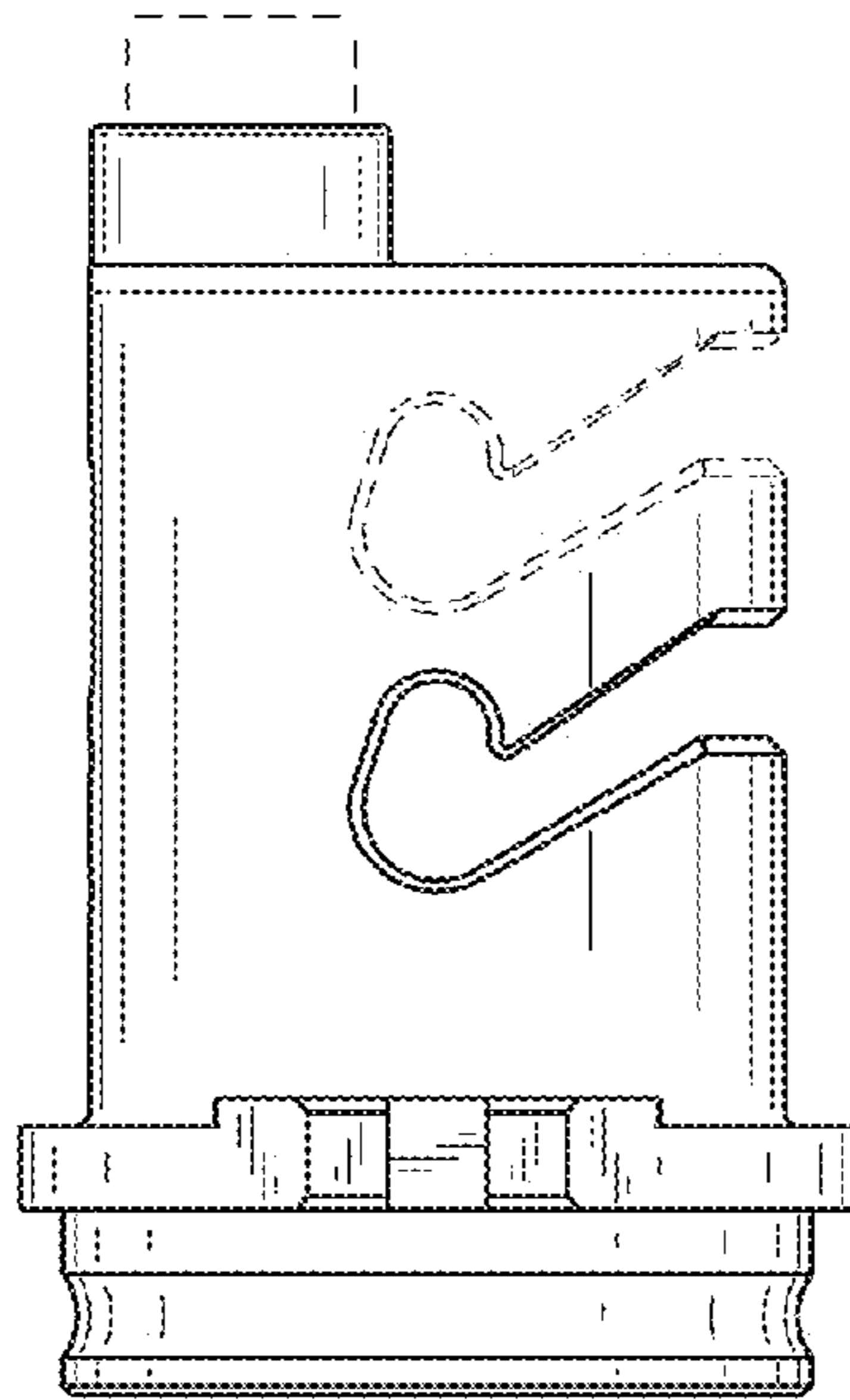


FIG. 5

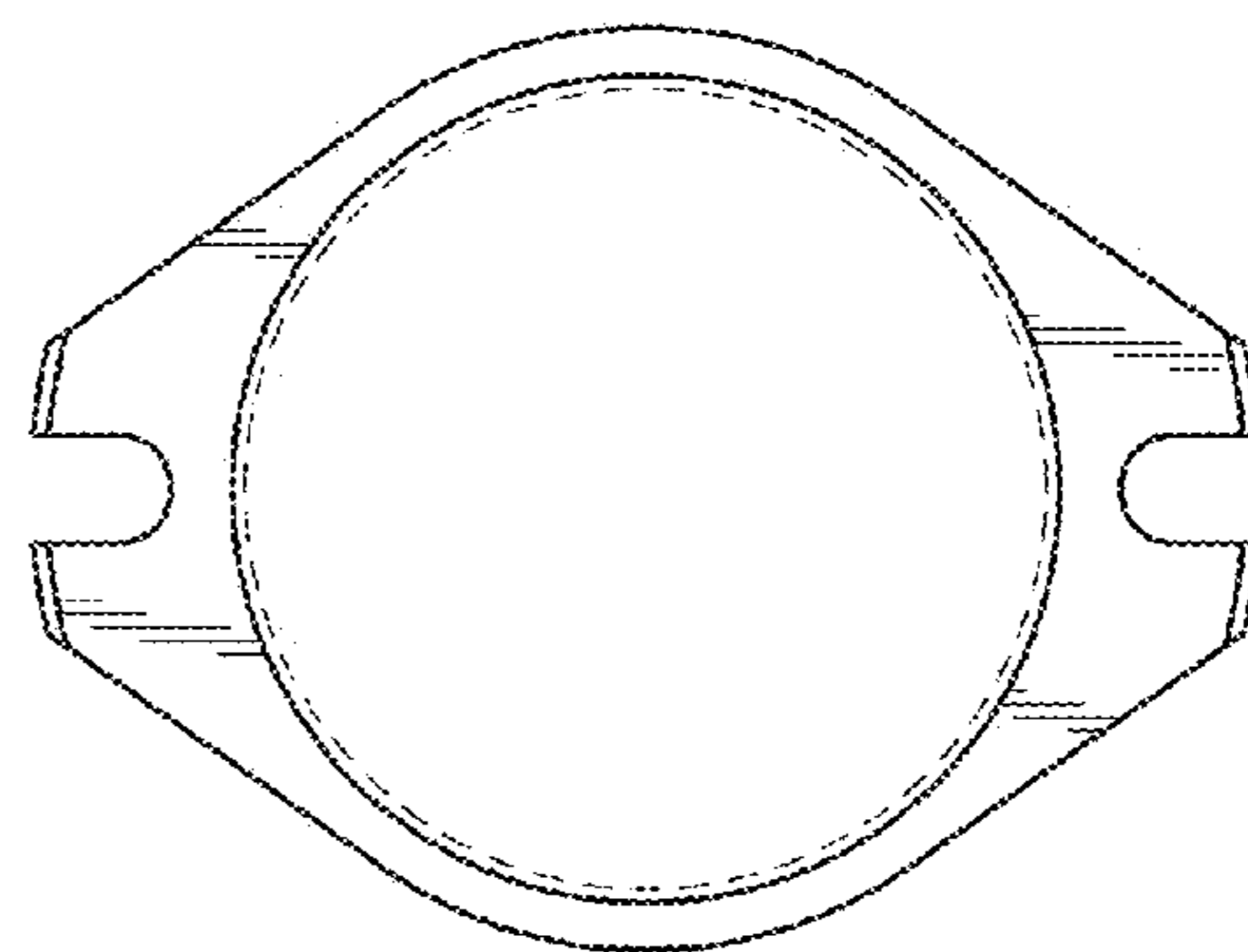


FIG. 6