



US00D726874S

(12) **United States Design Patent**
Wong et al.

(10) **Patent No.:** **US D726,874 S**
(45) **Date of Patent:** **** Apr. 14, 2015**

(54) **CASSETTE SOLENOID PINCH VALVE**

(71) Applicants: **Winston K. Wong**, Bradford, MA (US);
Albin A. Huntley, Martinez, CA (US);
Russell M. Ziegler, Pleasant Hill, CA
(US); **Blaik A. Musolf**, Concord, CA
(US)

(72) Inventors: **Winston K. Wong**, Bradford, MA (US);
Albin A. Huntley, Martinez, CA (US);
Russell M. Ziegler, Pleasant Hill, CA
(US); **Blaik A. Musolf**, Concord, CA
(US)

(73) Assignee: **Acro Associates, Inc.**, Concord, CA
(US)

(**) Term: **14 Years**

(21) Appl. No.: **29/480,668**

(22) Filed: **Jan. 28, 2014**

(51) **LOC (10) Cl.** **23-01**

(52) **U.S. Cl.**
USPC **D23/233**

(58) **Field of Classification Search**
CPC . F16K 31/0655; F16K 31/06; F16K 31/0658;
F16K 31/0675; B60T 8/363
USPC D23/233-250, 266, 328; D15/5, 7;
137/15.04, 15.08, 515, 7, 859, 332,
137/529, 533.17, 540, 54, 543.17, 512.1,
137/243.2, 852, 223, 232, 366, 234, 368,
137/349, 367; 251/322, 333, 129.15; 92/87;
404/25

See application file for complete search history.

(56) **References Cited**

U.S. PATENT DOCUMENTS

D264,085 S * 4/1982 Clay D15/7
D273,296 S * 4/1984 Dilliner D15/5

D373,365 S * 9/1996 Schoenmeyr D15/7
D408,420 S * 4/1999 Buter D15/7
D493,211 S * 7/2004 Fraser et al. D23/241
D566,235 S * 4/2008 Heck et al. D23/238
D583,389 S * 12/2008 Bilger D15/7
D610,234 S * 2/2010 Bonde D23/233
D623,271 S * 9/2010 Yamada D23/233
D633,180 S * 2/2011 Duong et al. D23/233
D675,715 S * 2/2013 McKenzie D23/266
D702,736 S * 4/2014 Tomioka et al. D15/5
D705,396 S * 5/2014 Roden D23/233
D708,303 S * 7/2014 Gehrling D23/233
D714,910 S * 10/2014 Roden D23/233
2011/0303861 A1 * 12/2011 Jones 251/129.15

* cited by examiner

Primary Examiner — Cynthia Ramirez
Assistant Examiner — Gino Colan

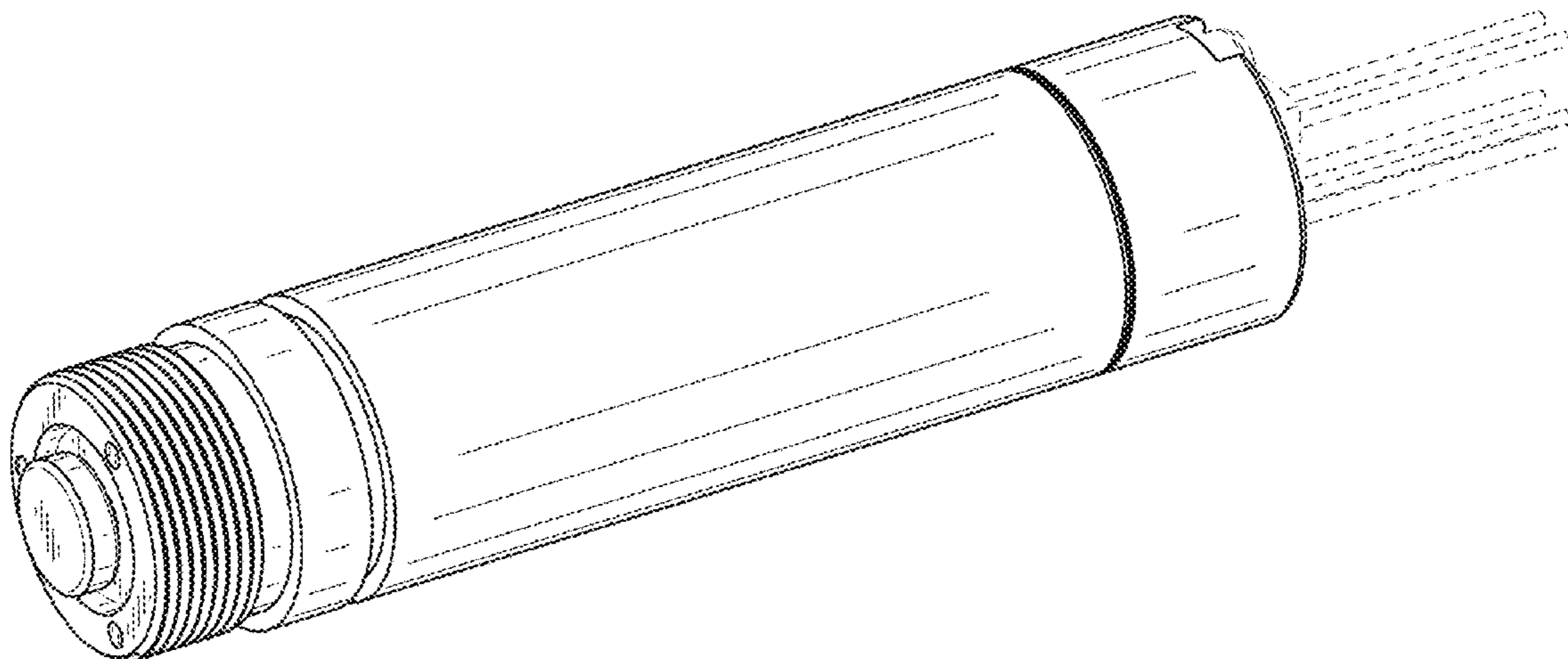
(57) **CLAIM**

The ornamental design for a cassette solenoid pinch valve, as shown and described.

DESCRIPTION

FIG. 1 is a perspective front view of a cassette solenoid pinch valve;
FIG. 2 is a front elevation view of the cassette solenoid pinch valve;
FIG. 3 is a rear elevation view of the cassette solenoid pinch valve;
FIG. 4 is a left side elevation view of the cassette solenoid pinch valve;
FIG. 5 is a right side elevation view of the cassette solenoid pinch valve;
FIG. 6 is a top plan view of the cassette solenoid pinch valve;
and,
FIG. 7 is a bottom plan view of the cassette solenoid pinch valve.
The broken lines shown in the drawings of the cassette solenoid pinch valve represent unclaimed subject matter and form no part of the claimed design.

1 Claim, 3 Drawing Sheets



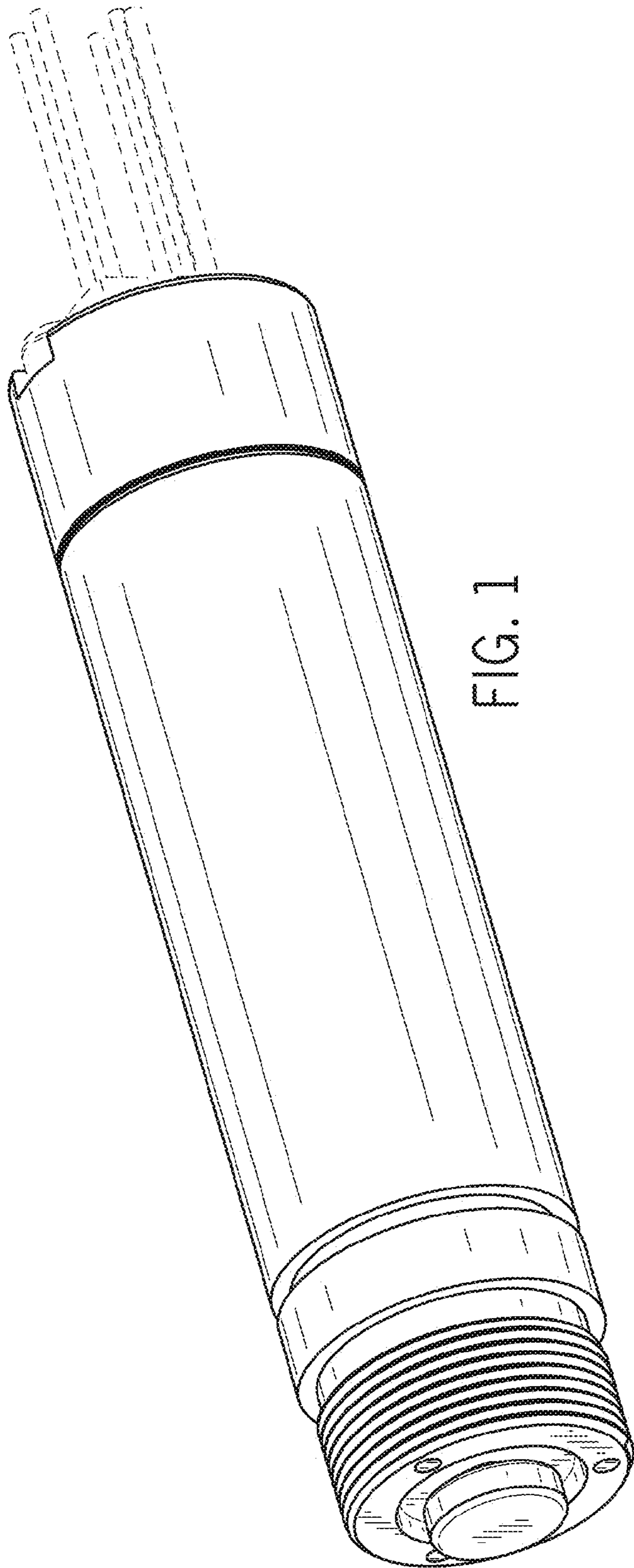


FIG. 1

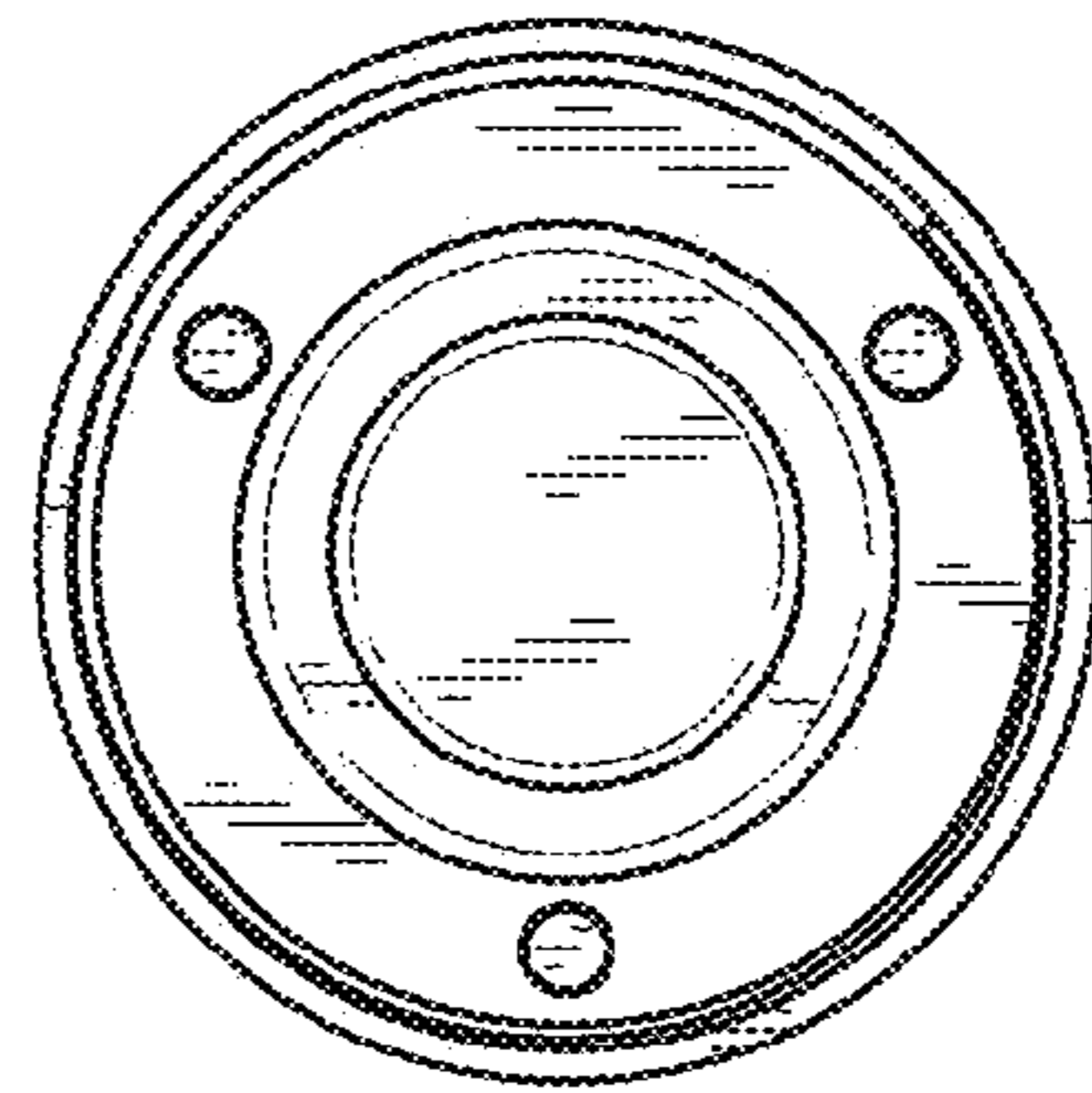


FIG. 2

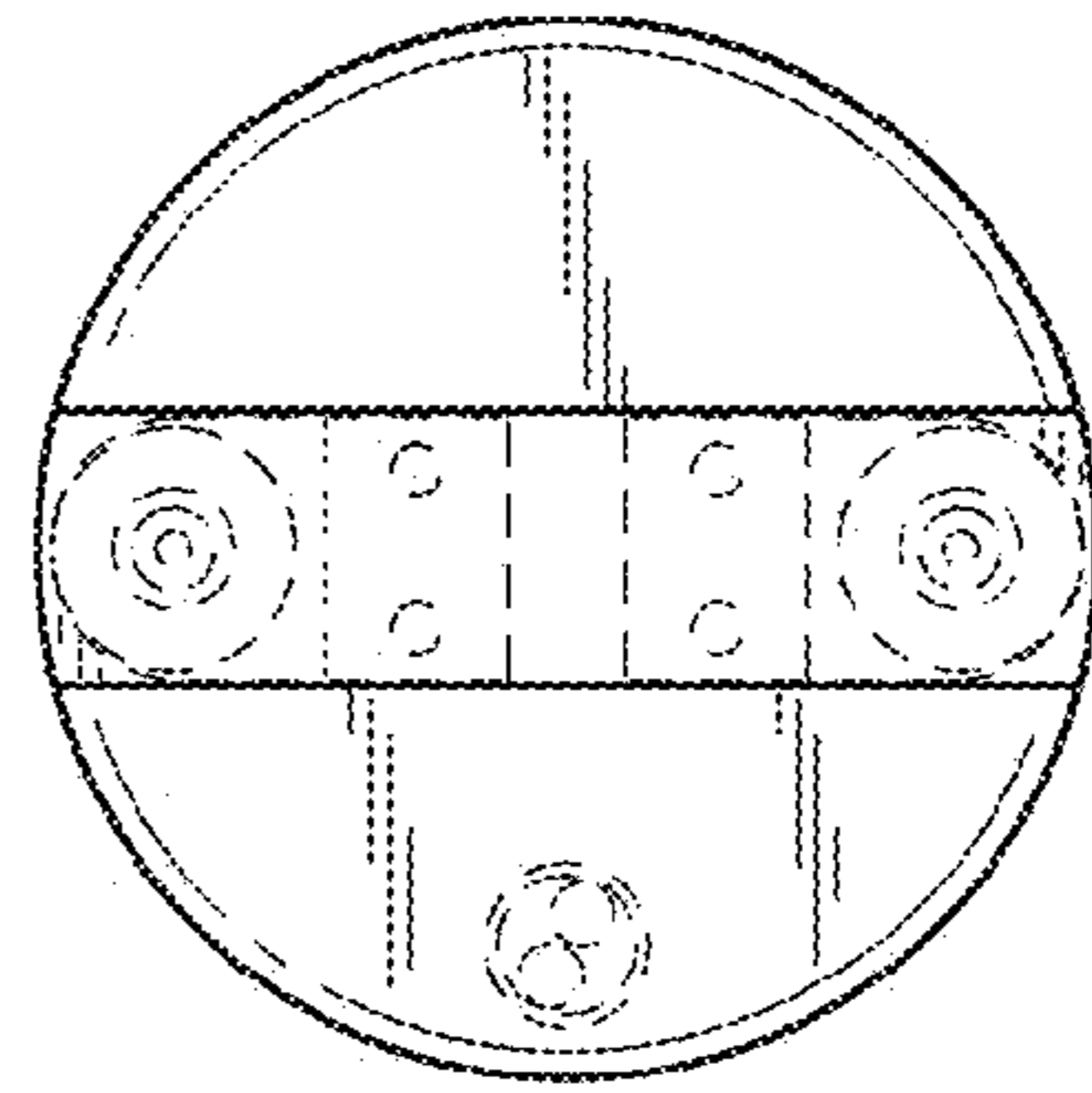


FIG. 3

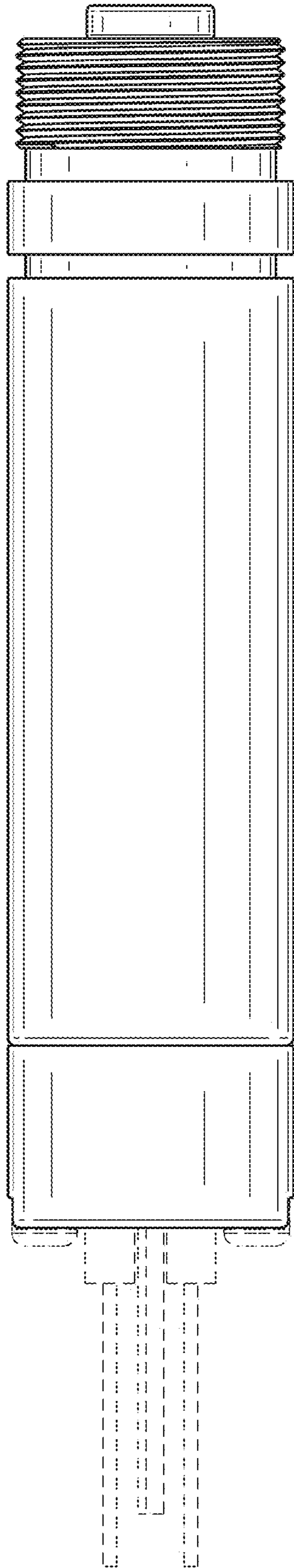


FIG. 4

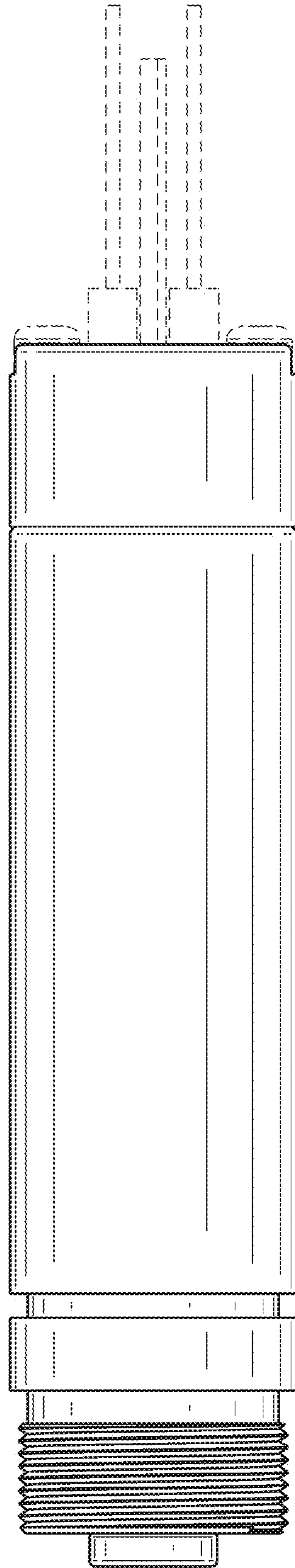


FIG. 5

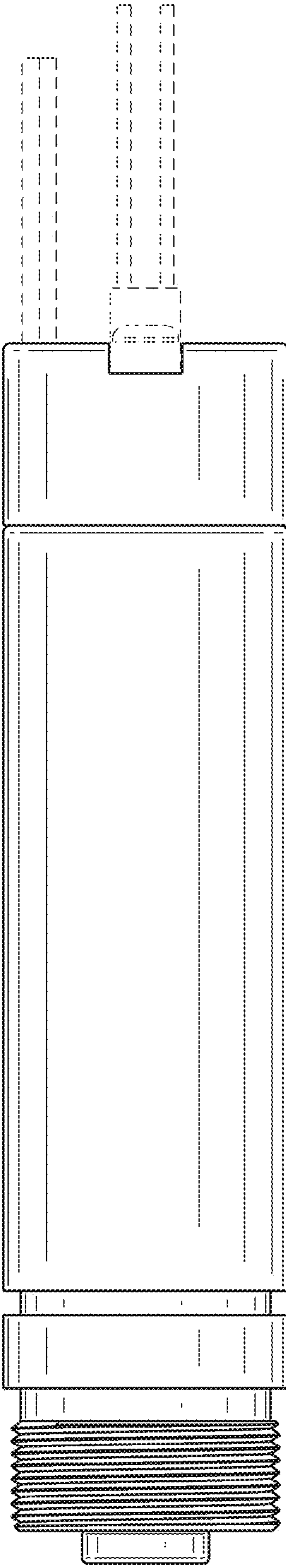


FIG. 6

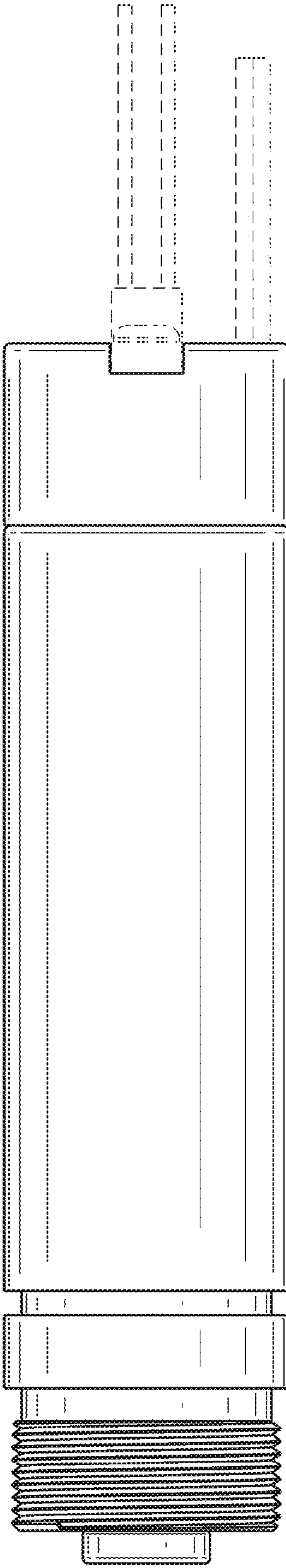


FIG. 7