



US00D726873S

(12) **United States Design Patent**
Fulkerson et al.

(10) **Patent No.:** **US D726,873 S**
(45) **Date of Patent:** **** Apr. 14, 2015**

- (54) **PINCH VALVE**
- (71) Applicant: **Nordson Corporation**, Westlake, OH (US)
- (72) Inventors: **Terrence M. Fulkerson**, Brunswick Hills, OH (US); **Donna Campbell**, Huron, OH (US)
- (73) Assignee: **Nordson Corporation**, Westlake, OH (US)
- (**) Term: **14 Years**
- (21) Appl. No.: **29/448,979**
- (22) Filed: **Mar. 14, 2013**
- (51) **LOC (10) Cl.** **23-01**
- (52) **U.S. Cl.**
USPC **D23/233**
- (58) **Field of Classification Search**
CPC F16K 7/06; F16K 7/065; F16K 7/07; F16K 7/04; F16K 1/00; F16K 15/00; F16K 25/00; A61M 39/284
USPC D23/233-237, 244-249; D7/398; D34/39; 239/337, 349, 353, 569; 118/300, 308; 137/209; 417/390, 559; D8/358, 359; D3/24; D14/484
See application file for complete search history.

- D368,299 S 3/1996 Ratledge
- D403,049 S * 12/1998 Ohtani et al. D23/233
- D424,167 S 5/2000 Yuen et al.
- D436,520 S 1/2001 Bulman
- 6,179,221 B1 1/2001 Goldberg et al.
- D443,811 S 6/2001 Tisbo
- 6,278,061 B1 8/2001 Daoud
- 6,619,563 B2 9/2003 van der Steur
- D486,061 S 2/2004 Mullins et al.
- 6,705,545 B1 3/2004 Sroka et al.

(Continued)

OTHER PUBLICATIONS

Orbit Website Search, Oct. 28, 2014, 1/1 Designs-Questel Pinch Valve, shown in pp. 1-16.*

Primary Examiner — Cynthia Ramirez
Assistant Examiner — Gino Colan

(74) *Attorney, Agent, or Firm* — Calfee, Halter & Griswold LLP

(57) **CLAIM**

The ornamental design for a pinch valve, as shown and described.

DESCRIPTION

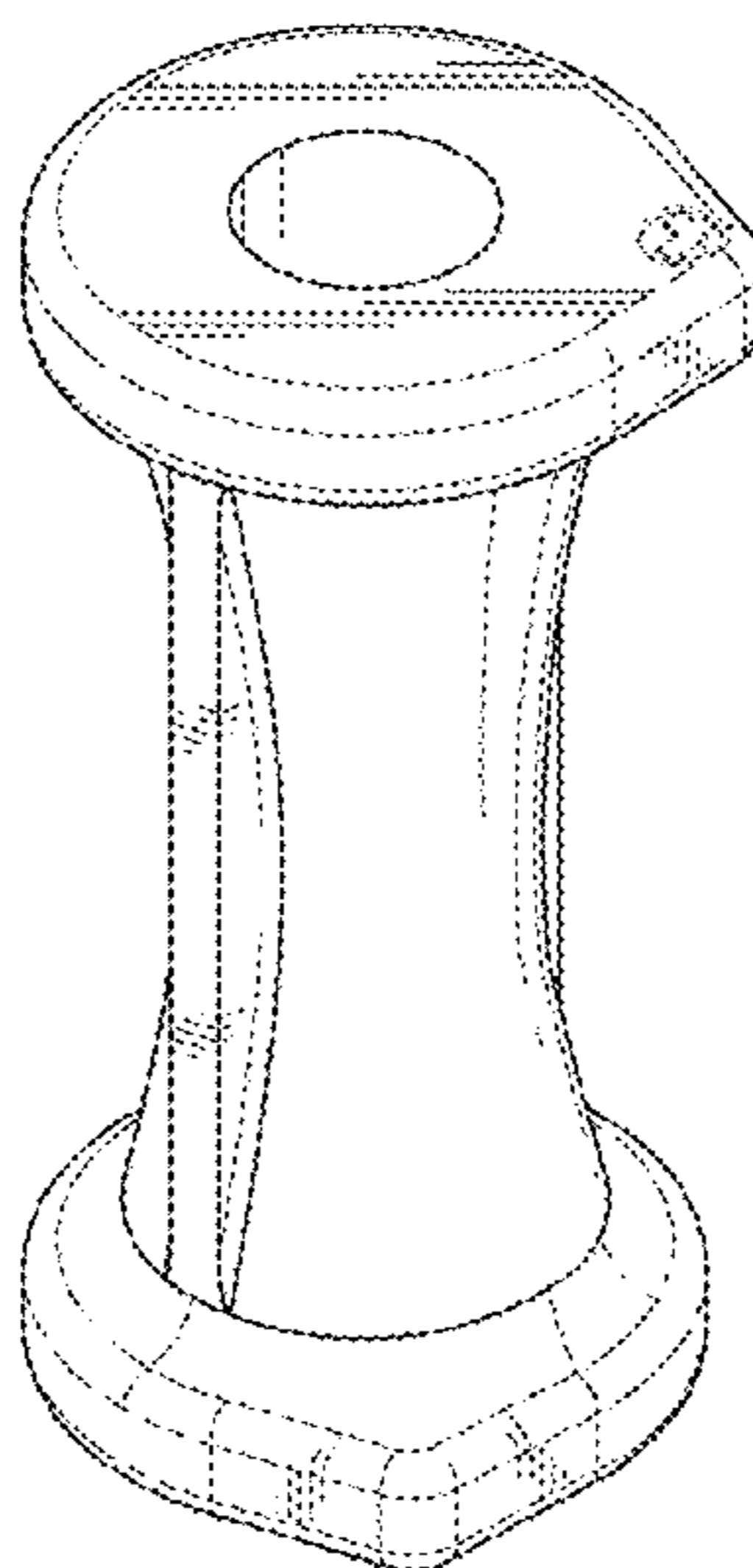
FIG. 1 is a perspective view of a first embodiment of a pinch valve of the new design;
 FIG. 2 is a front elevational view of the pinch valve of FIG. 1;
 FIG. 3 is a right side elevational view of the pinch valve of FIG. 1;
 FIG. 4 is a left side elevational view of the pinch valve of FIG. 1;
 FIG. 5 is a rear elevational view of the pinch valve of FIG. 1;
 FIG. 6 is a top plan view of the pinch valve of FIG. 1; and,
 FIG. 7 is a bottom plan view of a pinch valve of FIG. 1.
 The broken lines in the drawings are included for the purpose of illustrating elements of the pinch valve and form no part of the claimed design.

1 Claim, 4 Drawing Sheets

(56) **References Cited**

U.S. PATENT DOCUMENTS

- D94,288 S 1/1935 Teahen
- D244,943 S 7/1977 Balmer, Jr.
- 4,372,528 A * 2/1983 Raftis 251/4
- D276,299 S 11/1984 Reardon
- D281,482 S 11/1985 Suzuki
- D318,412 S 7/1991 Williams
- D348,922 S 7/1994 Thrasher et al.
- D355,584 S 2/1995 Clivio



(56)

References Cited

U.S. PATENT DOCUMENTS

D504,307 S 4/2005 Dayan
D504,806 S 5/2005 Basaran et al.
D508,199 S 8/2005 Winig et al.
D523,251 S 6/2006 Parpala
D524,911 S 7/2006 Thompson et al.
D537,709 S 3/2007 Thorner
D545,561 S 7/2007 Vandecasteele

D546,920 S * 7/2007 Fulkerson D23/233
D557,118 S 12/2007 Linginfelter
D563,207 S 3/2008 Kawazoe
D583,651 S 12/2008 Kawazoe
D597,629 S 8/2009 Fulkerson
D603,480 S * 11/2009 Ibanez Sapina D23/233
D617,421 S * 6/2010 Fulkerson D23/233
D692,100 S * 10/2013 Freeth D23/233
2002/0139301 A1 10/2002 Attinoto et al.
2005/0158187 A1 7/2005 Fulkerson et al.

* cited by examiner

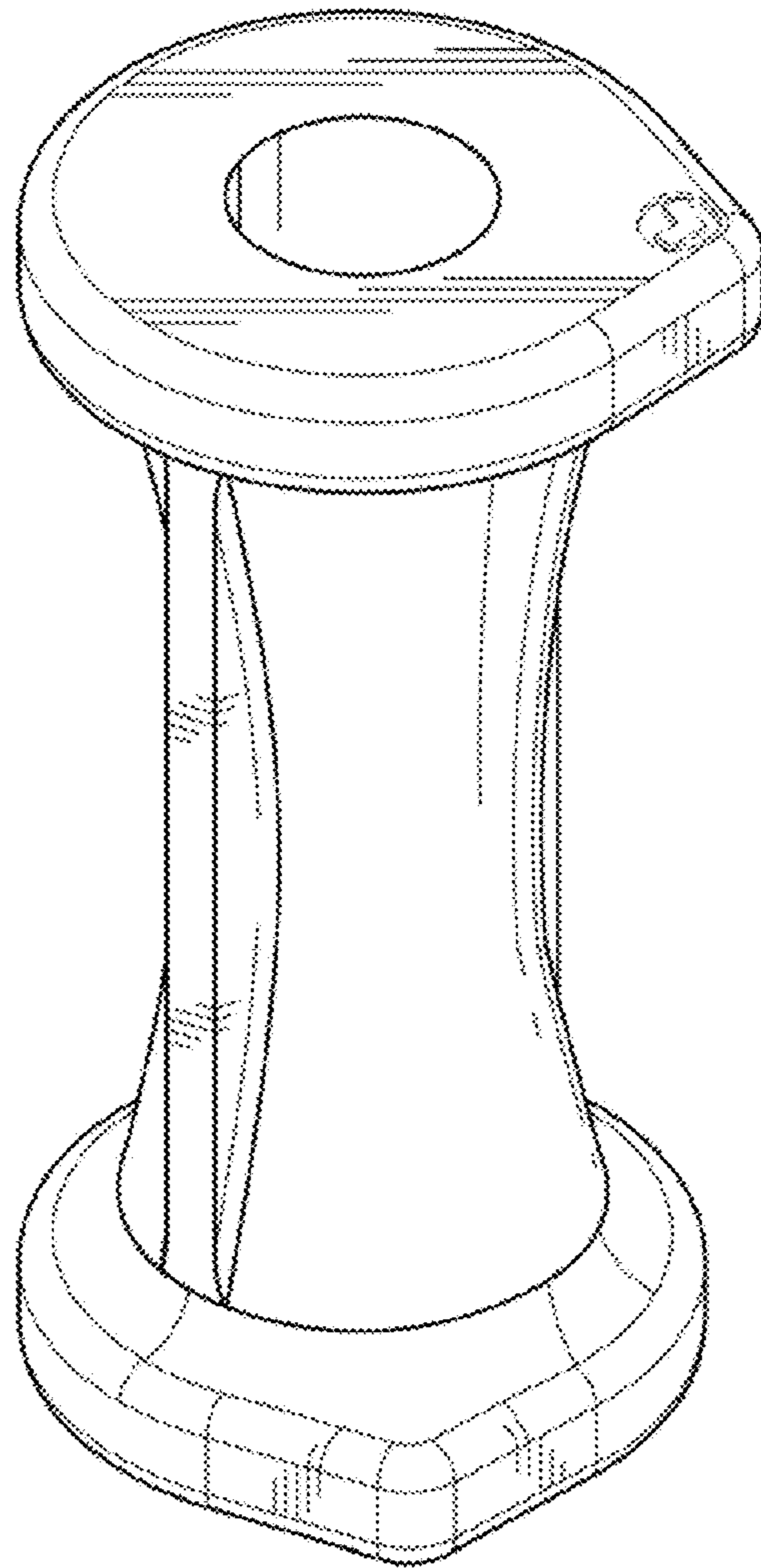


FIG. 1

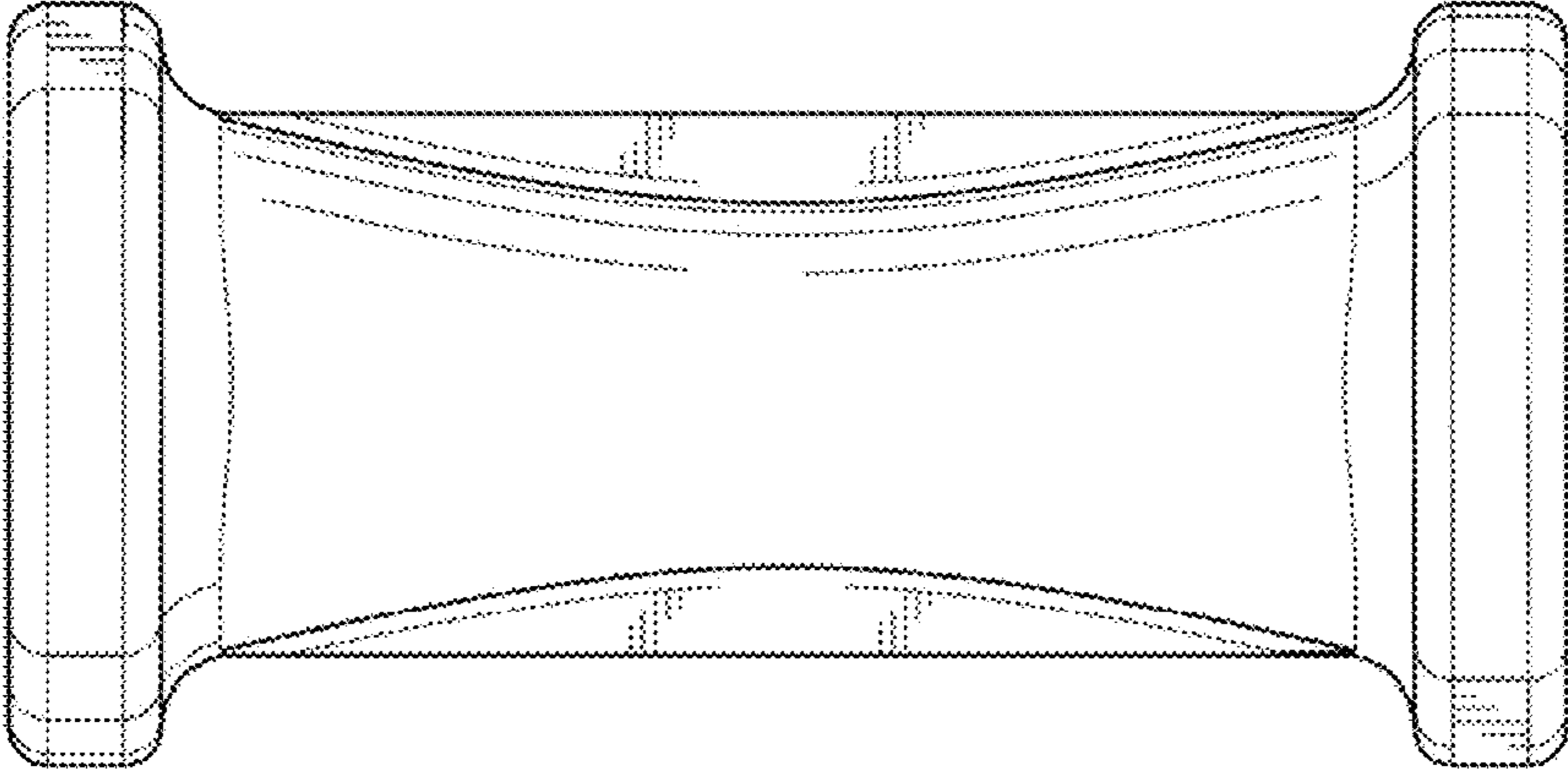


FIG. 3

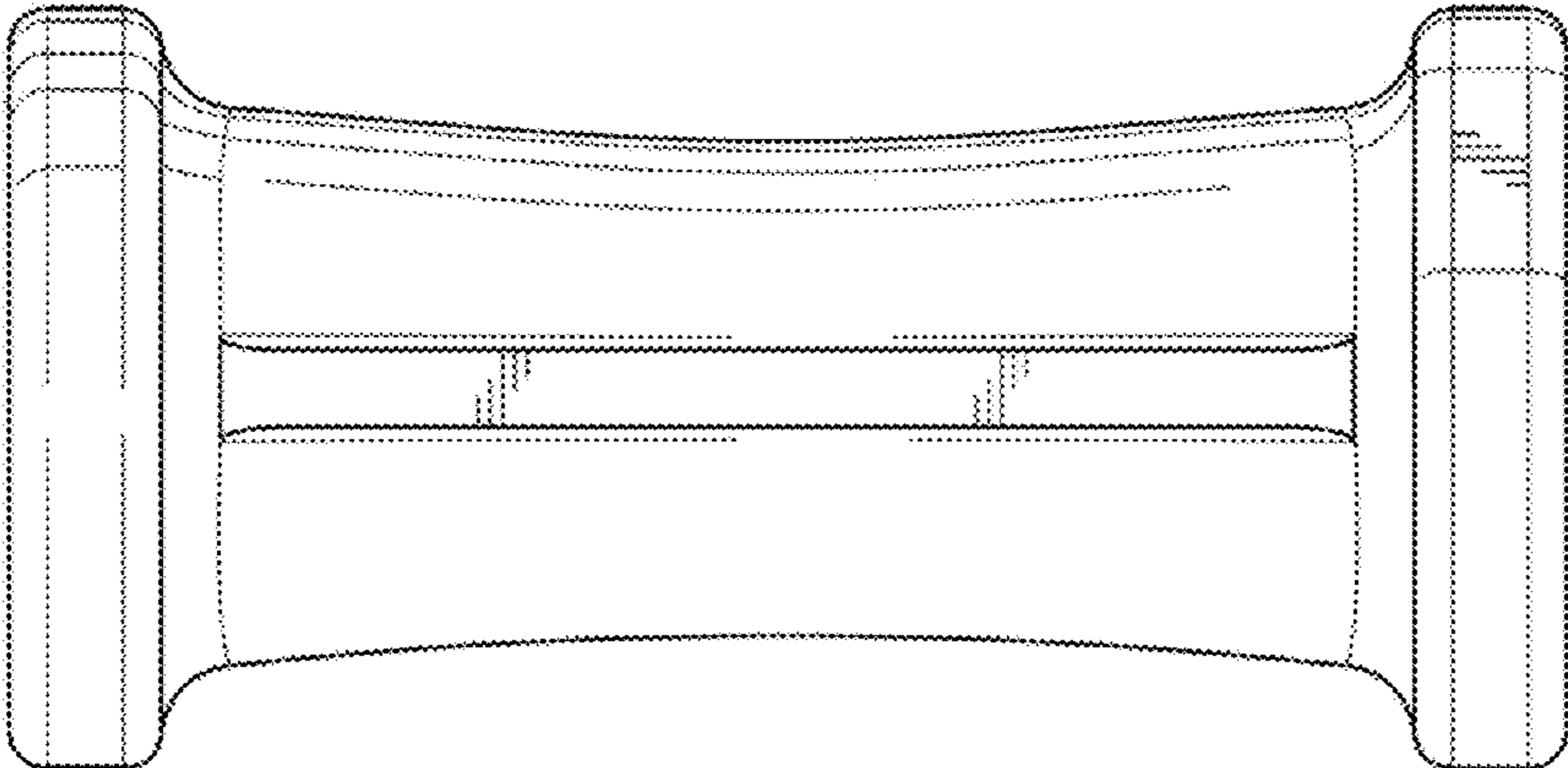


FIG. 2

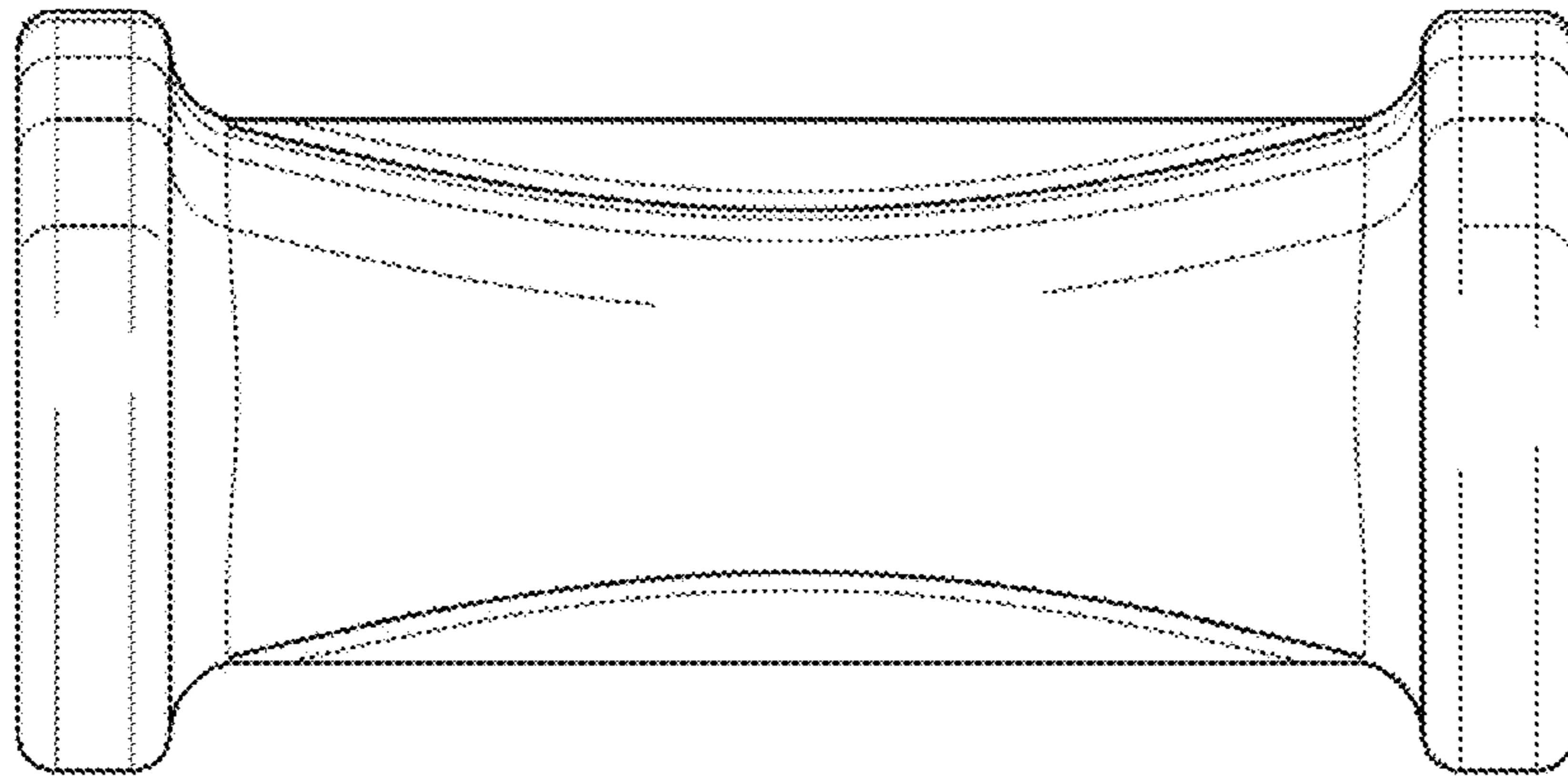


FIG. 4

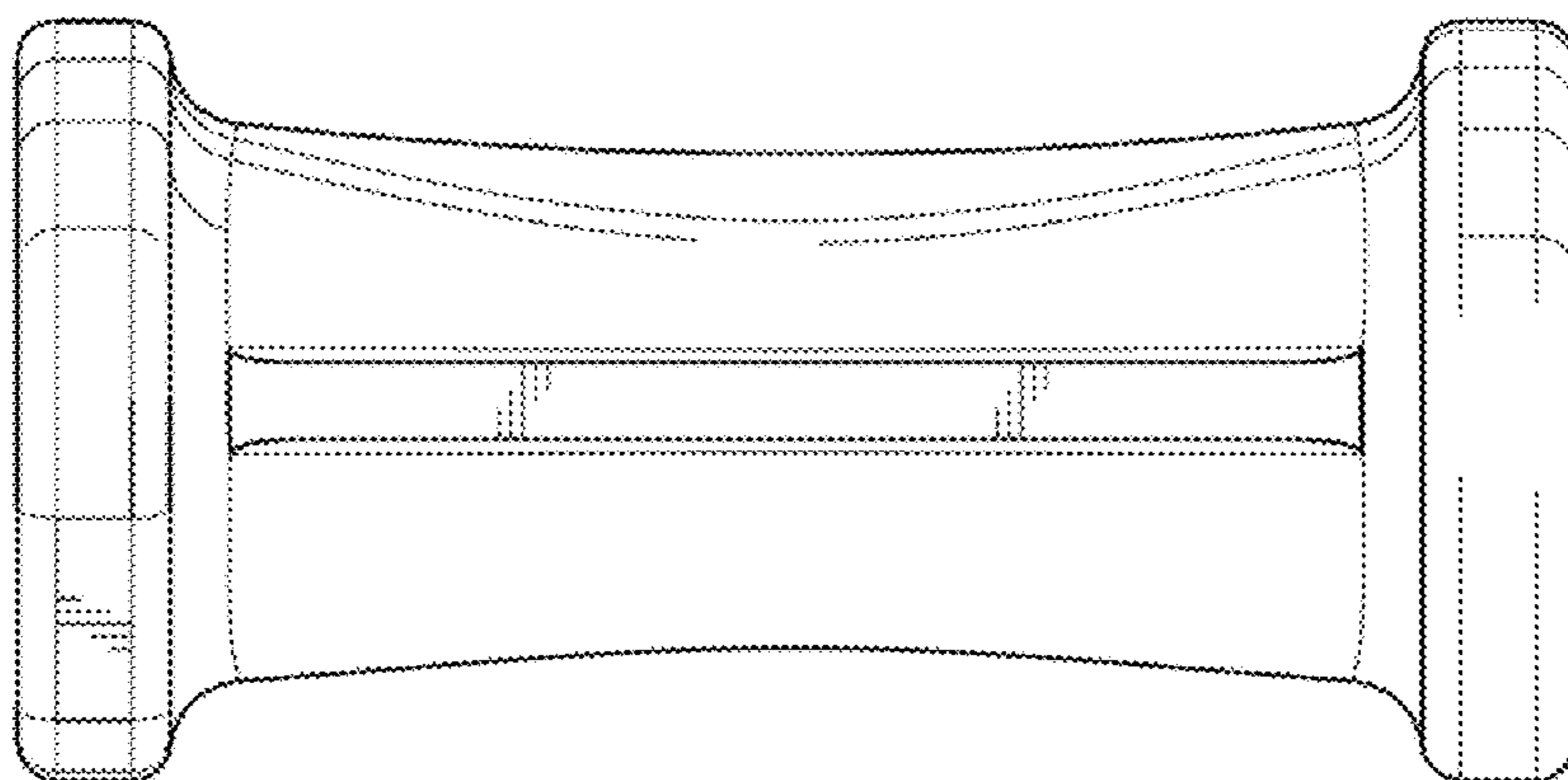


FIG. 5

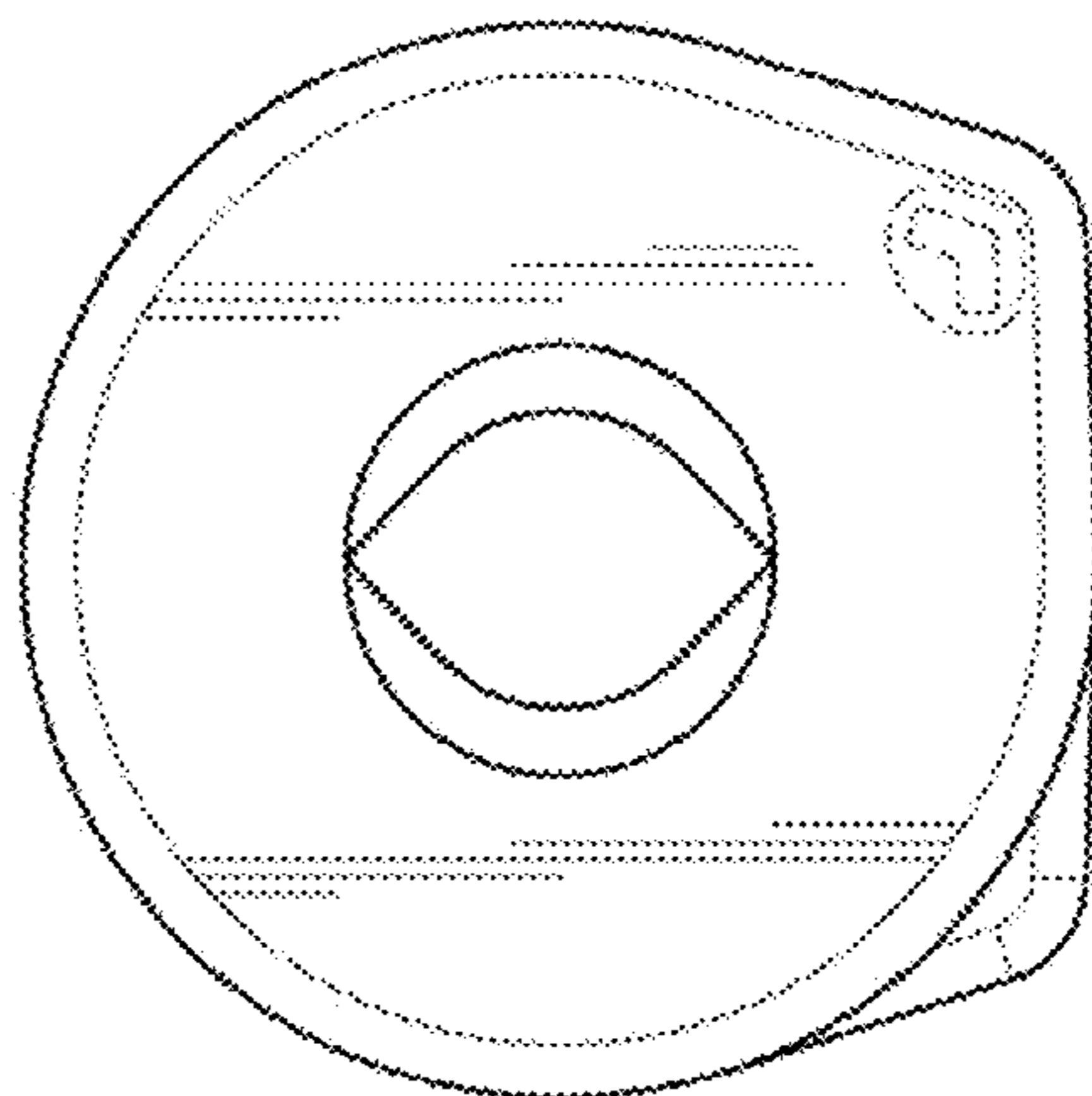


FIG. 6

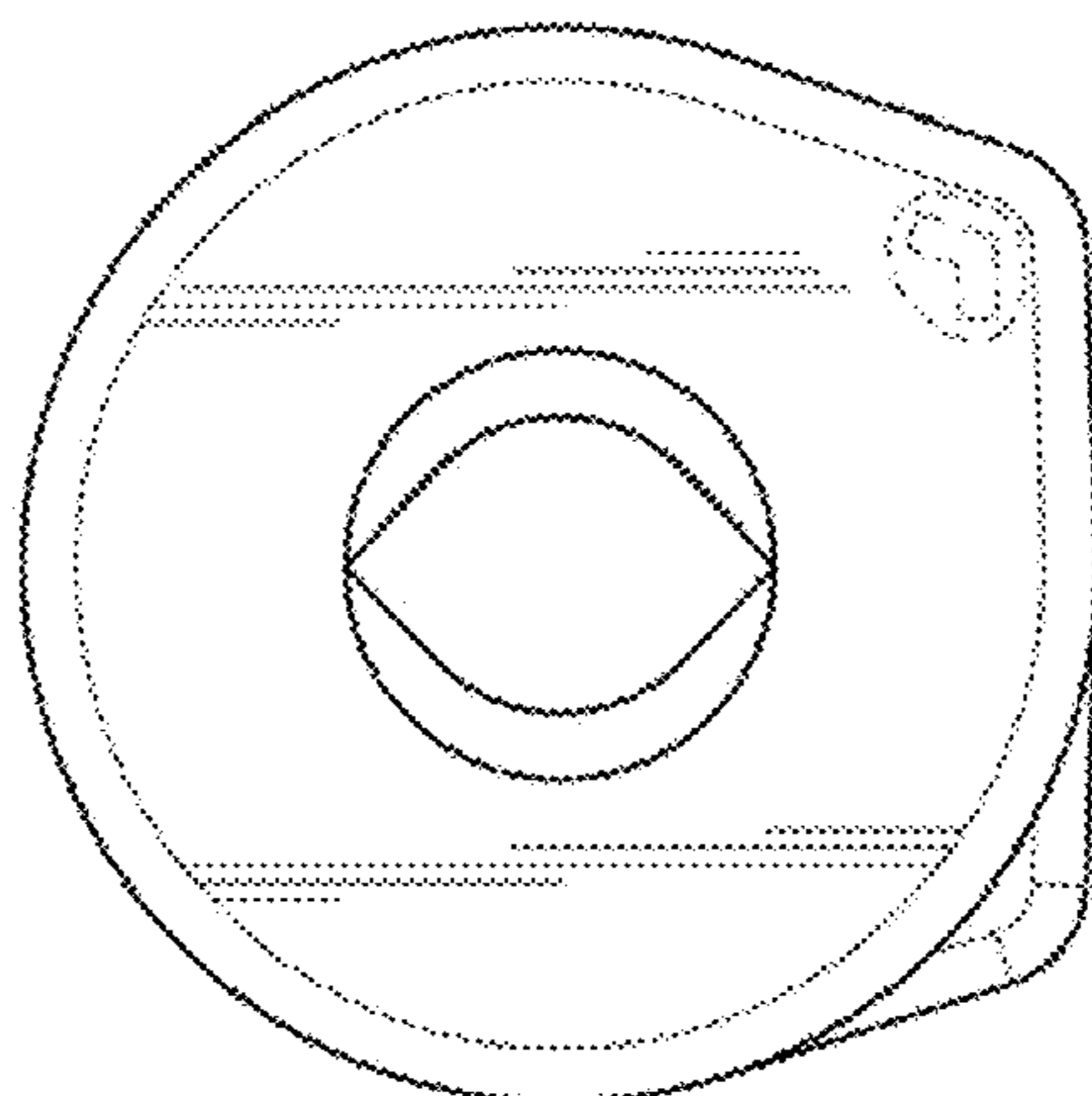


FIG. 7