



US00D726872S

(12) **United States Design Patent**
Thurgood et al.

(10) **Patent No.:** **US D726,872 S**
(45) **Date of Patent:** **** Apr. 14, 2015**

(54) **HOSE NOZZLE**

D495,026 S 8/2004 Fulwider
D498,515 S 11/2004 Wilson
D677,362 S * 3/2013 Christopher D23/223

(71) Applicant: **Orbit Irrigation Products, Inc.**, North Salt Lake, UT (US)

(72) Inventors: **Jeffrey C. Thurgood**, Syracuse, UT (US); **Andrew M. Urry**, Draper, UT (US)

(73) Assignee: **Orbit Irrigation Products, Inc.**, North Salt Lake, UT (US)

(**) Term: **14 Years**

(21) Appl. No.: **29/482,999**

(22) Filed: **Feb. 24, 2014**

(51) **LOC (10) Cl.** **23-01**

(52) **U.S. Cl.**
USPC **D23/223**

(58) **Field of Classification Search**
USPC D23/213, 223, 226; 239/525–527, 459, 239/558, 548

See application file for complete search history.

(56) **References Cited**

U.S. PATENT DOCUMENTS

D369,207 S *	4/1996	Wang	D23/223
D373,813 S *	9/1996	Guo	D23/223
D422,339 S	4/2000	Ericksen		
D422,682 S	4/2000	Ericksen		
D432,628 S	10/2000	Chao		
6,216,965 B1	4/2001	Chao		
6,260,774 B1	7/2001	Erickson		
D451,981 S	12/2001	Ericksen		
D455,817 S *	4/2002	Huang	D23/223
D461,228 S *	8/2002	Huang	D23/226
6,592,057 B1	7/2003	Ericksen		
D482,428 S	11/2003	Fulwider		
D494,656 S	8/2004	Hudman		

OTHER PUBLICATIONS

Ray Padula (disclosed, sold or offered for sale on or before May of 2008).

Orbit Irrigation Products, Inc. (disclosed, sold or offered for sale on or before November of 2008).

Orbit Irrigation Products, Inc. (disclosed, sold or offered for sale on or before December of 2009).

Flexon Industries (disclosed, sold or offered for sale on or before June of 2011).

Melnor, Inc. (disclosed, sold or offered for sale on or before April of 2013).

(Continued)

Primary Examiner — Robin V Webster

(74) *Attorney, Agent, or Firm* — Austin Rapp & Hardman

(57) **CLAIM**

The ornamental design for a hose nozzle, as shown and described.

DESCRIPTION

FIG. 1 is an elevated perspective view of a hose nozzle, according to our new design;

FIG. 2 is a front view of the hose nozzle shown in FIG. 1;

FIG. 3 is a rear view of the hose nozzle shown in FIG. 1;

FIG. 4 is a top view of the hose nozzle shown in FIG. 1;

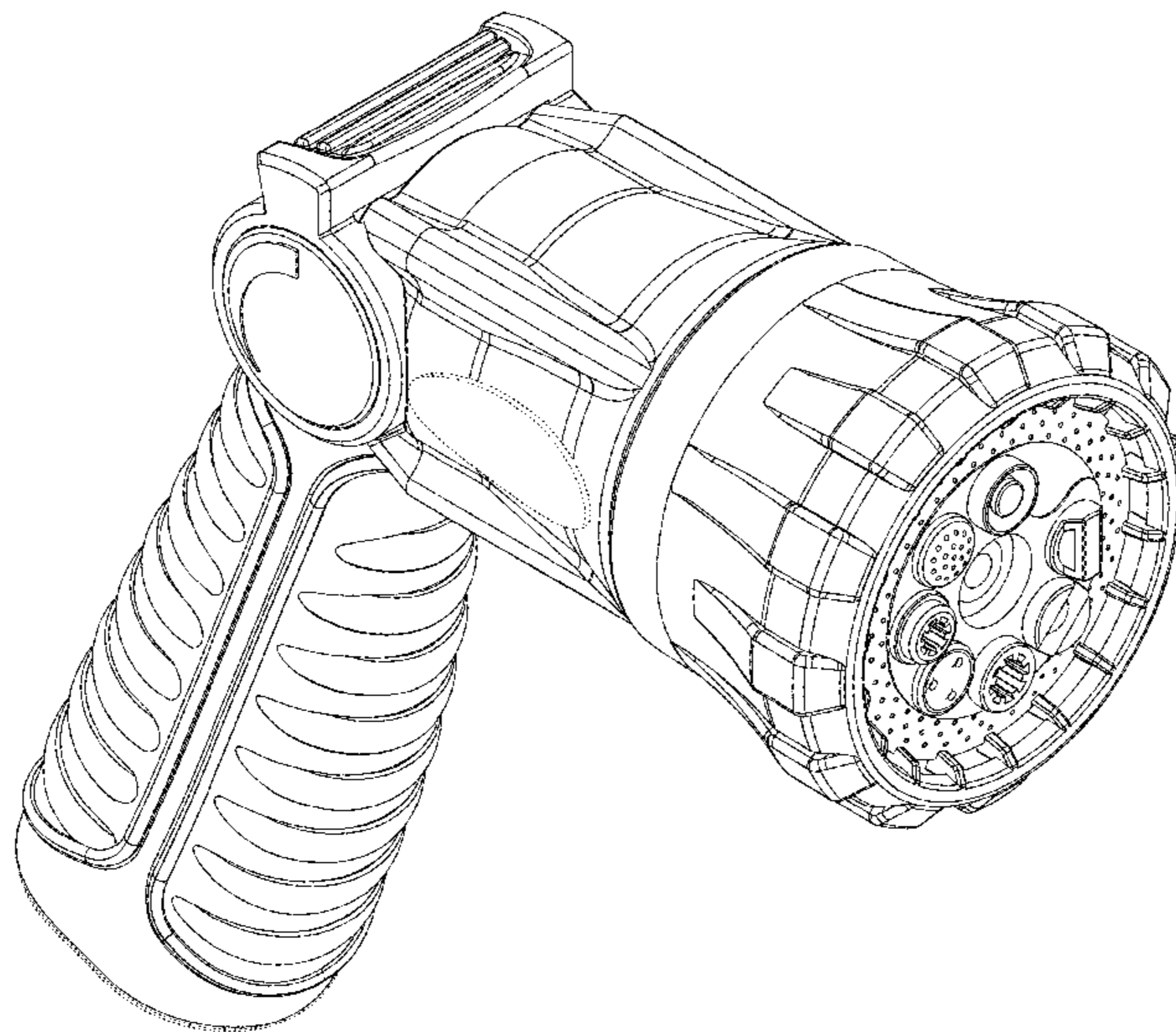
FIG. 5 is a bottom view of the hose nozzle shown in FIG. 1;

FIG. 6 is a first side view of the hose nozzle shown in FIG. 1; and,

FIG. 7 is a second side view of the hose nozzle shown in FIG. 1.

The portions shown in broken lines form no part of the claimed design. Regions surrounded by broken lines are also unclaimed.

1 Claim, 5 Drawing Sheets



(56)

References Cited

OTHER PUBLICATIONS

Melnor, Inc. (disclosed, sold or offered for sale on or before before April of 2013).

Gilmour Ltd. (disclosed, sold or offered for sale on or before April of 2013).

* cited by examiner

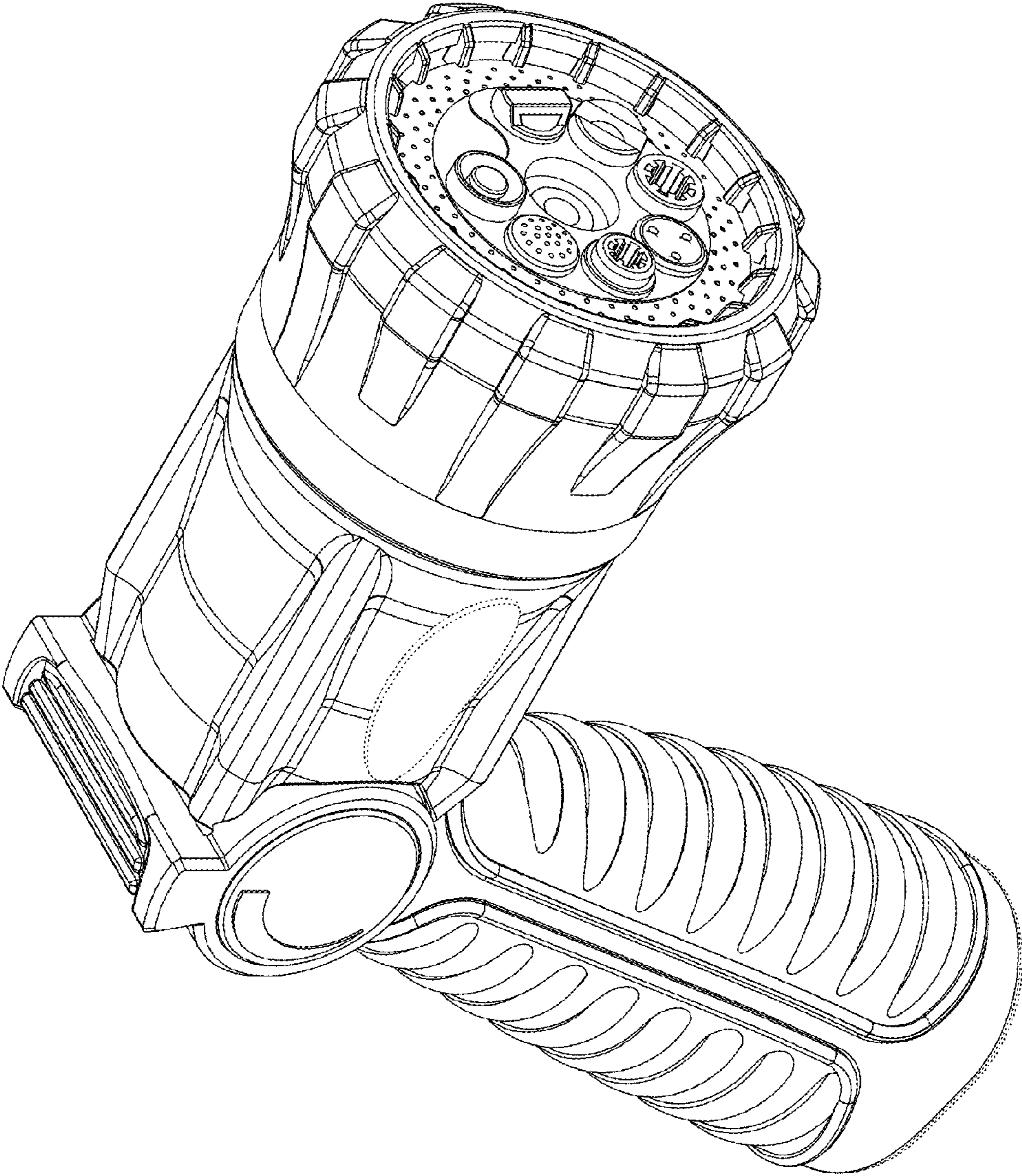


FIG. 1

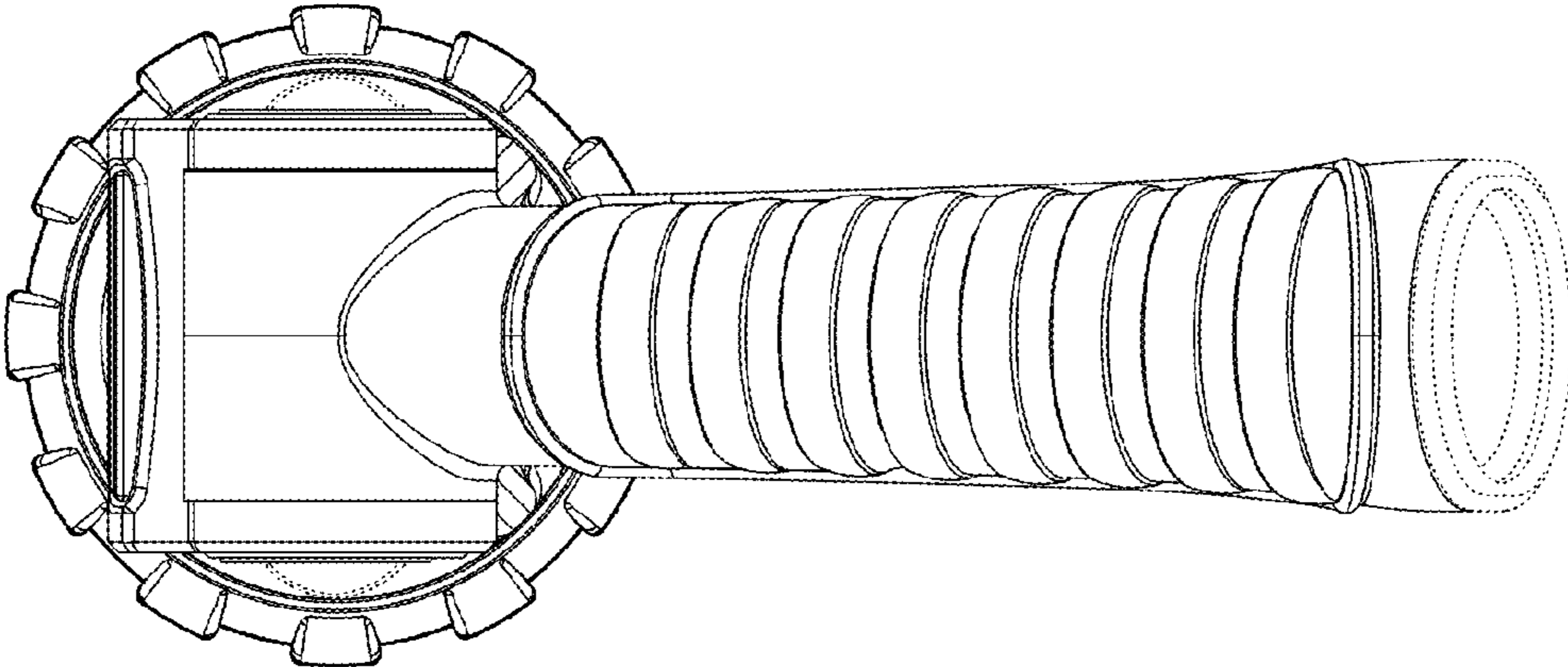


FIG. 3

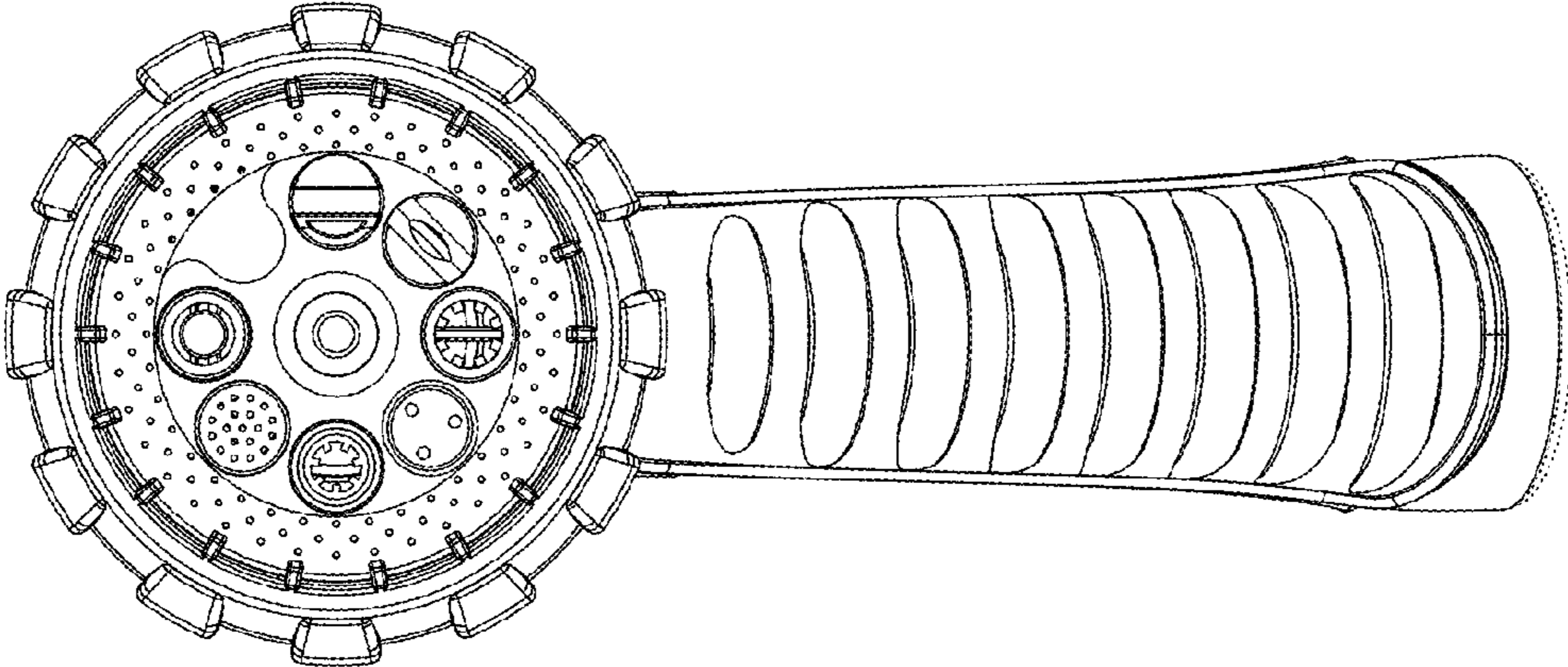


FIG. 2

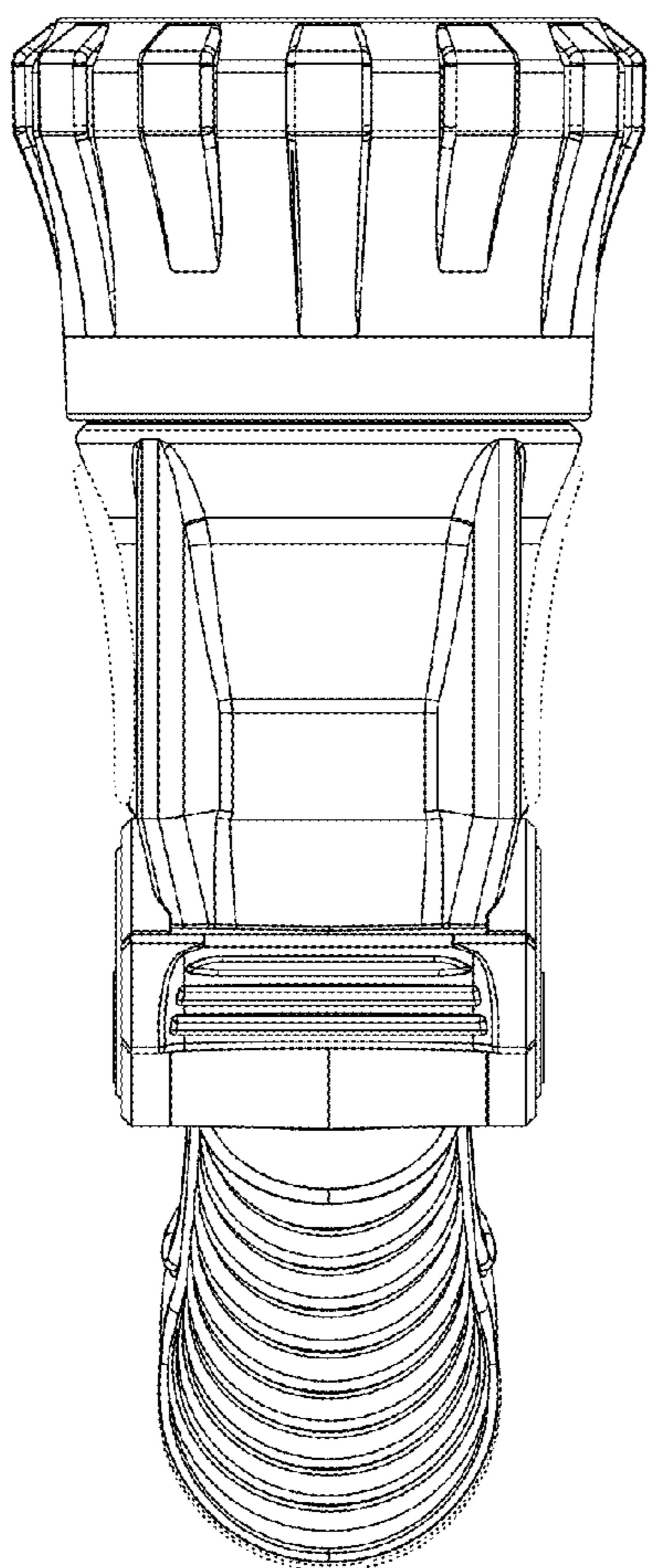


FIG. 4

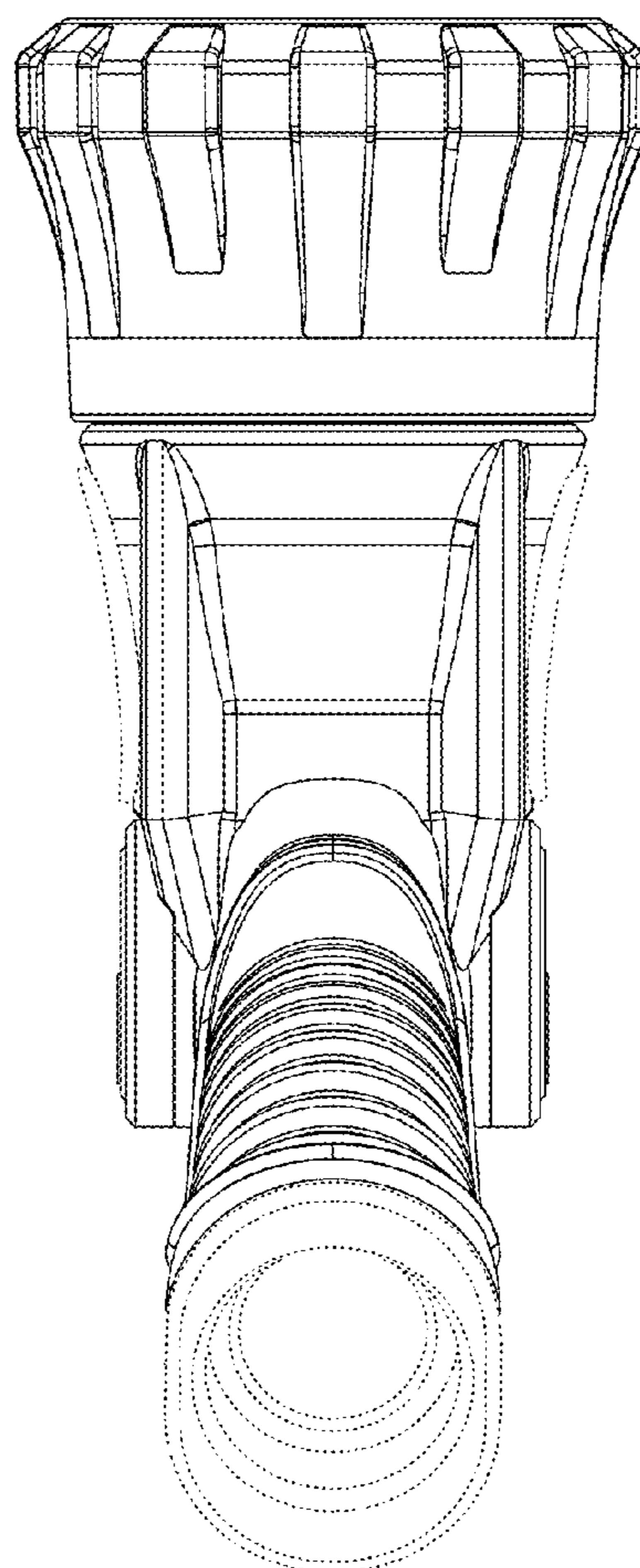


FIG. 5

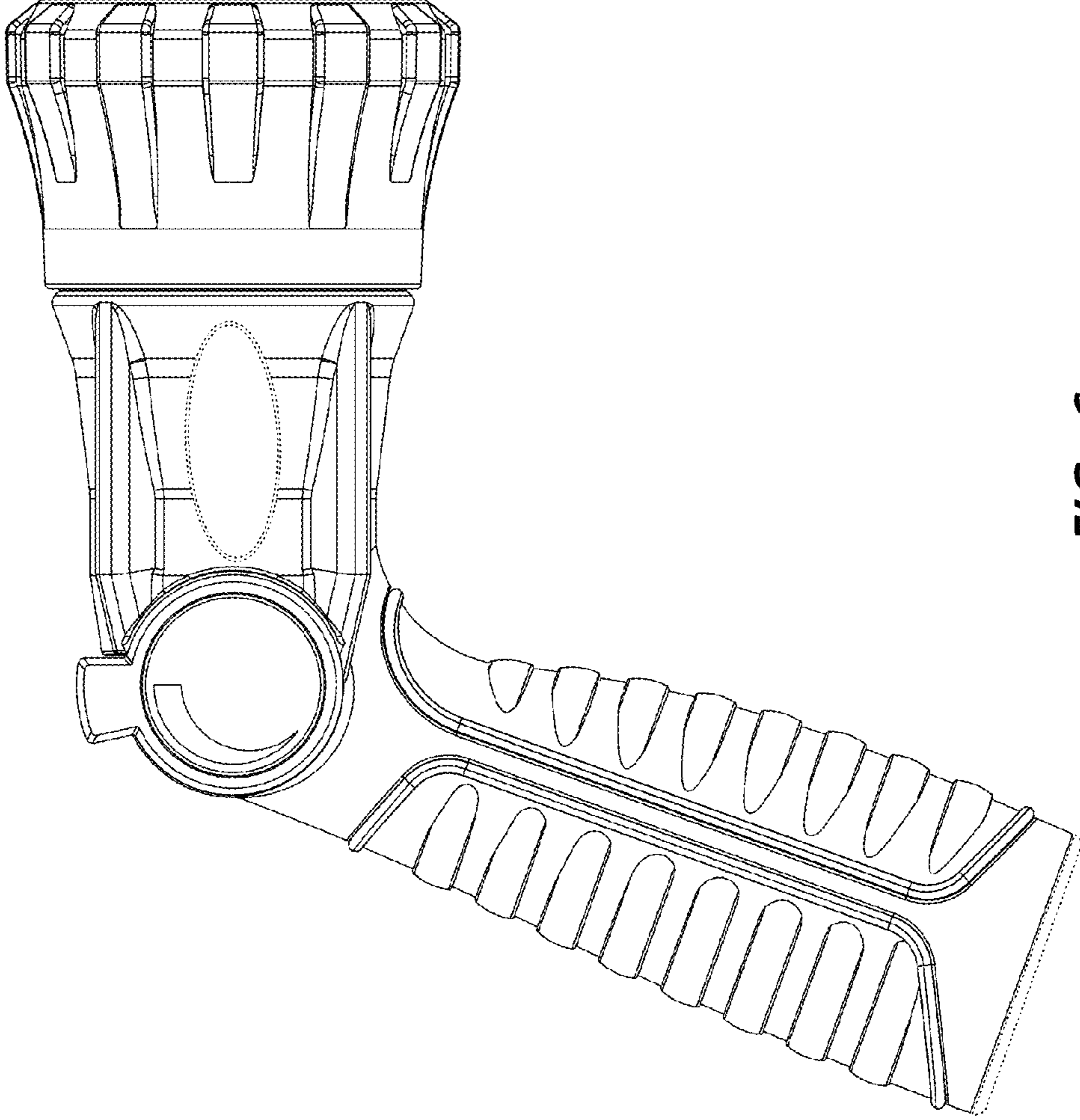


FIG. 6

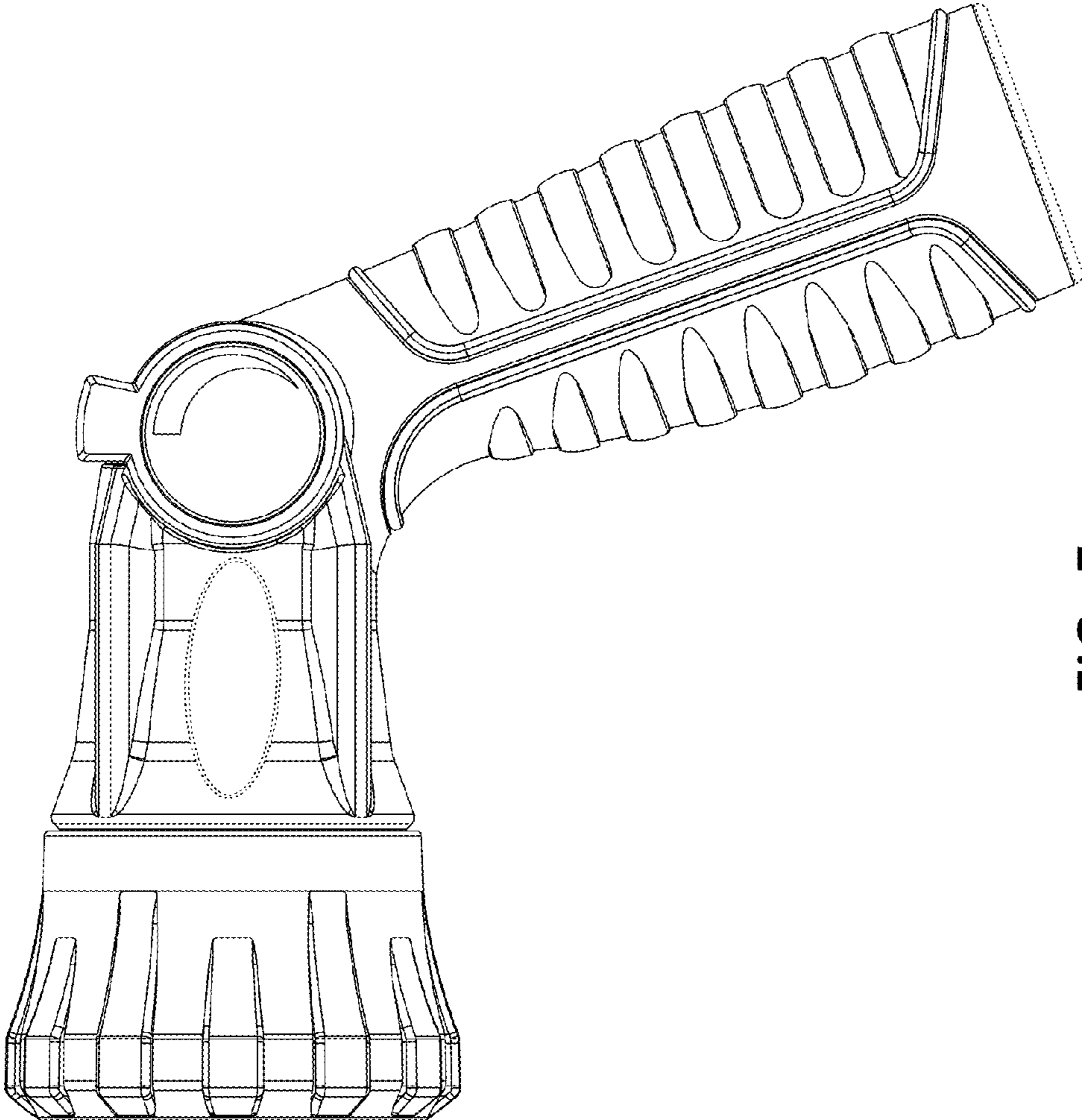


FIG. 7