



US00D726871S

(12) **United States Design Patent**
Keynan

(10) **Patent No.:** **US D726,871 S**
(45) **Date of Patent:** **** Apr. 14, 2015**

(54) **WATER SPRINKLER**

(56) **References Cited**

(71) Applicant: **NaanDanJain Irrigation Ltd.**, Kibbutz Na'an (IL)

U.S. PATENT DOCUMENTS

(72) Inventor: **Tzafrir Keynan**, Kibbutz Malkia (IL)

D303,138 S *	8/1989	Smith	D23/214
6,585,054 B1 *	7/2003	Thomas et al.	169/37
6,976,543 B1 *	12/2005	Fischer	169/37
D516,669 S *	3/2006	Antonucci et al.	D23/214
7,021,392 B2 *	4/2006	Bentzien et al.	169/37
7,070,122 B2 *	7/2006	Burcham et al.	239/231
RE44,329 E *	7/2013	Pounder et al.	169/37

(73) Assignee: **NaanDanJain Irrigation Ltd.**, Kibbutz Na'an (IL)

* cited by examiner

(**) Term: **14 Years**

Primary Examiner — Robin V Webster

(21) Appl. No.: **29/479,351**

(74) *Attorney, Agent, or Firm* — Vorys, Sater, Seymour and Pease LLP; Susanne M. Hopkins; William L. Klima

(22) Filed: **Jan. 15, 2014**

(57) **CLAIM**

The ornamental design for water sprinkler, as shown and described.

(30) **Foreign Application Priority Data**

DESCRIPTION

Jul. 15, 2013 (IL) 54334

(51) **LOC (10) Cl.** **23-01**

FIG. 1 is a front perspective view of a water sprinkler, FIG. 2 is a front elevational view thereof, the rear view being a mirror image,

(52) **U.S. Cl.**
USPC **D23/214**

FIG. 3 is a side elevational view thereof, the other side view being a mirror image,

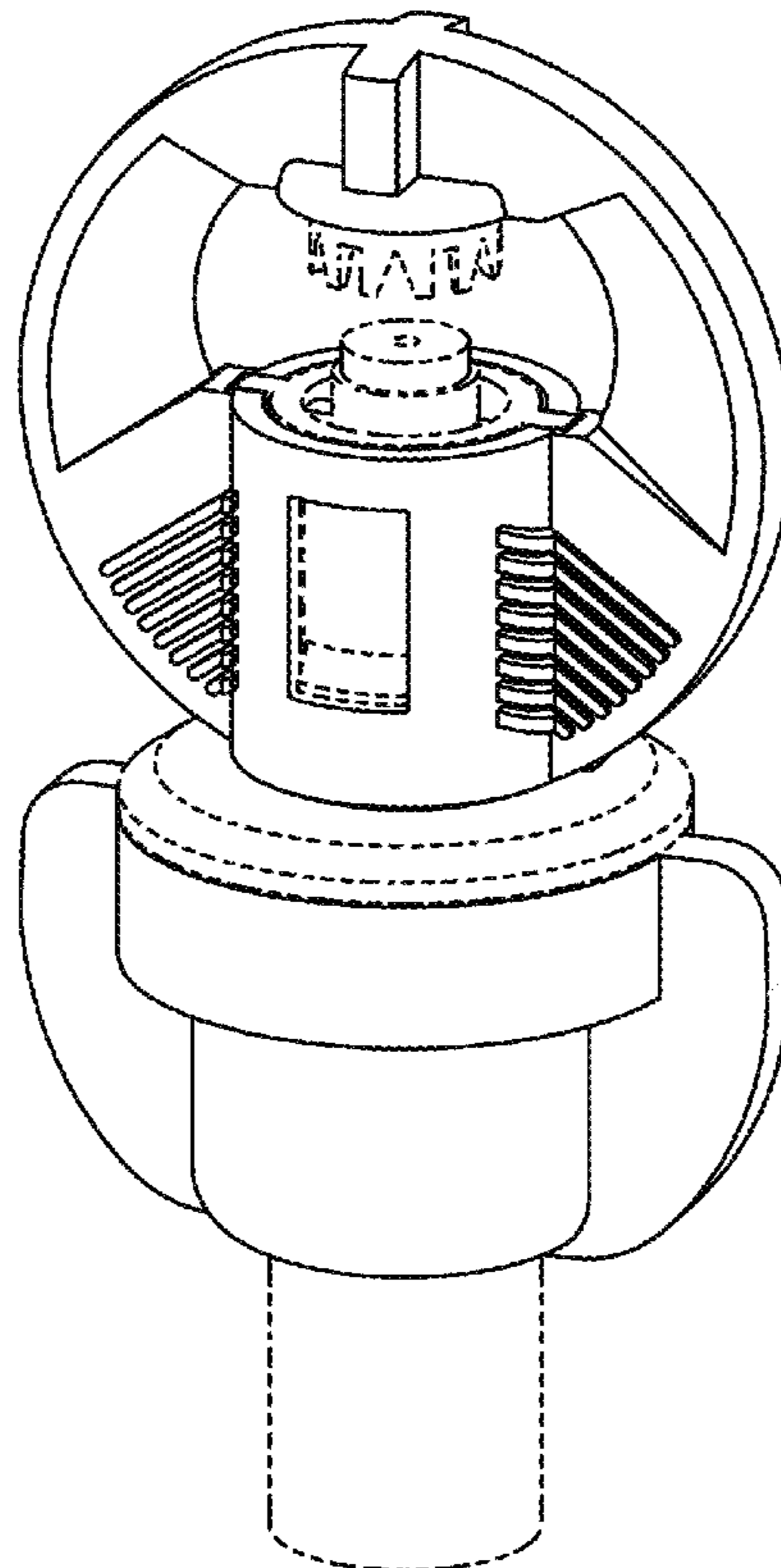
(58) **Field of Classification Search**
USPC D23/213, 214, 217; 239/200–206, 239/DIG. 1; 169/37

FIG. 4 is a top planar view thereof; and, FIG. 5 is a bottom planar view thereof.

The parts delineated in broken lines are not part of the claimed design.

See application file for complete search history.

1 Claim, 5 Drawing Sheets



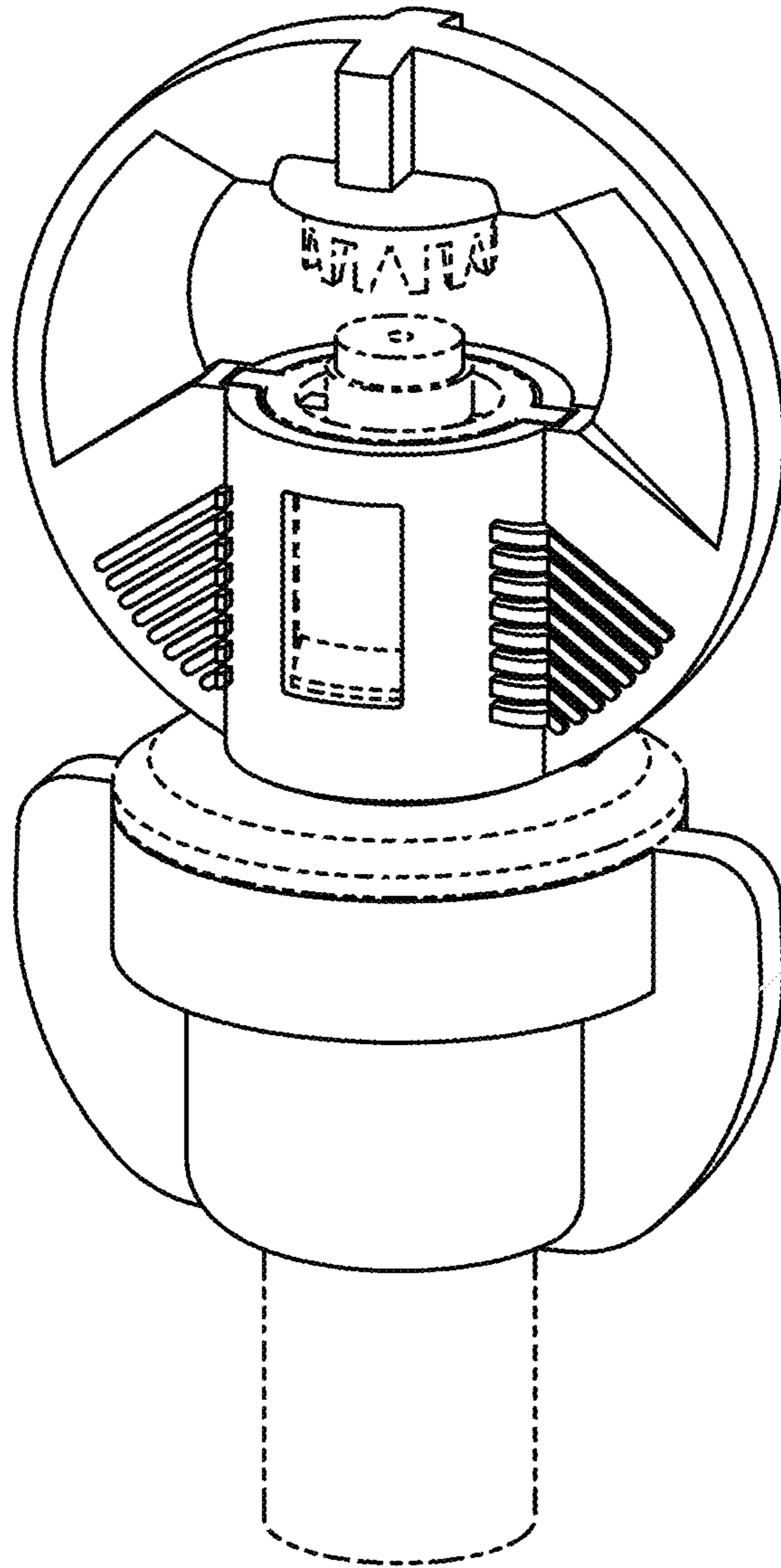


FIG.1

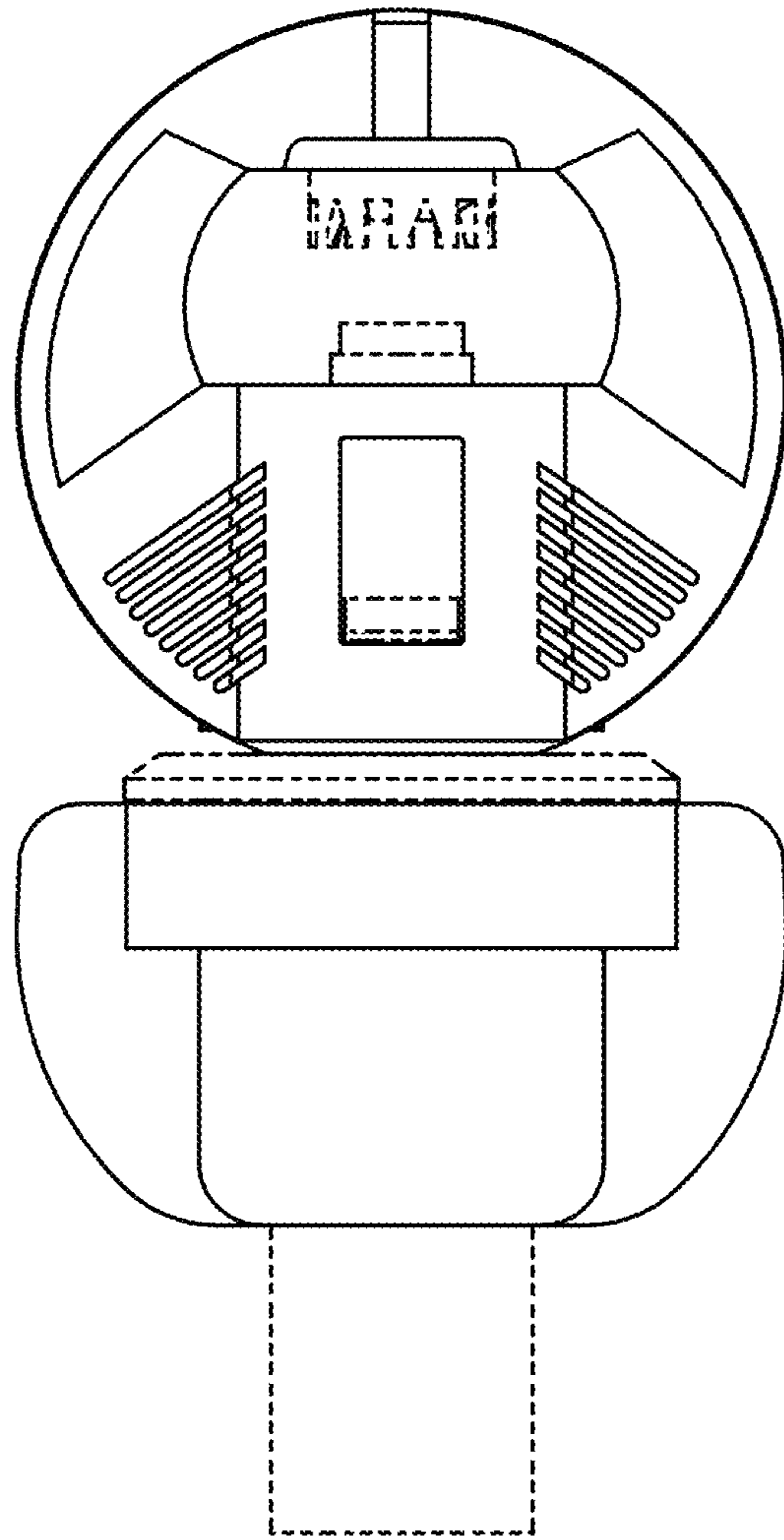


FIG. 2

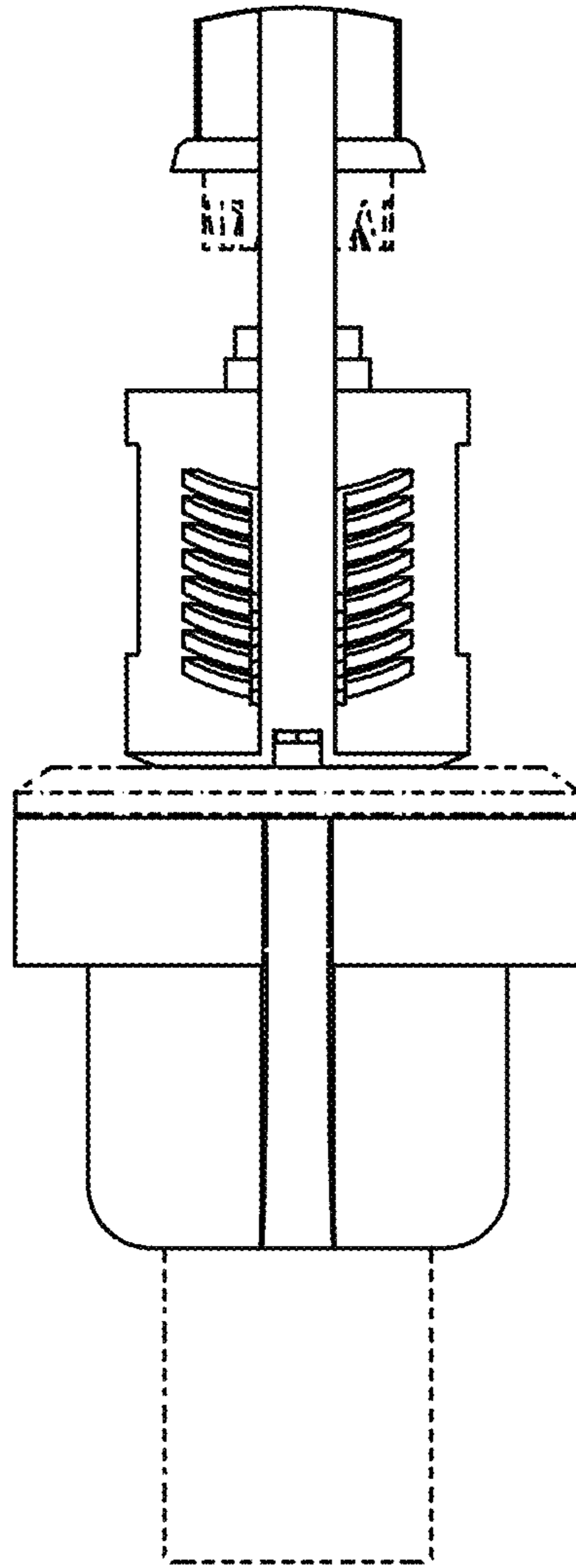


FIG.3

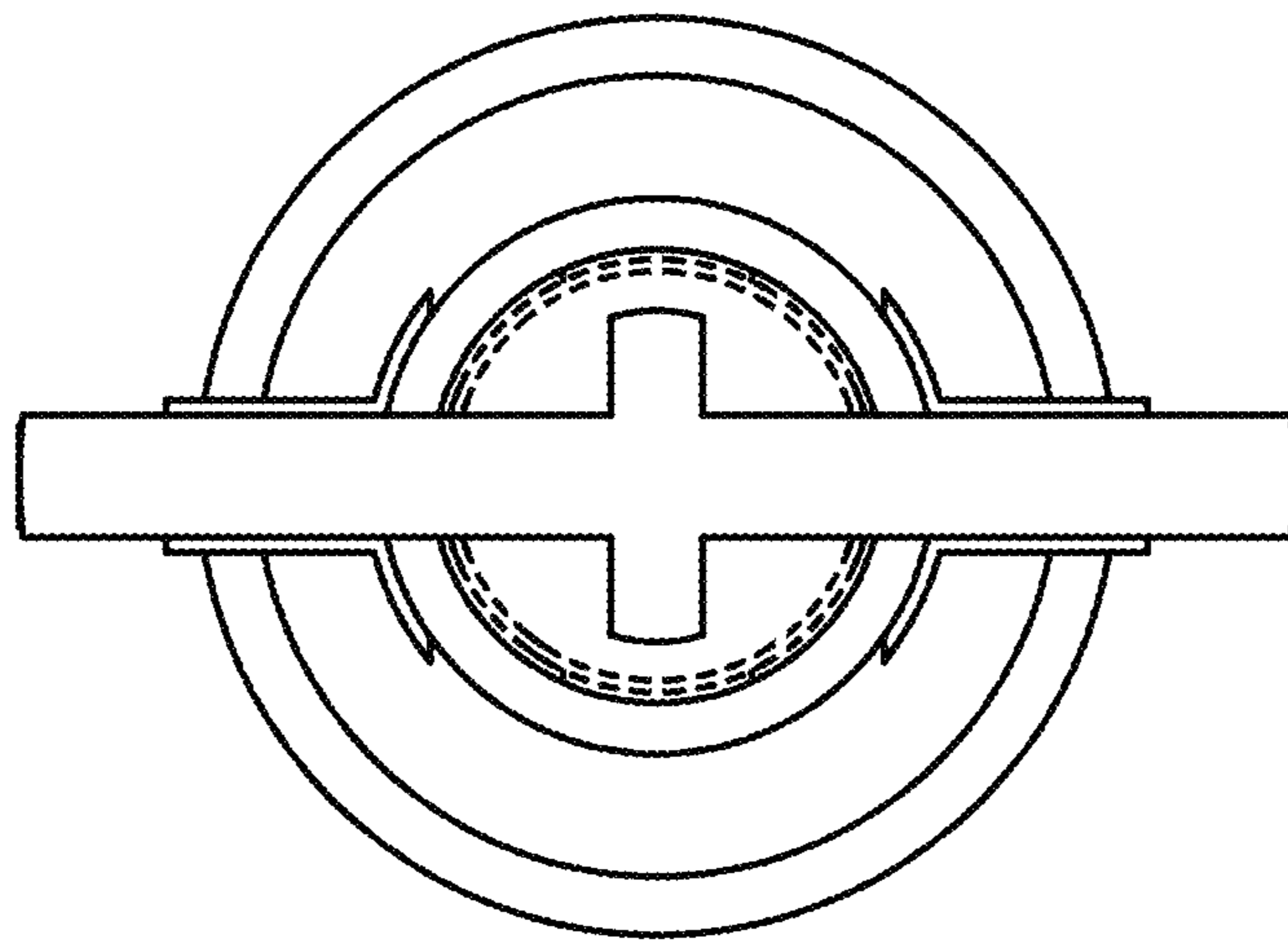


FIG.4

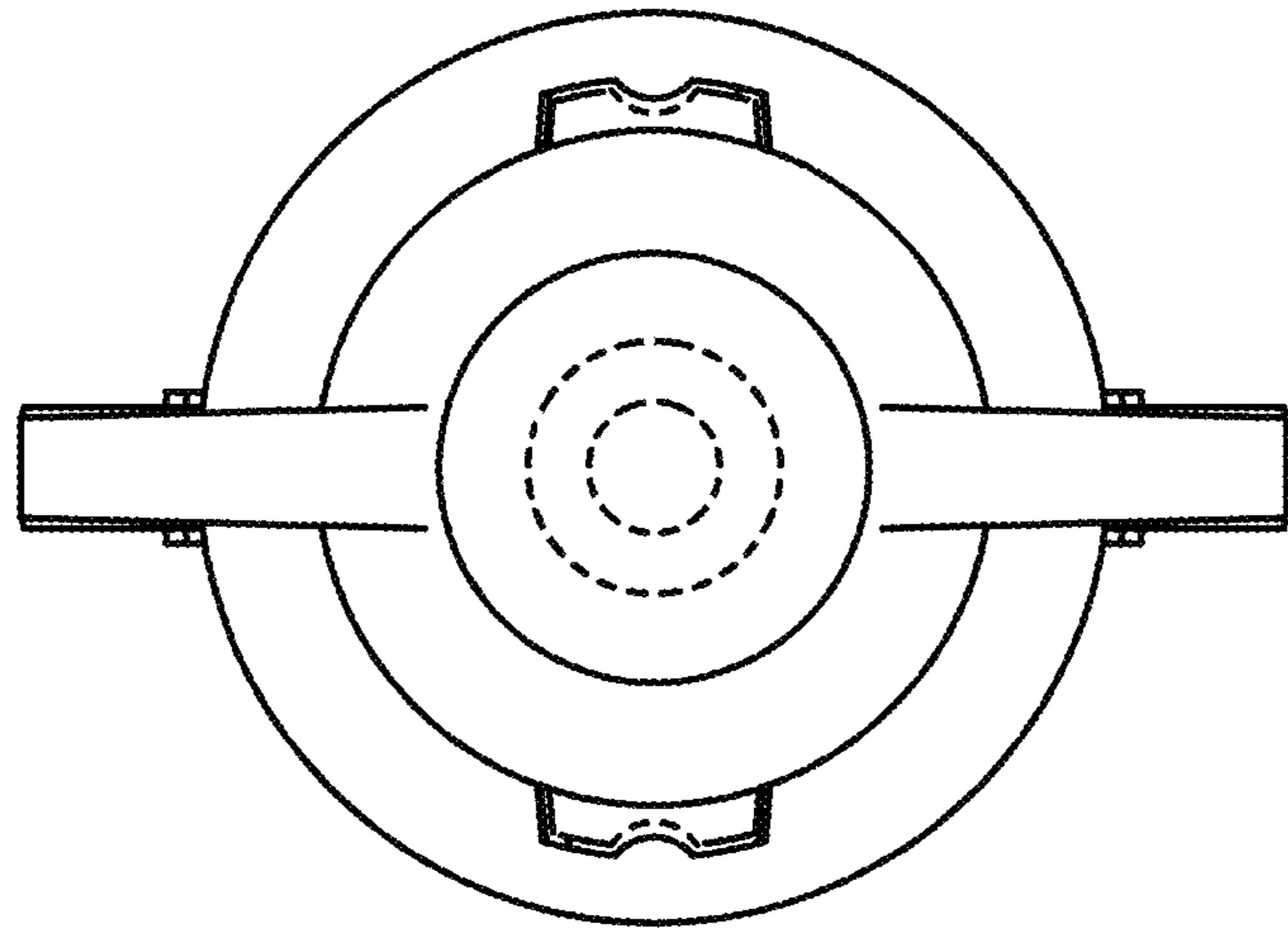


FIG.5