



US00D726869S

(12) **United States Design Patent**
Lepine et al.

(10) **Patent No.:** **US D726,869 S**
(45) **Date of Patent:** **** Apr. 14, 2015**

- (54) **FILTER ELEMENT**
- (71) Applicants: **Kristopher W. Lepine**, Kearney, NE (US); **Jeffrey E. Rogers**, Kearney, NE (US)
- (72) Inventors: **Kristopher W. Lepine**, Kearney, NE (US); **Jeffrey E. Rogers**, Kearney, NE (US)
- (73) Assignee: **Baldwin Filters, Inc.**, Kearney, NE (US)
- (**) Term: **14 Years**
- (21) Appl. No.: **29/459,065**
- (22) Filed: **Jun. 25, 2013**
- (51) **LOC (10) Cl.** **23-01**
- (52) **U.S. Cl.**
USPC **D23/209; D23/365**
- (58) **Field of Classification Search**
CPC B01D 27/08; B01D 35/30; B01D 27/00
USPC D23/207, 209, 365; 210/493.2, 497.01, 210/464; 55/498
See application file for complete search history.

(56) **References Cited**

U.S. PATENT DOCUMENTS

4,878,930	A *	11/1989	Manniso et al.	55/493
D317,965	S *	7/1991	Svensson	D23/209
D320,062	S *	9/1991	Meissner	D23/209
D321,745	S *	11/1991	Murrell	D23/209
5,336,405	A *	8/1994	Tang et al.	210/232
5,779,903	A *	7/1998	Smith et al.	210/440
6,158,592	A *	12/2000	Reinhart et al.	210/443
6,537,339	B2	3/2003	Schmitz et al.	
D477,659	S *	7/2003	Gieseke et al.	D23/365
6,626,299	B1	9/2003	Brown et al.	
D528,630	S *	9/2006	Booth	D23/209

7,232,522	B1 *	6/2007	Lasley et al.	210/232
D546,412	S *	7/2007	Kennedy et al.	D23/209
D626,208	S *	10/2010	Clements	D23/386
8,070,945	B2 *	12/2011	Stankowski et al.	210/232
8,167,966	B2 *	5/2012	Amirkhanian et al.	55/357
D666,704	S *	9/2012	Osendorf et al.	D23/365
D672,447	S *	12/2012	Yano et al.	D23/365
D691,252	S *	10/2013	Moredock et al.	D23/365
2008/0041026	A1	2/2008	Engel et al.	
2010/0037570	A1	2/2010	Osendorf et al.	
2010/0282652	A1	11/2010	Lepine et al.	

* cited by examiner

Primary Examiner — Robin V Webster

(74) *Attorney, Agent, or Firm* — Reinhart Boerner Van Deuren P.C.

(57) **CLAIM**

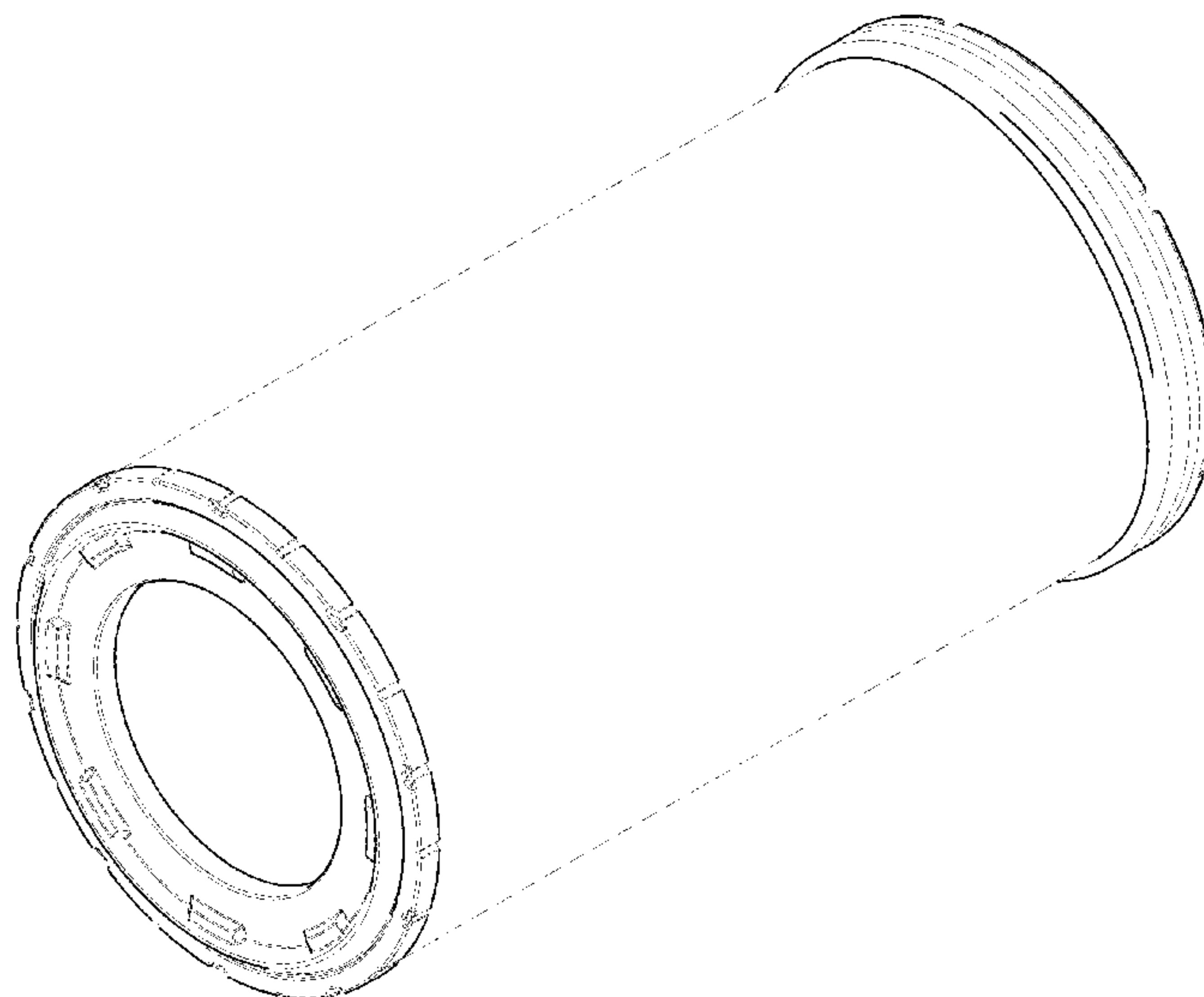
We claim the ornamental design for the filter element, as shown and described.

DESCRIPTION

FIG. 1 is a perspective view of the filter element;
 FIG. 2 is a partial perspective view thereof;
 FIG. 3 is a top view thereof;
 FIG. 4 is a side view thereof;
 FIG. 5 is a side view thereof showing the side opposite that shown in FIG. 4;
 FIG. 6 is a bottom view thereof;
 FIG. 7 is a front view thereof;
 FIG. 8 is a back view thereof;
 FIG. 9 is another perspective view of the filter element of FIG. 1; and,
 FIG. 10 is a partial perspective view thereof.

The use of broken lines in the aforementioned figures is for illustrative purposes only. The features shown in broken lines form no part of the claimed design.

1 Claim, 7 Drawing Sheets



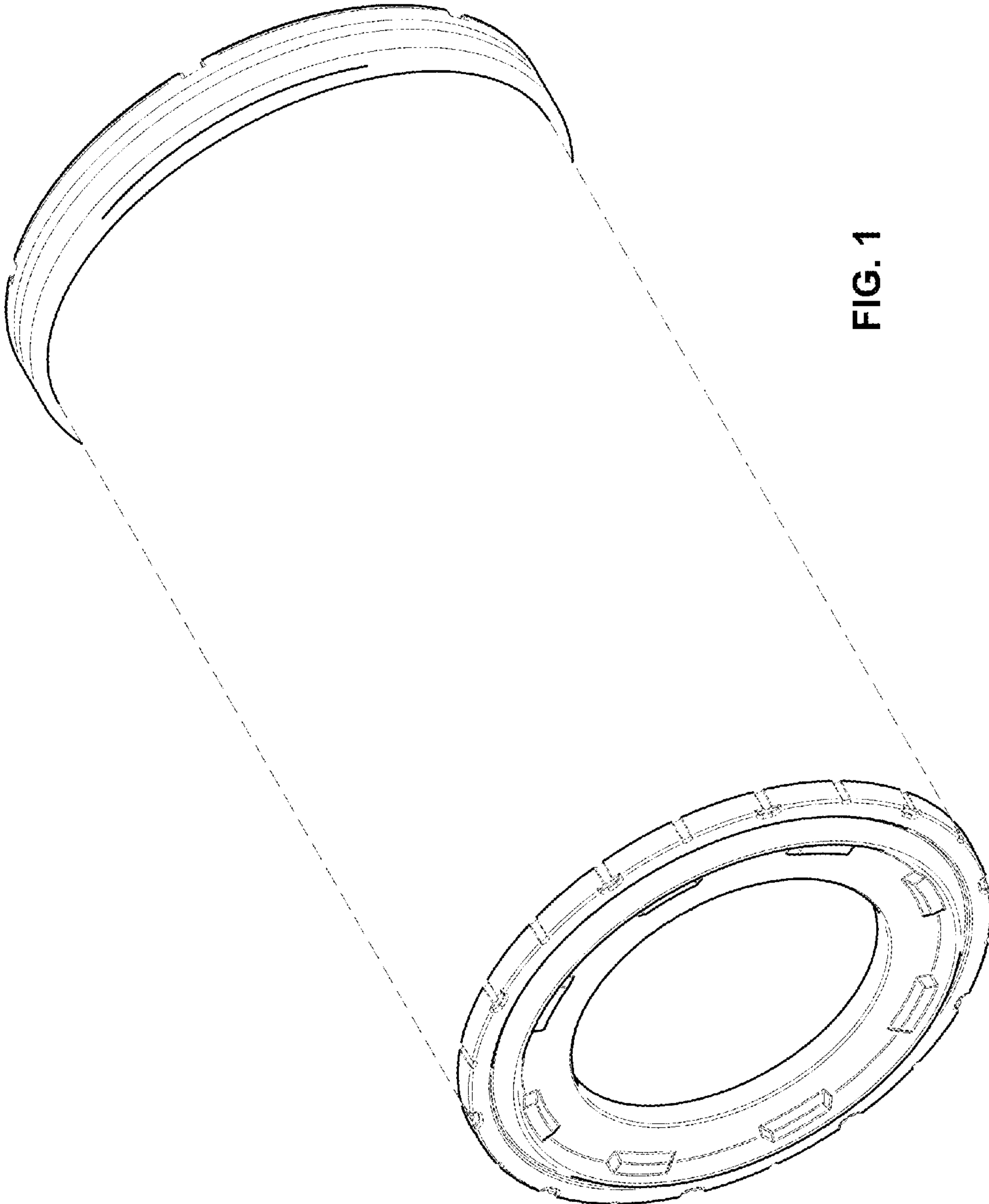


FIG. 1

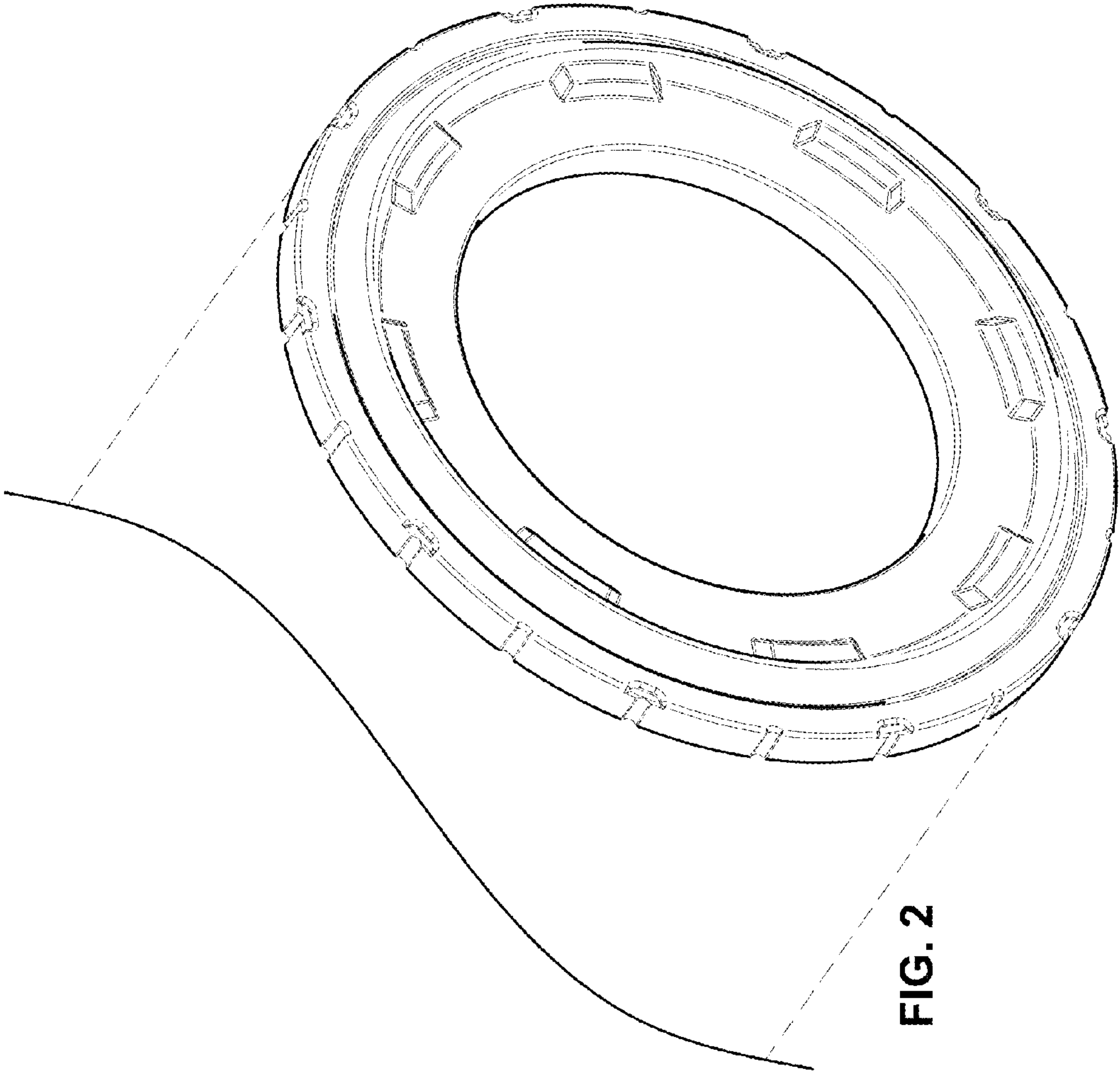


FIG. 3

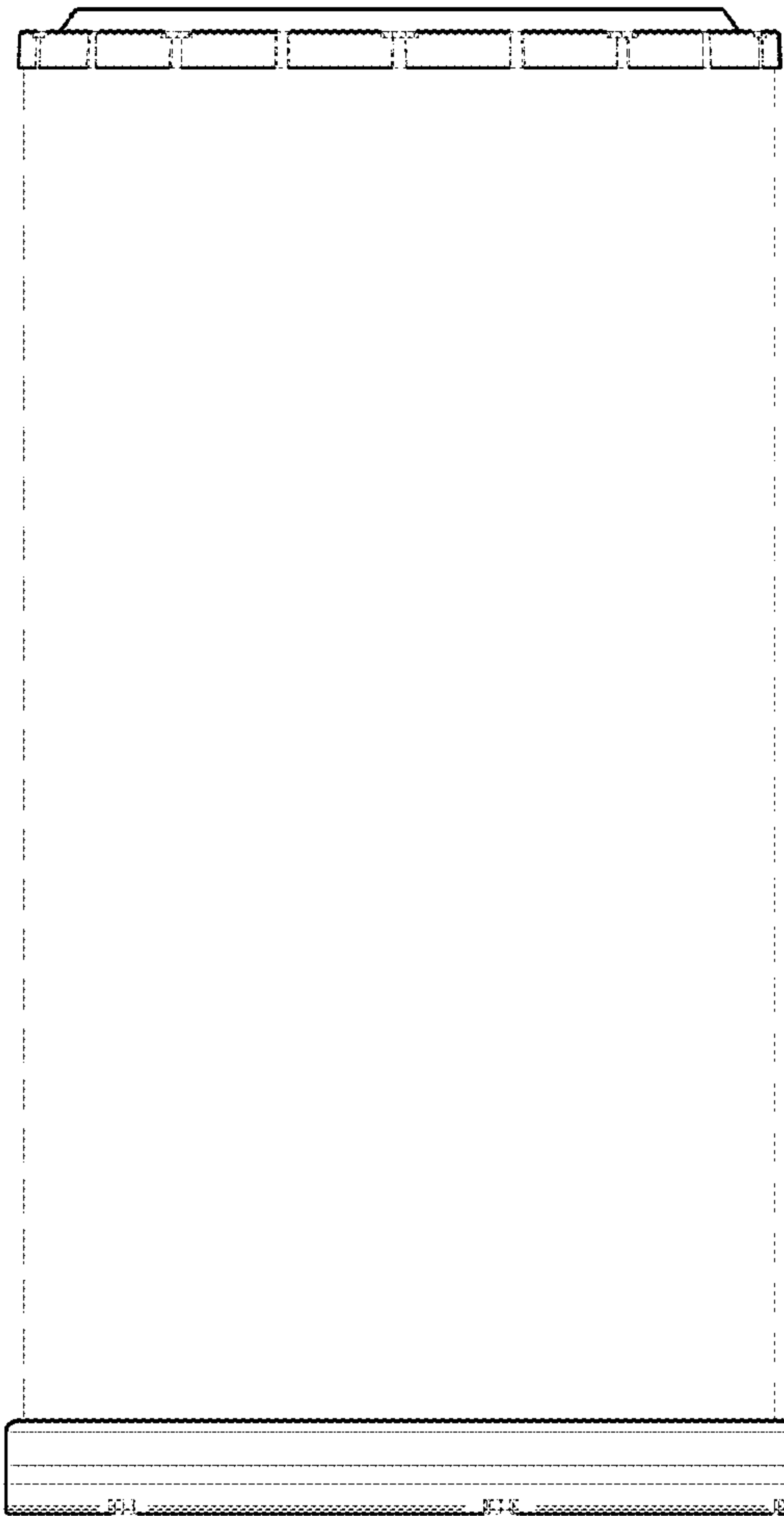
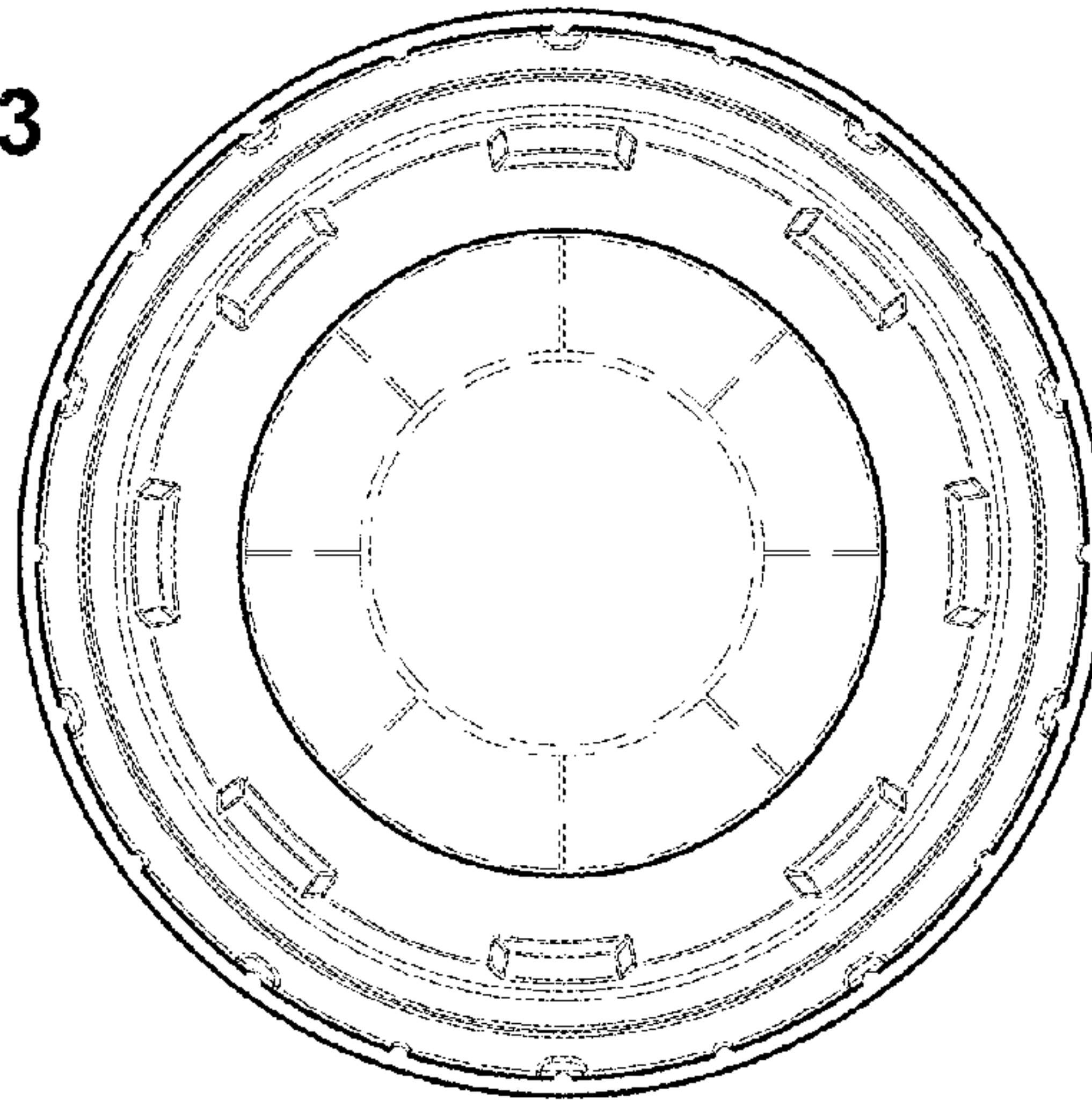


FIG. 4

FIG. 5

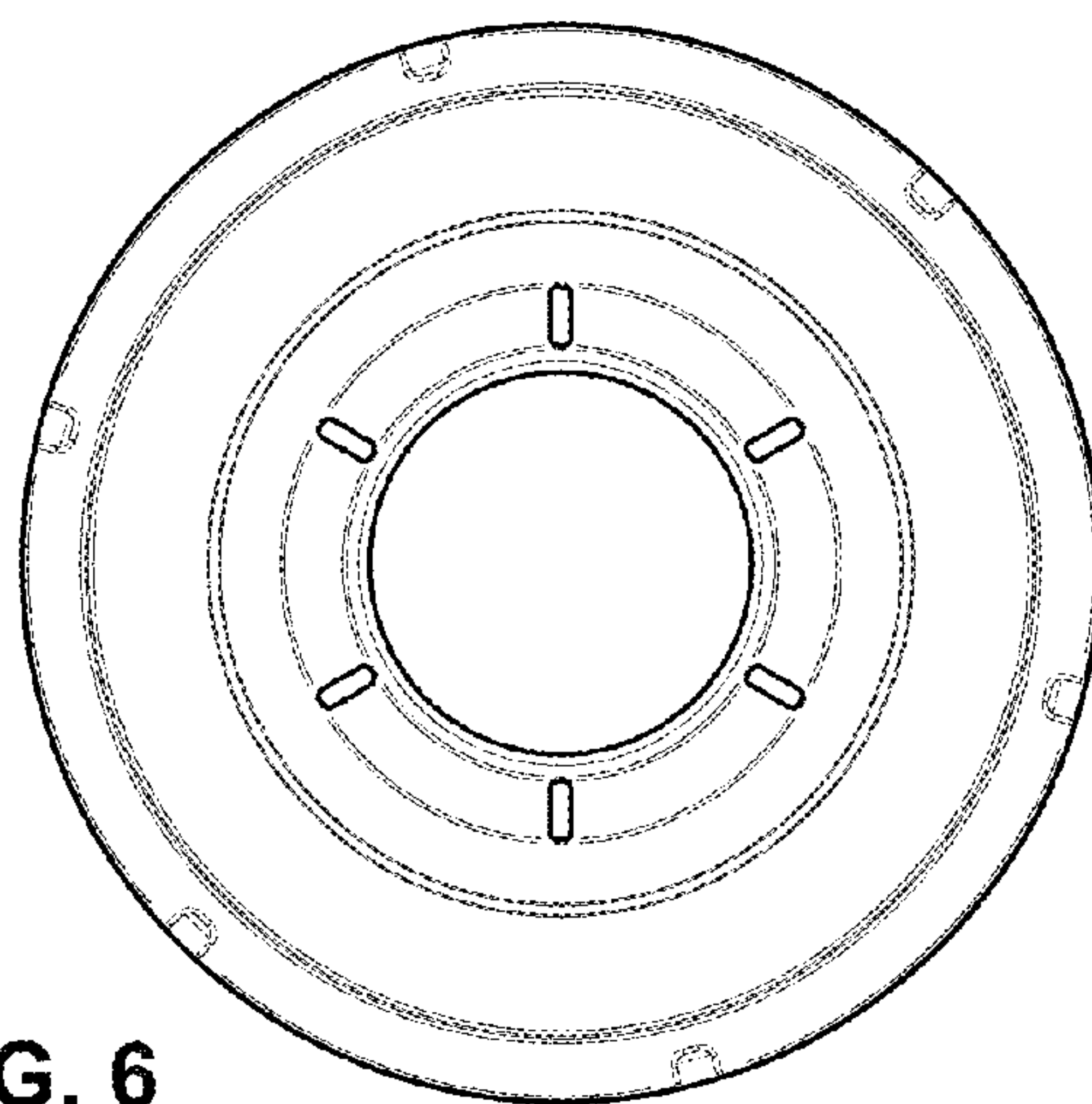
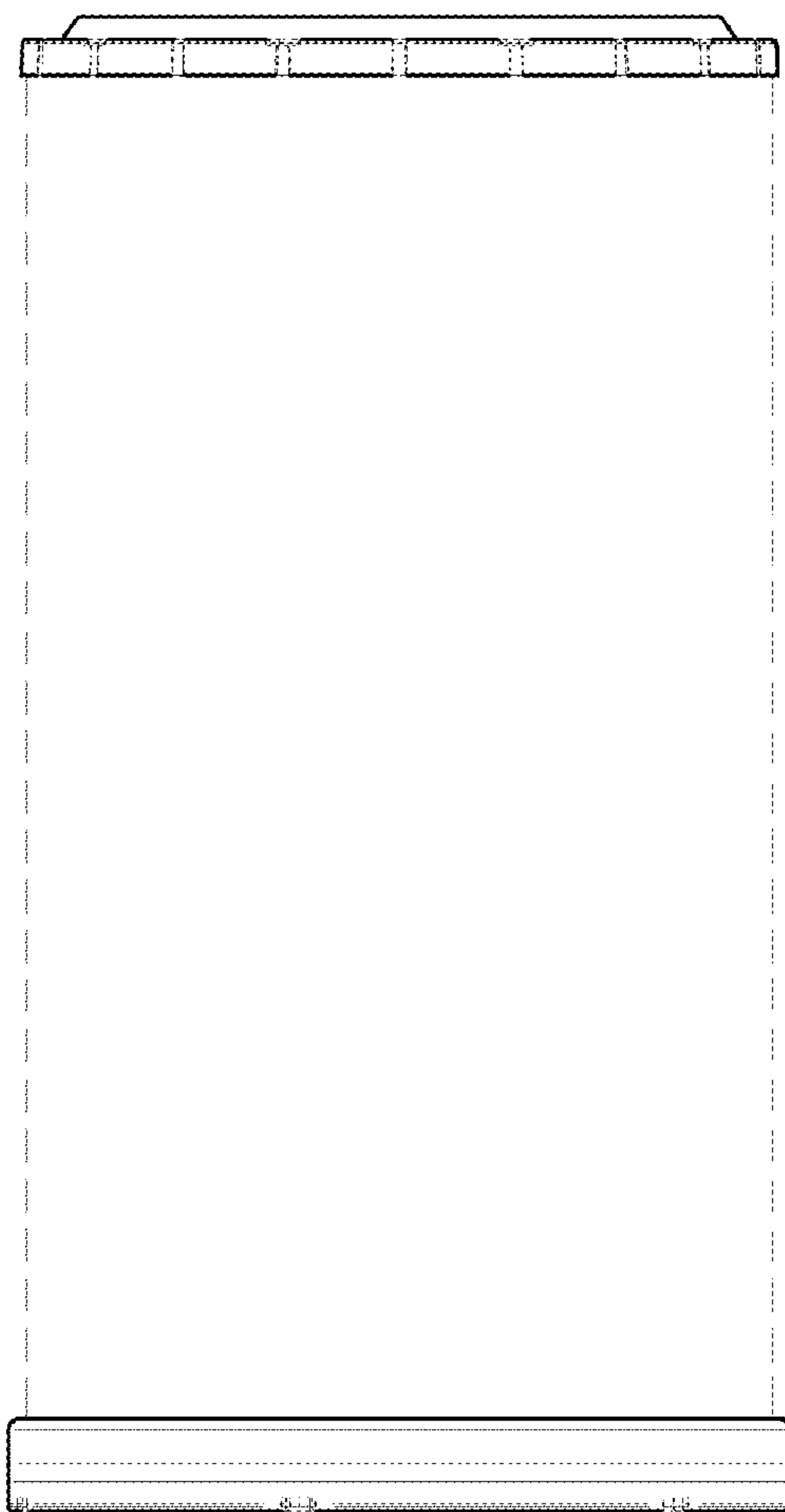


FIG. 6

FIG. 8



FIG. 7



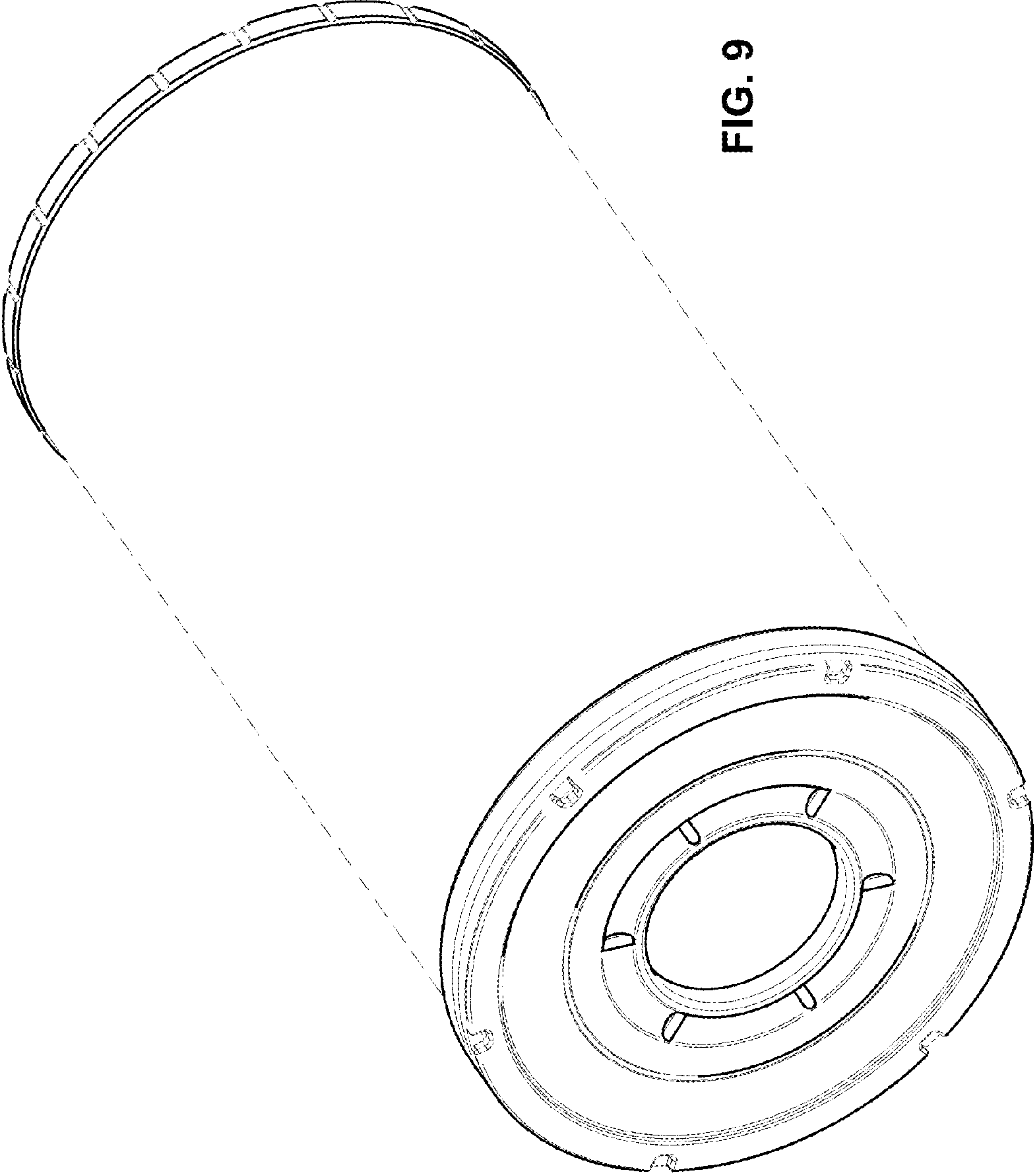


FIG. 9

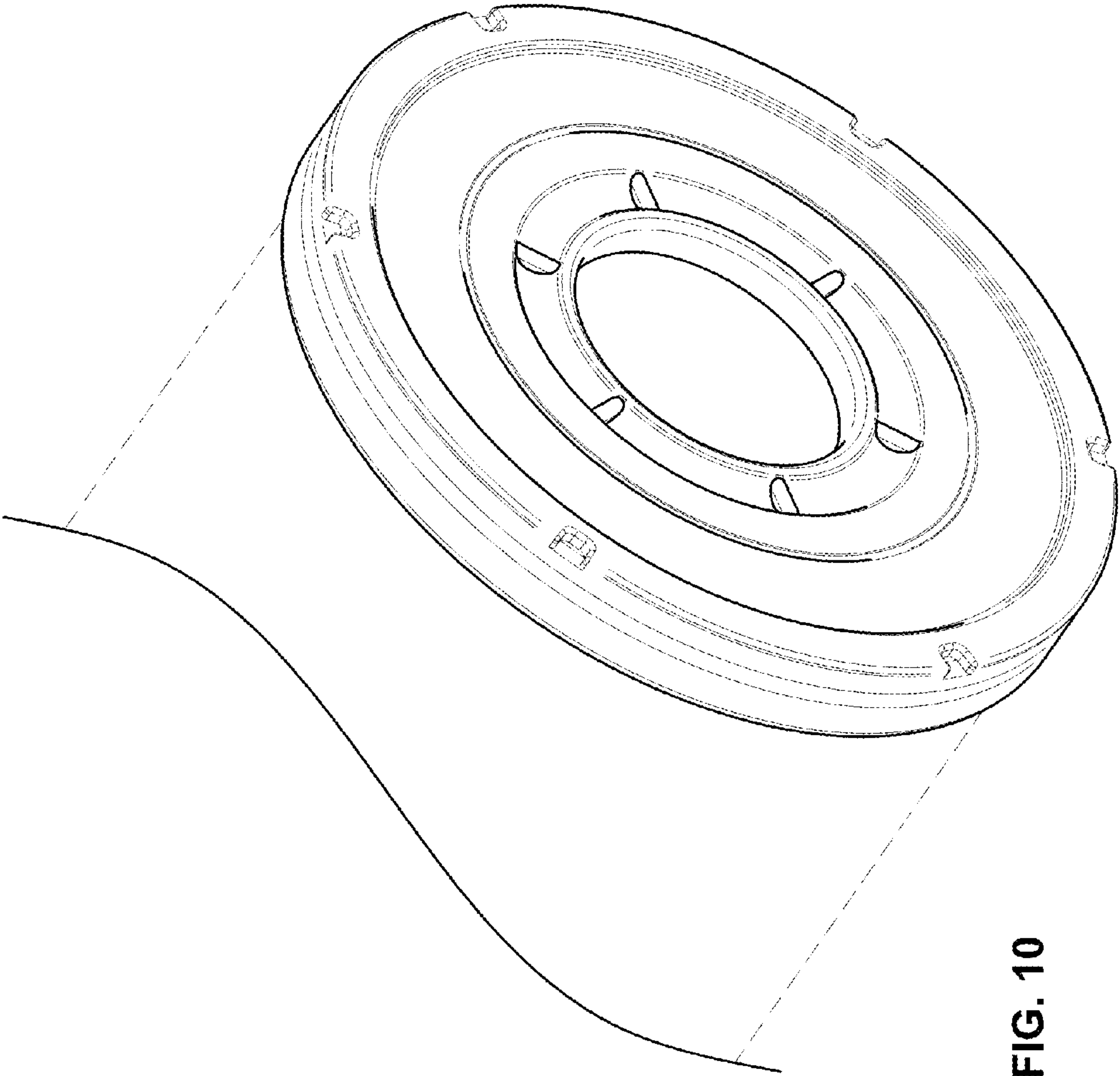


FIG. 10