



US00D726868S

(12) **United States Design Patent**  
**Doughty**

(10) **Patent No.:** **US D726,868 S**

(45) **Date of Patent:** **\*\* Apr. 14, 2015**

(54) **GUN BOOT**

(56) **References Cited**

(71) Applicant: **W Douglas Doughty**, Mena, AR (US)

U.S. PATENT DOCUMENTS

(72) Inventor: **W Douglas Doughty**, Mena, AR (US)

D201,888	S	*	8/1965	Faulhaber	.....	D11/182
3,305,147	A	*	2/1967	Freman	.....	224/572
4,057,180	A	*	11/1977	Whittaker	.....	224/282
D292,782	S	*	11/1987	Restrepo	.....	D11/182
8,444,034	B2	*	5/2013	Bennett	.....	224/405
2003/0098403	A1	*	5/2003	Fox	.....	248/538

(\*\*) Term: **14 Years**

\* cited by examiner

(21) Appl. No.: **29/471,261**

(22) Filed: **Oct. 30, 2013**

*Primary Examiner* — Michael A Pratt

(51) **LOC (10) Cl.** ..... **22-99**

(74) *Attorney, Agent, or Firm* — Stephen D. Carver

(52) **U.S. Cl.**  
USPC ..... **D22/199**

(57) **CLAIM**  
The ornamental design for a gun boot, as shown.

(58) **Field of Classification Search**  
CPC ..... F41A 23/02; F41A 23/04; F41A 23/12;  
F41A 23/14; F41A 23/16; F41A 23/18;  
F41B 5/12  
USPC ..... D22/108, 199; 211/64; 73/167; D6/368,  
D6/552; 224/124, 149-150, 192-193, 198,  
224/238, 243, 911-913; 89/37.01, 37.04,  
89/37.22, 40.01, 40.03, 40.06-40.08;  
42/94, 124

**DESCRIPTION**

FIG. 1 is a frontal isometric view;  
FIG. 2 is a bottom isometric view thereof;  
FIG. 3 is a front plan view thereof;  
FIG. 4 is a rear plan view thereof;  
FIG. 5 is a left side elevational view thereof;  
FIG. 6 is a right side elevational view thereof;  
FIG. 7 is a top plan view thereof; and,  
FIG. 8 is a bottom plan view thereof.

See application file for complete search history.

**1 Claim, 5 Drawing Sheets**

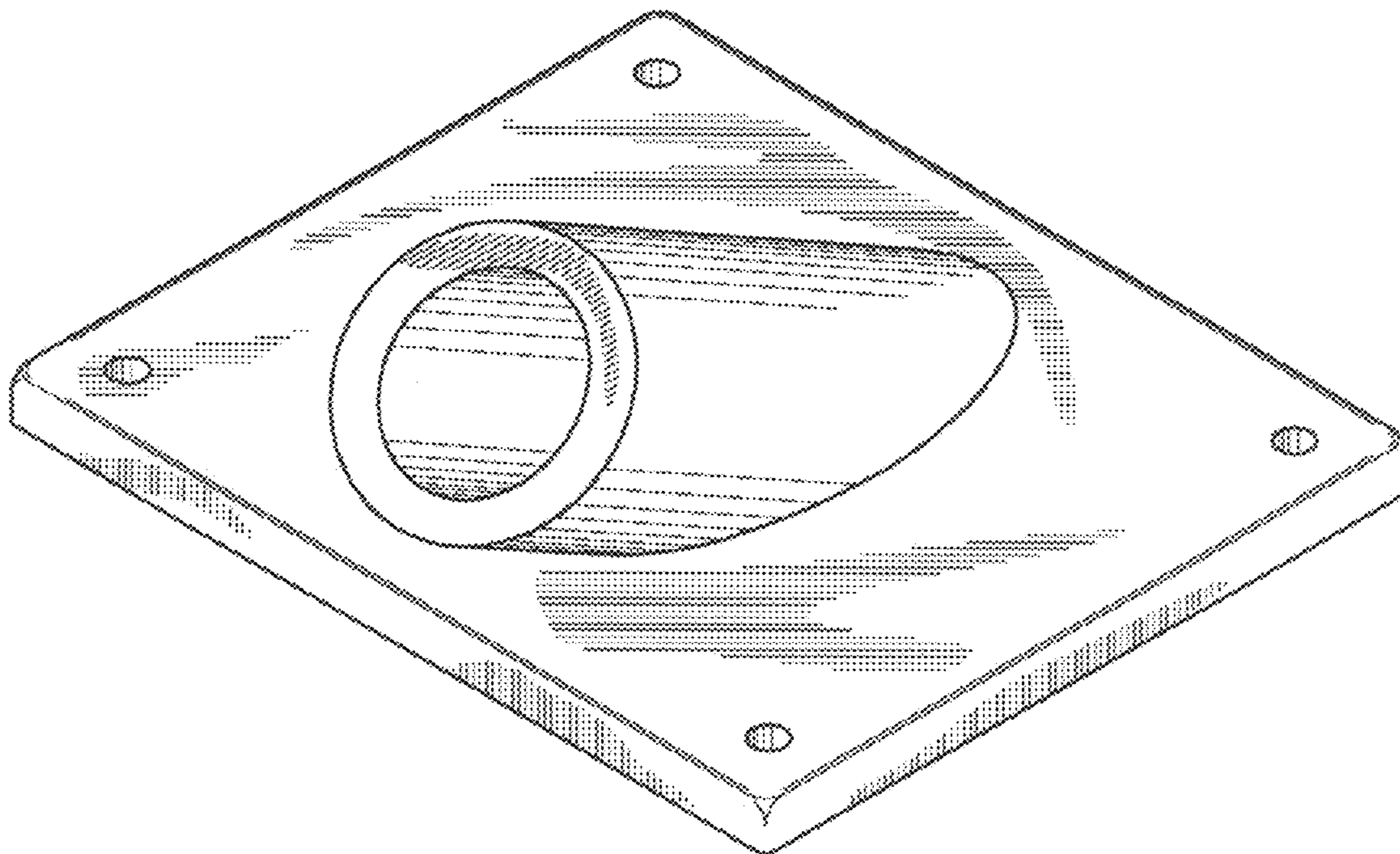


FIG. 1

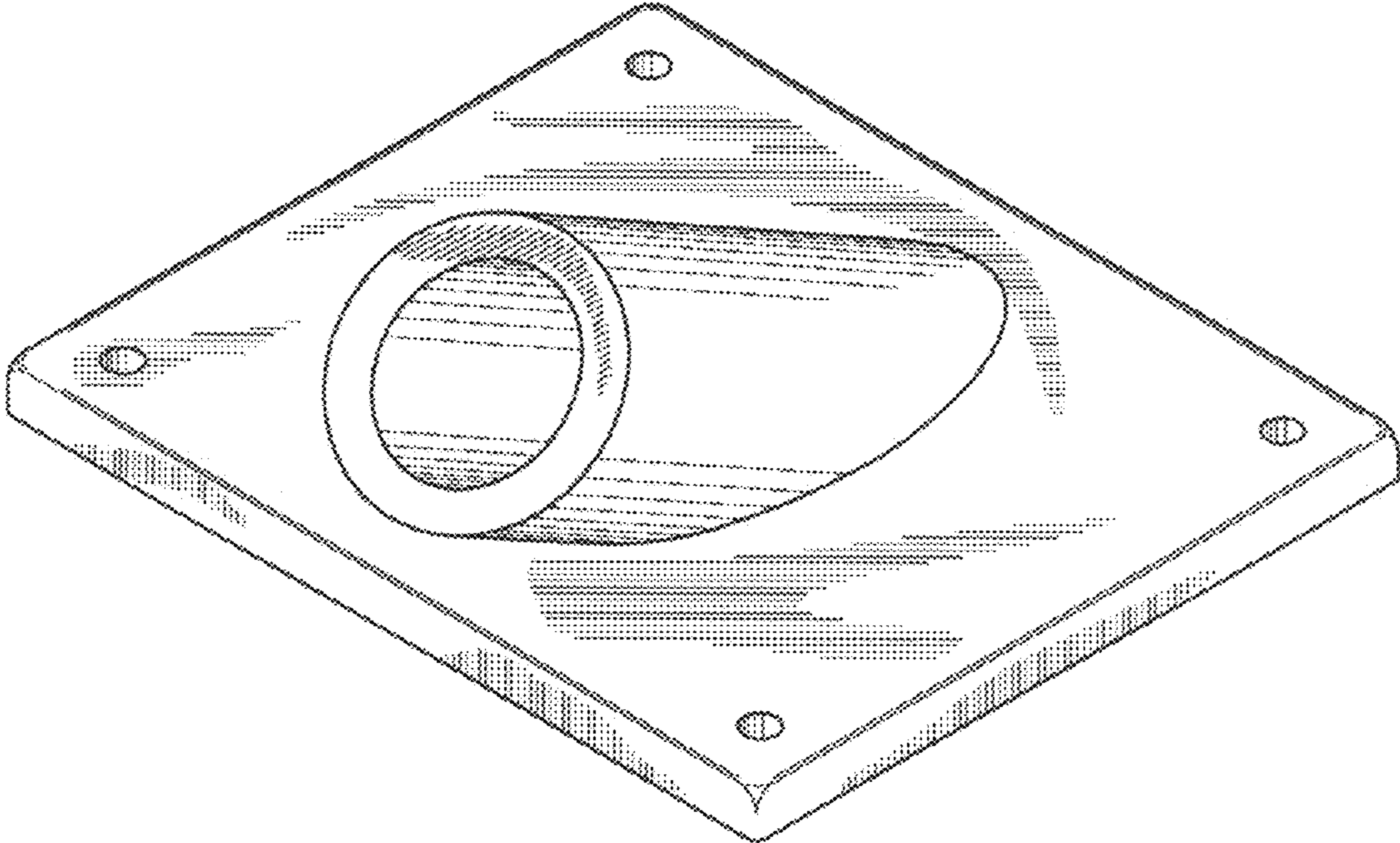


FIG. 2

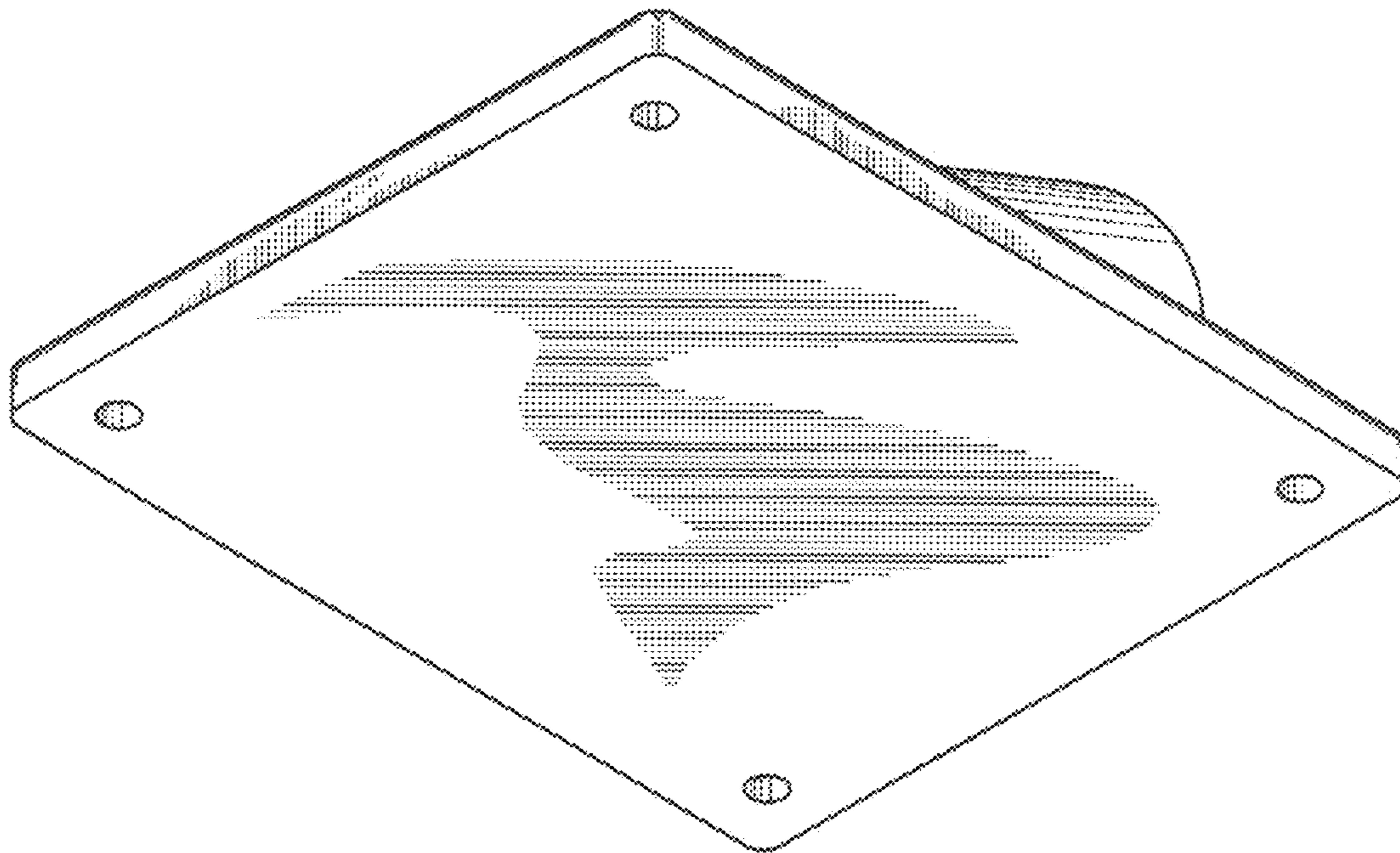


FIG. 3

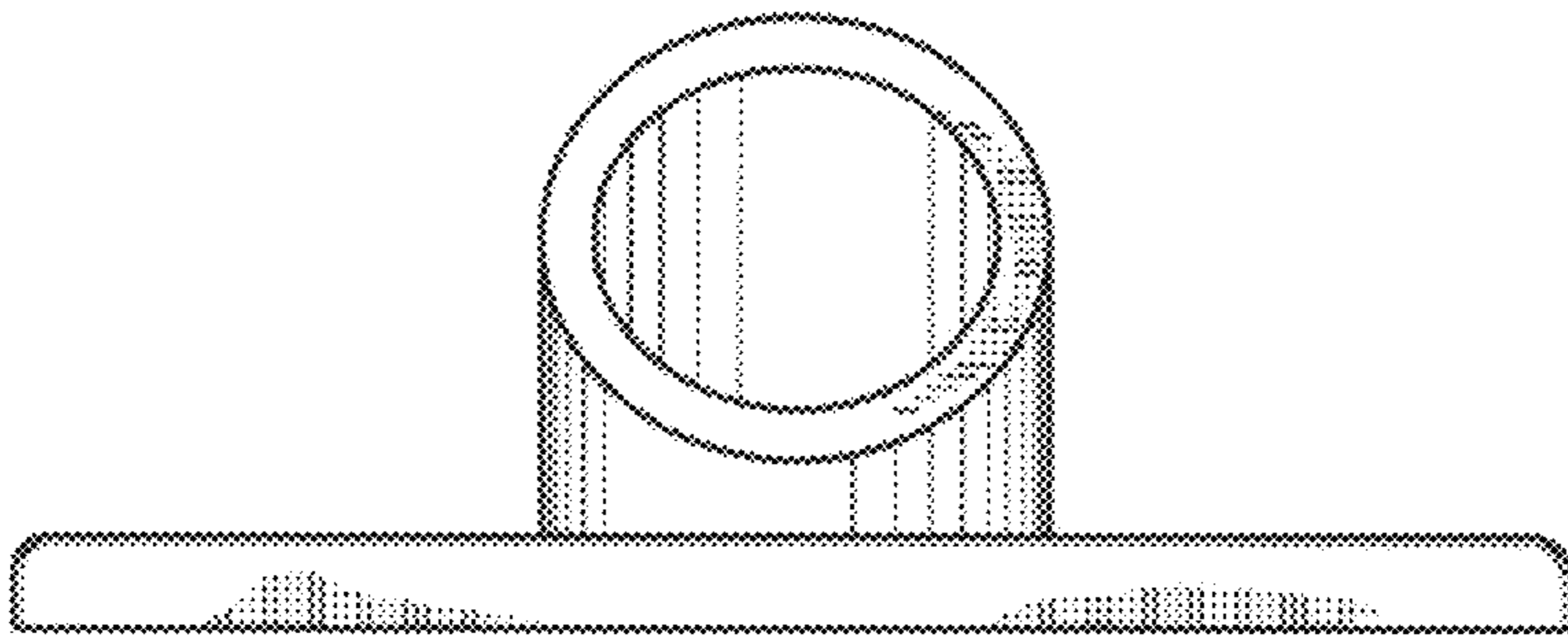
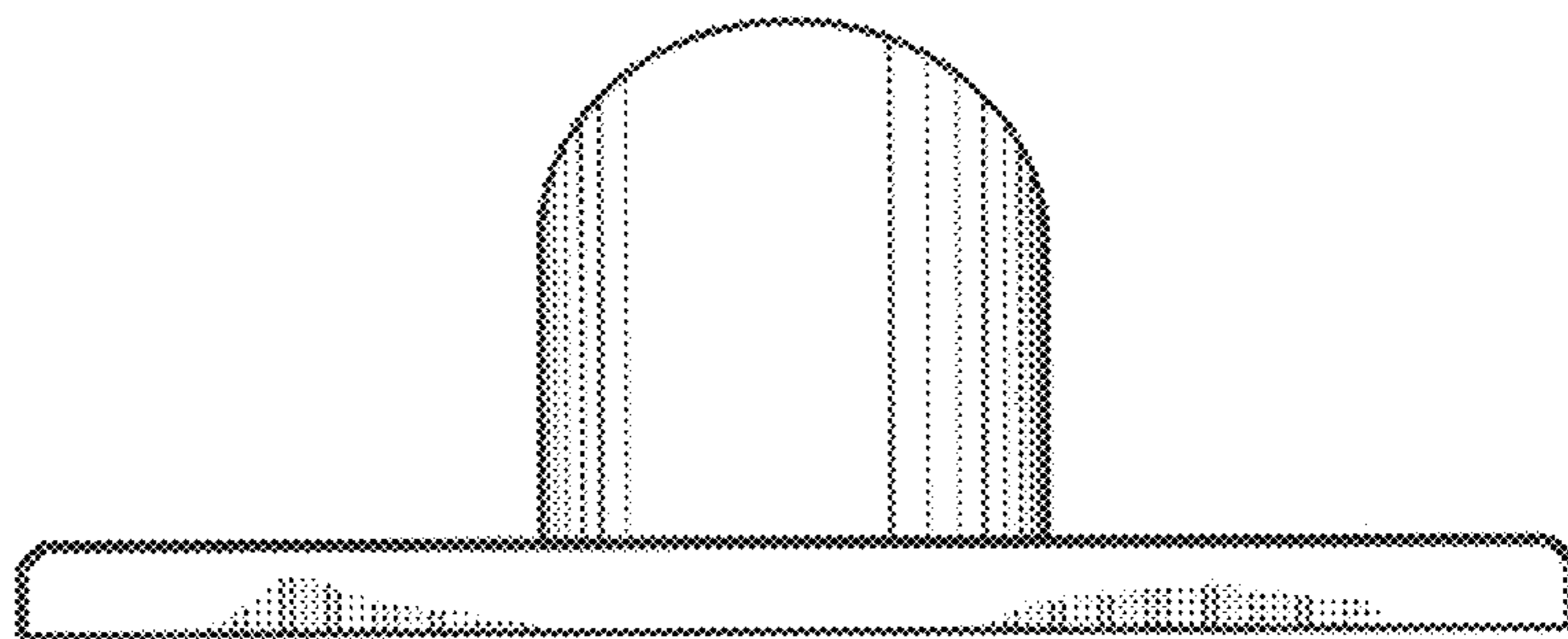


FIG. 4



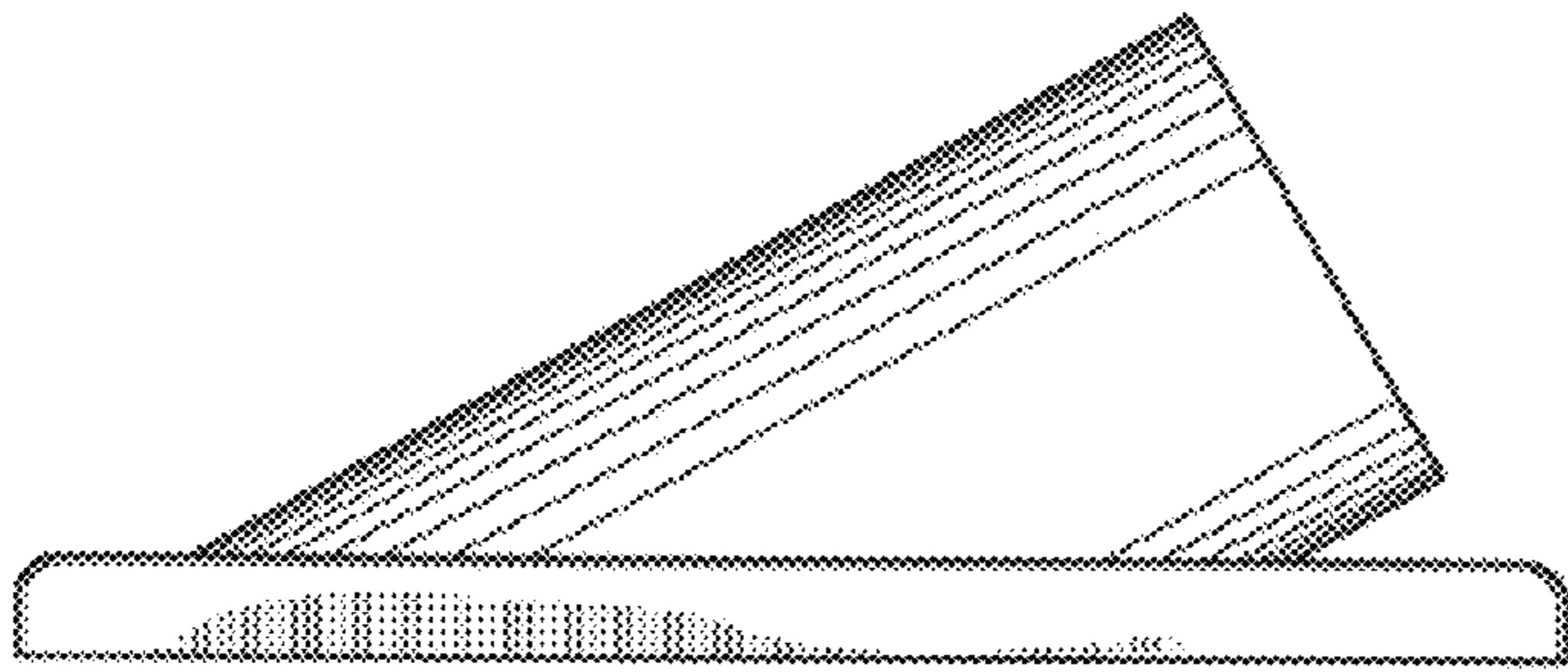
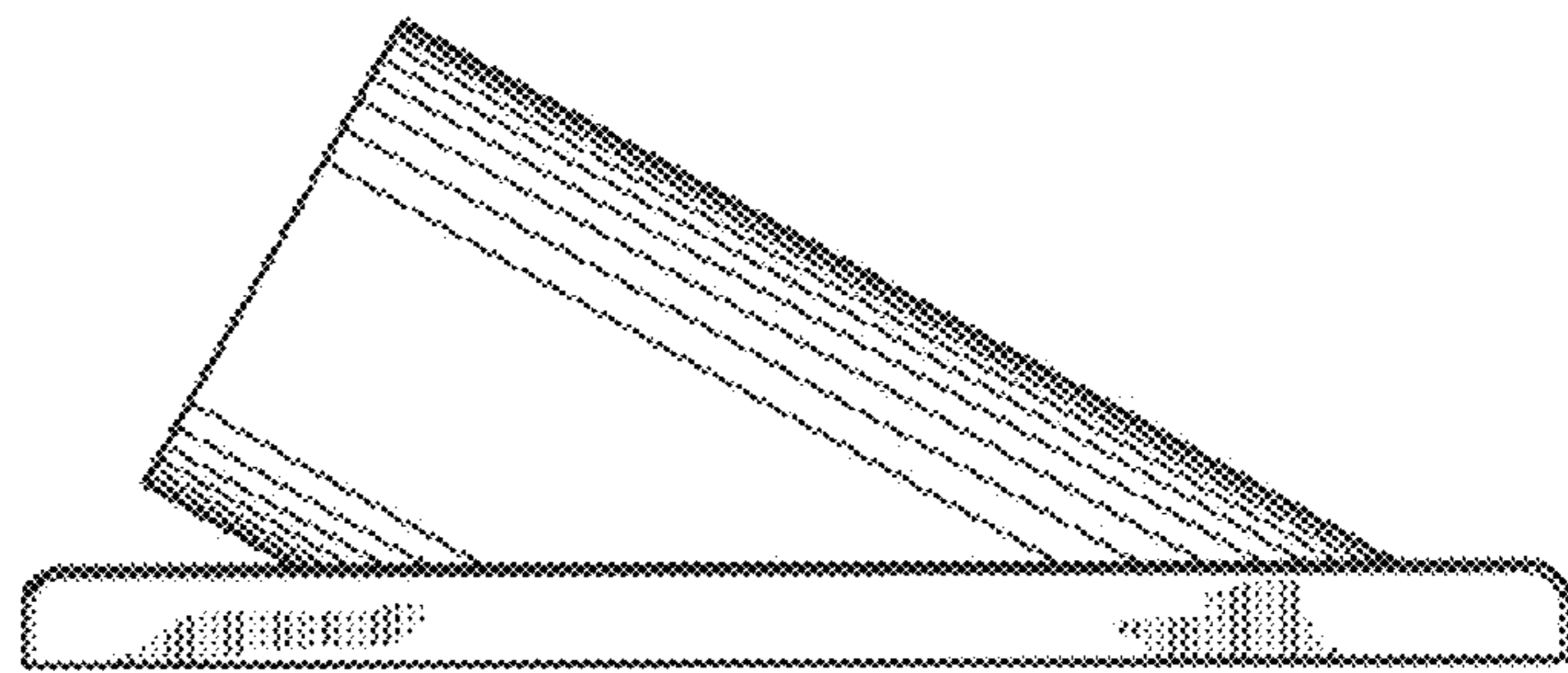


FIG. 5

FIG. 6



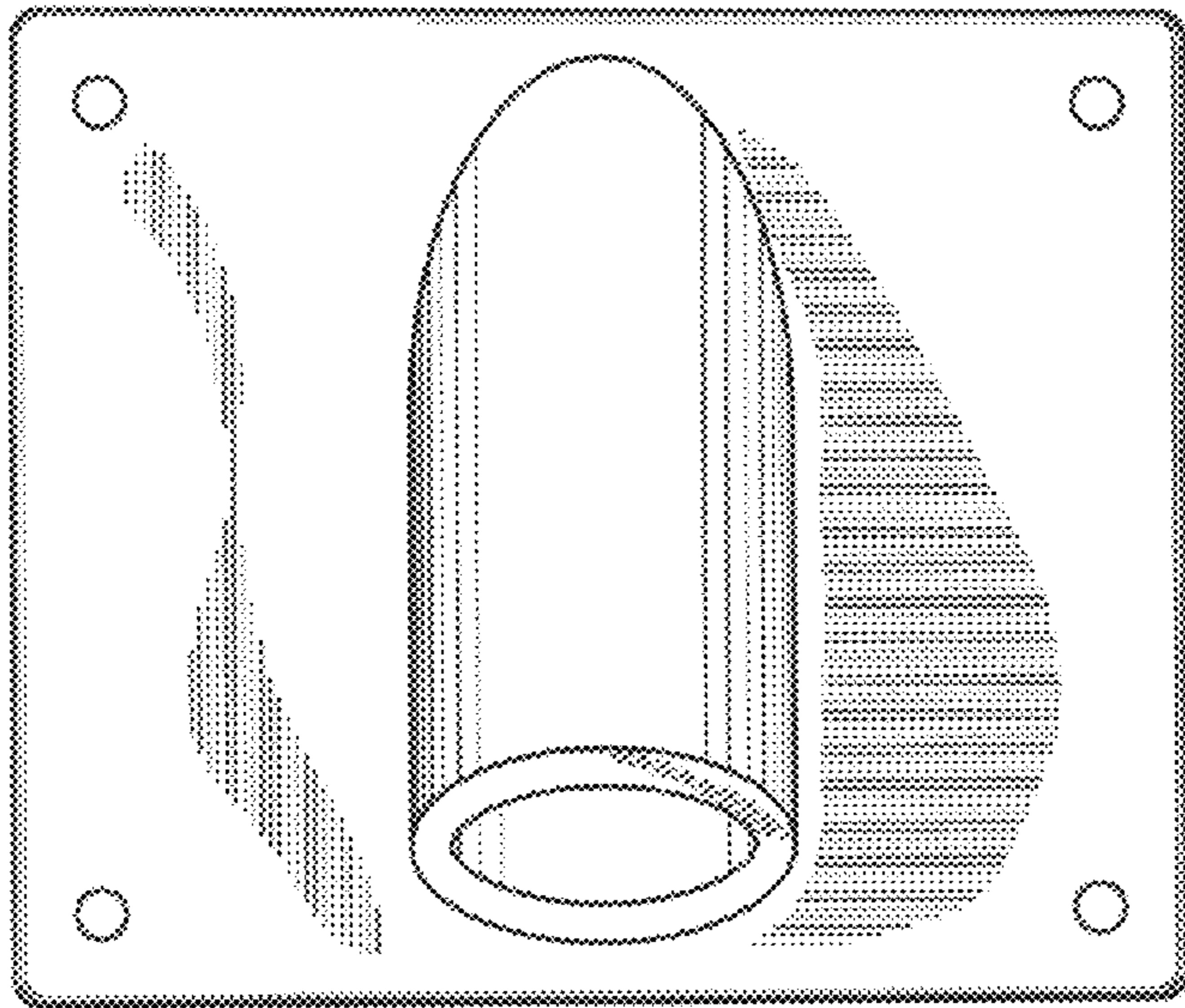


FIG. 7

FIG. 8

