



US00D726867S

(12) **United States Design Patent**
Taylor

(10) **Patent No.:** **US D726,867 S**

(45) **Date of Patent:** **** Apr. 14, 2015**

(54) **AMMUNITION SPEED LOADER**
(71) Applicant: **Cary Taylor**, Anchorage, AK (US)
(72) Inventor: **Cary Taylor**, Anchorage, AK (US)

(**) Term: **14 Years**

(21) Appl. No.: **29/457,500**

(22) Filed: **Jun. 11, 2013**

(51) **LOC (10) Cl.** **22-99**

(52) **U.S. Cl.**
USPC **D22/199**

(58) **Field of Classification Search**
CPC F41A 9/64; F41A 9/66; F41A 9/69;
F41A 9/83; F41A 9/86
USPC D22/108; 86/48; 42/87, 88, 90, 99, 106;
89/45

See application file for complete search history.

(56) **References Cited**

U.S. PATENT DOCUMENTS

| | | | | |
|-----------|-----|---------|----------------|---------|
| 1,178,785 | A * | 4/1916 | Debuchy | 42/87 |
| 2,014,177 | A * | 9/1935 | Herlach et al. | 89/33.2 |
| 2,451,521 | A * | 10/1948 | Uglum | 86/47 |
| 2,526,195 | A * | 10/1950 | Brownsey | 206/3 |
| 2,542,842 | A * | 2/1951 | Saunders | 221/268 |

| | | | | |
|-----------|------|---------|-----------------|----------|
| 3,030,724 | A * | 4/1962 | Curran | 42/88 |
| 3,292,293 | A * | 12/1966 | Chiasera et al. | 42/49.01 |
| 4,739,572 | A * | 4/1988 | Brandenburg | 42/87 |
| 4,879,829 | A * | 11/1989 | Miller et al. | 42/87 |
| 7,059,077 | B2 * | 6/2006 | Tal et al. | 42/88 |

* cited by examiner

Primary Examiner — Michael A Pratt

(74) *Attorney, Agent, or Firm* — QuickPatents; Kevin Prince

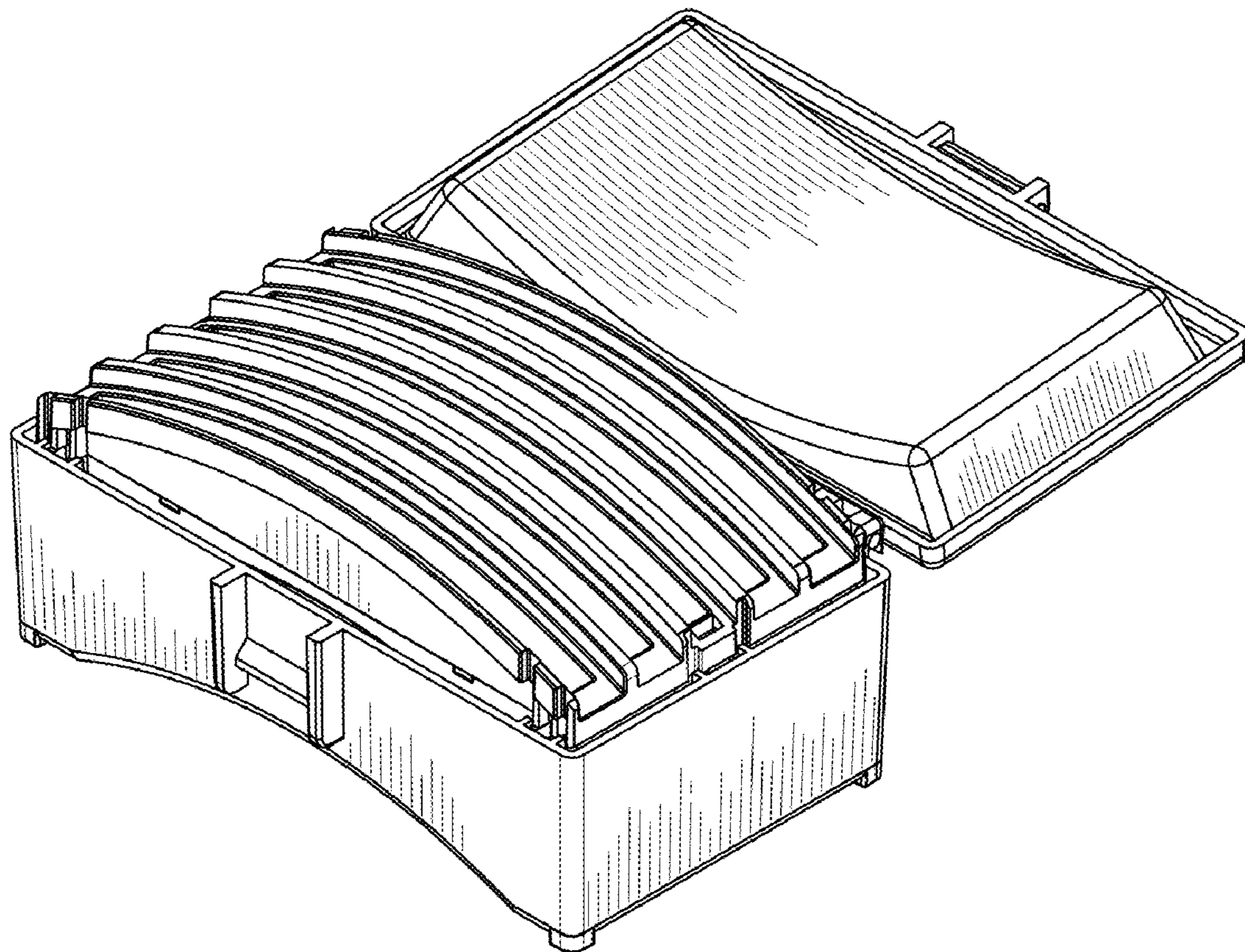
(57) **CLAIM**

I claim the ornamental design for an ammunition speed loader, as shown and described.

DESCRIPTION

FIG. 1 is a perspective view of an ammunition speed loader, showing my new design in an open position; FIG. 2 is a perspective view thereof, illustrated in a closed position; FIG. 3 is a front elevational view of FIG. 2; FIG. 4 is a rear elevational view of FIG. 2; FIG. 5 is a right-side elevational view of FIG. 2, the left-side elevational view being a mirror image thereof; FIG. 6 is a top plan view of FIG. 2; and, FIG. 7 is a bottom plan view of FIG. 2. The broken lines in FIG. 7 illustrate environmental matter that form no part of the claimed design.

1 Claim, 3 Drawing Sheets



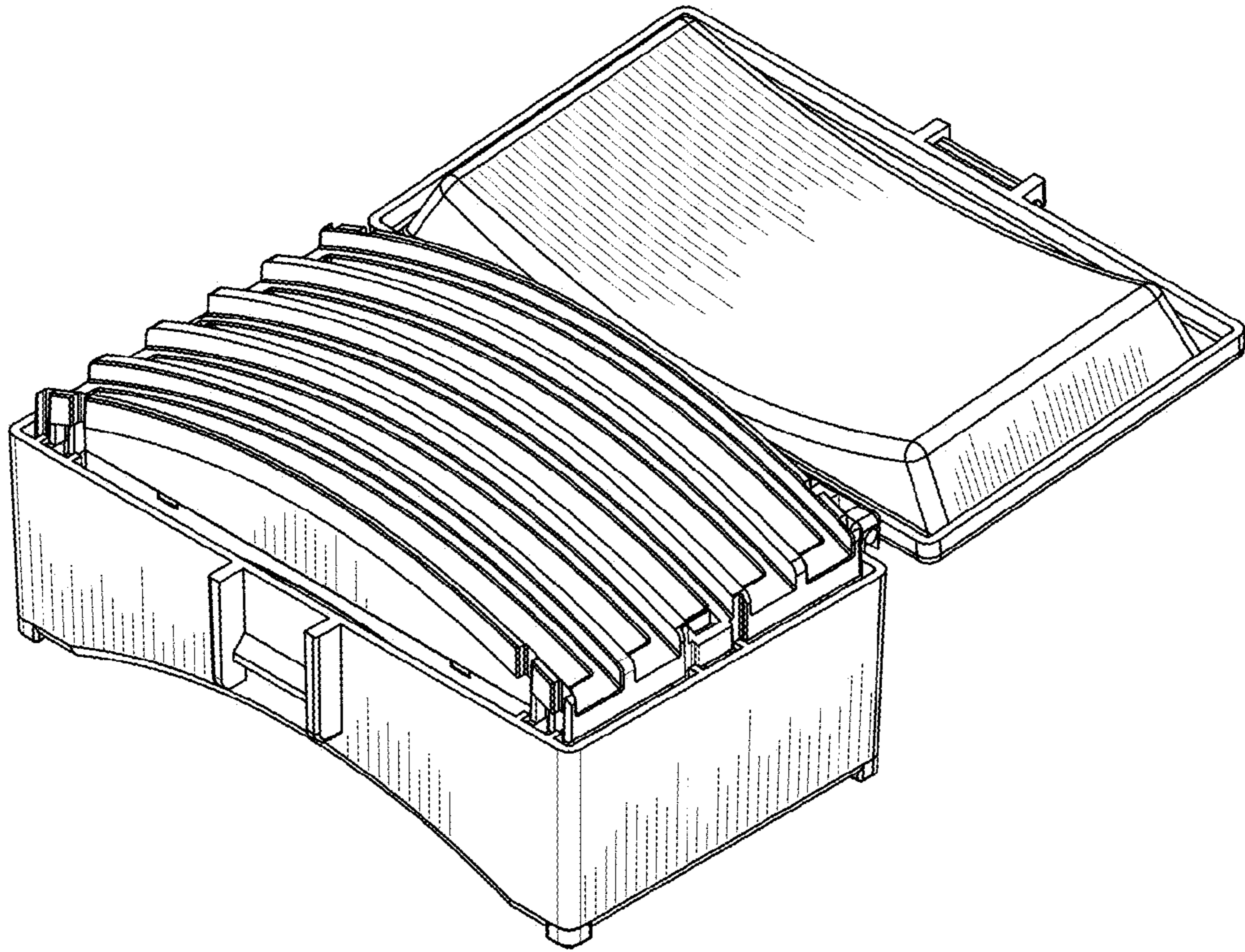


FIG. 1

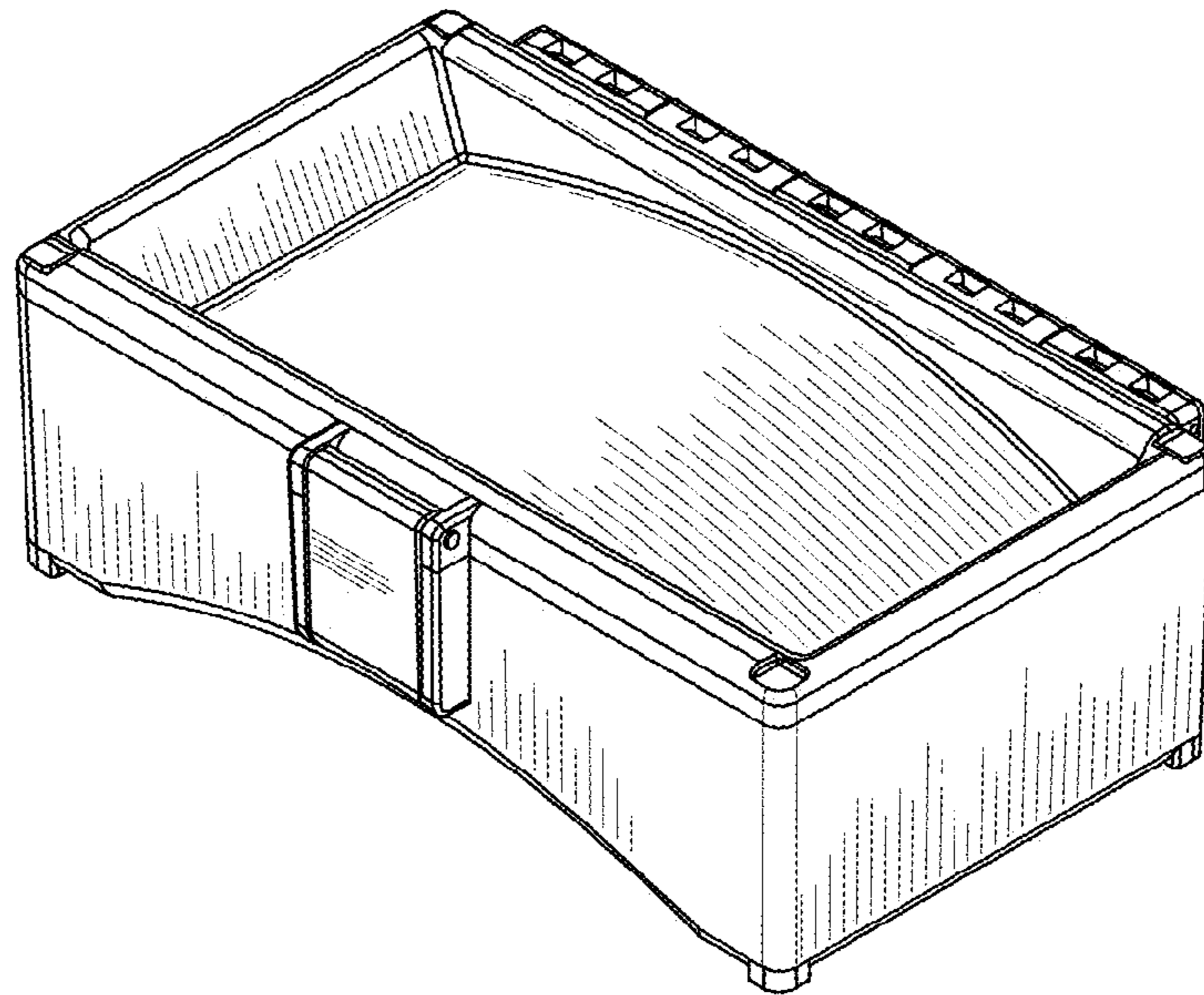


FIG. 2

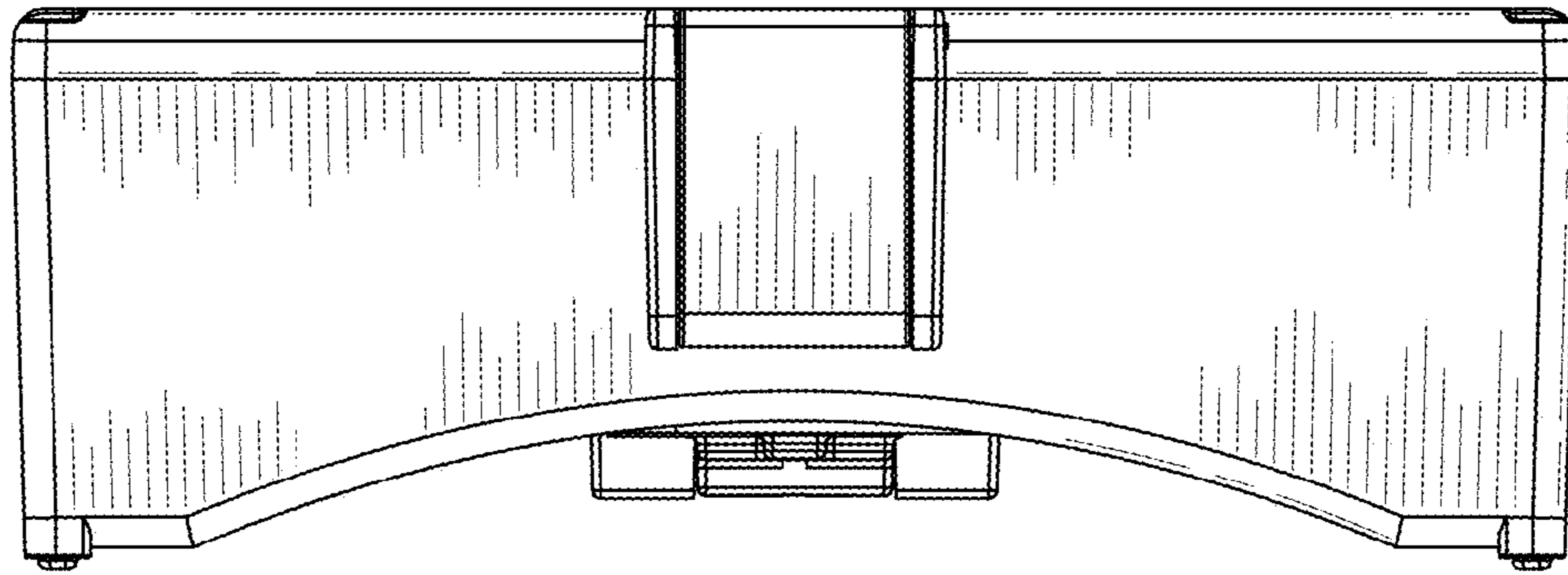


FIG. 3

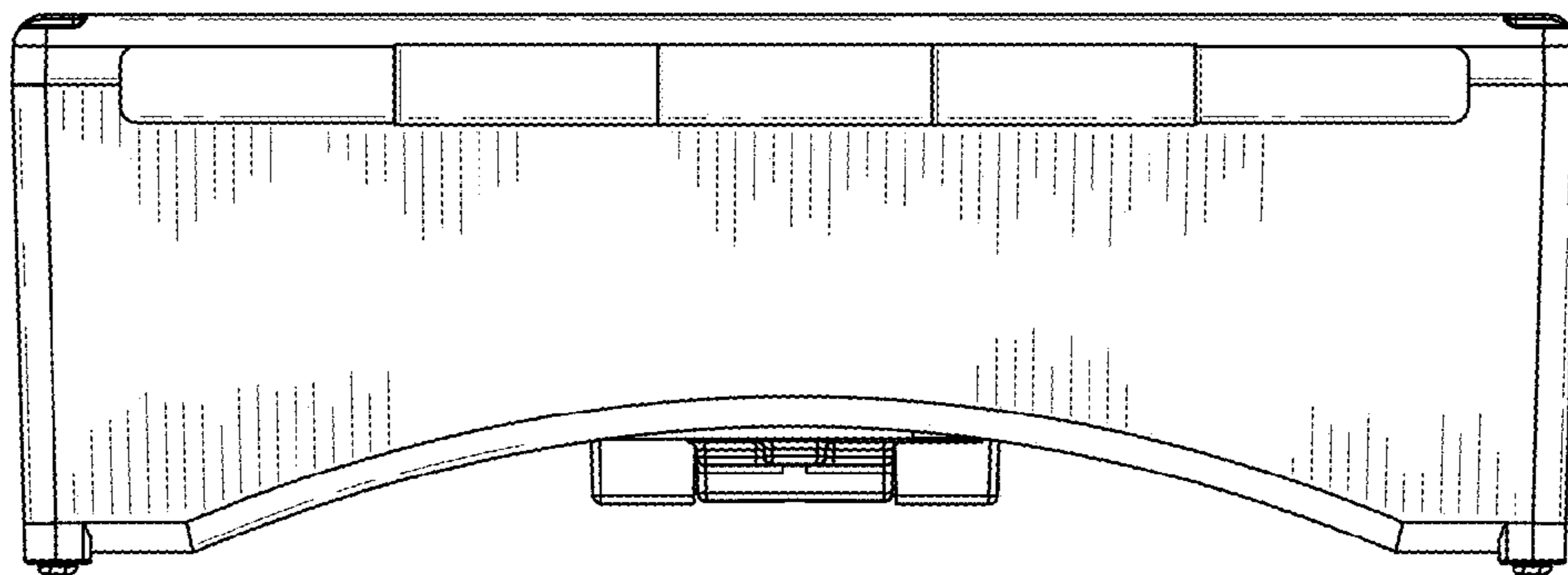


FIG. 4

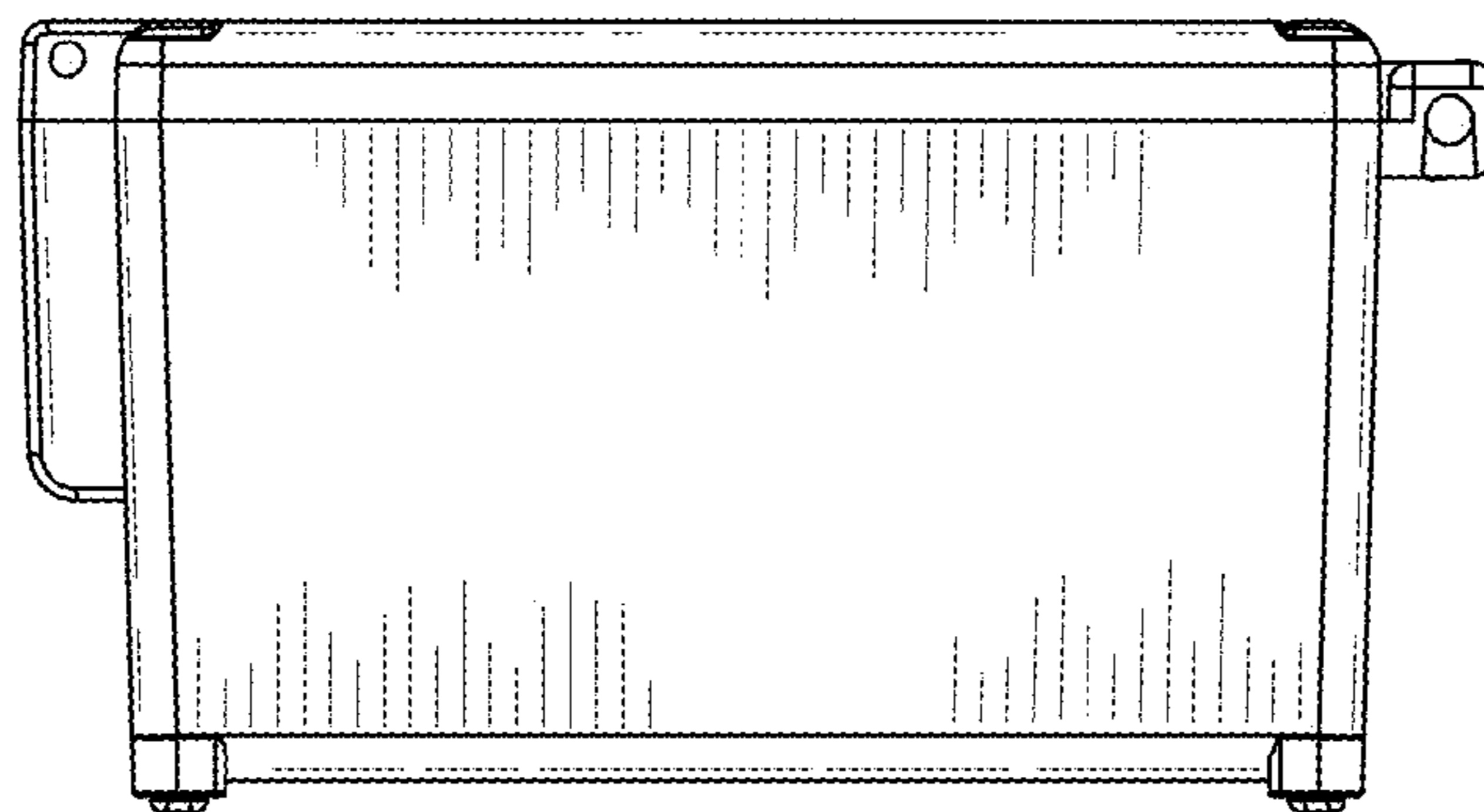


FIG. 5

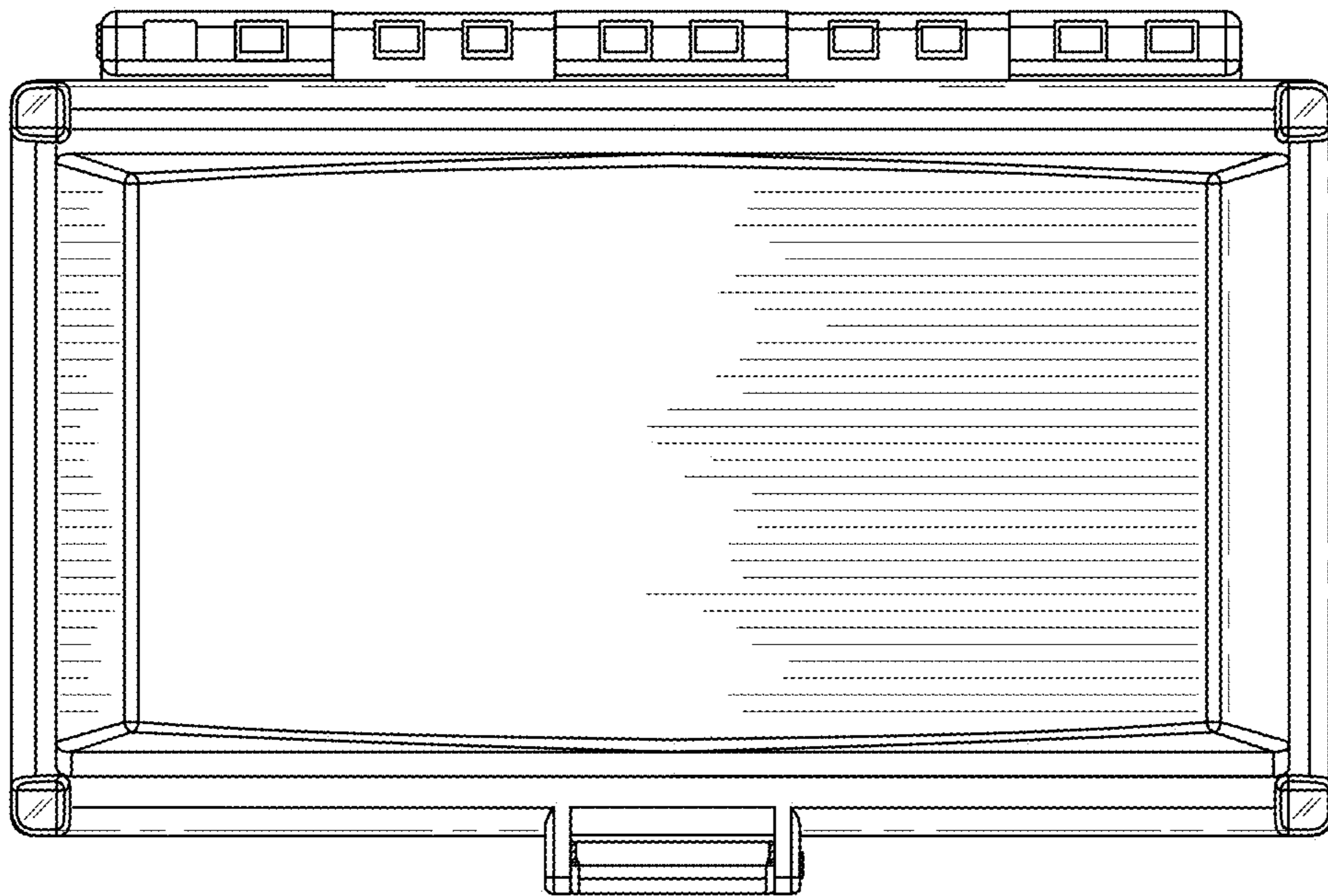


FIG. 6

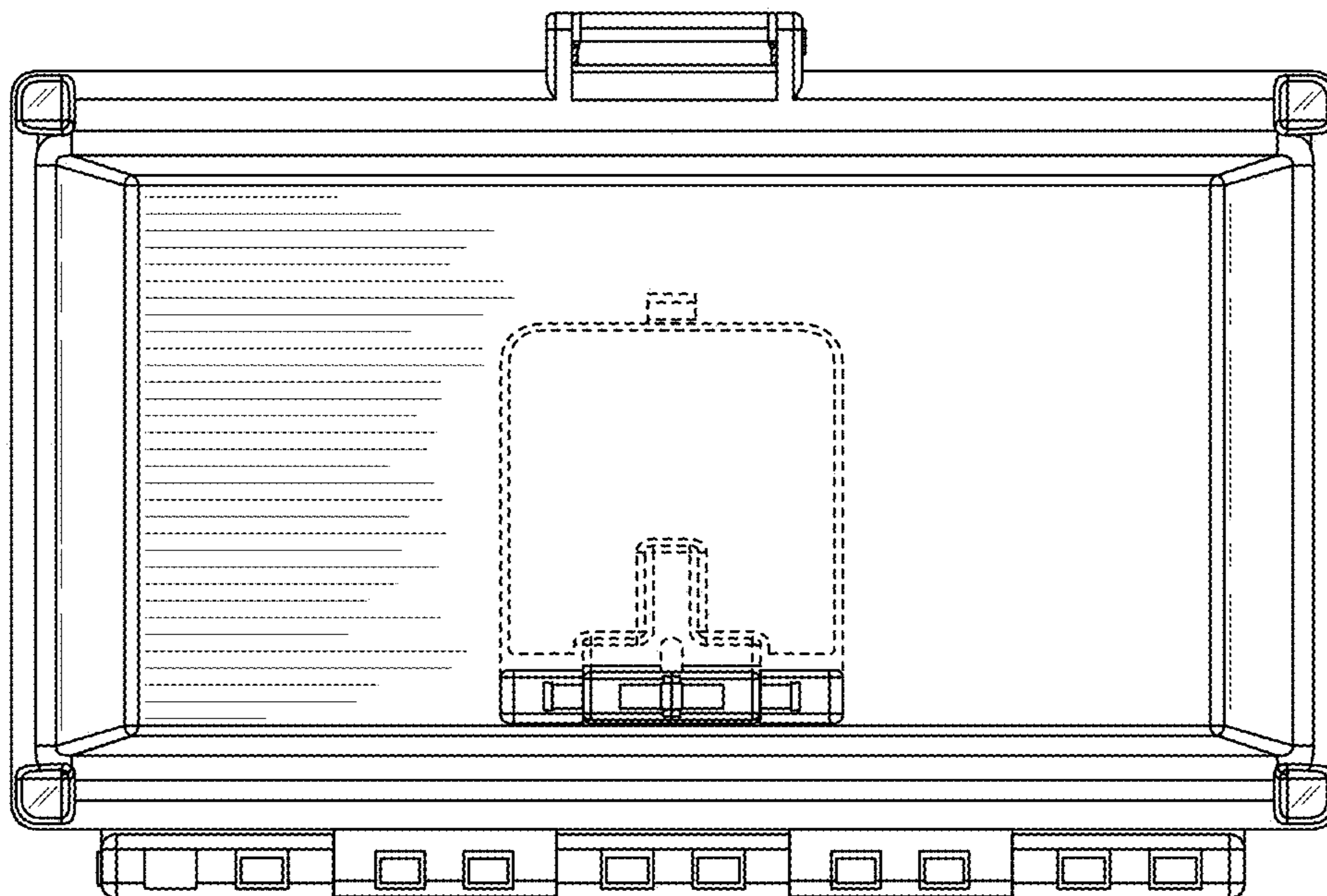


FIG. 7