

US00D726866S

(12) **United States Design Patent**  
**Hannon**

(10) **Patent No.:** **US D726,866 S**

(45) **Date of Patent:** **\*\* Apr. 14, 2015**

(54) **FISHING LINE GUIDE**

(71) Applicant: **Russel L. Riley**, Remus, MI (US)

(72) Inventor: **Robert Douglas Hannon**, Odessa, FL (US)

(\*\*) Term: **14 Years**

(21) Appl. No.: **29/493,585**

(22) Filed: **Jun. 11, 2014**

D643,904 S \* 8/2011 Akiba et al. .... D22/143  
D685,056 S \* 6/2013 Hannon ..... D22/143  
D698,410 S \* 1/2014 Akiba et al. .... D22/143

\* cited by examiner

*Primary Examiner* — Catheri Oliver-Garcia

(74) *Attorney, Agent, or Firm* — Harness, Dickey & Pierce, PLC

(57) **CLAIM**

The ornamental design for a fishing line guide, as shown and described.

**DESCRIPTION**

FIG. 1 is a rear perspective view of a fishing line guide showing my new design;

FIG. 2 is a front perspective view of the fishing line guide shown in FIG. 1;

FIG. 3 is a front view of the fishing line guide shown in FIG. 1;

FIG. 4 is a right side view of the fishing line guide shown in FIG. 1;

FIG. 5 is a rear view of the fishing line guide shown in FIG. 1;

FIG. 6 is a left side view of the fishing line guide shown in FIG. 1; and,

FIG. 7 is a top view of the fishing line guide shown in FIG. 1.

The broken line showing of environment in FIG. 1 is included for the purpose of illustrating only and forms no part of the claimed design.

**Related U.S. Application Data**

(63) Continuation-in-part of application No. 12/800,955, filed on May 26, 2010.

(51) **LOC (10) Cl.** ..... **22-05**

(52) **U.S. Cl.**  
USPC ..... **D22/143**

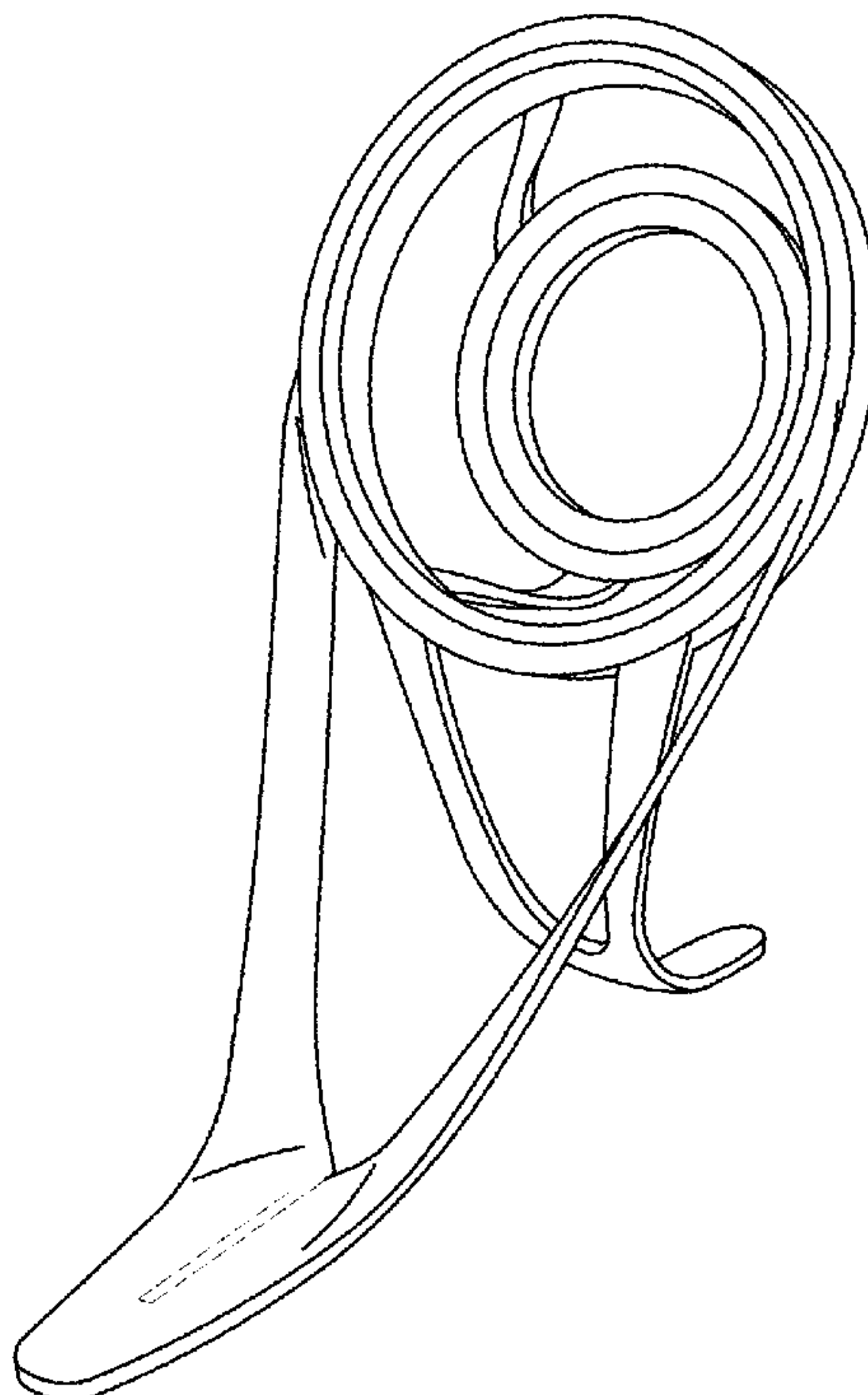
(58) **Field of Classification Search**  
USPC ..... D22/143, 137-138; 43/24-26, 18.1 R  
See application file for complete search history.

(56) **References Cited**

**U.S. PATENT DOCUMENTS**

4,682,439 A \* 7/1987 Inoue et al. .... 43/24  
D346,849 S \* 5/1994 Yamamoto et al. .... D22/143  
D495,774 S \* 9/2004 Grayson ..... D22/143

**1 Claim, 4 Drawing Sheets**



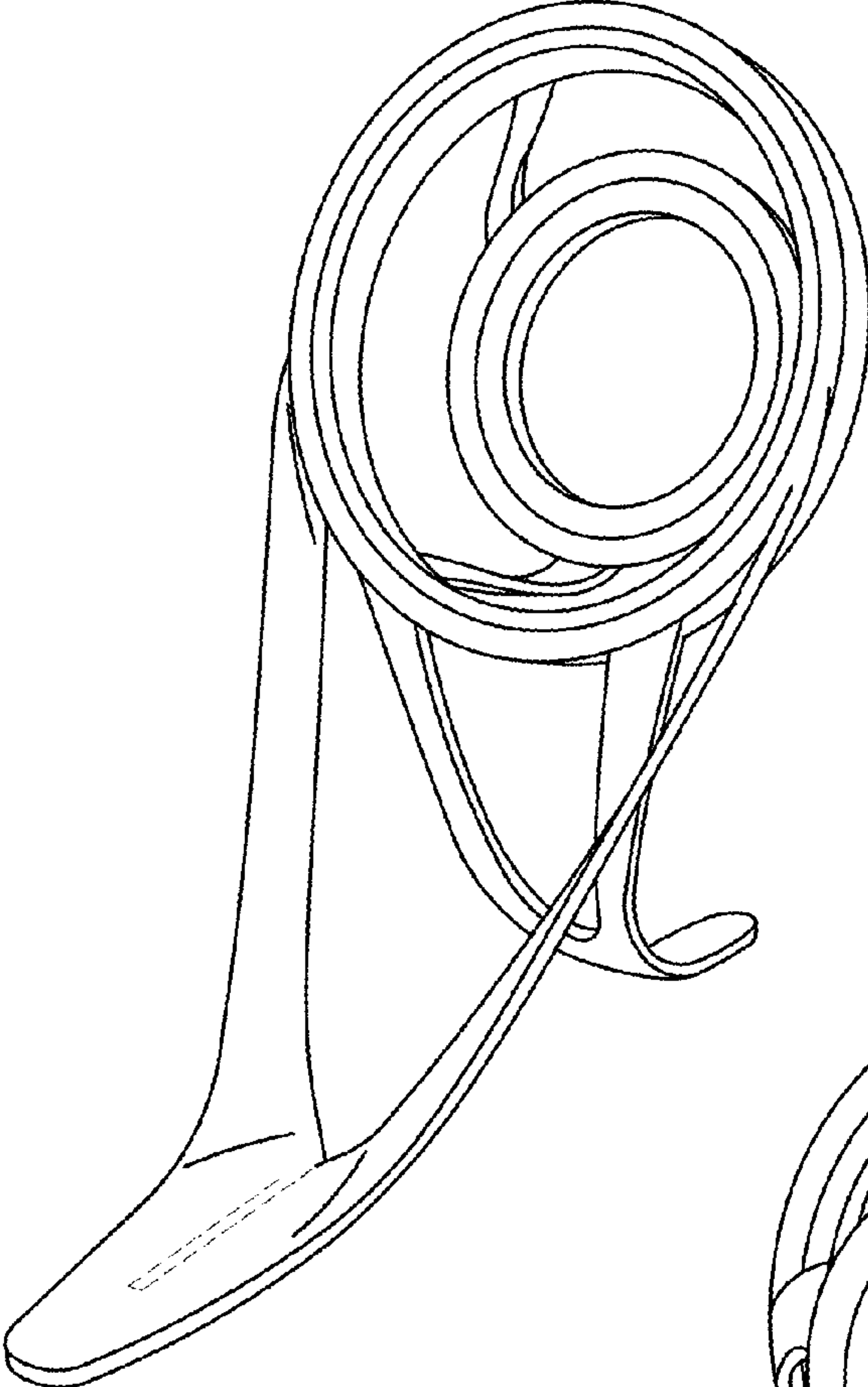


FIG - 1

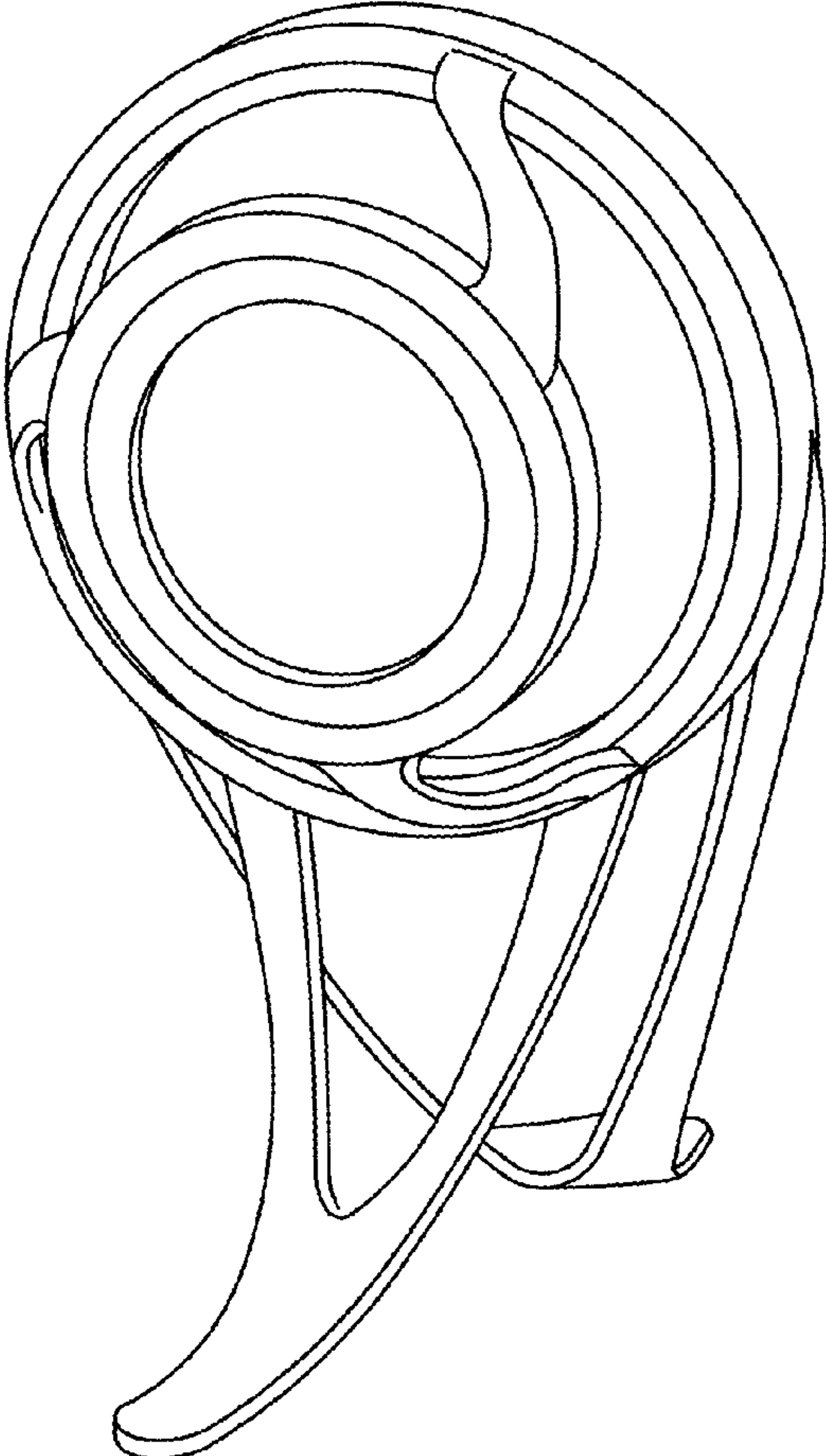


FIG - 2

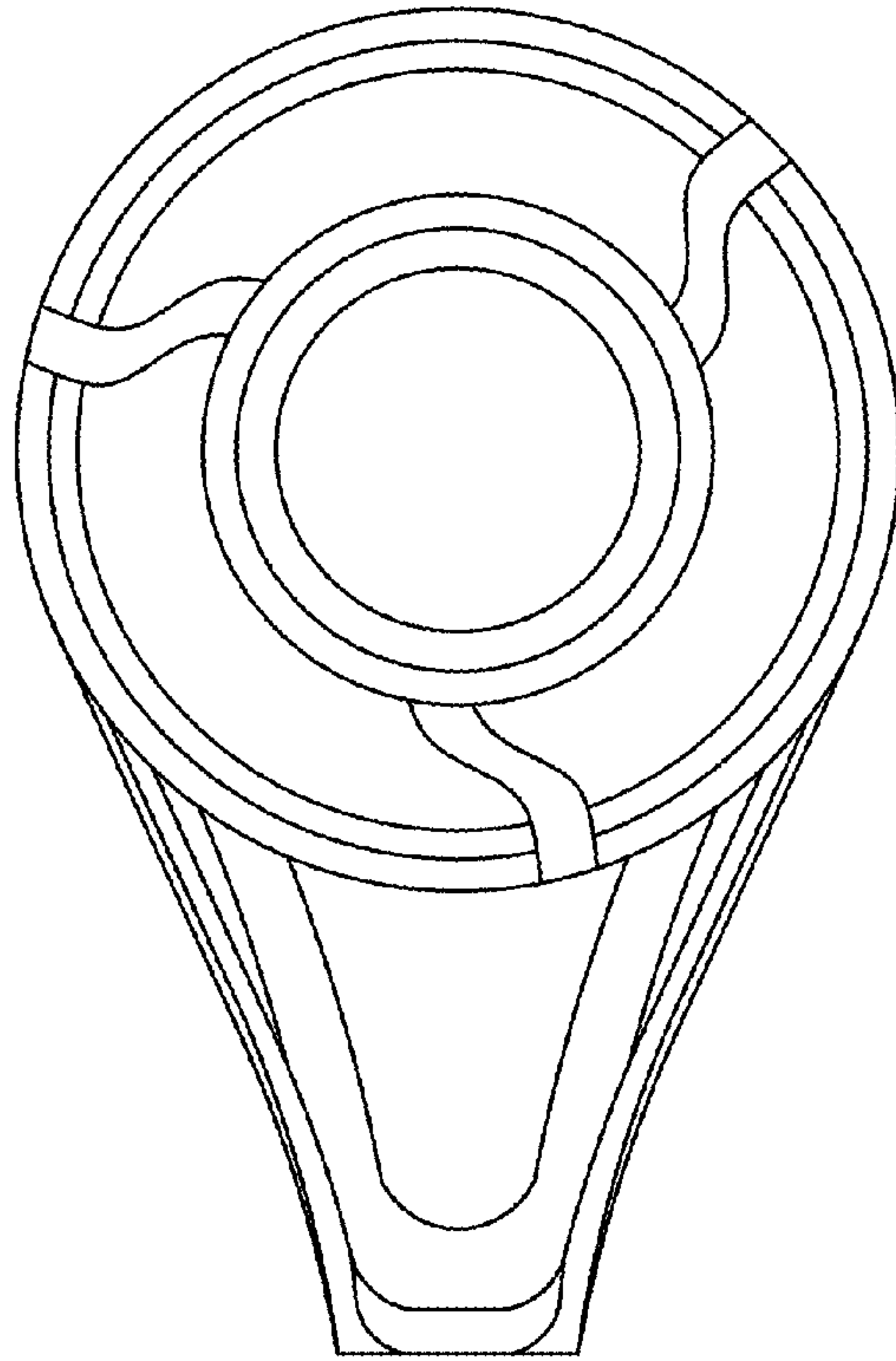


FIG - 3

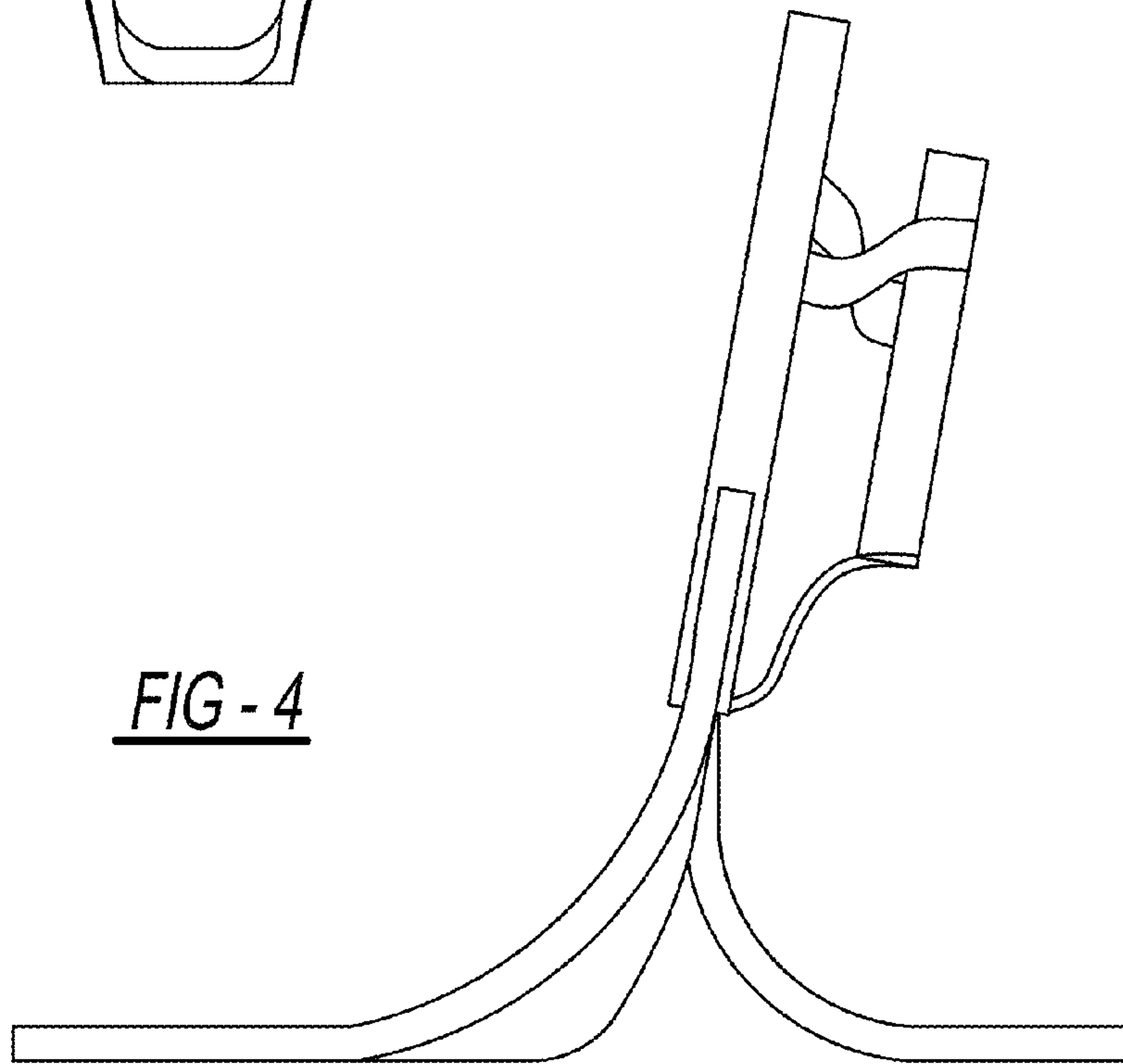


FIG - 4

FIG - 5

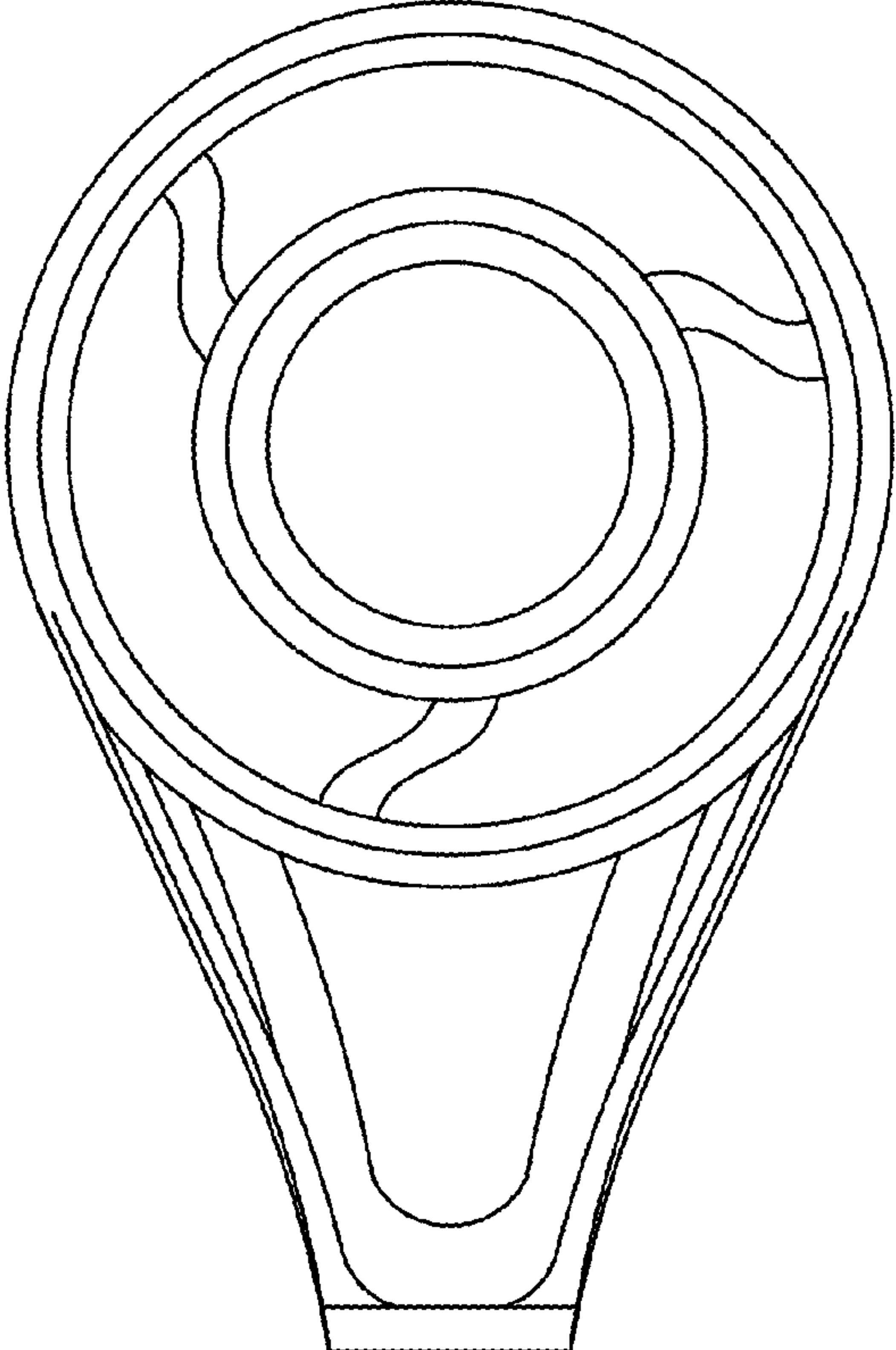
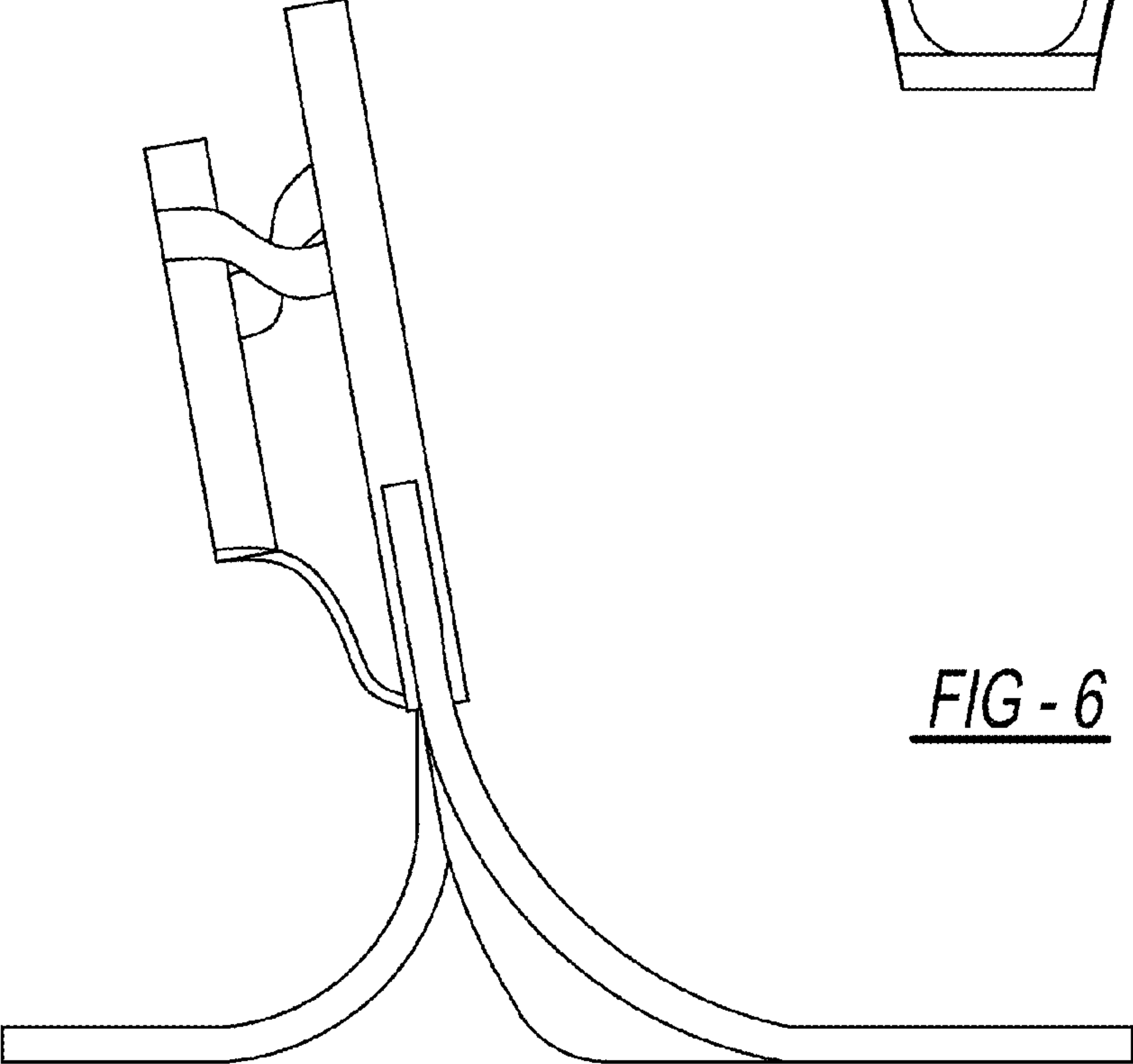


FIG - 6



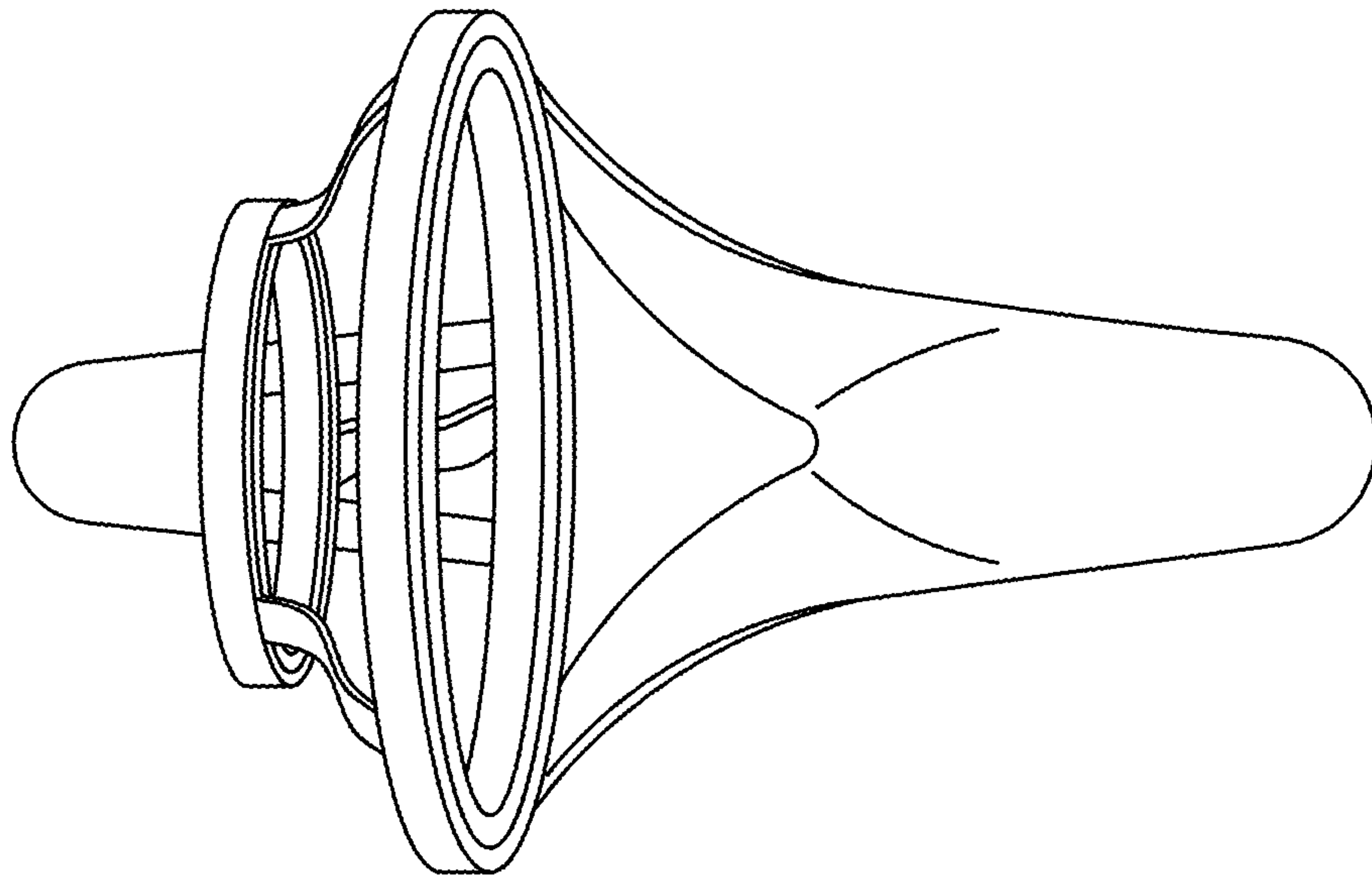


FIG - 7