

US00D726865S

(12) **United States Design Patent**  
**Nasef**

(10) **Patent No.:** **US D726,865 S**

(45) **Date of Patent:** **\*\* Apr. 14, 2015**

(54) **GUN SIGHT SET**

(71) Applicant: **Richard Nasef**, Santa Fe, NM (US)

(72) Inventor: **Richard Nasef**, Santa Fe, NM (US)

(\*\*) Term: **14 Years**

(21) Appl. No.: **29/471,163**

(22) Filed: **Oct. 29, 2013**

(51) **LOC (10) Cl.** ..... **22-01**

(52) **U.S. Cl.**  
USPC ..... **D22/109**

(58) **Field of Classification Search**

CPC ..... F41G 1/00; F41G 1/01; F41G 1/02;  
F41G 1/06; F41G 1/065; F41G 1/08; F41G  
1/10; F41G 1/12; F41G 1/14; F41G 1/30;  
F41G 1/32; F41G 1/38; F41G 1/40; F41G  
1/42; F41G 1/44; F41G 1/46; F41G 1/383;  
F41G 1/387; F41G 1/393; F41G 3/00; F41G  
3/005; F41G 3/02; F41G 3/04; F41G 3/06;  
F41G 3/14; F41G 11/002; F41G 11/003;  
F41G 11/004; F41G 11/005  
USPC ..... D22/108-109; 89/111-113; 359/399,  
359/823, 744; 42/104, 105, 111-113, 116,  
42/120, 124-126, 127-129, 141-148,  
42/133-140; 33/227, 229

See application file for complete search history.

(56) **References Cited**

U.S. PATENT DOCUMENTS

D315,776 S \* 3/1991 Novak ..... D22/109  
D428,103 S \* 7/2000 Kiesler et al. .... D22/109  
D669,554 S \* 10/2012 Warren ..... D22/109  
8,806,799 B1 \* 8/2014 Gordon ..... 42/130

\* cited by examiner

*Primary Examiner* — Michael A Pratt

(74) *Attorney, Agent, or Firm* — DLA Piper LLP (US)

(57) **CLAIM**

The ornamental design for a gun sight set, as shown and described.

**DESCRIPTION**

FIG. 1 is a front elevational view of a gun sight set showing my new design;

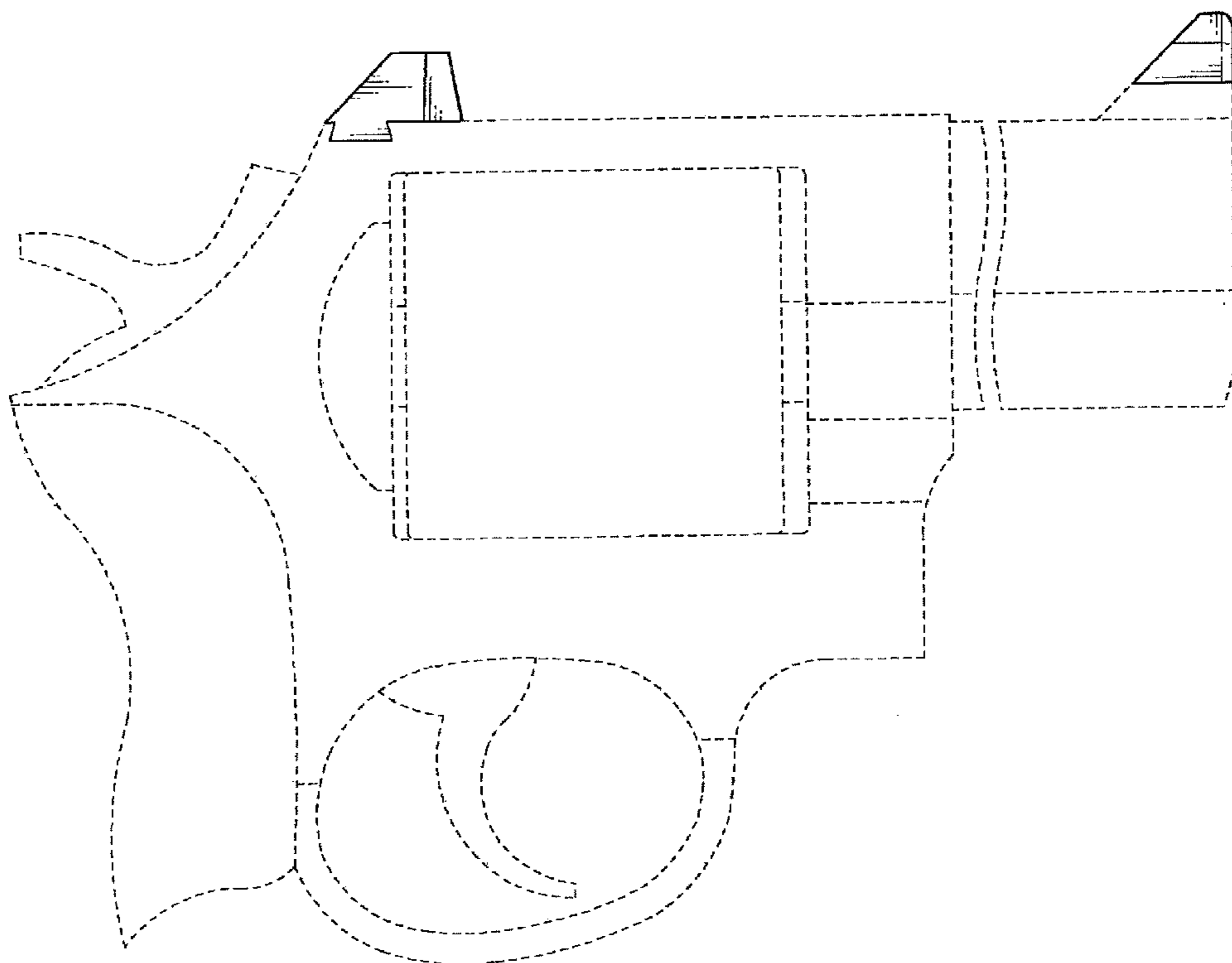
FIG. 2 is a top plan view thereof;

FIG. 3 is a left side elevational view thereof; and,

FIG. 4 is a right side elevational view thereof.

The broken line showing a partial gun, in FIGS. 1-4, is for illustrative purposes only and forms no part of the claimed design.

**1 Claim, 3 Drawing Sheets**



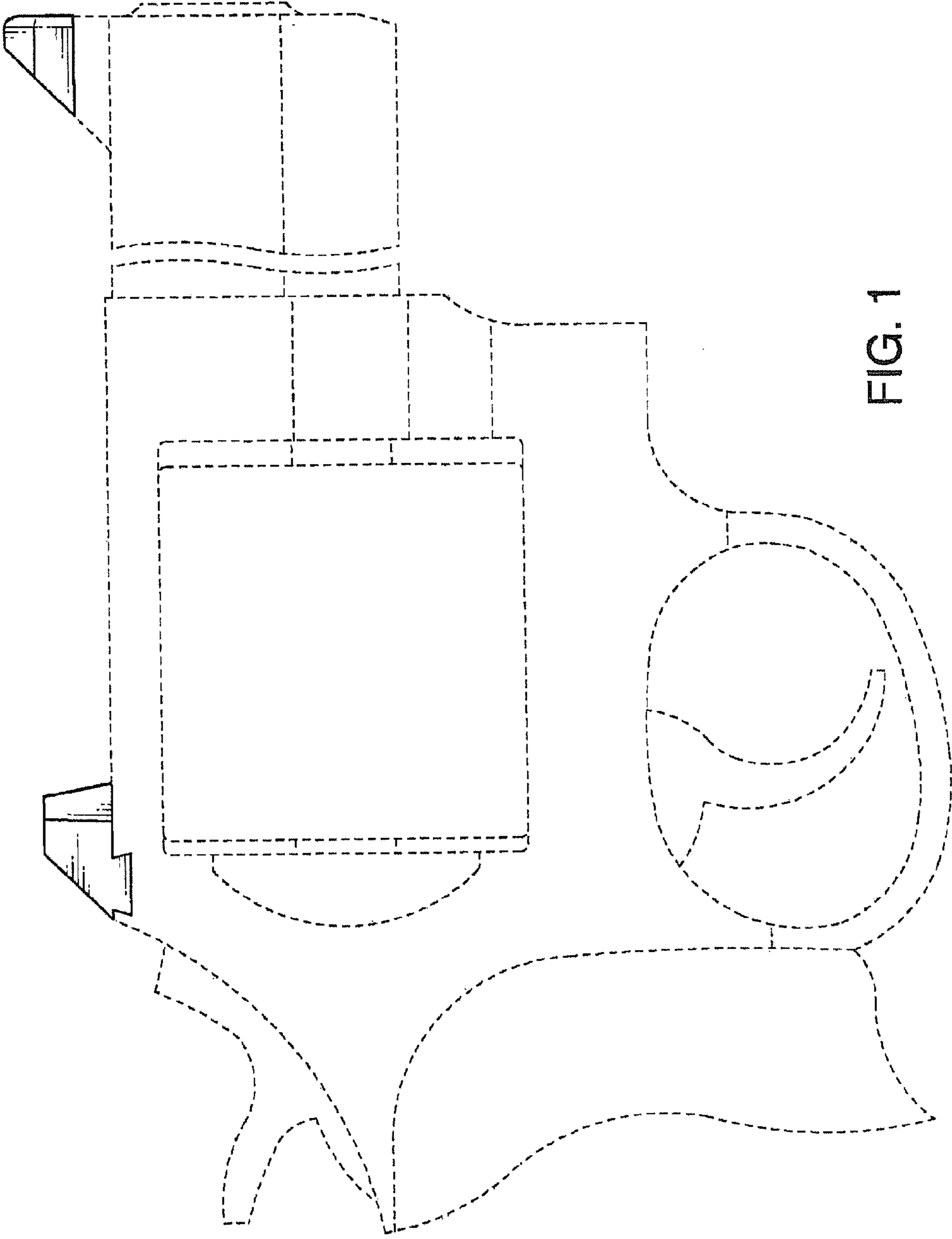


FIG. 1

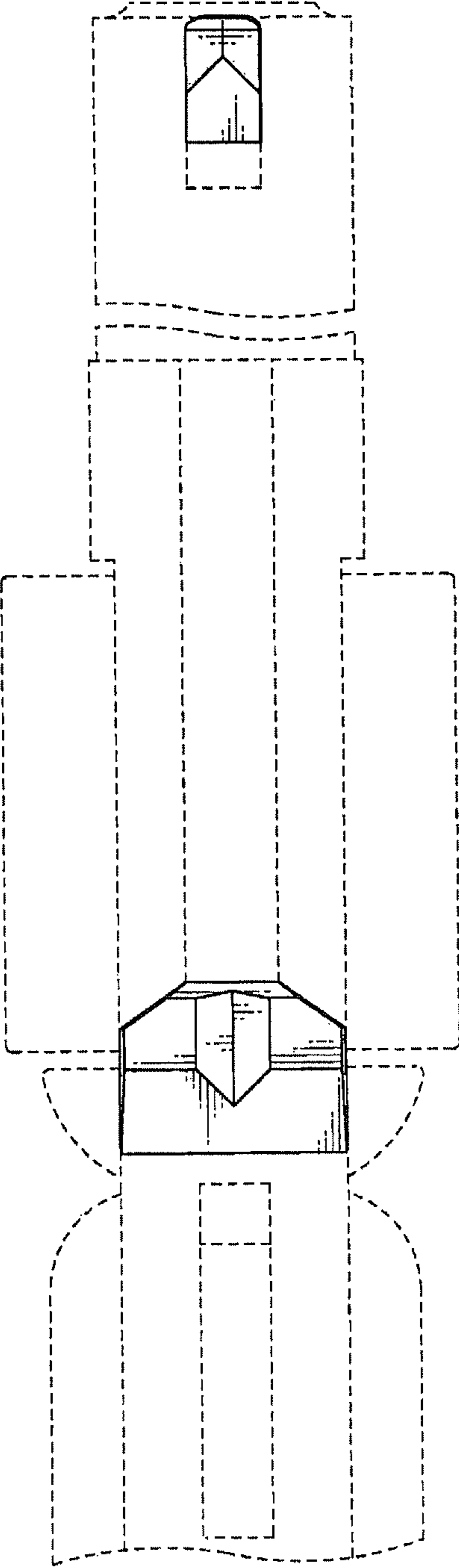


FIG. 2

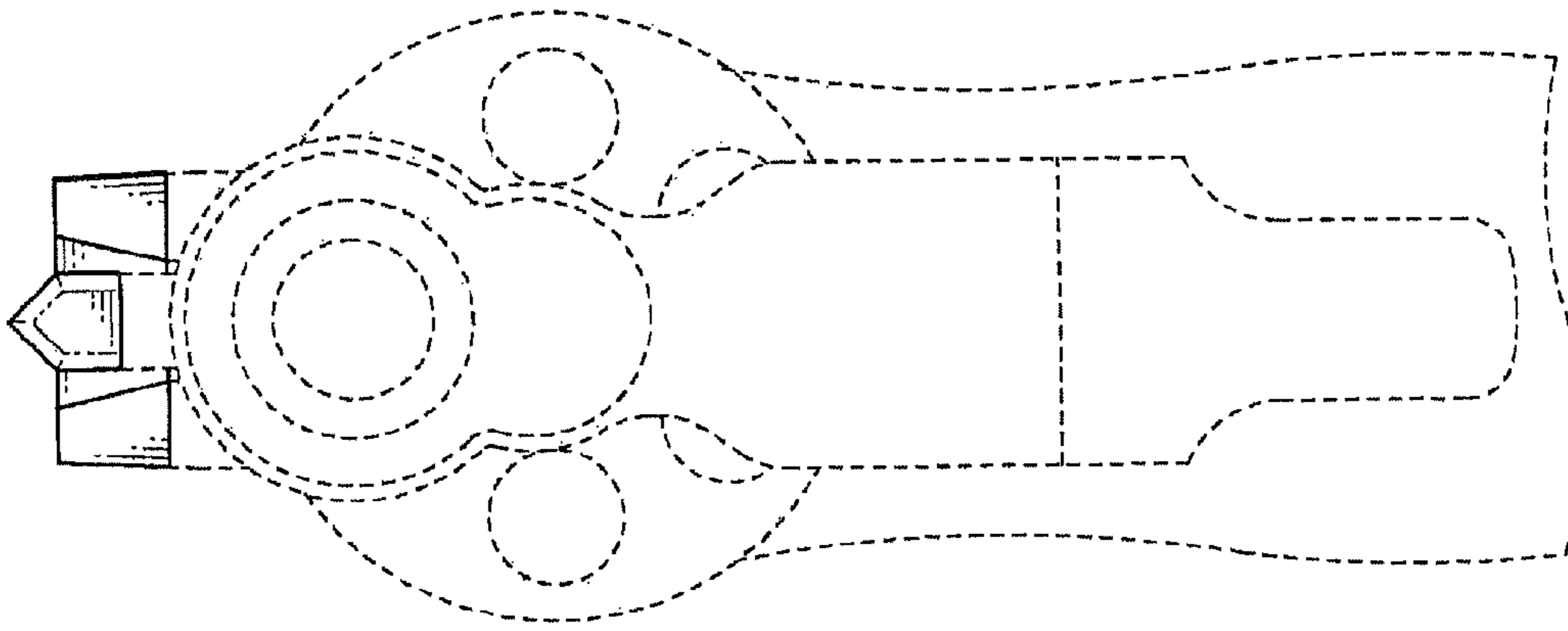


FIG. 4

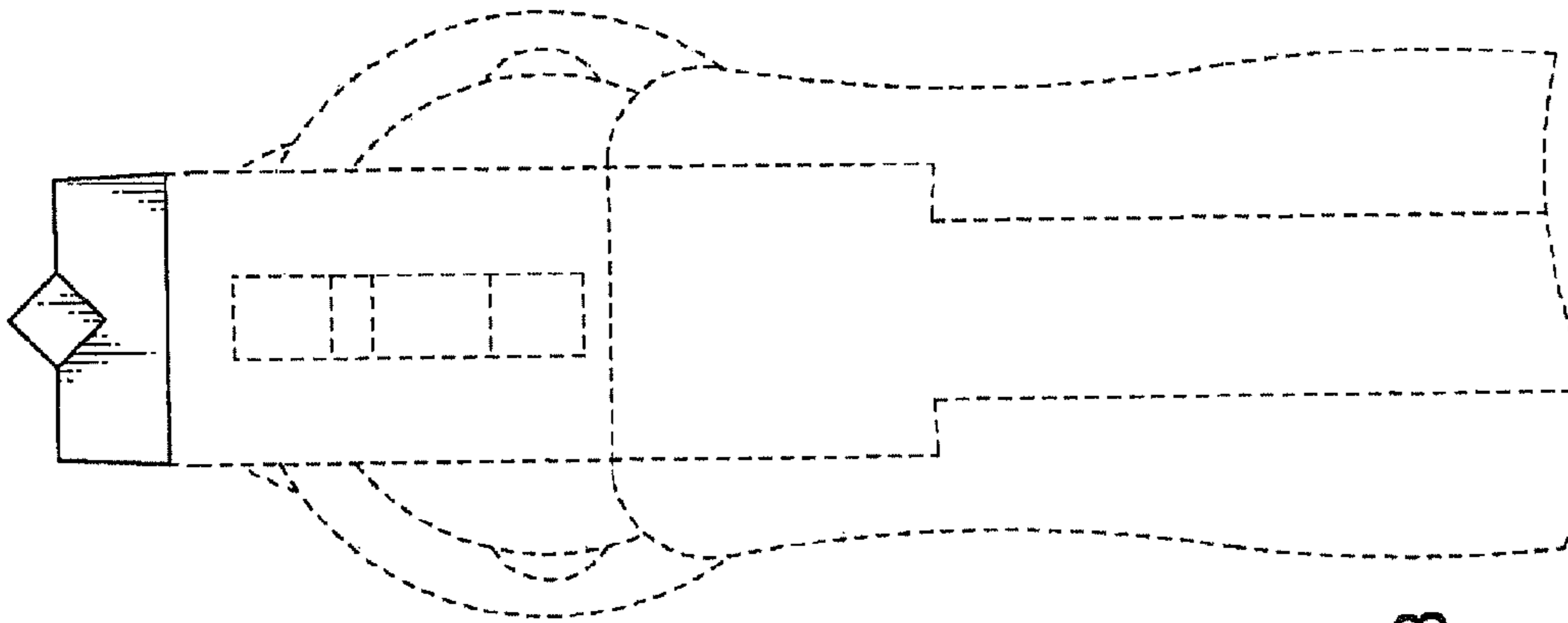


FIG. 3