



US00D726864S

(12) **United States Design Patent**
Huang, Sr.

(10) **Patent No.:** **US D726,864 S**
(45) **Date of Patent:** **** Apr. 14, 2015**

- (54) **LOW PROFILE ADAPTER MOUNT FOR .22 RAIL AND PICATINNY/WEAVER RAIL**
- (71) Applicant: **Qiming Huang, Sr.**, Windsor (CA)
- (72) Inventor: **Qiming Huang, Sr.**, Windsor (CA)
- (**) Term: **14 Years**
- (21) Appl. No.: **29/477,666**
- (22) Filed: **Dec. 24, 2013**
- (51) **LOC (10) Cl.** **22-01**
- (52) **U.S. Cl.**
USPC **D22/108**
- (58) **Field of Classification Search**
CPC F41C 23/00; F41C 27/00; F41C 27/06
USPC D22/108; 42/90, 85, 106, 113–114,
42/124–128; 89/37.03–37.04, 41.17
See application file for complete search history.

(56) **References Cited**

U.S. PATENT DOCUMENTS

D435,885 S *	1/2001	Wallace	D22/110
D487,792 S *	3/2004	Selvaggio	D22/110
D577,094 S *	9/2008	Wallace	D22/109
7,481,016 B2 *	1/2009	Gonzalez	42/127
7,571,562 B2 *	8/2009	Sutherby	42/90
7,685,758 B2 *	3/2010	Romer	42/124
7,694,450 B2 *	4/2010	Keng	42/124
7,870,688 B1 *	1/2011	Dasiukevich	42/124
D634,389 S *	3/2011	Lin et al.	D22/108
D637,683 S *	5/2011	Salsman, Sr.	D22/108
D654,134 S *	2/2012	Edge et al.	D22/108
8,141,285 B2 *	3/2012	Brown	42/71.01
8,146,283 B2 *	4/2012	Genes et al.	42/90
8,156,678 B2 *	4/2012	Hoel et al.	42/90

8,191,300 B2 *	6/2012	Daniel	42/71.01
8,230,634 B1 *	7/2012	Davies et al.	42/75.02
8,336,244 B2 *	12/2012	Peterson et al.	42/90
2009/0101776 A1 *	4/2009	Peterson et al.	248/205.1
2010/0319231 A1 *	12/2010	Stone et al.	42/71.01
2012/0102803 A1 *	5/2012	Troy et al.	42/71.01
2012/0106170 A1 *	5/2012	Matthews et al.	362/311.06

* cited by examiner

Primary Examiner — Michael A Pratt

(57) **CLAIM**

The ornamental designs for a low profile adapter mount for .22 rail and picatinny/weaver rail, as shown and described.

DESCRIPTION

FIG. 1 is an isometric perspective view of the first embodiment of low profile adapter mount for .22 rail and picatinny/weaver rail

FIG. 2 is a front view of adapter mount of FIG. 1

FIG. 3 is a rear view of adapter mount of FIG. 1

FIG. 4 is a right view of adapter mount of FIG. 1

FIG. 5 is a left view of adapter mount of FIG. 1

FIG. 6 is a top view of adapter mount of FIG. 1

FIG. 7 is a bottom view of adapter mount of FIG. 1

FIG. 8 is an isometric perspective view of the second embodiment of low profile adapter mount for .22 rail and picatinny/weaver rail

FIG. 9 is a front view of adapter mount of FIG. 8

FIG. 10 is a left view of adapter mount of FIG. 8

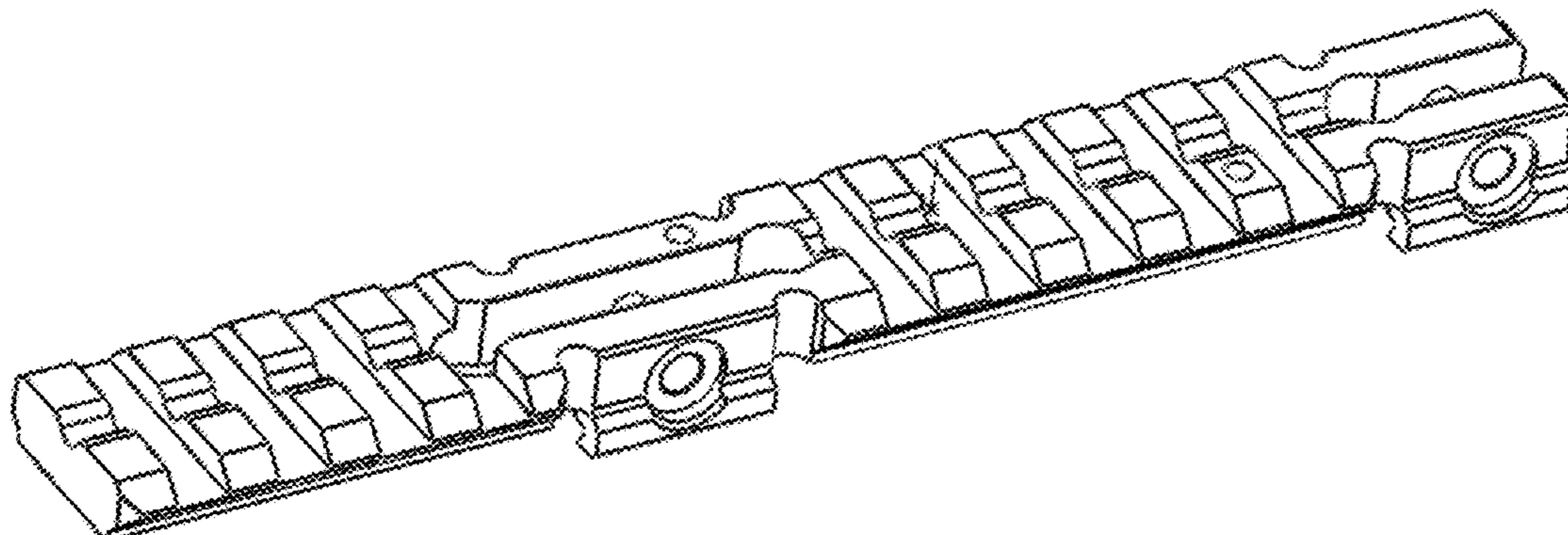
FIG. 11 is a top view of adapter mount of FIG. 8

FIG. 12 is a bottom view of adapter mount of FIG. 8

FIG. 13 is an isometric perspective view of the third embodiment of low profile adapter mount for .22 rail and picatinny/weaver rail; and,

FIG. 14 is a front view of adapter mount of FIG. 13.

1 Claim, 14 Drawing Sheets



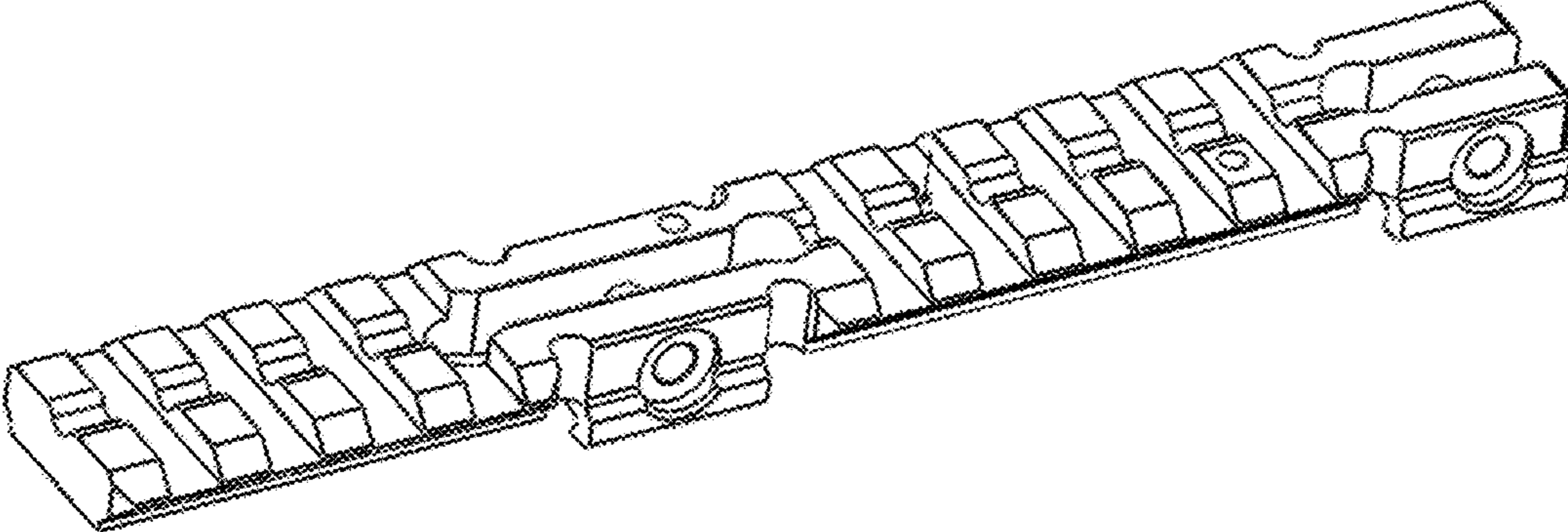


FIG. 1

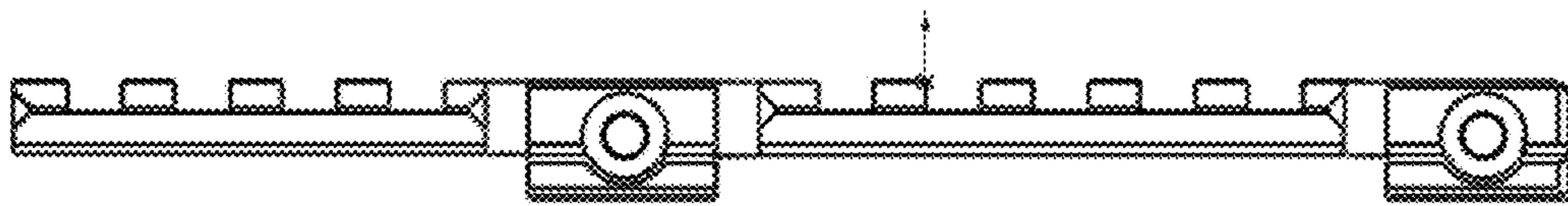


FIG. 2

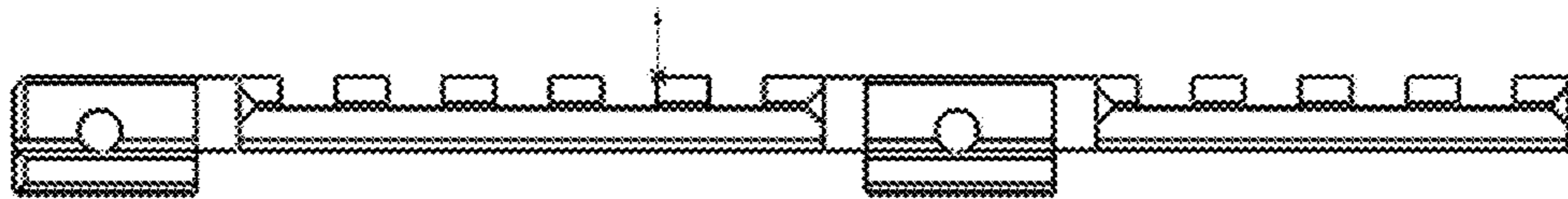


FIG. 3

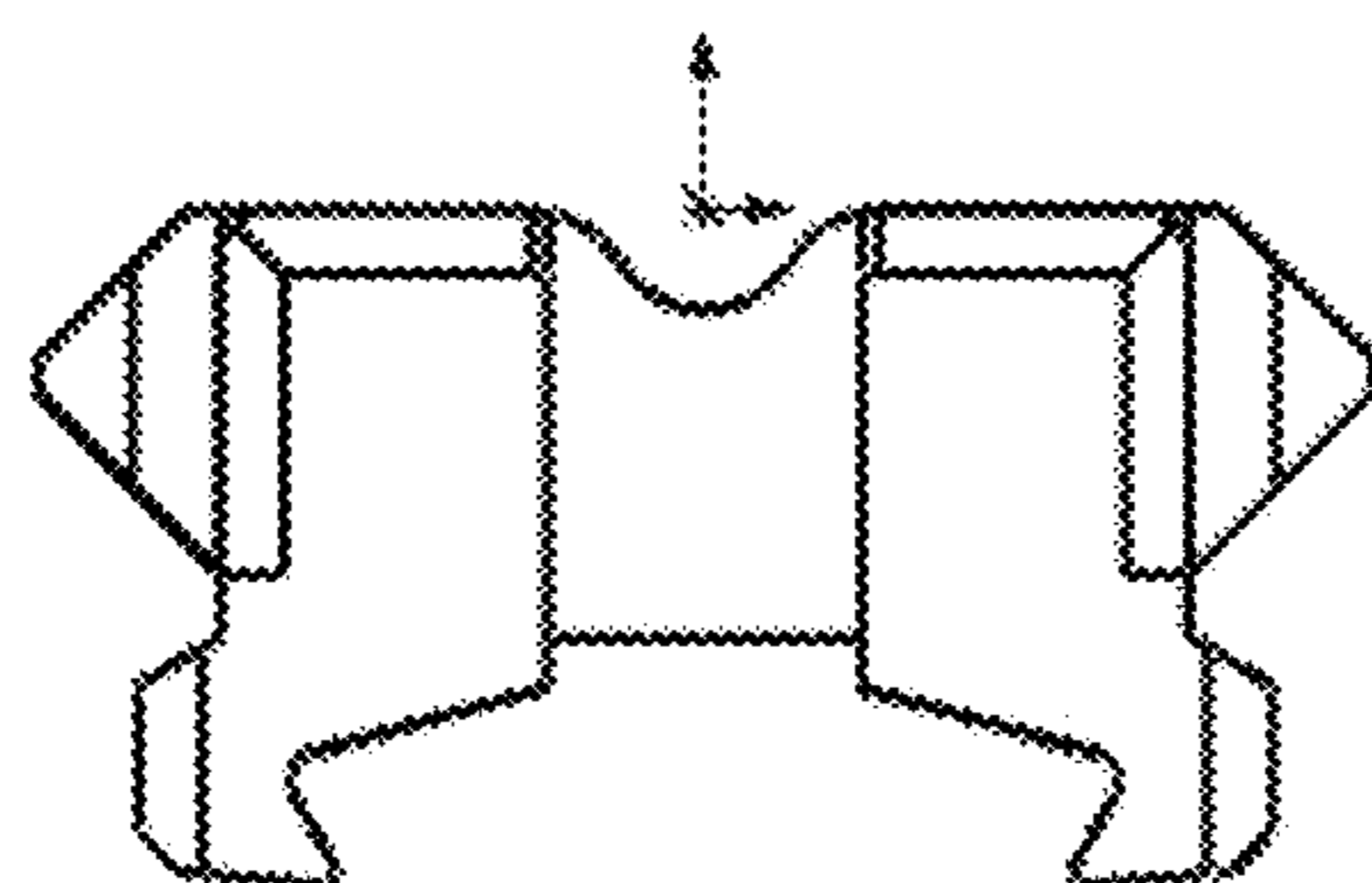


FIG. 4

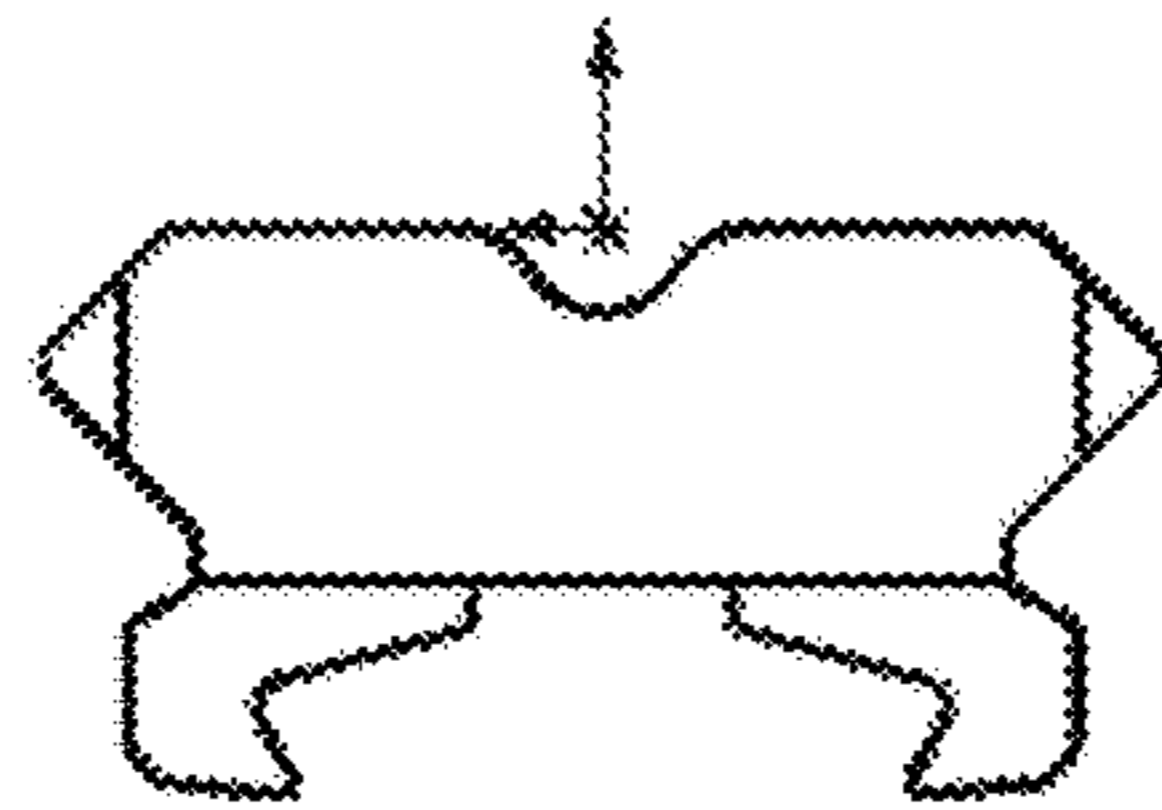


FIG. 5

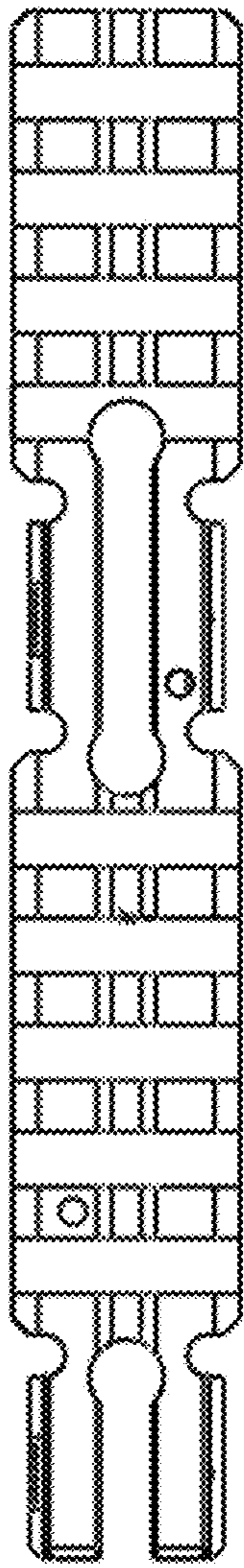


FIG. 6

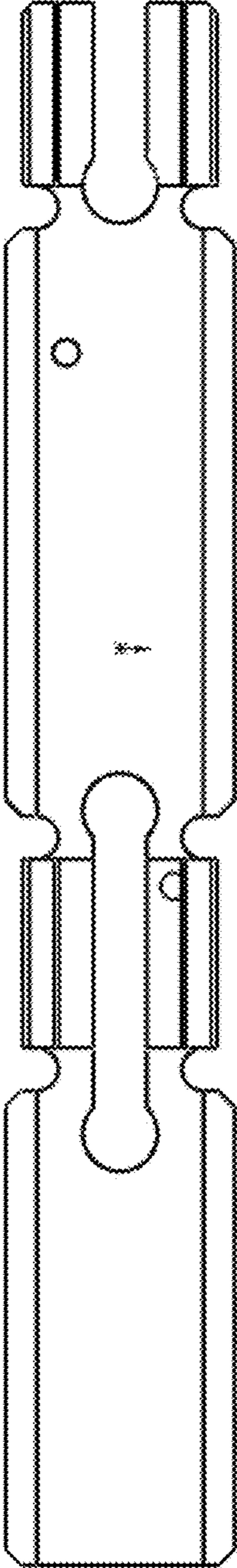


FIG. 7

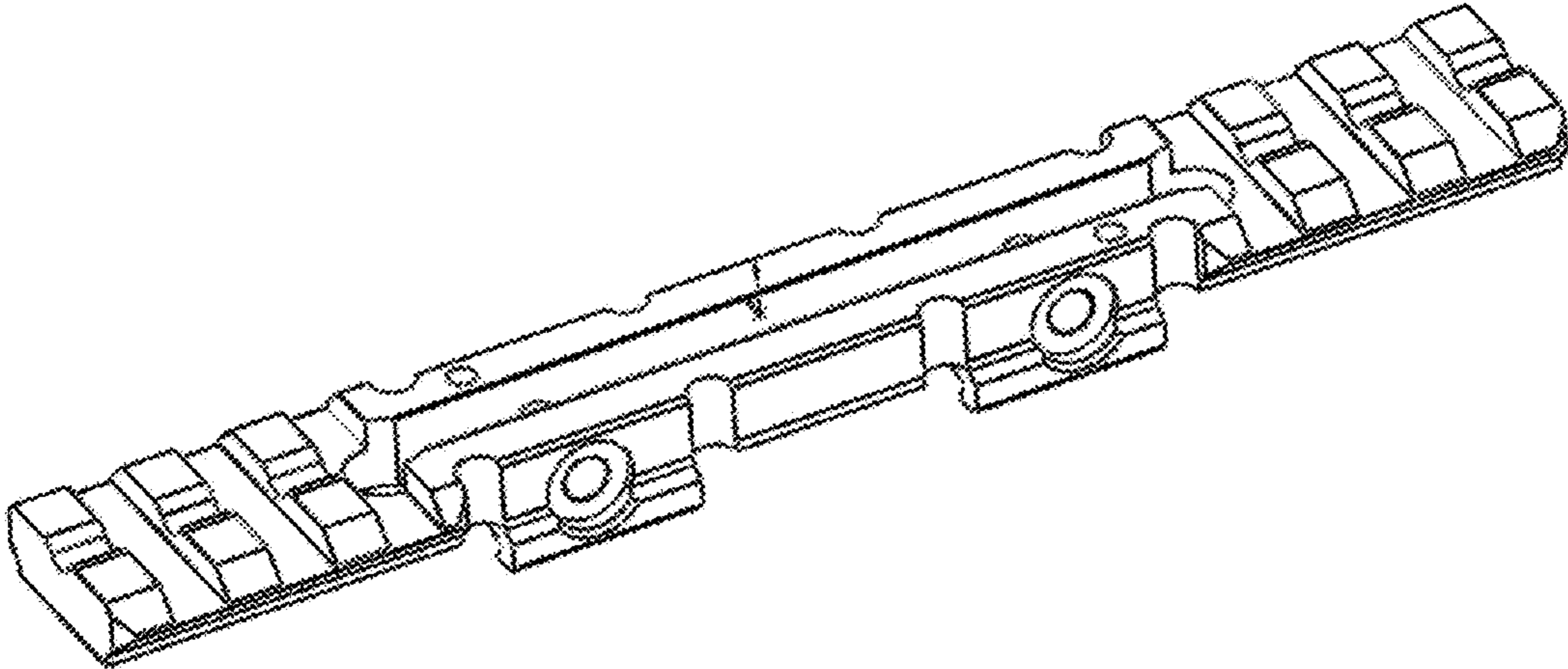


FIG.8

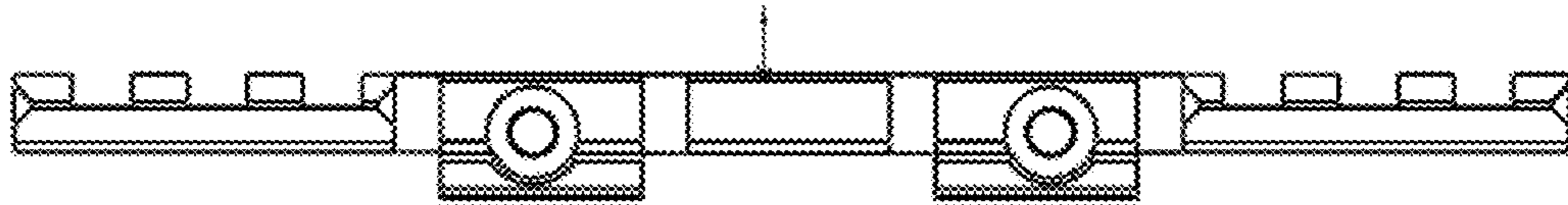


FIG. 9

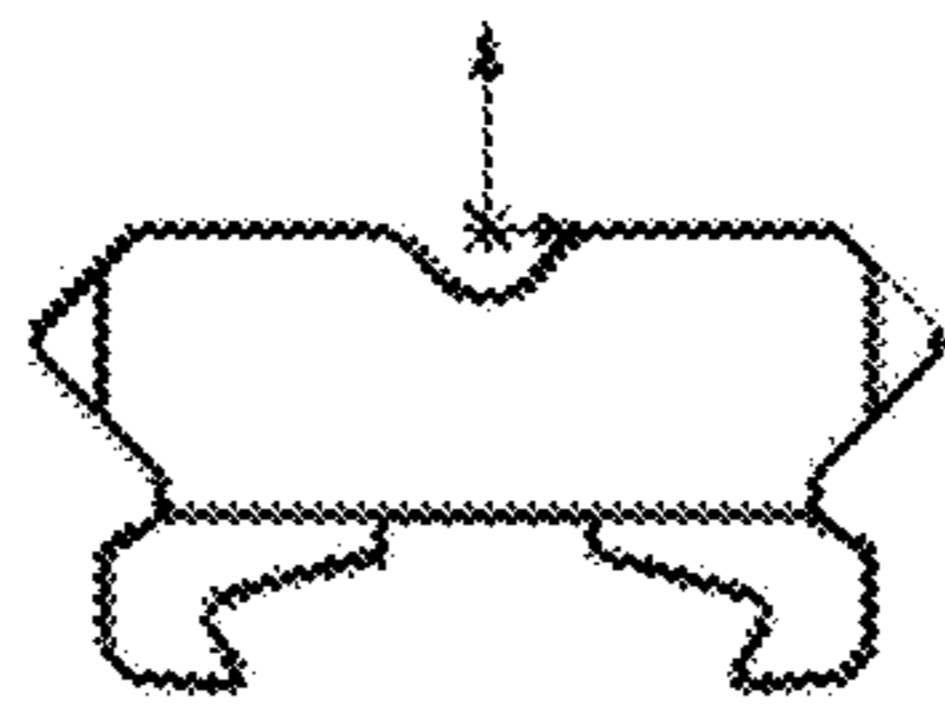


FIG. 10

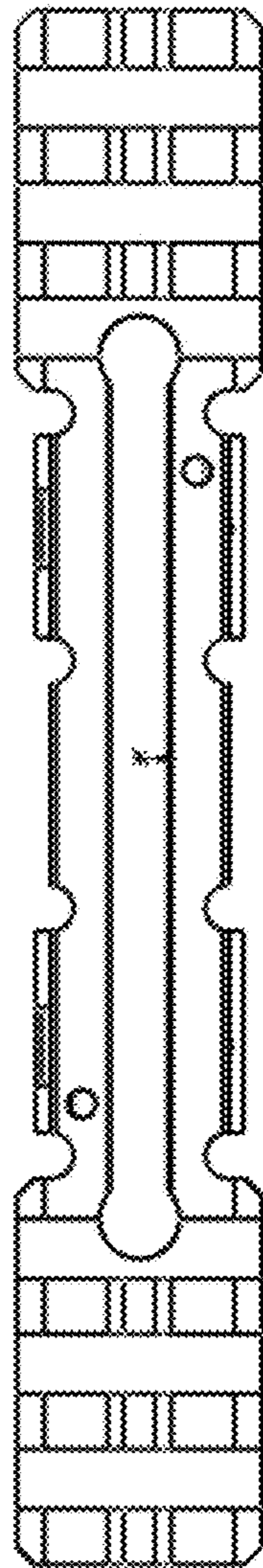


FIG. 11

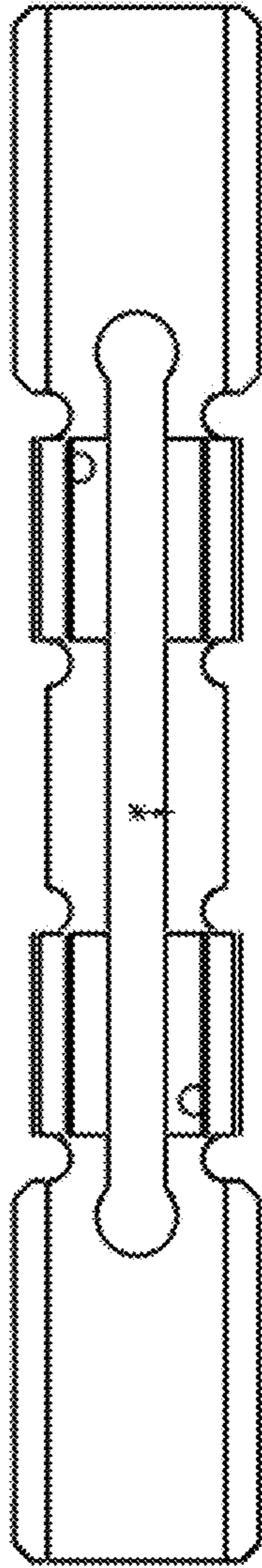


FIG. 12

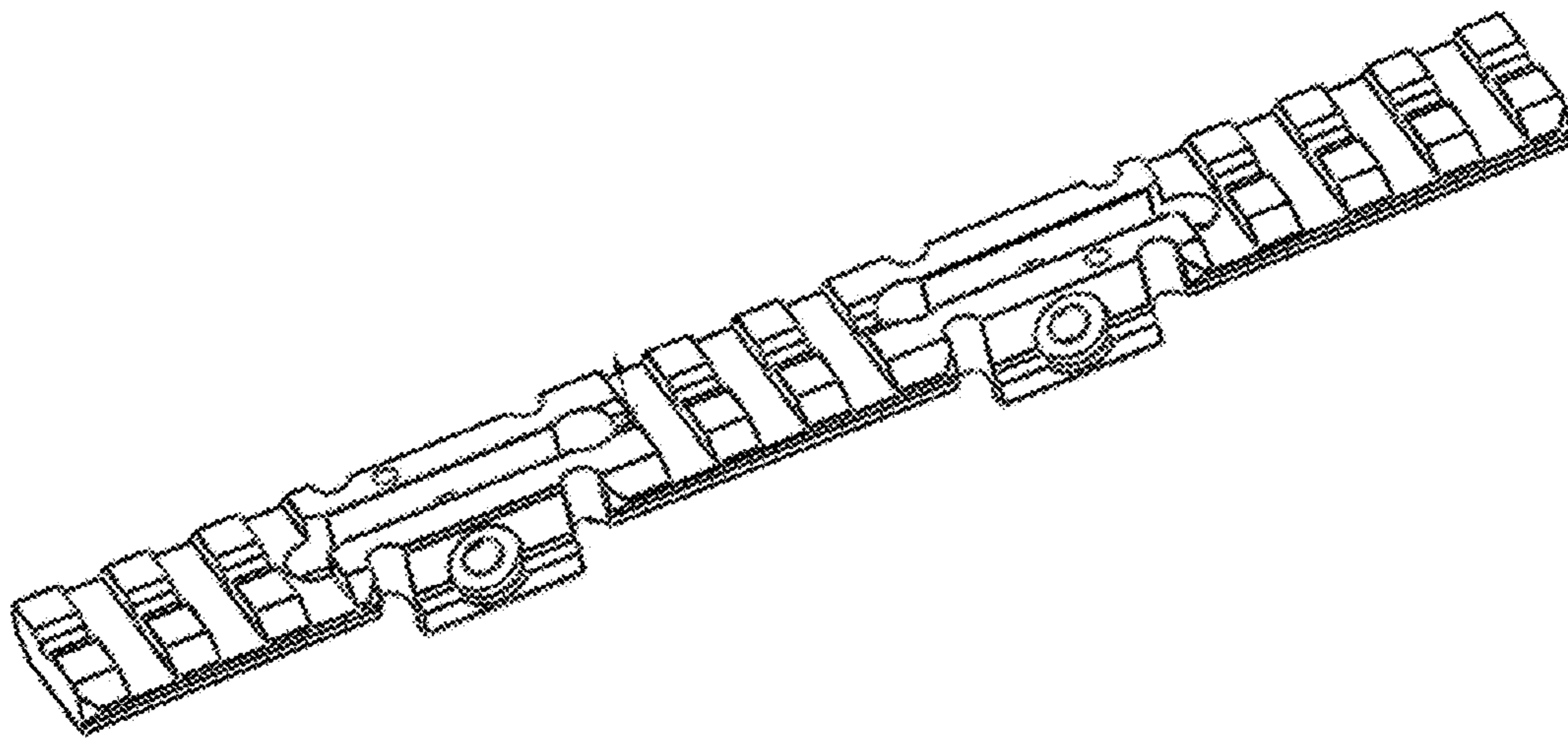


FIG. 13

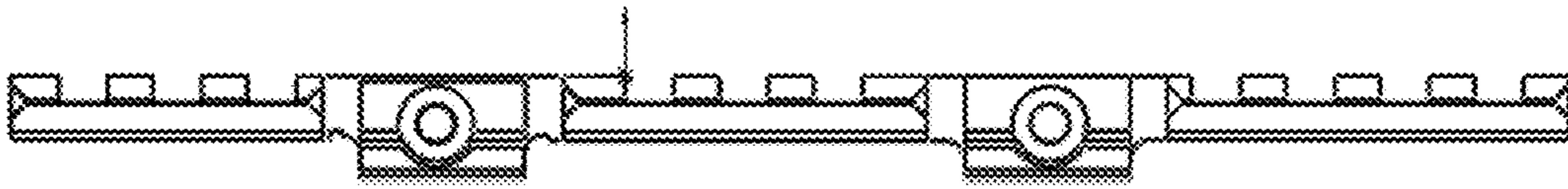


FIG. 14