



US00D726863S

(12) **United States Design Patent**  
**Crume, Sr.**

(10) **Patent No.:** **US D726,863 S**  
(45) **Date of Patent:** **\*\* Apr. 14, 2015**

(54) **FIREARM RECEIVER**

(71) Applicant: **Ronald L. Crume, Sr.**, Grants Pass, OR  
(US)

(72) Inventor: **Ronald L. Crume, Sr.**, Grants Pass, OR  
(US)

(\*\*) Term: **14 Years**

(21) Appl. No.: **29/476,559**

(22) Filed: **Dec. 13, 2013**

(51) **LOC (10) Cl.** ..... **22-01**

(52) **U.S. Cl.**  
USPC ..... **D22/108**

(58) **Field of Classification Search**  
CPC ..... F41C 7/00; F41C 7/11; F41C 7/12  
USPC ..... D22/103, 108; D21/572-575; 42/51,  
42/71.01, 75.01, 75.02, 90, 94, 134, 136,  
42/139, 125, 72, 111; 89/40.06, 41.19,  
89/37.04, 33.04, 191.01, 200-204;  
124/67, 66, 72, 74

See application file for complete search history.

(56) **References Cited**

**U.S. PATENT DOCUMENTS**

4,735,007	A	4/1988	Gal	
7,806,039	B1 *	10/2010	Gomez	89/132
7,823,312	B2	11/2010	Faifer	
7,832,326	B1 *	11/2010	Barrett	89/191.01
7,921,587	B2	4/2011	Mayberry	
D644,291	S	8/2011	Faifer	

D647,589	S	10/2011	Rogers et al.	
8,051,595	B2 *	11/2011	Hochstrate et al.	42/75.01
8,127,480	B1	3/2012	McManus et al.	
8,307,750	B2 *	11/2012	Vuksanovich et al.	89/191.01
8,468,929	B2 *	6/2013	Larson et al.	89/193
D689,974	S *	9/2013	Sharps	D22/108
8,533,987	B2	9/2013	Rogers et al.	
2011/0185617	A1	8/2011	Brixius	
2011/0247483	A1 *	10/2011	Overstreet et al.	89/138
2012/0111183	A1 *	5/2012	Hochstrate et al.	89/193
2012/0132068	A1 *	5/2012	Kucynko	89/191.01
2012/0137562	A1 *	6/2012	Langevin et al.	42/75.03
2012/0167424	A1 *	7/2012	Gomez	42/14
2013/0068089	A1 *	3/2013	Brown	89/193
2013/0174457	A1 *	7/2013	Gangl et al.	42/16

\* cited by examiner

*Primary Examiner* — Michael A Pratt

(74) *Attorney, Agent, or Firm* — Jerry Haynes Law

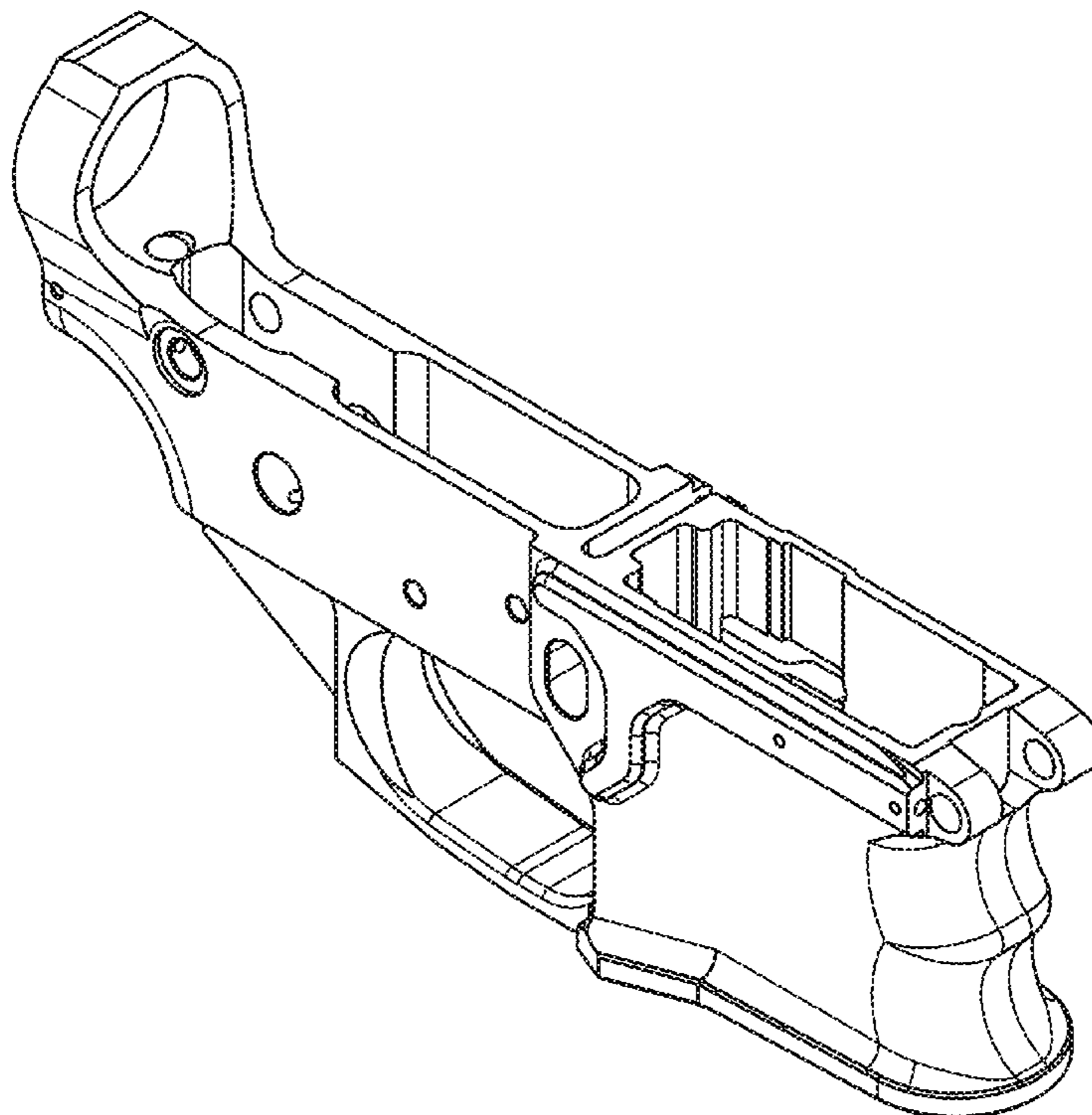
(57) **CLAIM**

The ornamental design for a firearm receiver, as shown and described.

**DESCRIPTION**

FIG. 1 is a right side perspective view of a firearm receiver showing the new design;  
FIG. 2 is a front view thereof;  
FIG. 3 is a rear view thereof;  
FIG. 4 is a bottom view thereof;  
FIG. 5 is a left side view thereof;  
FIG. 6 is a top view thereof; and,  
FIG. 7 is right side view thereof.

**1 Claim, 4 Drawing Sheets**



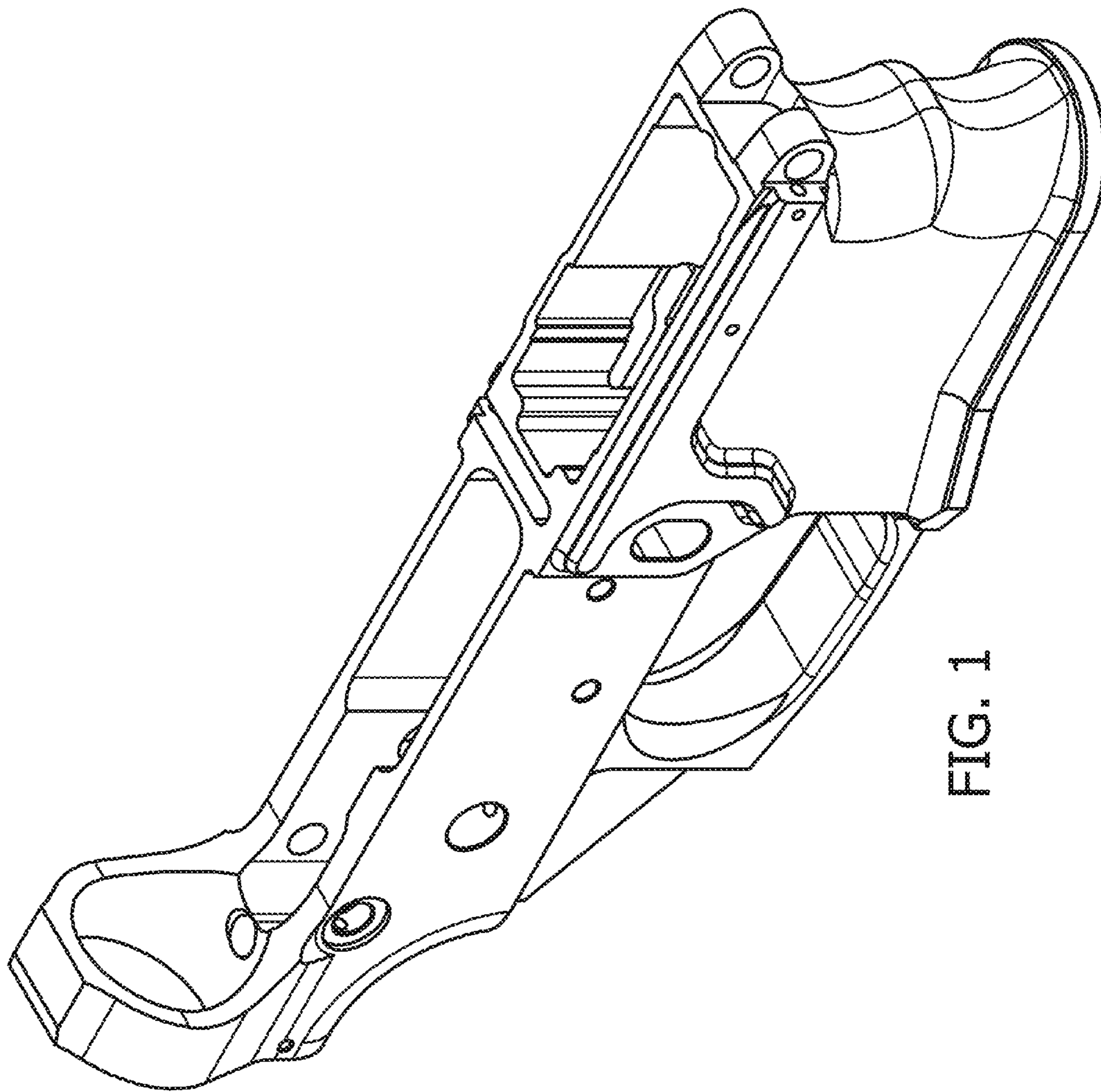


FIG. 1

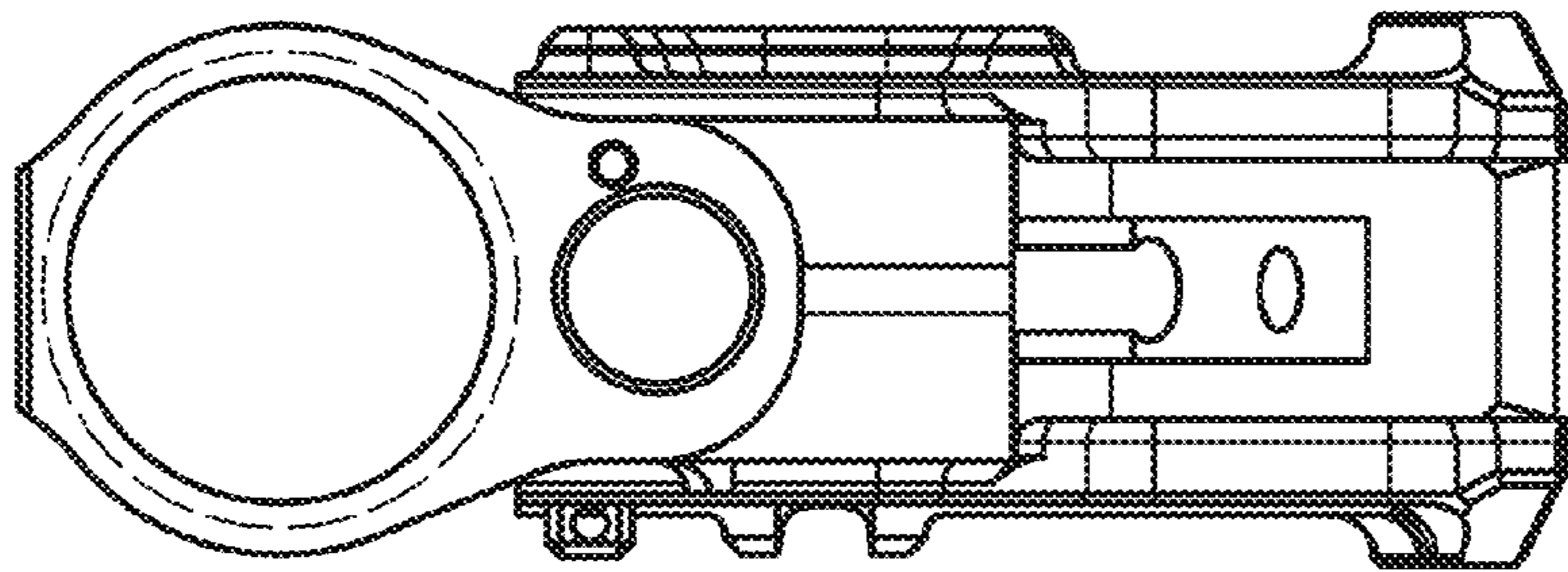


FIG. 3

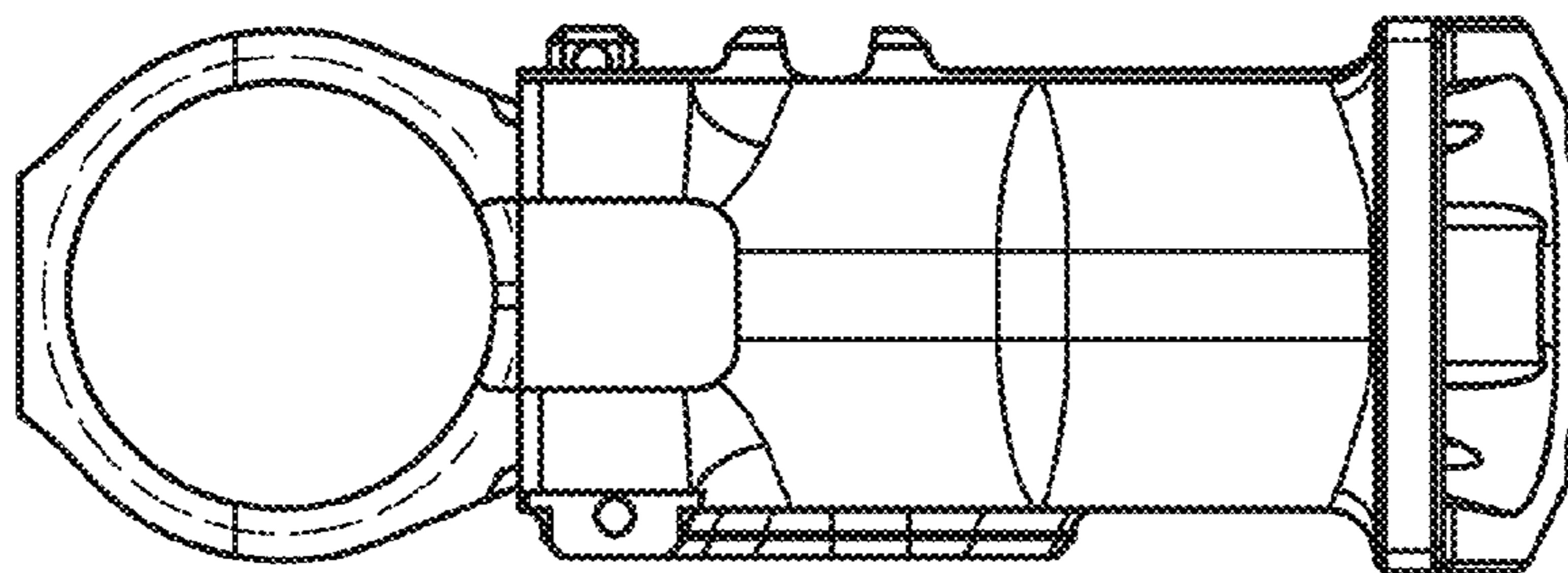


FIG. 2

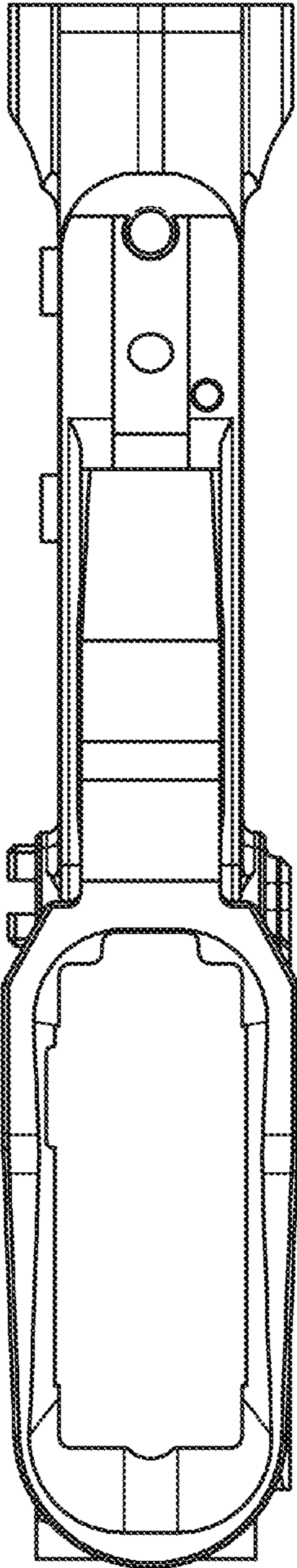


FIG. 4

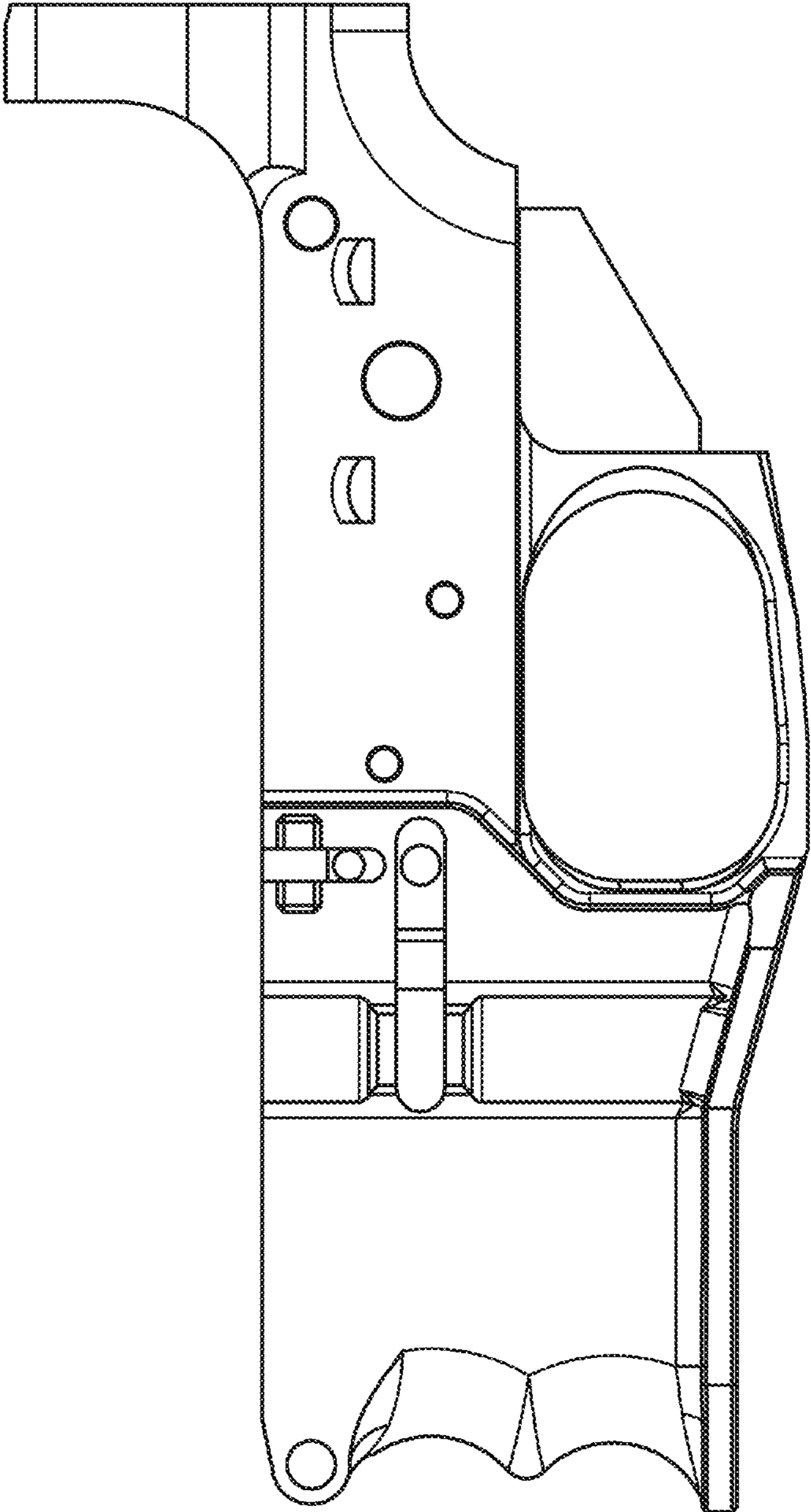


FIG. 5

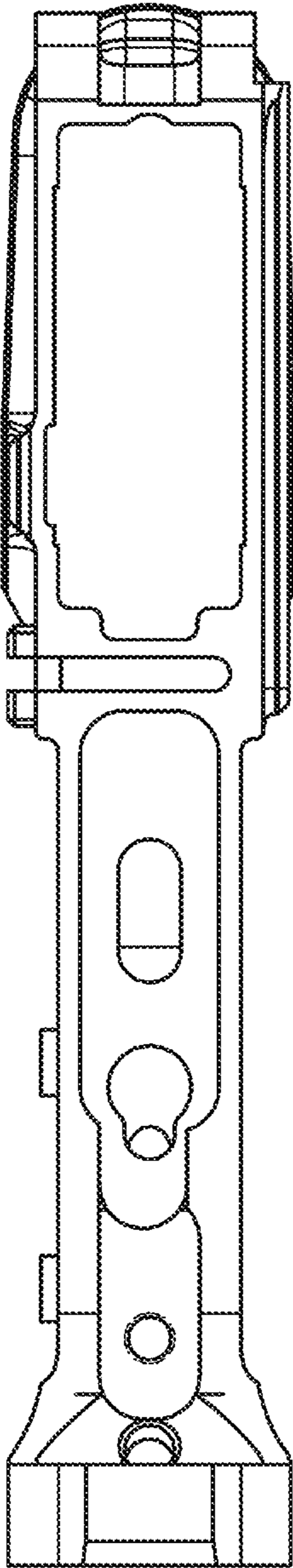


FIG. 6

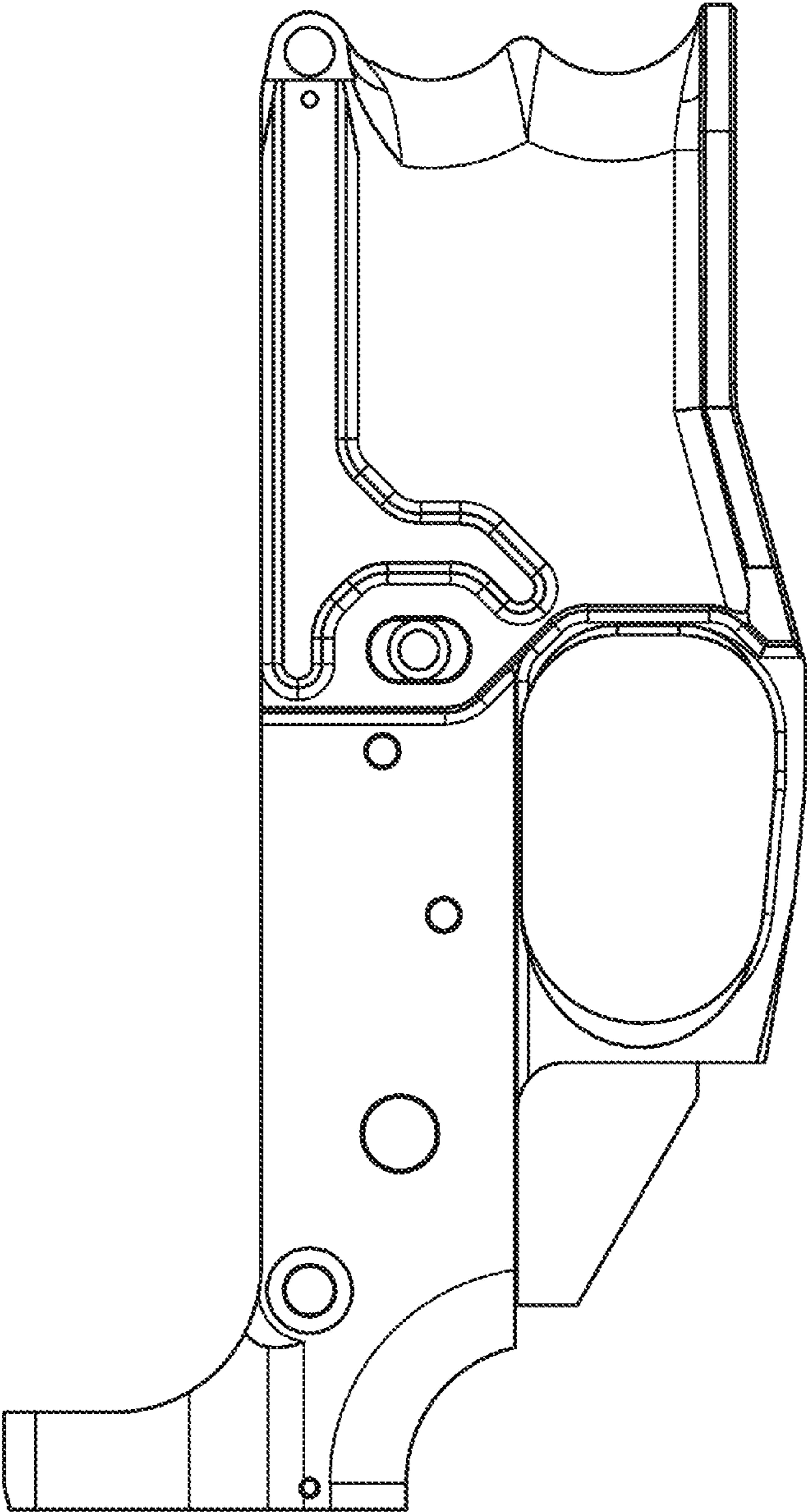


FIG. 7