

US00D726861S

(12) **United States Design Patent**
Siddle et al.

(10) **Patent No.:** **US D726,861 S**
(45) **Date of Patent:** **** Apr. 14, 2015**

(54) **HAND GRIP FOR A FIREARM**

(71) Applicant: **Double Nickel Holdings, LLC,**
Millstadt, IL (US)

(72) Inventors: **Bruce K. Siddle,** Millstadt, IL (US);
Kevin Siddle, Millstadt, IL (US)

(73) Assignee: **Double Nickel Holdings, LLC,**
Millstadt, IL (US)

(**) Term: **14 Years**

(21) Appl. No.: **29/471,176**

(22) Filed: **Oct. 29, 2013**

(51) **LOC (10) Cl.** **22-01**

(52) **U.S. Cl.**
USPC **D22/108**

(58) **Field of Classification Search**
CPC F41C 23/10; F41C 23/14; F41C 23/16;
F41C 23/18
USPC D22/108; 362/109–114; 42/90, 94, 114,
42/117, 124–127, 131, 146
See application file for complete search history.

(56) **References Cited**

U.S. PATENT DOCUMENTS

4,771,562 A	9/1988	Ruger
D344,124 S	2/1994	Cupp
5,406,731 A	4/1995	Stevens
D430,916 S	9/2000	Bubits
D562,931 S	2/2008	Szabo

D599,430 S	9/2009	Siddle et al.	
7,743,542 B1 *	6/2010	Novak	42/7
D673,238 S *	12/2012	Siddle et al.	D22/108
2007/0180752 A1	8/2007	Houde-Walter	
2009/0282718 A1	11/2009	Bartley	

* cited by examiner

Primary Examiner — Michael A Pratt

(74) *Attorney, Agent, or Firm* — Thompson Coburn LLP

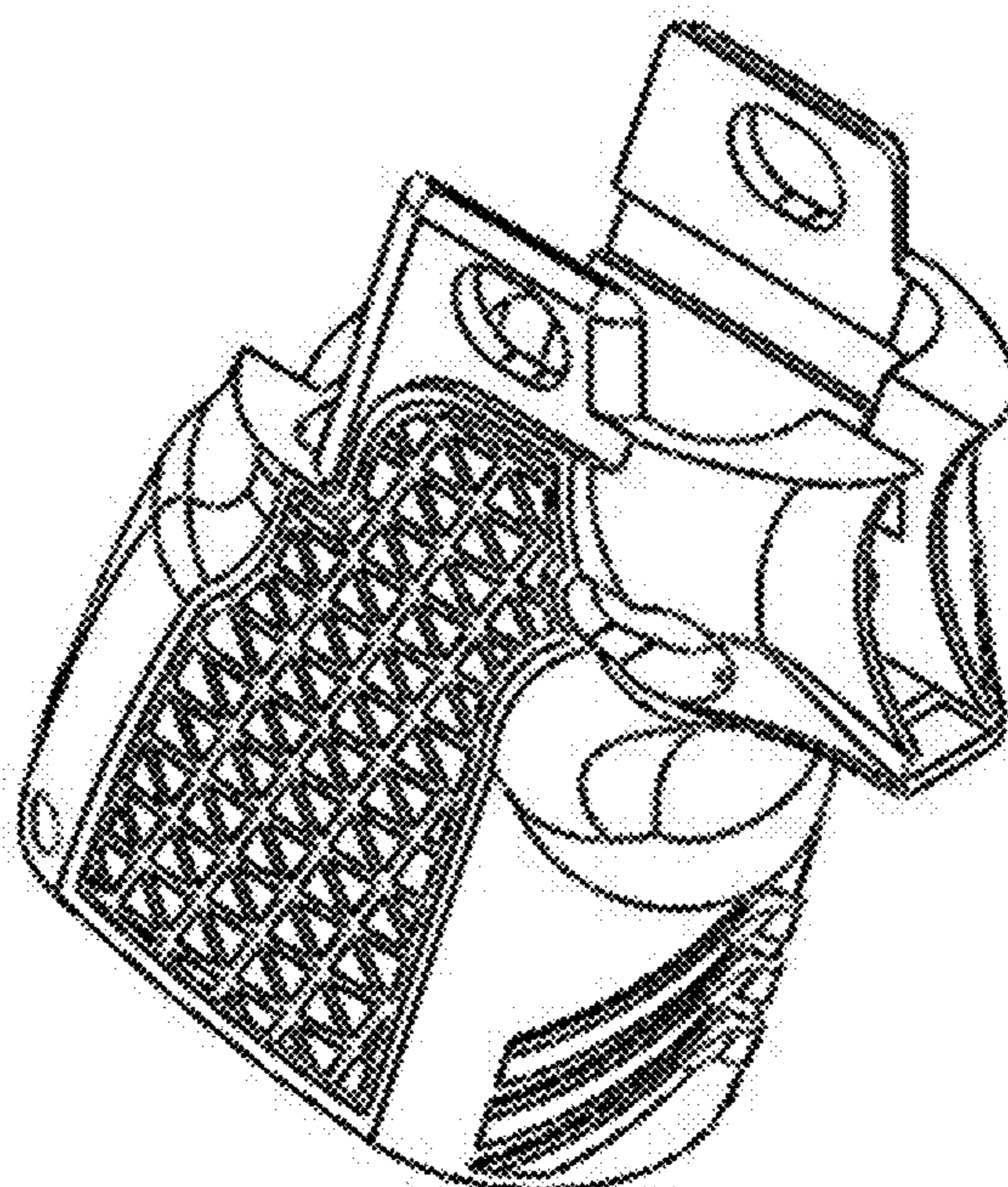
(57) **CLAIM**

An ornamental design for a hand grip for a firearm, as shown and described.

DESCRIPTION

FIG. 1 is a top perspective view of our new design of a hand grip for a firearm;
FIG. 2 is alternate top perspective view of the hand grip of FIG. 1;
FIG. 3 is a bottom perspective view of the hand grip of FIG. 1;
FIG. 4 is an alternate bottom perspective view of the hand grip of FIG. 1;
FIG. 5 is a top view of the hand grip of FIG. 1;
FIG. 6 is a side view of the hand grip of FIG. 1;
FIG. 7 is a front view of the hand grip of FIG. 1;
FIG. 8 is an alternate side view of the hand grip of FIG. 1;
FIG. 9 is a rear view of the hand grip of FIG. 1; and,
FIG. 10 is a bottom view of the hand grip of FIG. 1.

1 Claim, 4 Drawing Sheets



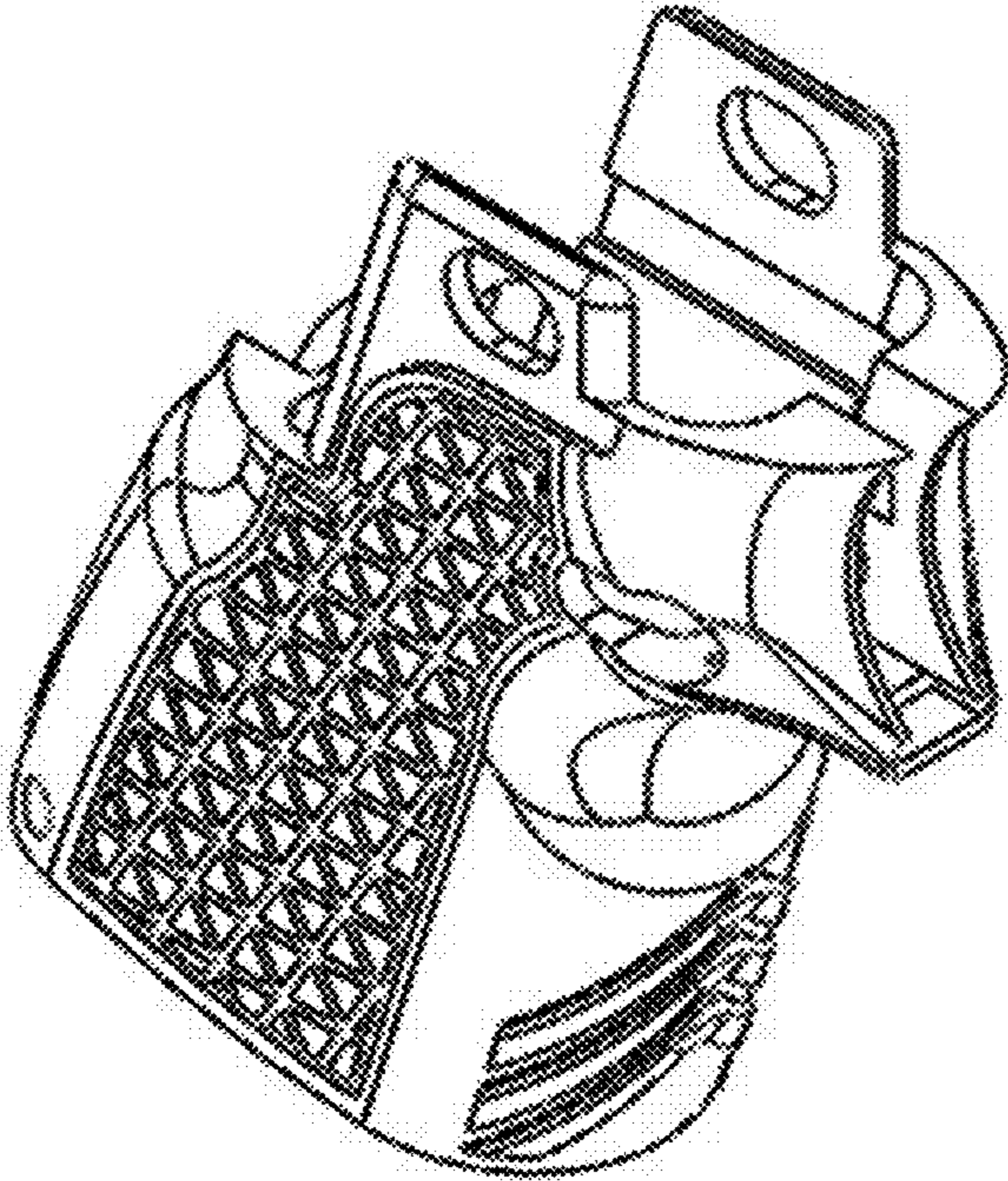


Fig. 1

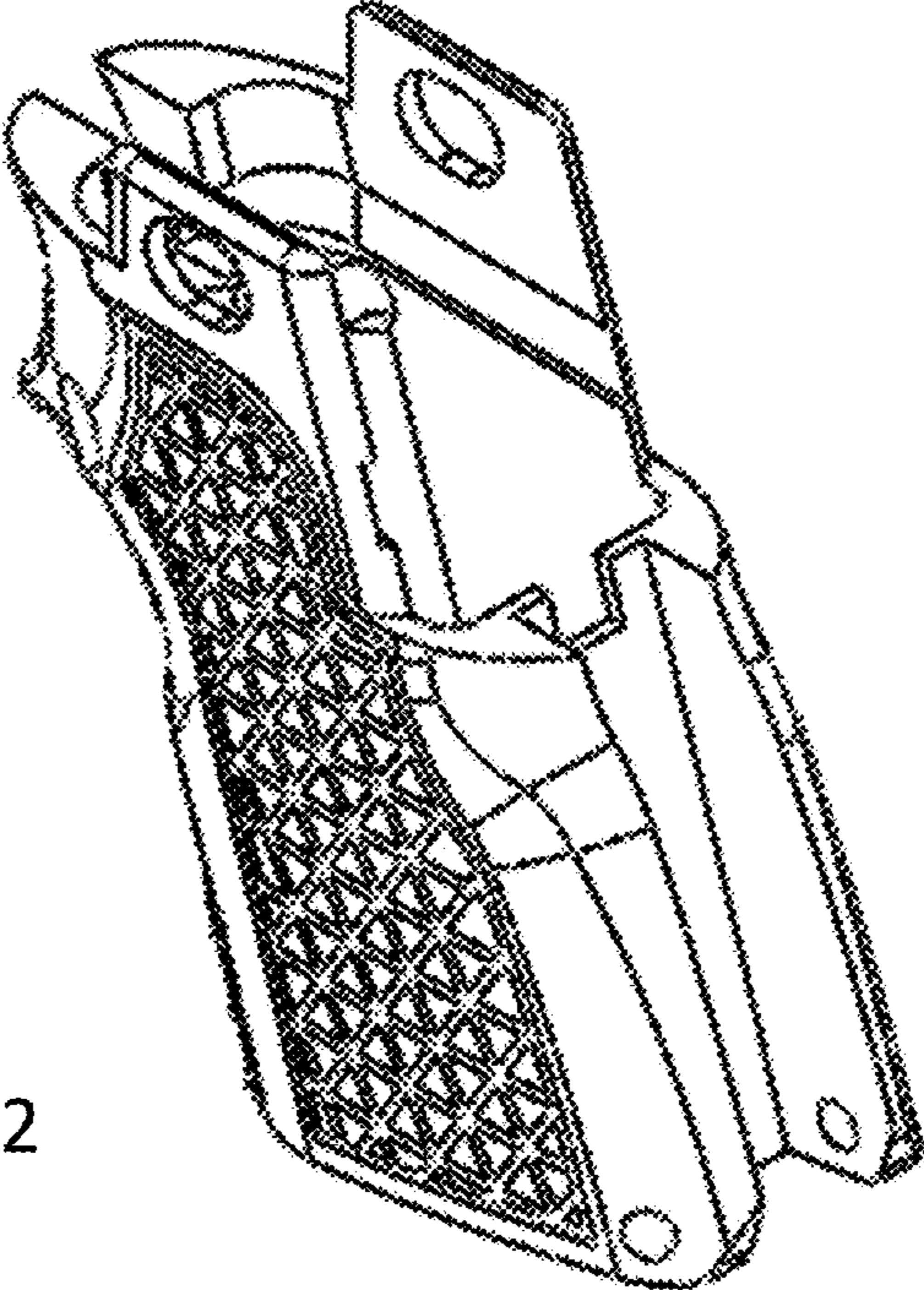


Fig. 2

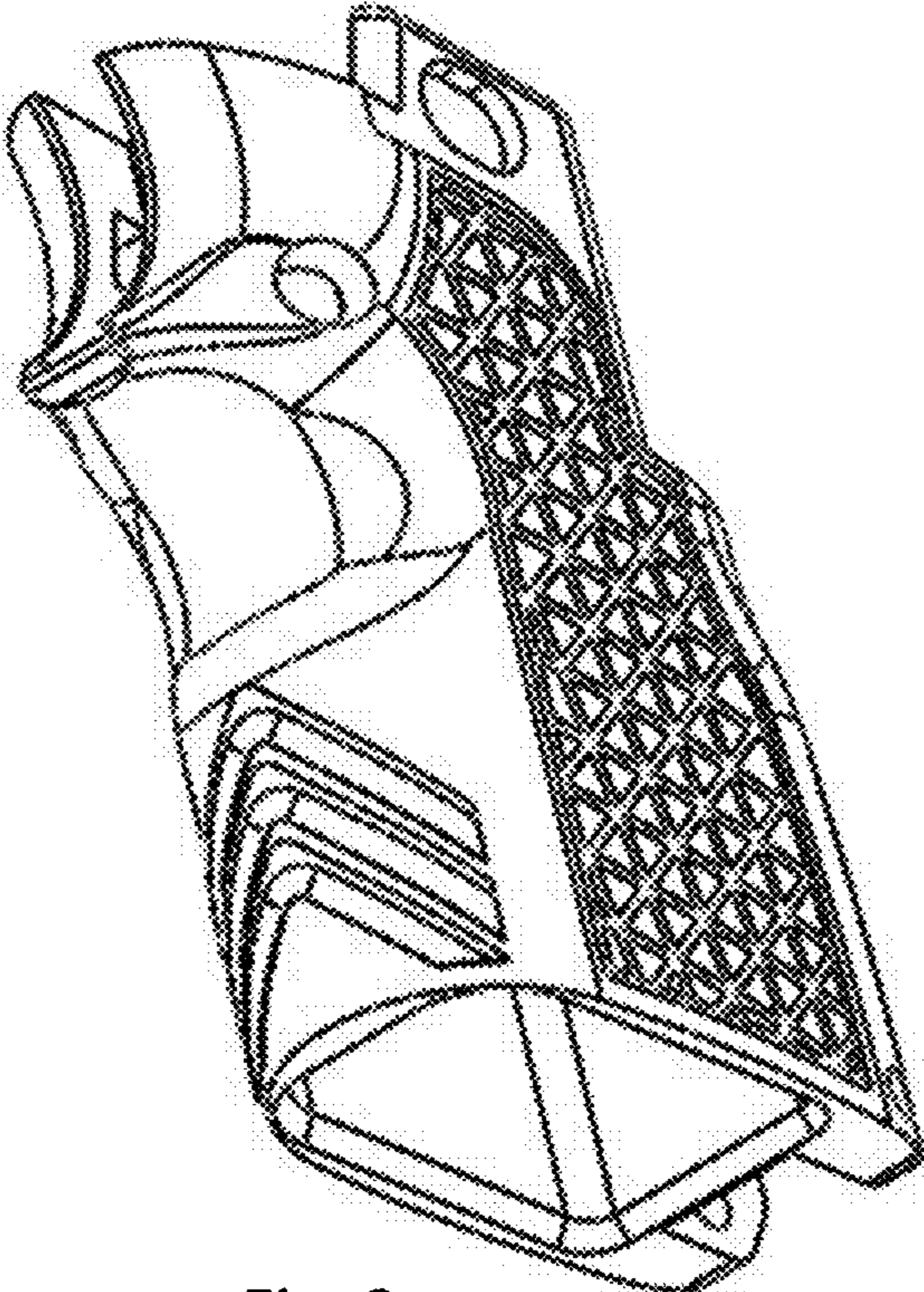


Fig. 3

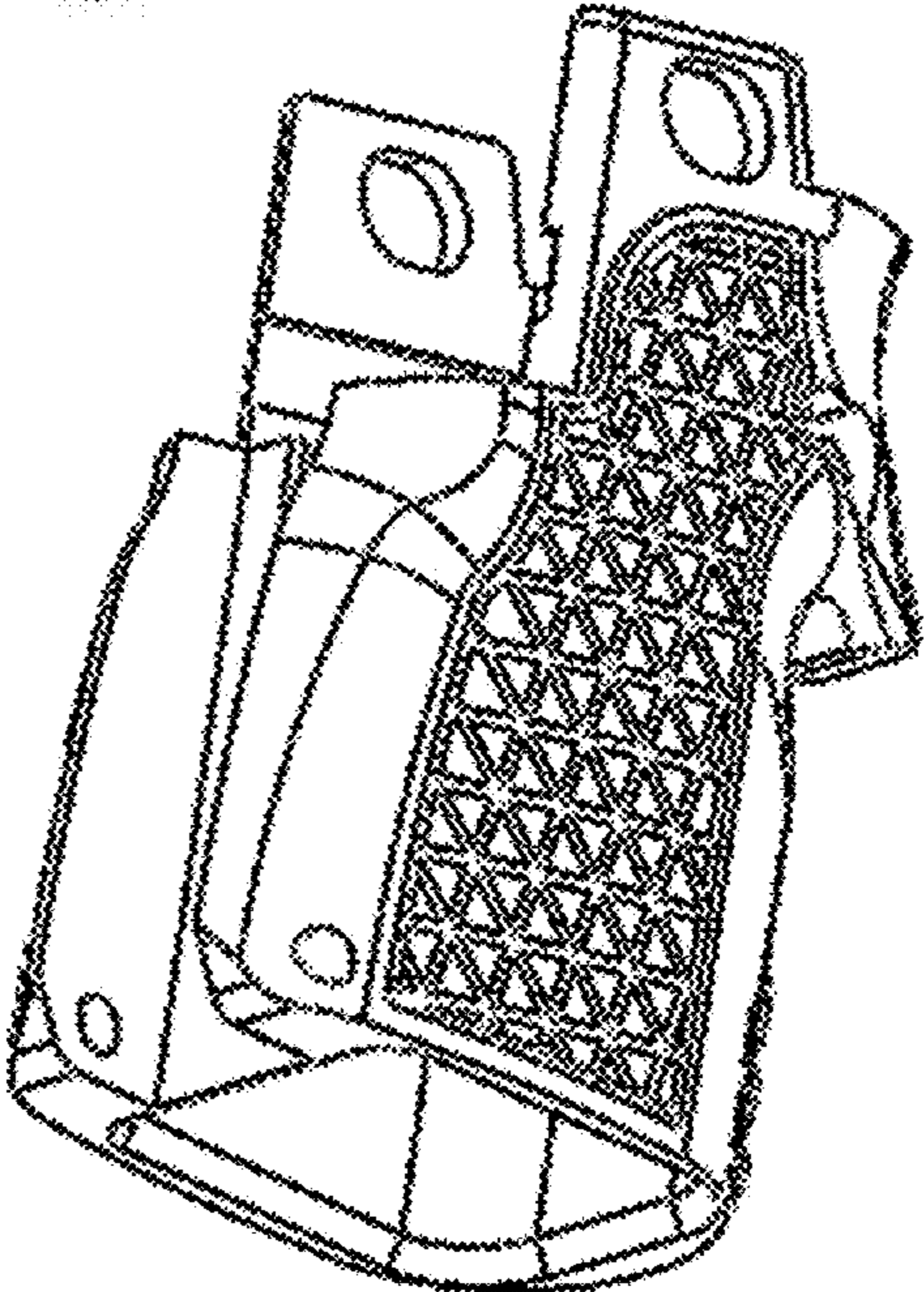


Fig. 4

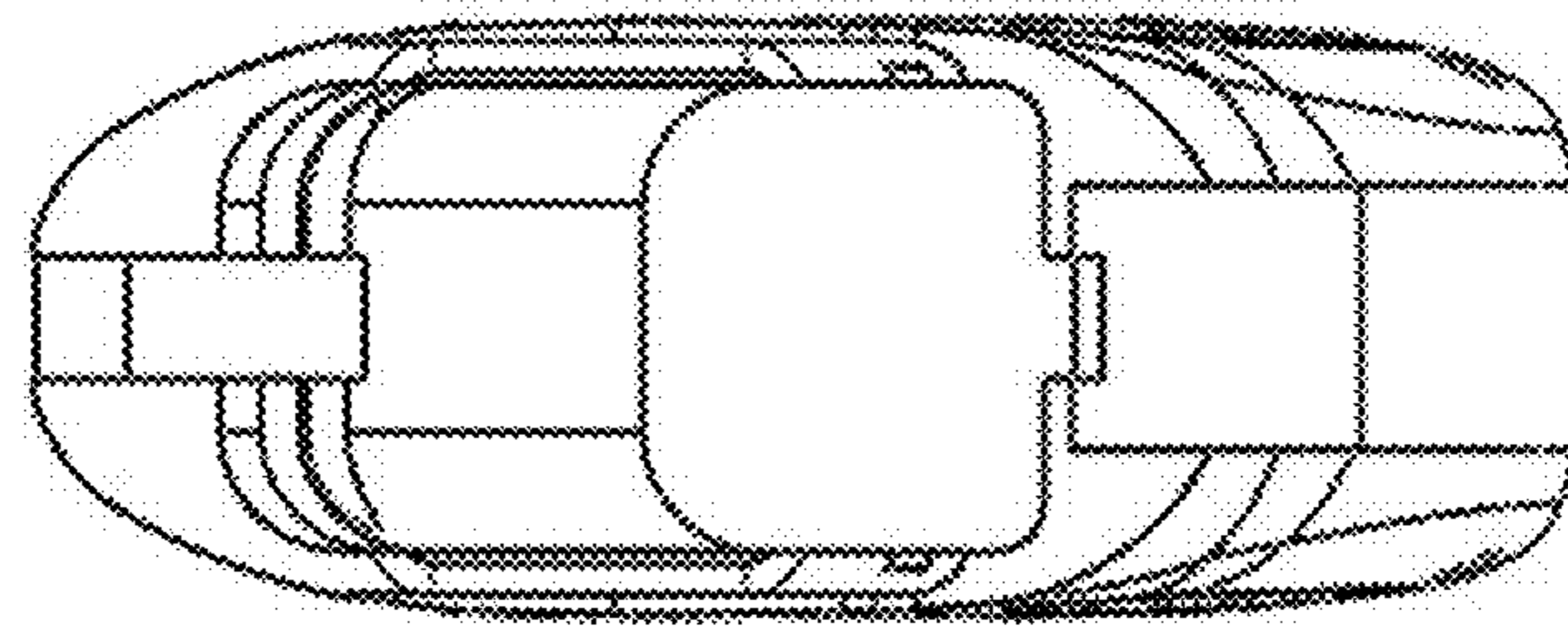


Fig. 5

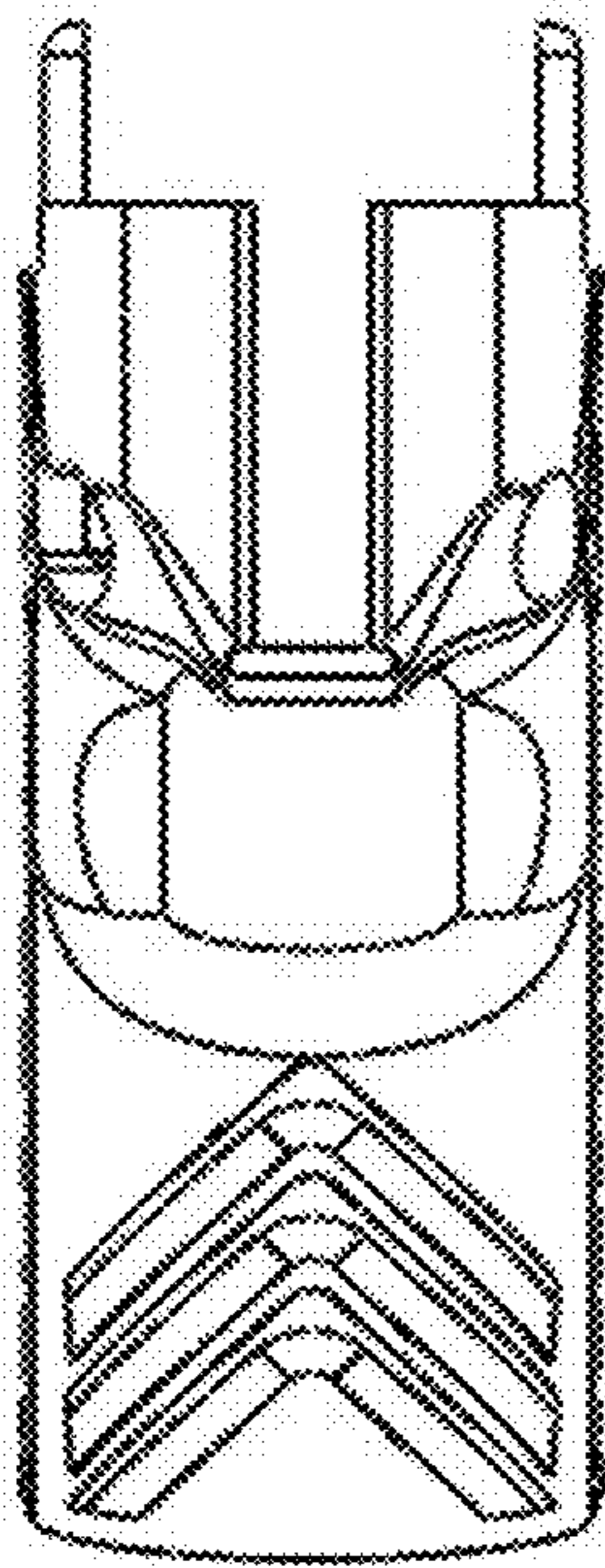


Fig. 7

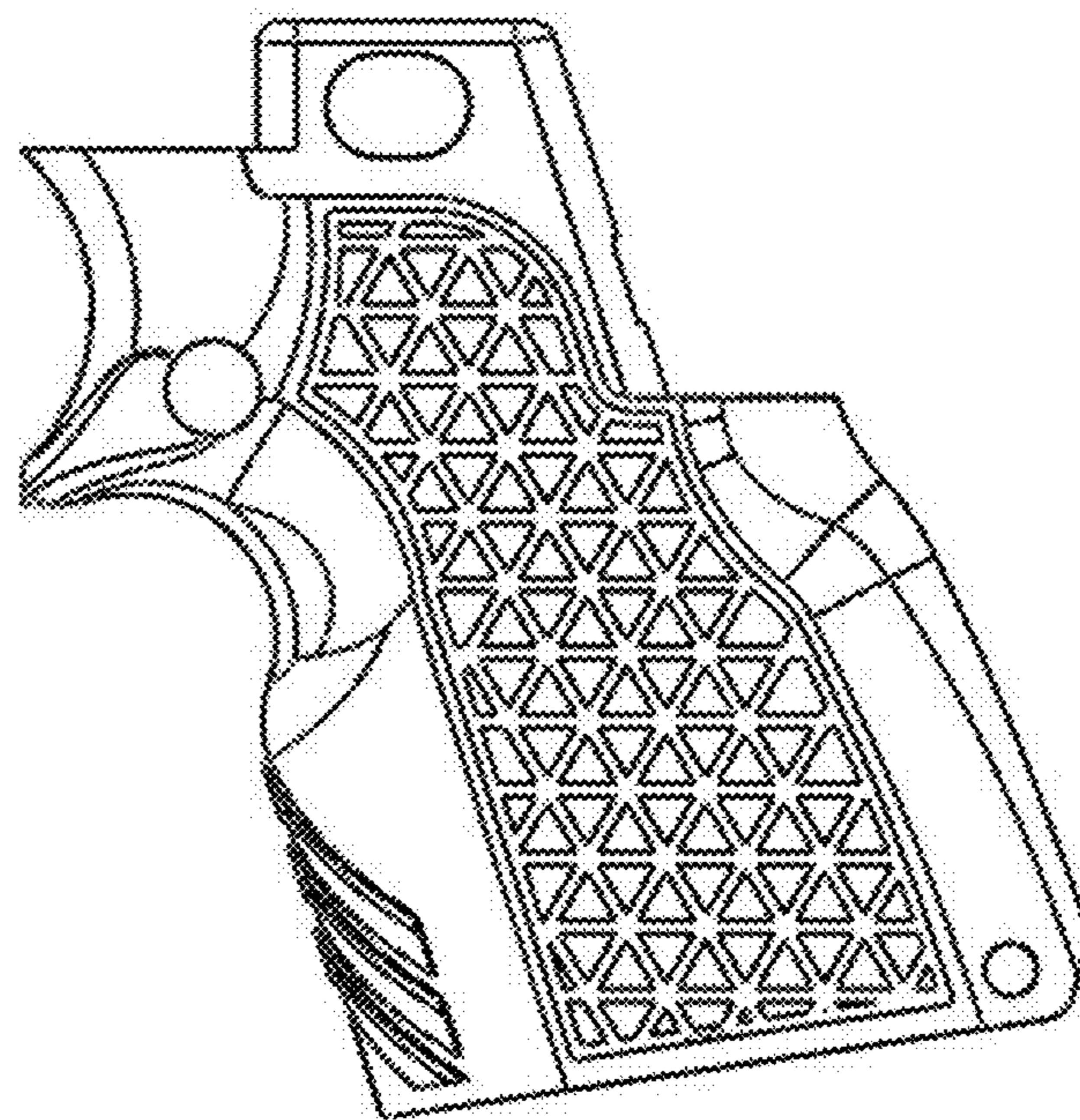


Fig. 6

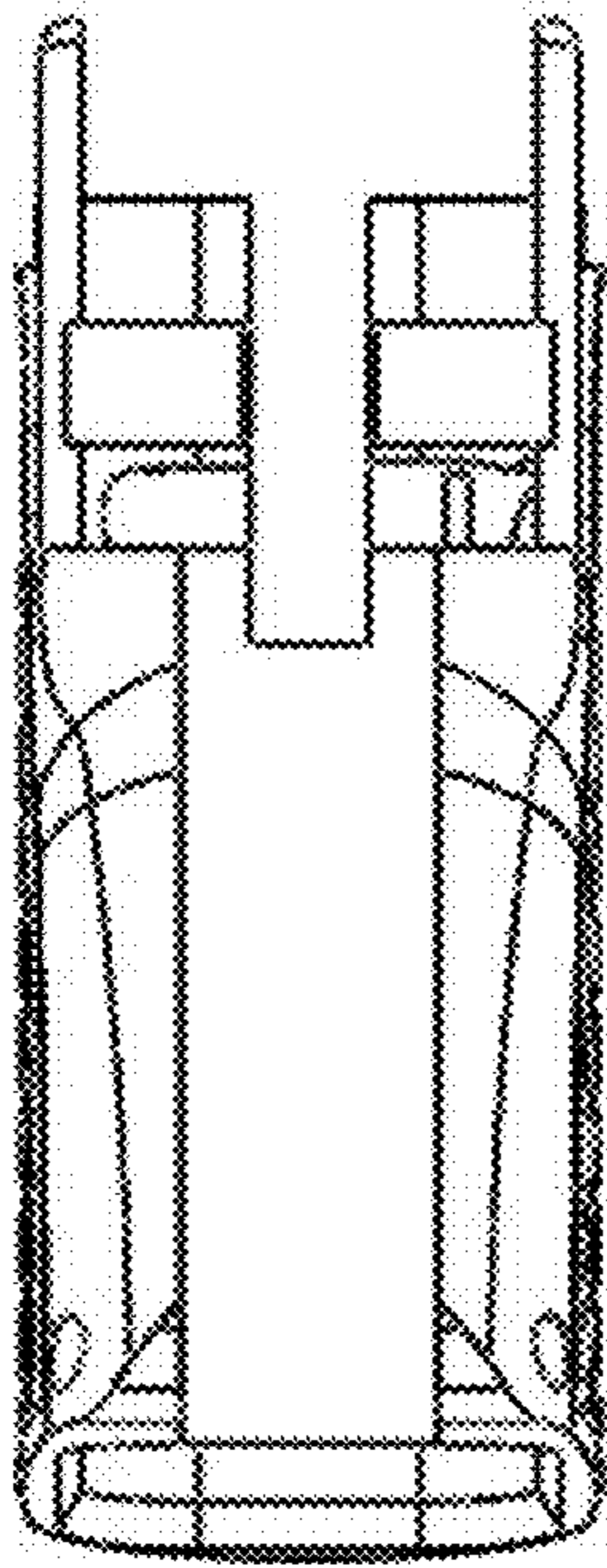


Fig. 9

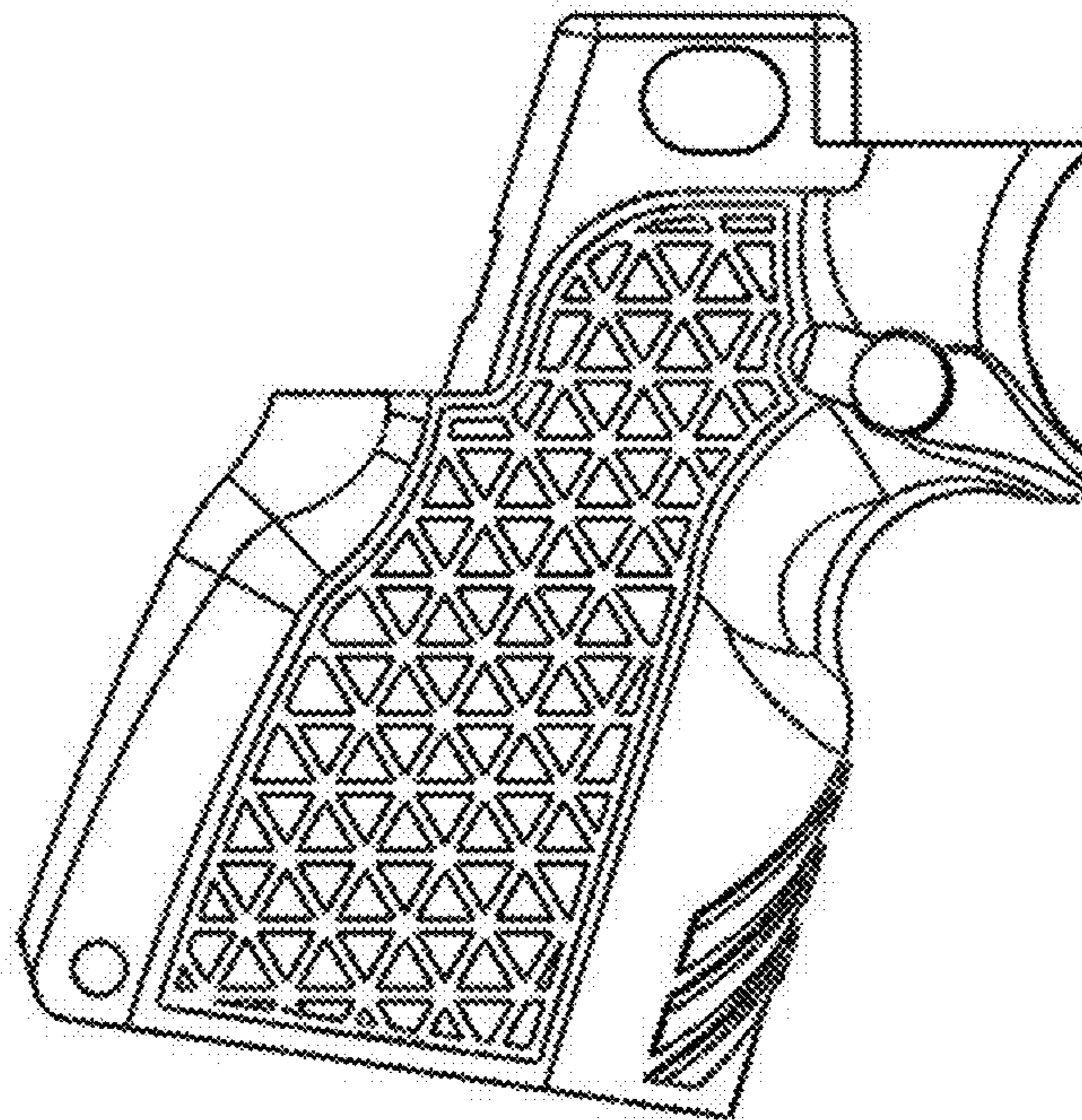


Fig. 8

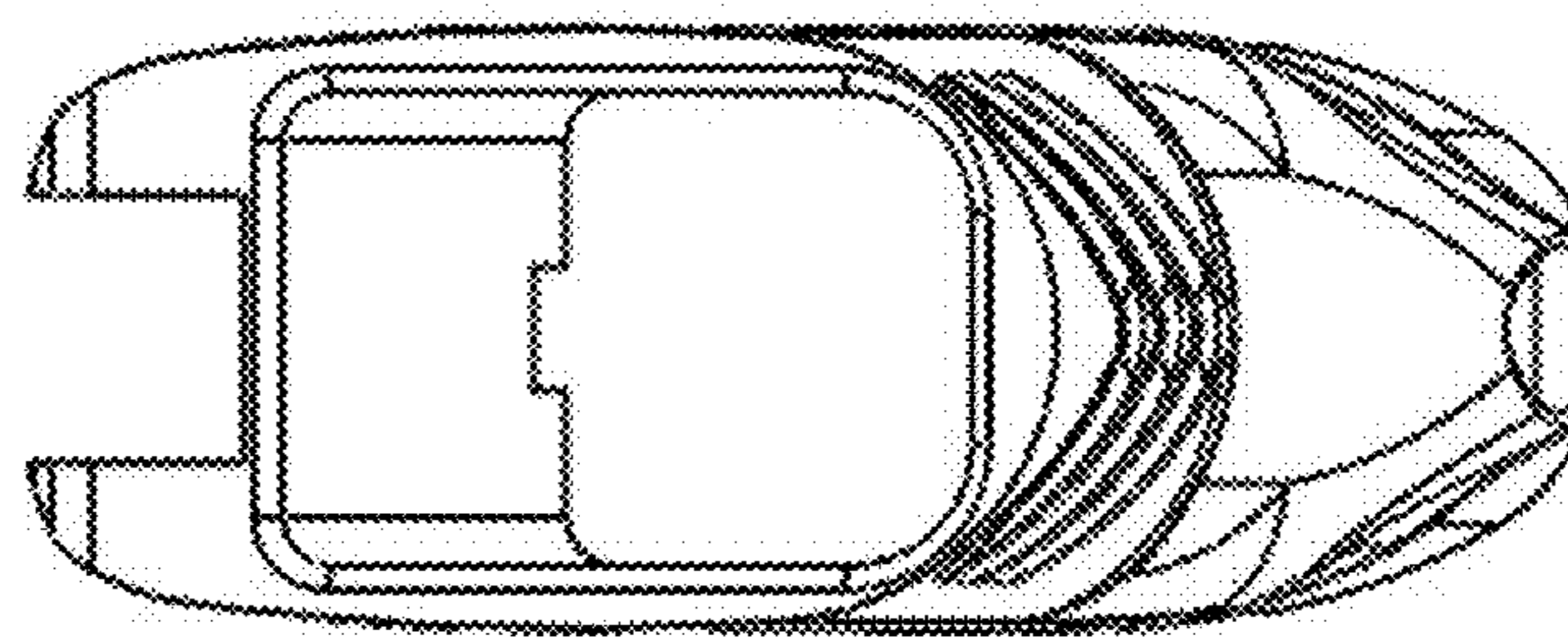


Fig. 10