



US00D726860S

(12) **United States Design Patent**
Underwood

(10) **Patent No.:** **US D726,860 S**

(45) **Date of Patent:** **** Apr. 14, 2015**

- (54) **FIREARM CHARGING HANDLE**
- (71) Applicant: **Joshua A. Underwood**, Salem, OR (US)
- (72) Inventor: **Joshua A. Underwood**, Salem, OR (US)
- (73) Assignee: **AXTS Weapons Systems**, Salem, OR (US)
- (**) Term: **14 Years**
- (21) Appl. No.: **29/470,088**
- (22) Filed: **Oct. 17, 2013**
- (51) **LOC (10) Cl.** **22-01**
- (52) **U.S. Cl.**
USPC **D22/108**
- (58) **Field of Classification Search**
CPC F41C 23/10; F41C 23/14; F41C 23/16;
F41C 23/18
USPC D22/108; 362/109–114; 42/90, 94, 114,
42/117, 124–127, 131, 146
See application file for complete search history.

(56) **References Cited**

U.S. PATENT DOCUMENTS

3,225,653	A *	12/1965	Packard	89/1.4
4,521,985	A	6/1985	Smith et al.	
4,834,437	A	5/1989	Howard, Sr.	
4,835,892	A	6/1989	Ruger et al.	
5,109,752	A	5/1992	Yu	
7,240,600	B1	7/2007	Bordson	
D614,718	S *	4/2010	Hoel	D22/108
7,707,921	B1 *	5/2010	Hoel	89/1.4
7,832,322	B1 *	11/2010	Hoel	89/1.4
7,861,635	B1	1/2011	Hoel	
7,900,546	B2	3/2011	Bordson	
8,104,393	B2 *	1/2012	Kincel	89/1.14
8,156,854	B2	4/2012	Brown	
8,261,649	B2 *	9/2012	Fitzpatrick et al.	89/1.4
8,336,436	B2	12/2012	Kincel	

8,356,537	B2 *	1/2013	Kincel	89/1.14
D694,354	S *	11/2013	Underwood	D22/108
D705,383	S *	5/2014	Montes	D22/108
D705,384	S *	5/2014	Underwood	D22/108
D712,501	S *	9/2014	Weltsch	D22/108
8,820,210	B2 *	9/2014	Melville	89/1.4
8,863,632	B1 *	10/2014	O'Malley	89/1.4
2011/0005372	A1	1/2011	Kincel	
2011/0214558	A1 *	9/2011	Kincel	89/1.4
2011/0265636	A1	11/2011	Overstreet et al.	
2012/0167424	A1	7/2012	Gomez	
2012/0167433	A1	7/2012	Robbins et al.	
2012/0180355	A1	7/2012	Martin et al.	
2012/0291612	A1	11/2012	Kincel	
2012/0318124	A1	12/2012	Brown	
2013/0174457	A1 *	7/2013	Gangl et al.	42/16
2014/0150639	A1 *	6/2014	Sugg et al.	89/193

OTHER PUBLICATIONS

United States Department of the Army, "Operator's Manual for Rifle, 5.56-MM, M16 (1005-00-856-6885); Rifle, 5.56-MM, M16A1 (1005-00-073-9421)", No. TM 9-1005-249-10 C2, Washington, D.C., May 11, 1990, 154 pages.

(Continued)

Primary Examiner — Michael A Pratt

(74) *Attorney, Agent, or Firm* — Stolowitz Ford Cowger LLP

(57) **CLAIM**

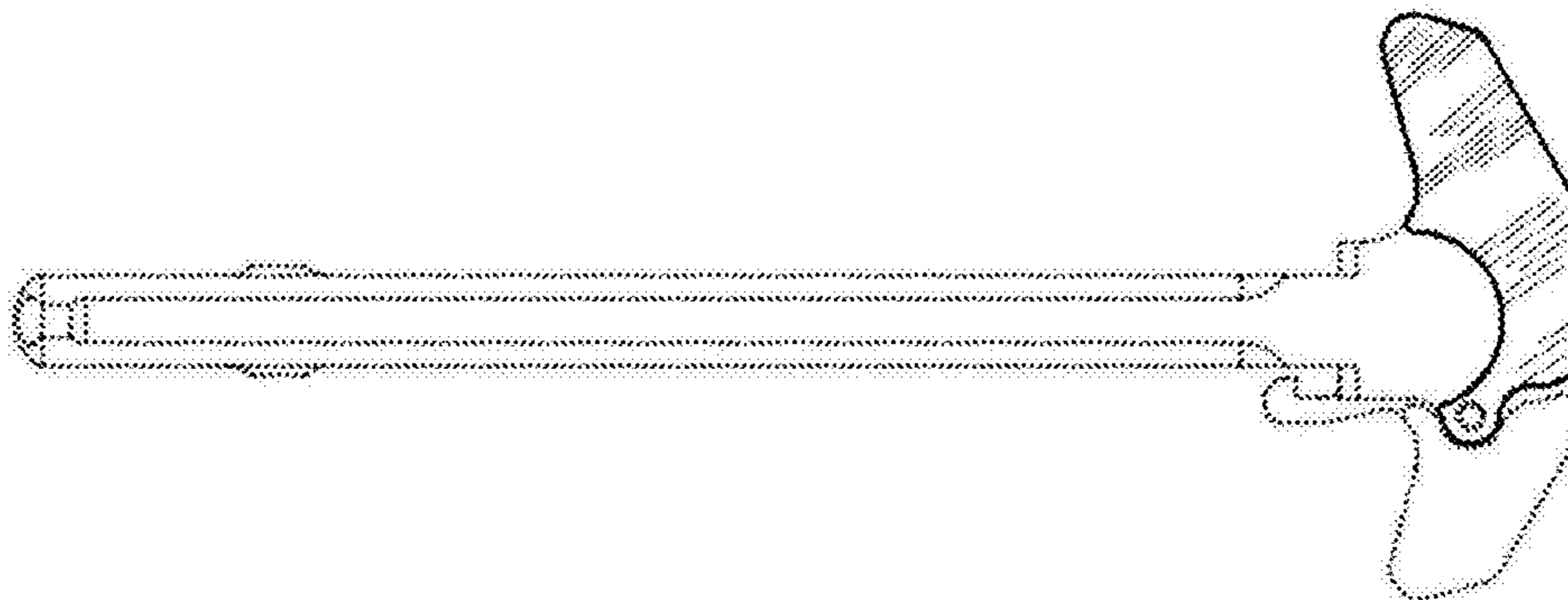
An ornamental design for the firearm charging handle, as shown and described.

DESCRIPTION

FIG. 1 is a top view of my firearm charging handle; and, FIG. 2 is an elevated front perspective view of the firearm charging handle shown in FIG. 1, comprising a top surface of the firearm charging handle.

The broken lines are included for the purpose of illustrating the environment and form no part of the claimed design.

1 Claim, 2 Drawing Sheets



(56)

References Cited

OTHER PUBLICATIONS

United States Department of the Army, "Operator's Manual for Rifle, 5.66 MM, M16A2 W/E (1005-01-128-9936) (EIC:4GM); Rifle, 5.56 MM, M16A3 (1005-01-367-5112); Rifle, 5.56 MM, M16A4 (1005-01-383-2872) (EIC:4F9); Carbine, 5.56 MM, M4 W/E (1005-01-

231-0973) (EIC:4FJ); Carbine, 5.56 MM, M4A1 (1005-01-382-0953) (EIC:4GC)", No. Army TM 9-1005-319-10, Washington, D.C., Oct. 1998, 230 pages.

United States Department of the Army, "FM 23-9", Washington, D.C., Jul. 3, 1989, 305 pages.

* cited by examiner

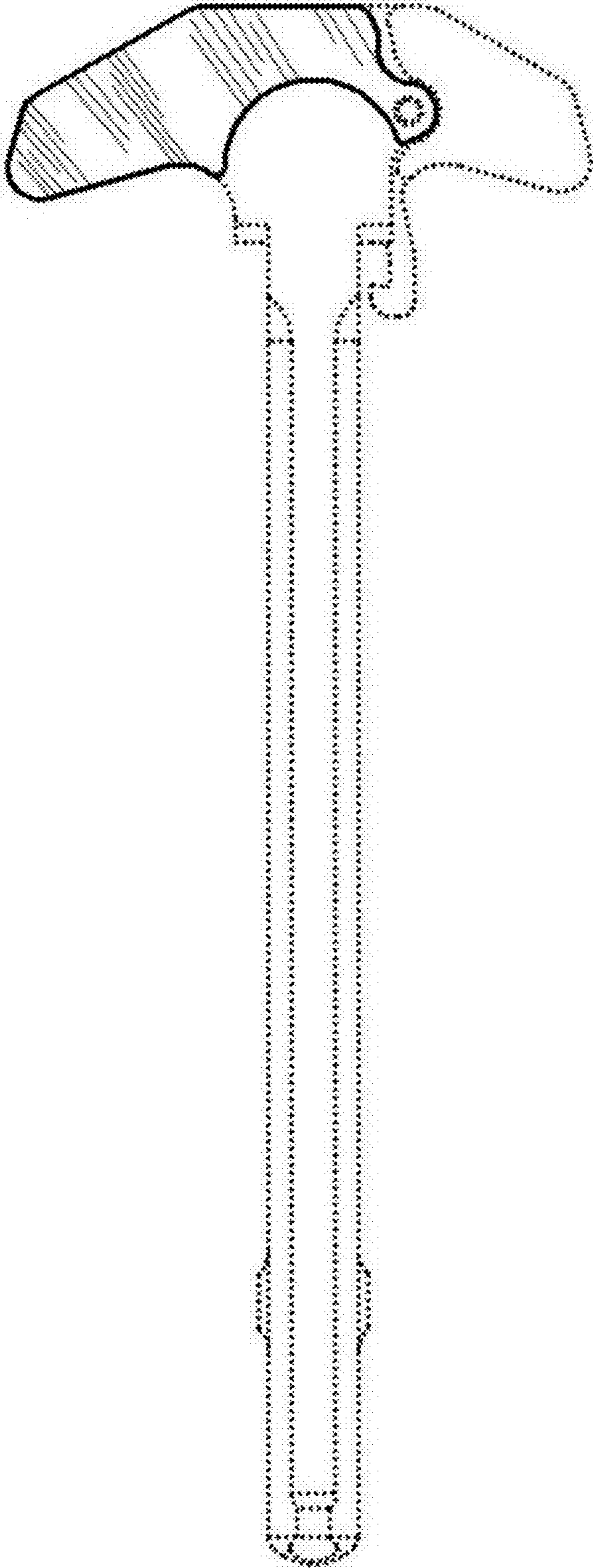


FIG. 1

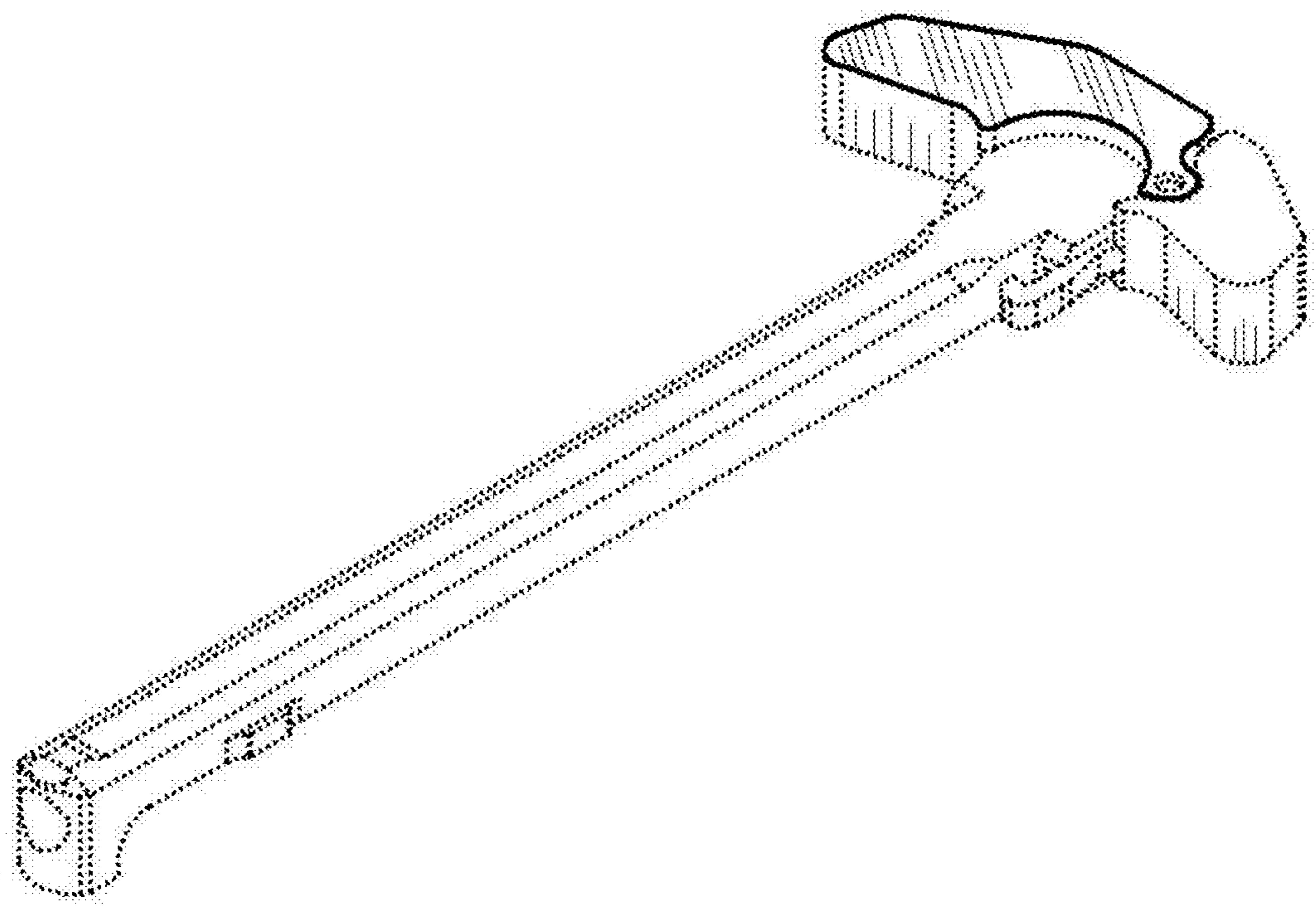


FIG. 2