



US00D726859S

(12) **United States Design Patent**
Lah

(10) **Patent No.:** **US D726,859 S**

(45) **Date of Patent:** **** Apr. 14, 2015**

(54) **TENT FRAME**

(71) Applicant: **Jeh-Kun Lah**, Seoul (KR)

(72) Inventor: **Jeh-Kun Lah**, Seoul (KR)

(**) Term: **14 Years**

(21) Appl. No.: **29/489,418**

(22) Filed: **Apr. 30, 2014**

(30) **Foreign Application Priority Data**

Mar. 4, 2014 (KR) 30-2014-0010843

(51) **LOC (10) Cl.** **21-04**

(52) **U.S. Cl.**
USPC **D21/839**

(58) **Field of Classification Search**
USPC D21/834-839; D25/13; 135/124, 125,
135/127, 128, 136, 137, 138, 156, 159
See application file for complete search history.

(56) **References Cited**

U.S. PATENT DOCUMENTS

4,128,104 A * 12/1978 Corey 135/124
4,998,552 A * 3/1991 Niksic et al. 135/136

D323,370 S * 1/1992 Bryant D21/834
5,361,794 A * 11/1994 Brady 135/154
6,145,527 A * 11/2000 Gillis 135/124
6,415,806 B1 * 7/2002 Gillis 135/124
7,004,183 B2 * 2/2006 Gillis 135/124

* cited by examiner

Primary Examiner — Cynthia M Chin

(74) *Attorney, Agent, or Firm* — Nixon Peabody LLP;
Jeffrey L. Costellia

(57) **CLAIM**

The ornamental design for a tent frame, as shown and described.

DESCRIPTION

FIG. 1 is a perspective view of new design for a tent frame as shown in the drawings;
FIG. 2 is a front elevation view thereof;
FIG. 3 is a rear elevation view thereof;
FIG. 4 is a left side view thereof;
FIG. 5 is a right side view thereof;
FIG. 6 is a top plan view thereof; and,
FIG. 7 is a bottom plan view thereof.
The features shown in broken lines form no part of the claimed design.

1 Claim, 5 Drawing Sheets

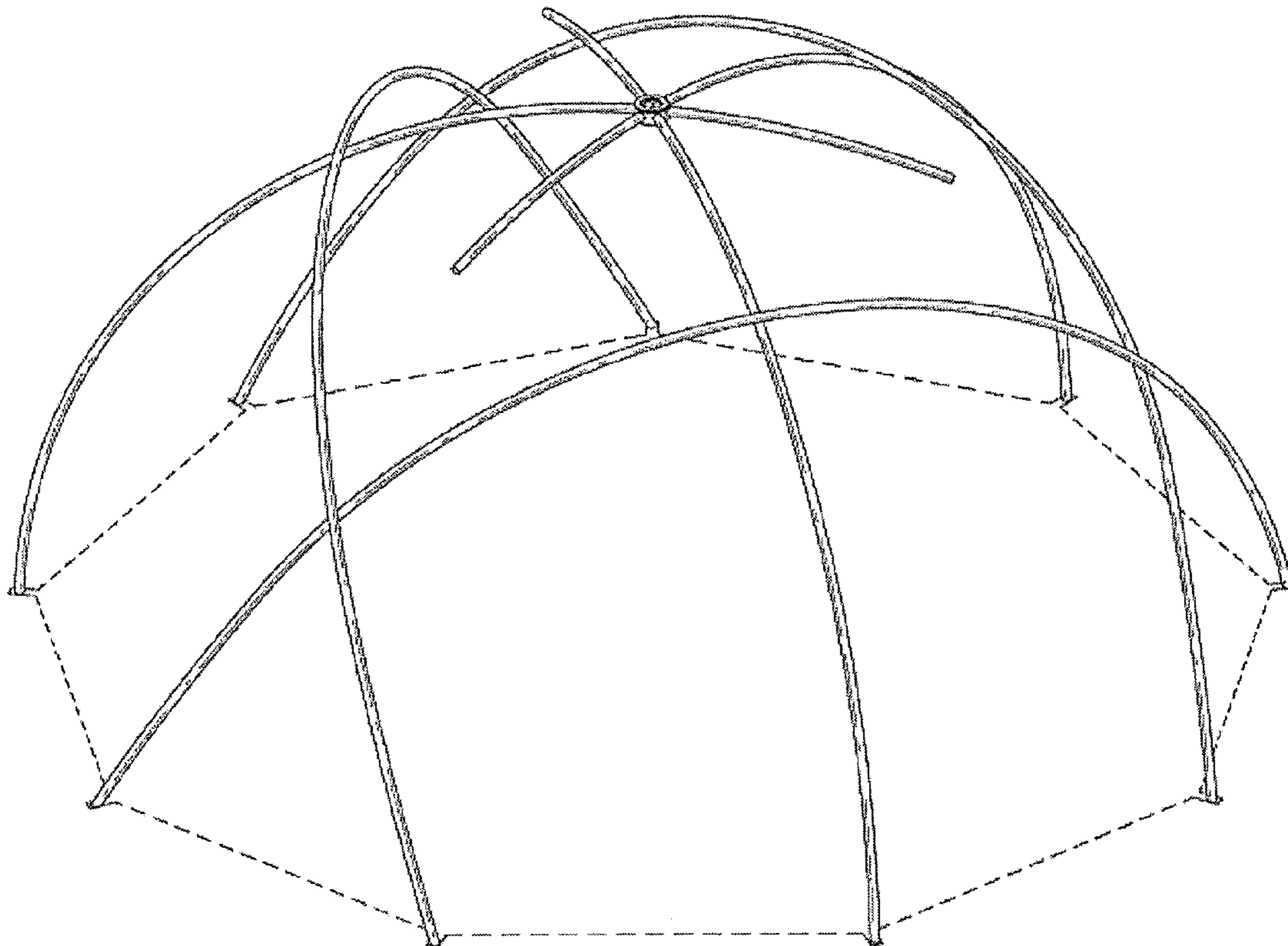


FIGURE 1

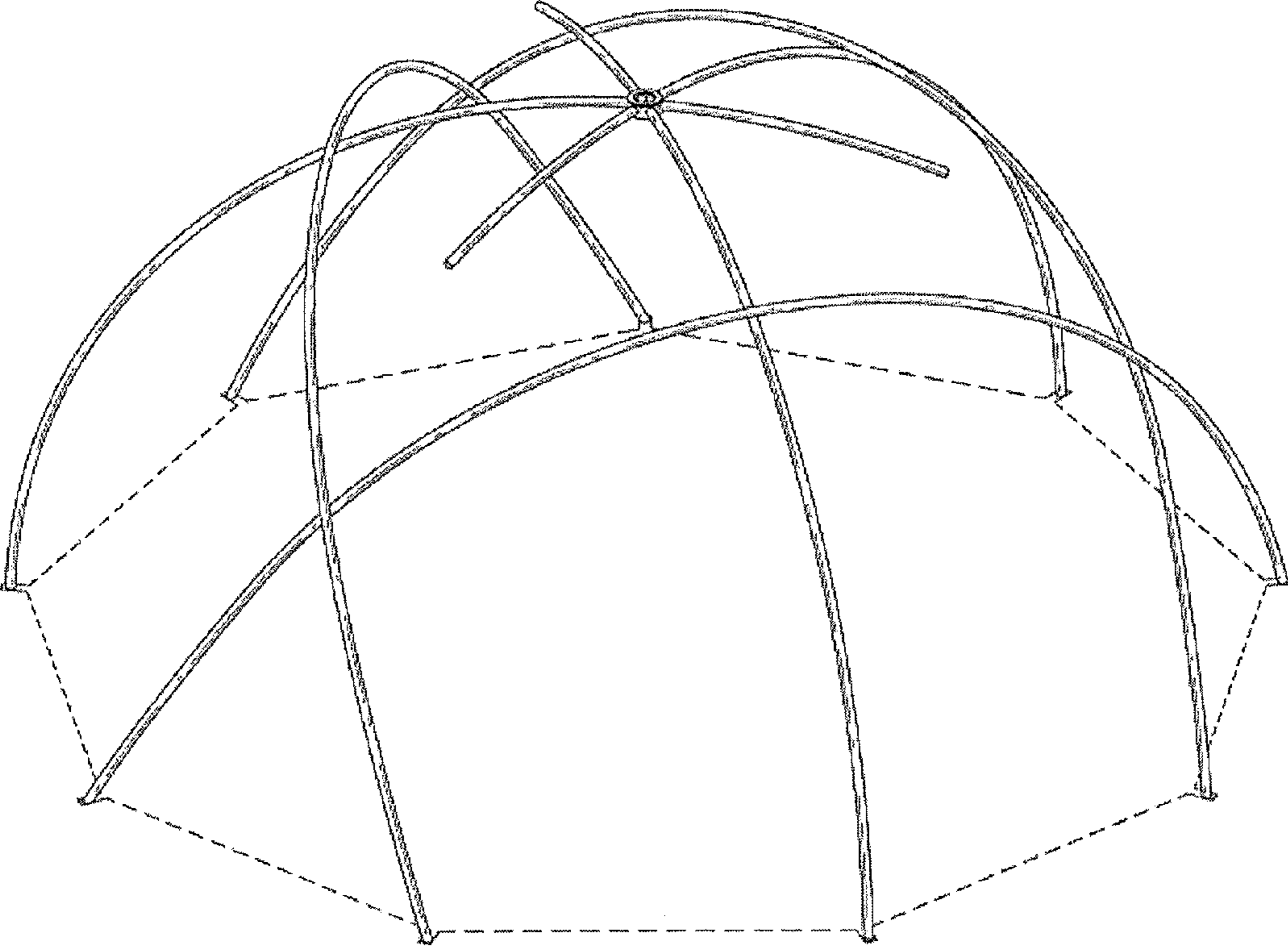


Fig. 2

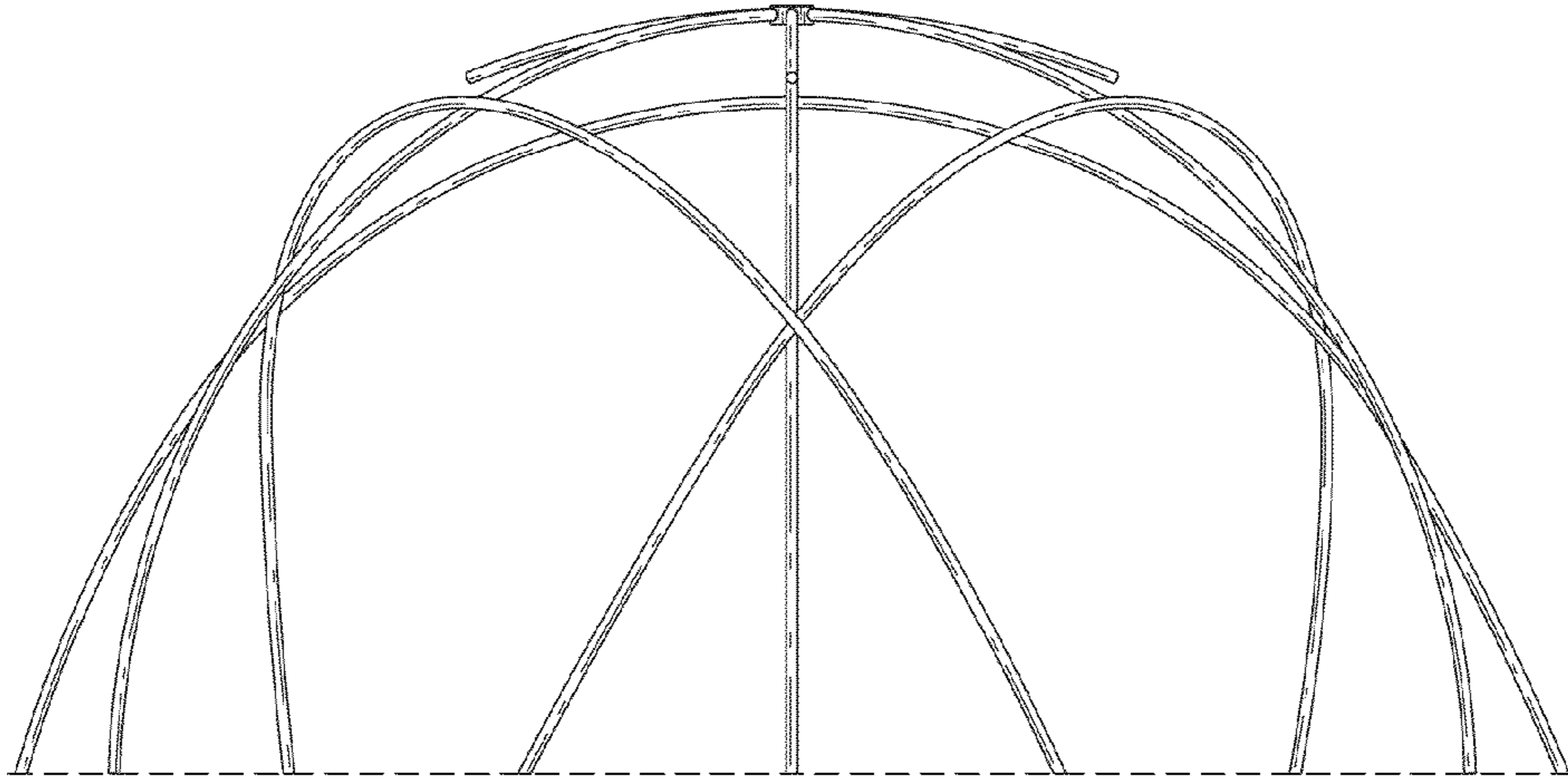


Fig. 3

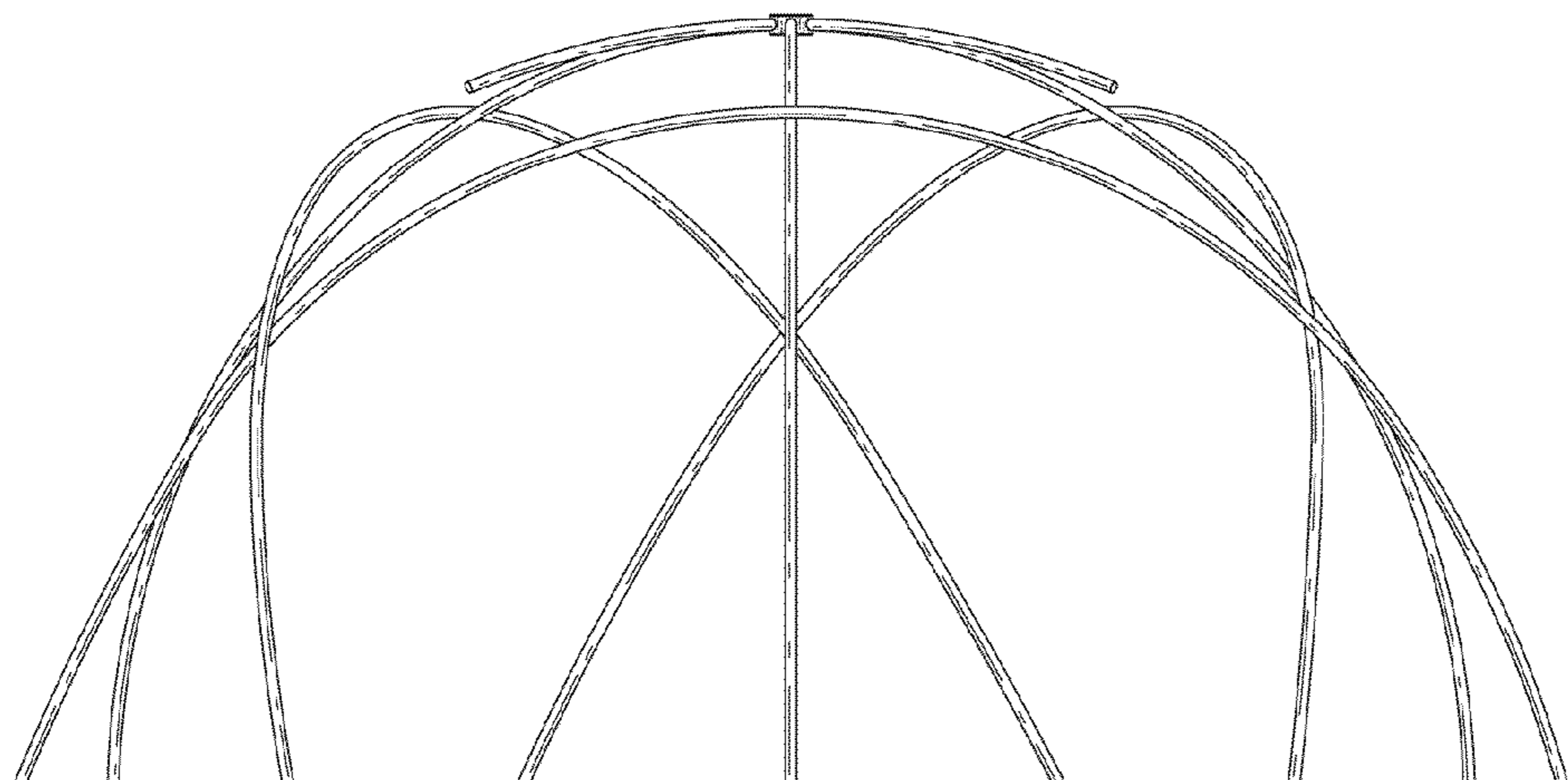


Fig. 4

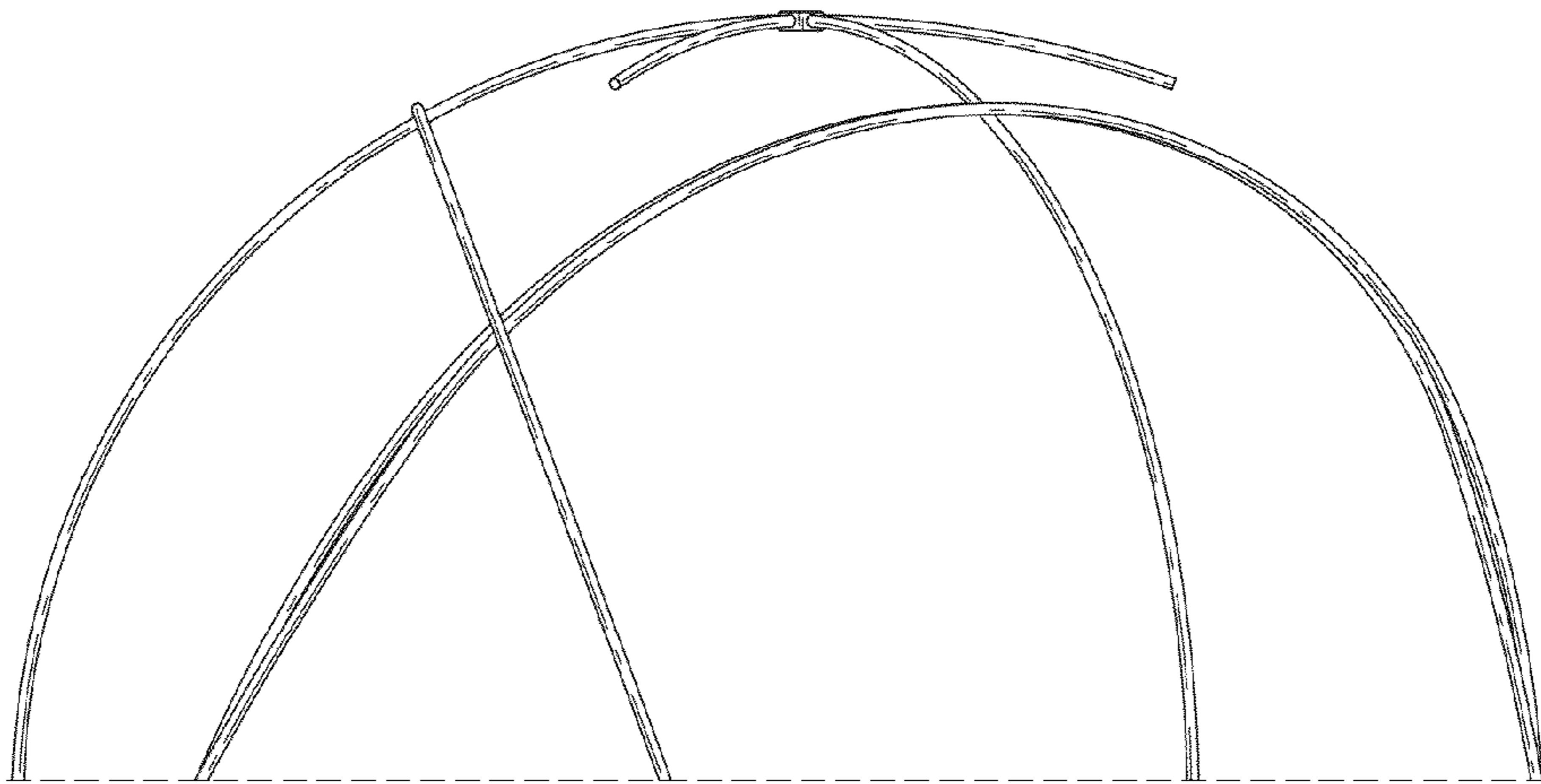


Fig. 5

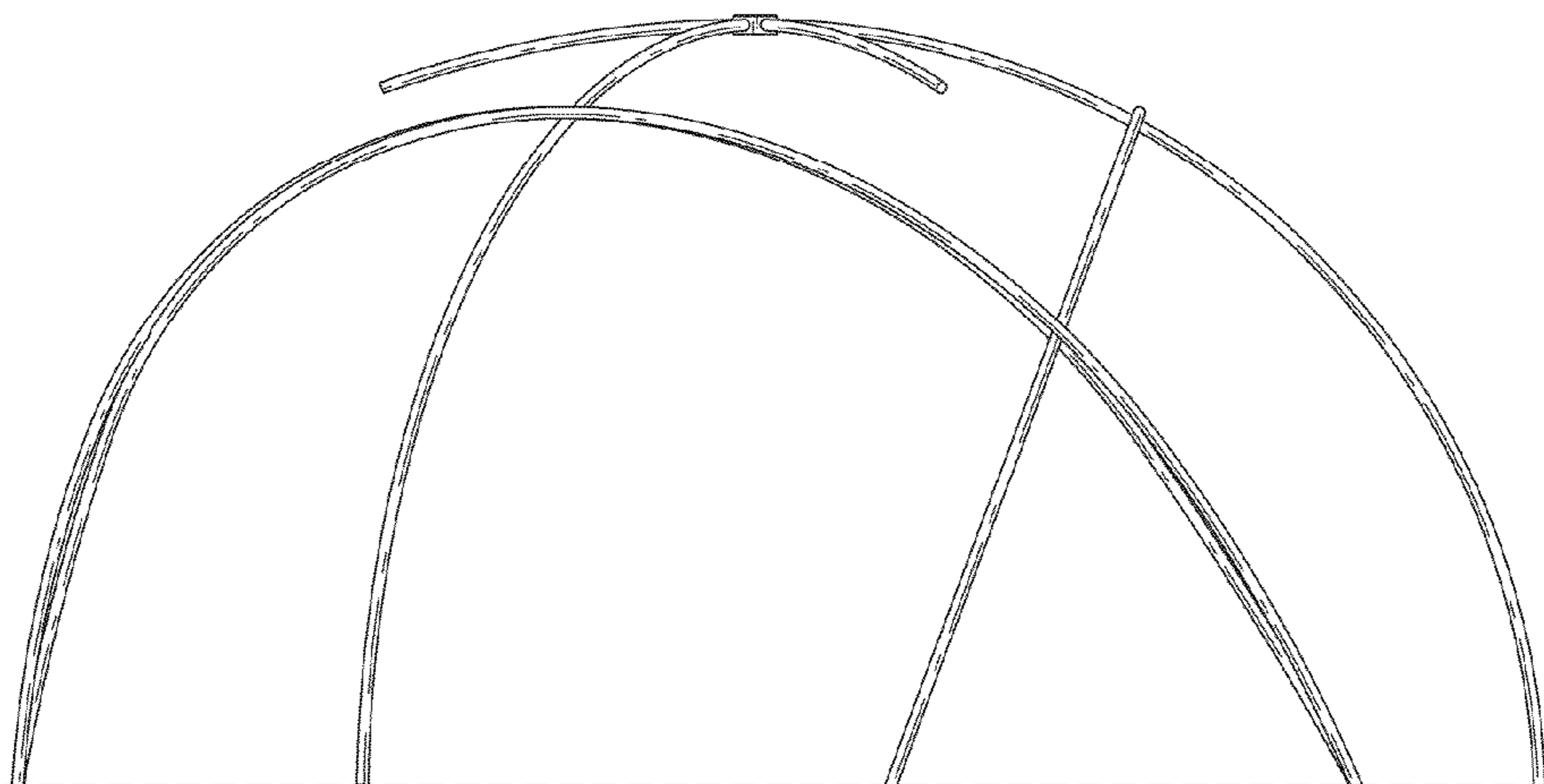


FIGURE 6

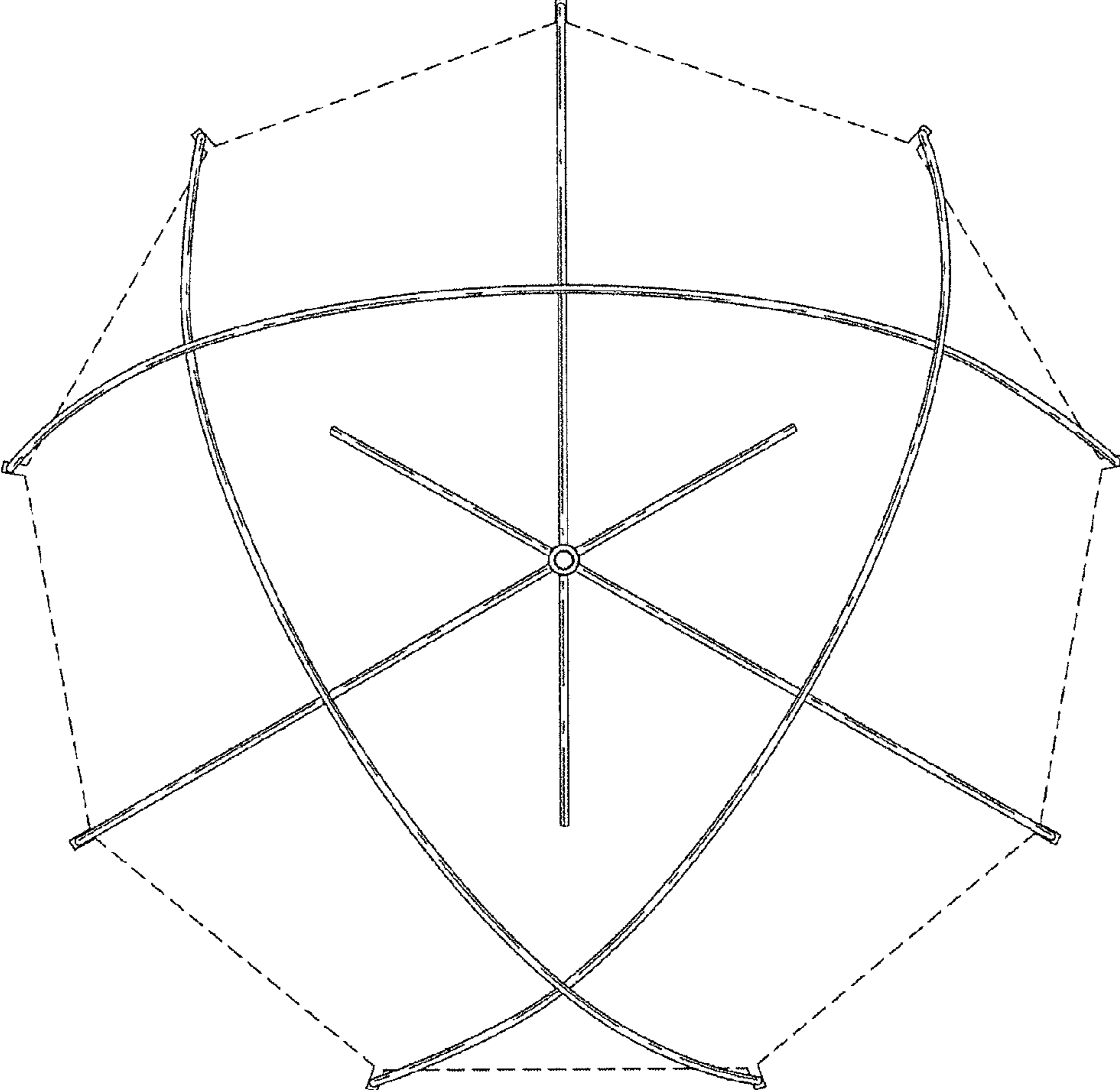


FIGURE 7

