



US00D726854S

(12) **United States Design Patent**
Song

(10) **Patent No.:** **US D726,854 S**

(45) **Date of Patent:** **** Apr. 14, 2015**

- (54) **SOLE OF A GOLF CLUB HEAD**
- (71) Applicant: **Acushnet Company**, Fairhaven, MA (US)
- (72) Inventor: **Yu-Jin Song**, San Marcos, CA (US)
- (73) Assignee: **Acushnet Company**, Fairhaven, MA (US)
- (**) Term: **14 Years**
- (21) Appl. No.: **29/482,989**
- (22) Filed: **Feb. 24, 2014**
- (51) **LOC (10) Cl.** **21-02**
- (52) **U.S. Cl.**
USPC **D21/759**
- (58) **Field of Classification Search**
USPC D21/733, 752, 759; 473/324–331, 473/343–346
See application file for complete search history.

D624,979 S *	10/2010	Morris et al.	D21/752
D628,257 S	11/2010	Albertsen et al.		
D630,278 S	1/2011	Albertsen et al.		
D630,696 S	1/2011	Albertsen et al.		
D631,111 S *	1/2011	Bennett et al.	D21/752
D631,119 S	1/2011	Albertsen et al.		
D647,584 S *	10/2011	Foster	D21/752
D655,363 S	3/2012	Vrska		
D656,210 S *	3/2012	Foster	D21/752
D667,907 S *	9/2012	Engel et al.	D21/752
D672,000 S	12/2012	Yi et al.		
D675,272 S	1/2013	Greensmith et al.		
D675,273 S	1/2013	Atwell et al.		
D684,230 S *	6/2013	Roberts et al.	D21/752
D686,679 S	7/2013	Greensmith et al.		
D692,077 S	10/2013	Greensmith et al.		
D697,152 S *	1/2014	Harbert et al.	D21/752

* cited by examiner

Primary Examiner — Mitchell Siegel
(74) *Attorney, Agent, or Firm* — Randy K. Chang

(57) **CLAIM**
The ornamental design for a sole of a golf club head, as shown and described.

(56) **References Cited**

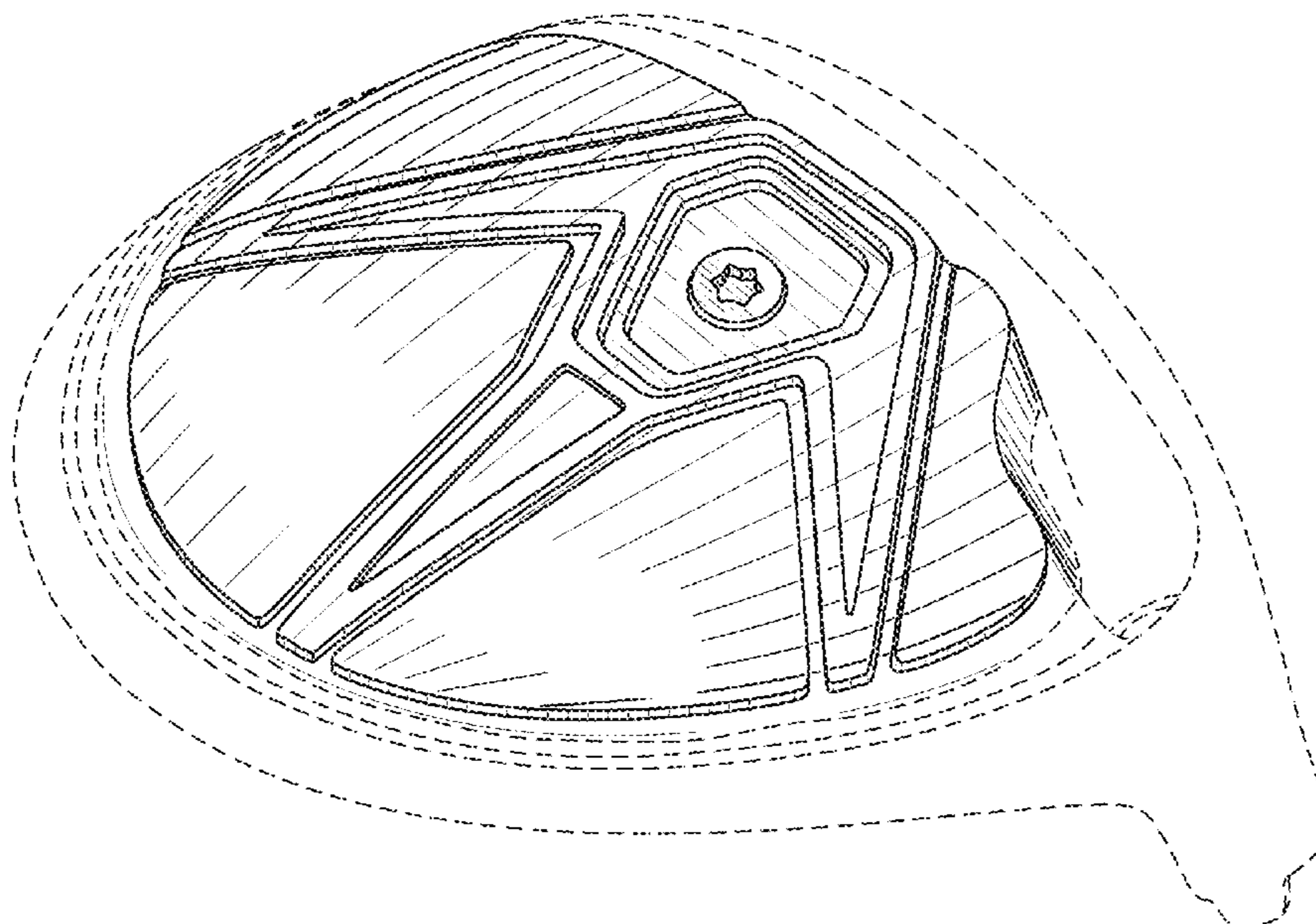
U.S. PATENT DOCUMENTS

D366,079 S *	1/1996	Kenmi	D21/752
D410,057 S *	5/1999	Ortiz	D21/752
D606,144 S *	12/2009	Kim et al.	D21/752
D606,145 S *	12/2009	Kim et al.	D21/752
D611,555 S *	3/2010	Oldknow	D21/759
D612,004 S *	3/2010	Oldknow	D21/759
D612,440 S	3/2010	Oldknow		
D612,441 S	3/2010	Oldknow		
D614,713 S	4/2010	Oldknow		
D616,952 S	6/2010	Oldknow		
D619,182 S *	7/2010	Foster et al.	D21/752

DESCRIPTION

FIG. 1 is a sole, heel side perspective view of a new design of a sole of a golf club head;
FIG. 2 is a back view thereof;
FIG. 3 is a frontal view thereof;
FIG. 4 is a bottom view thereof;
FIG. 5 is a heel side view thereof; and,
FIG. 6 is a toe side view thereof.
The portion of the club head shown in phantom does not form any portion of the present invention.

1 Claim, 3 Drawing Sheets



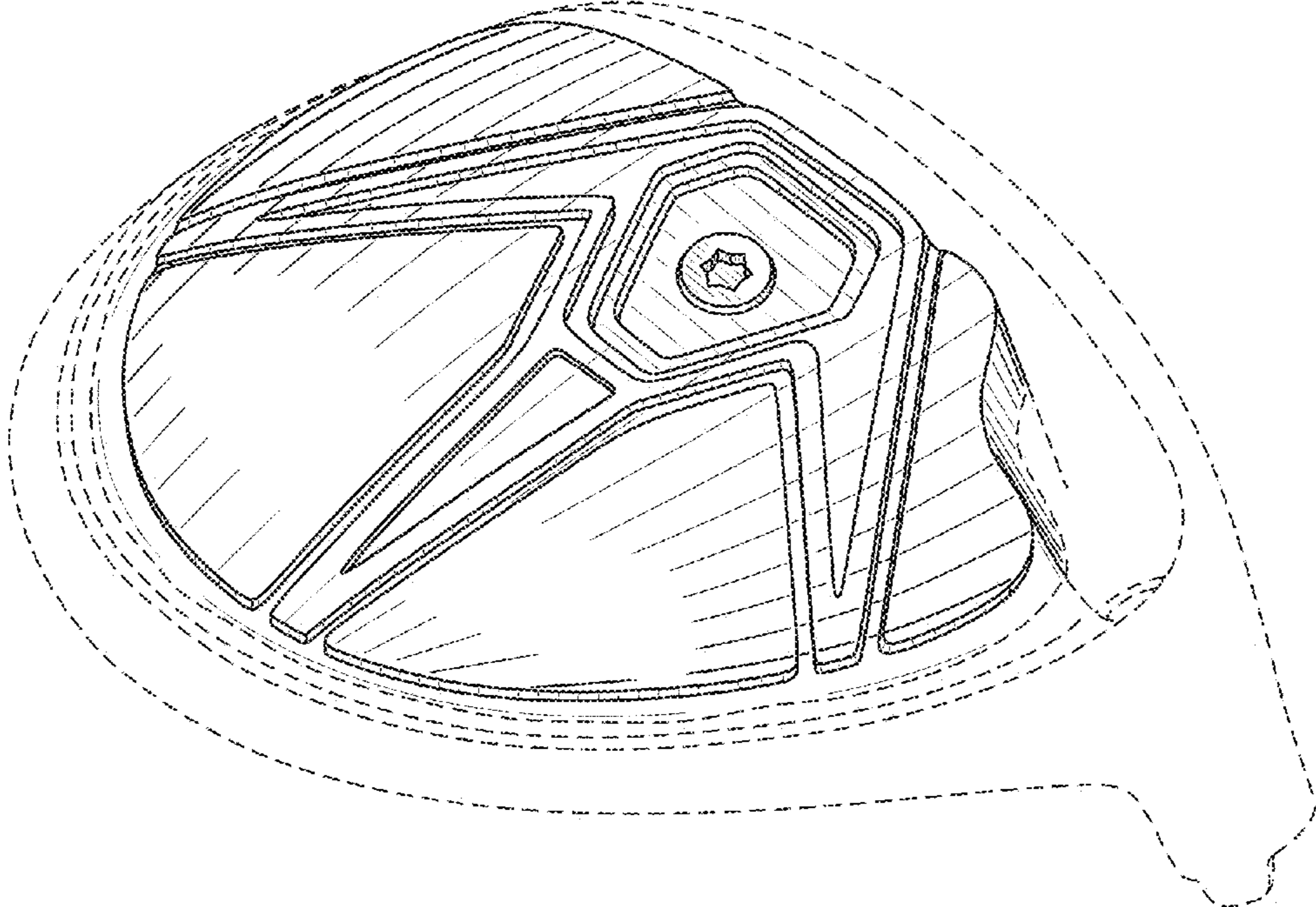


FIG. 1

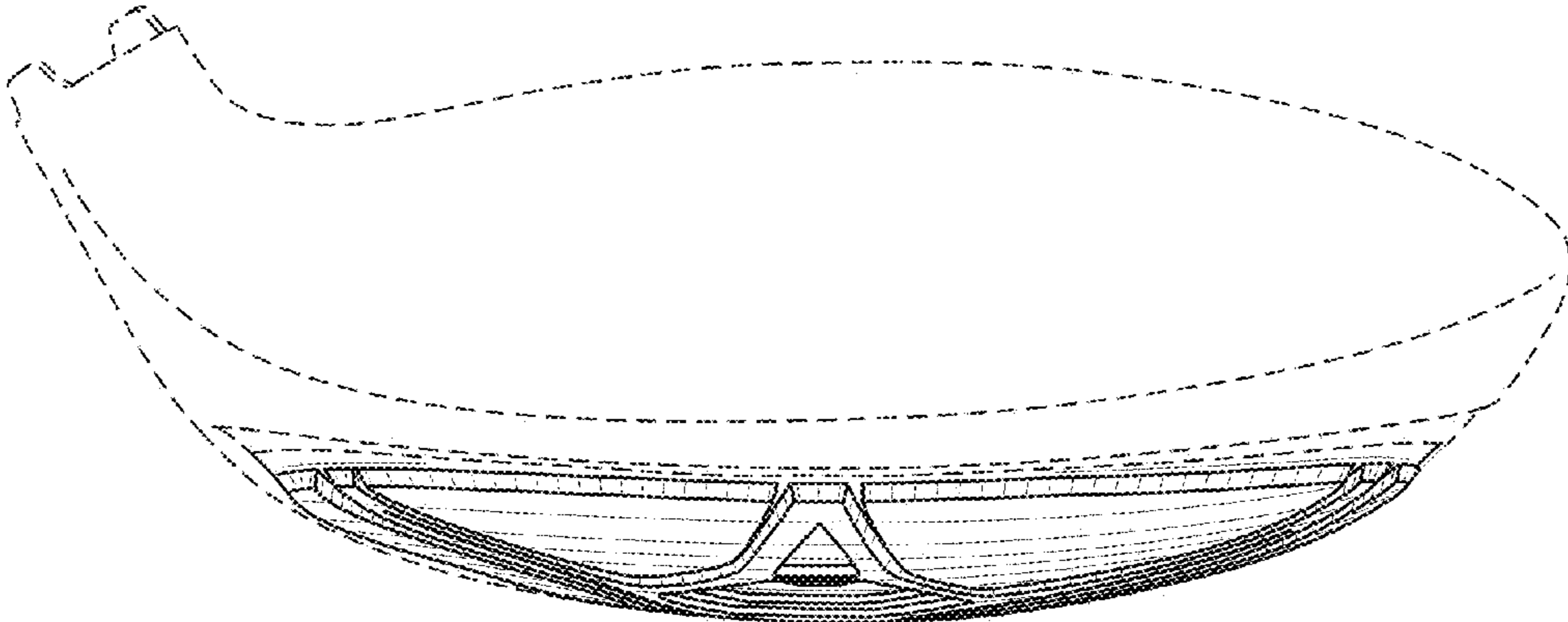


FIG. 2

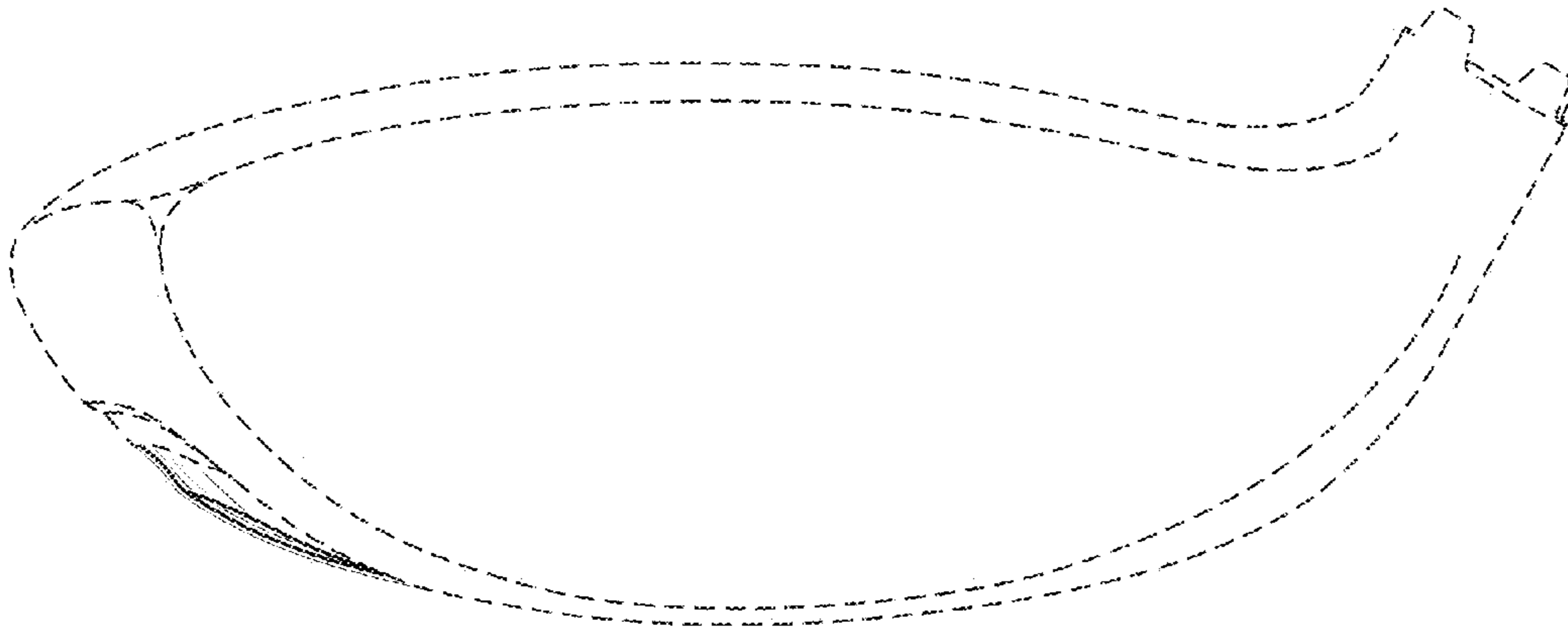


FIG. 3

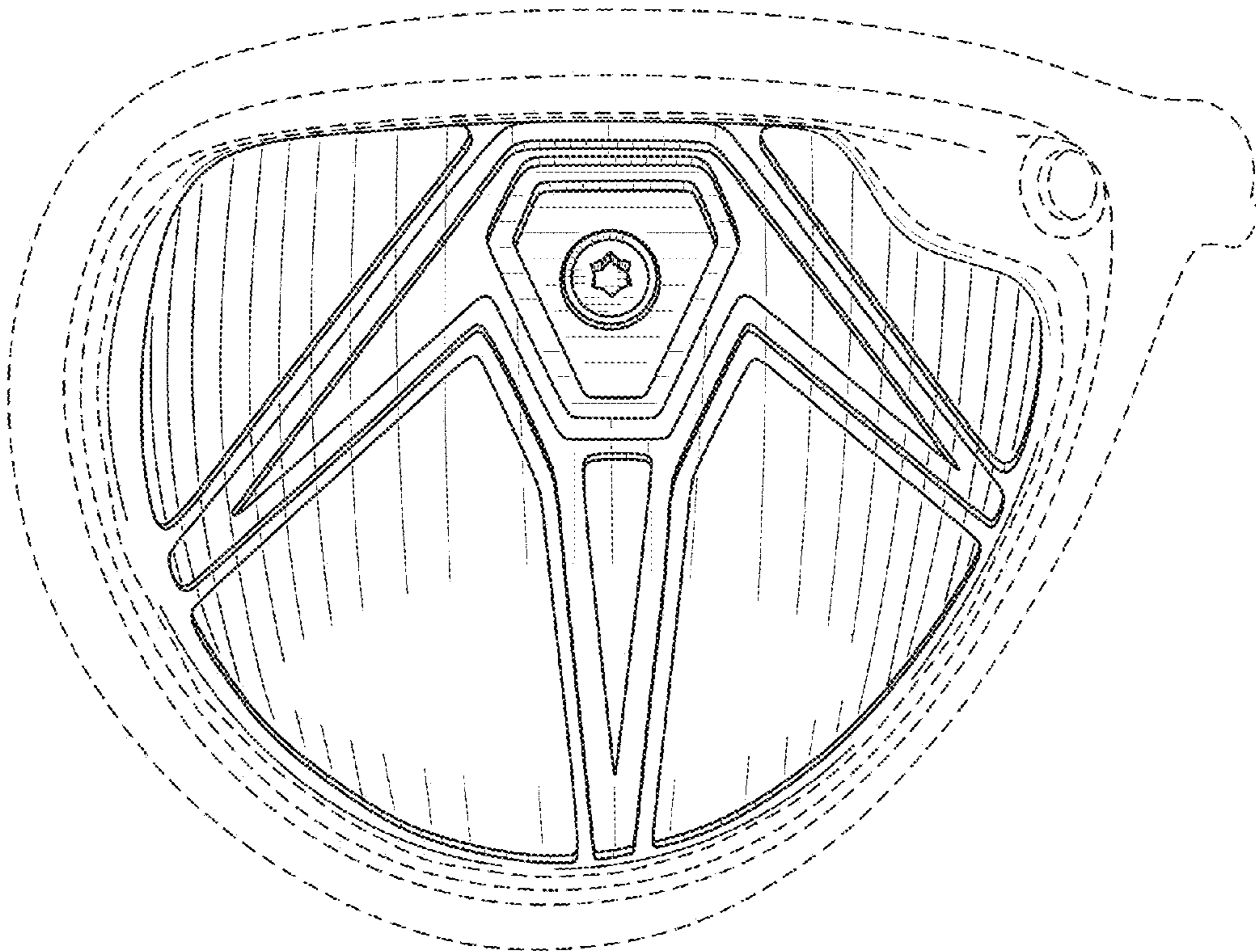


FIG. 4

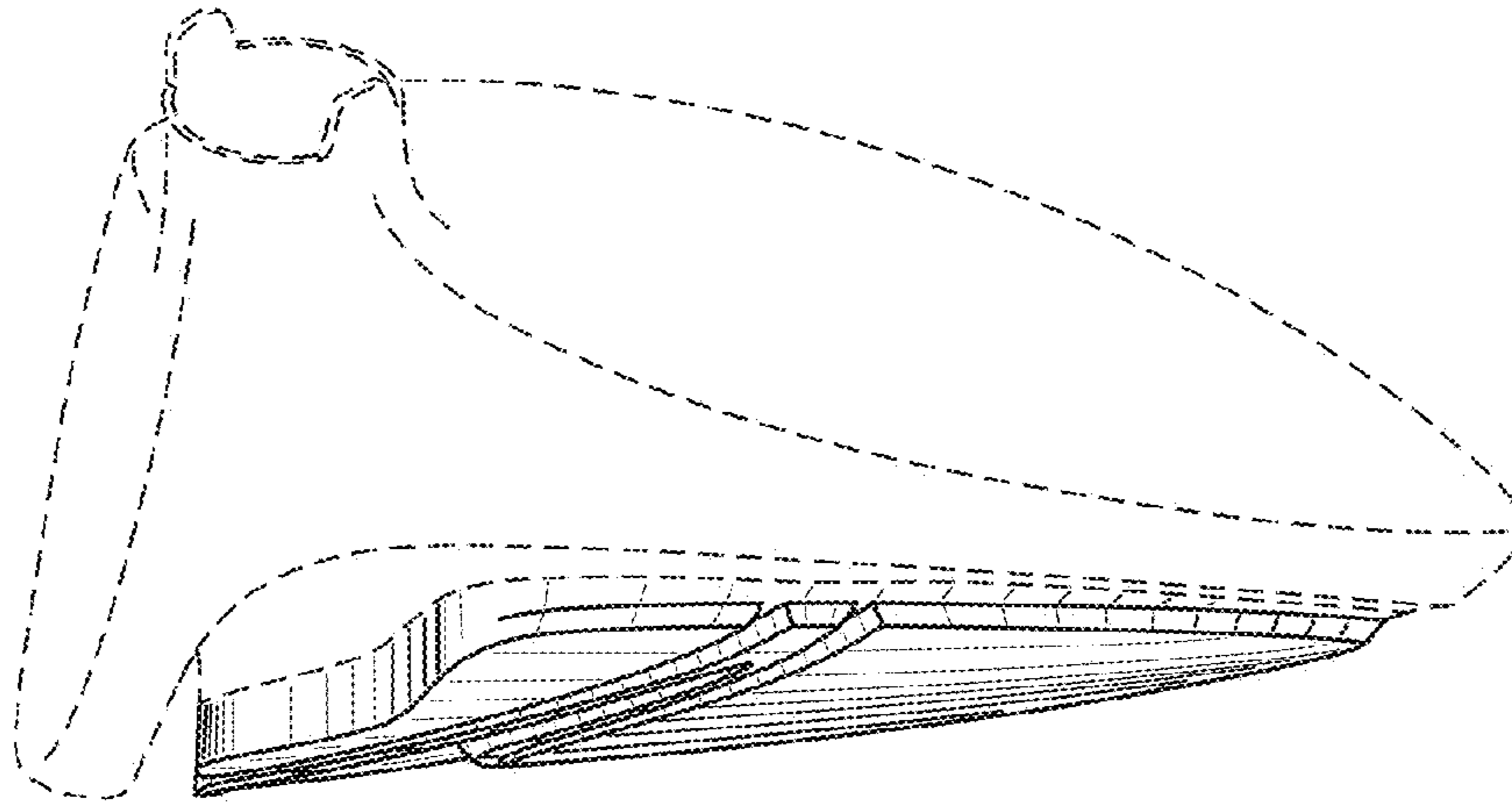


FIG. 5

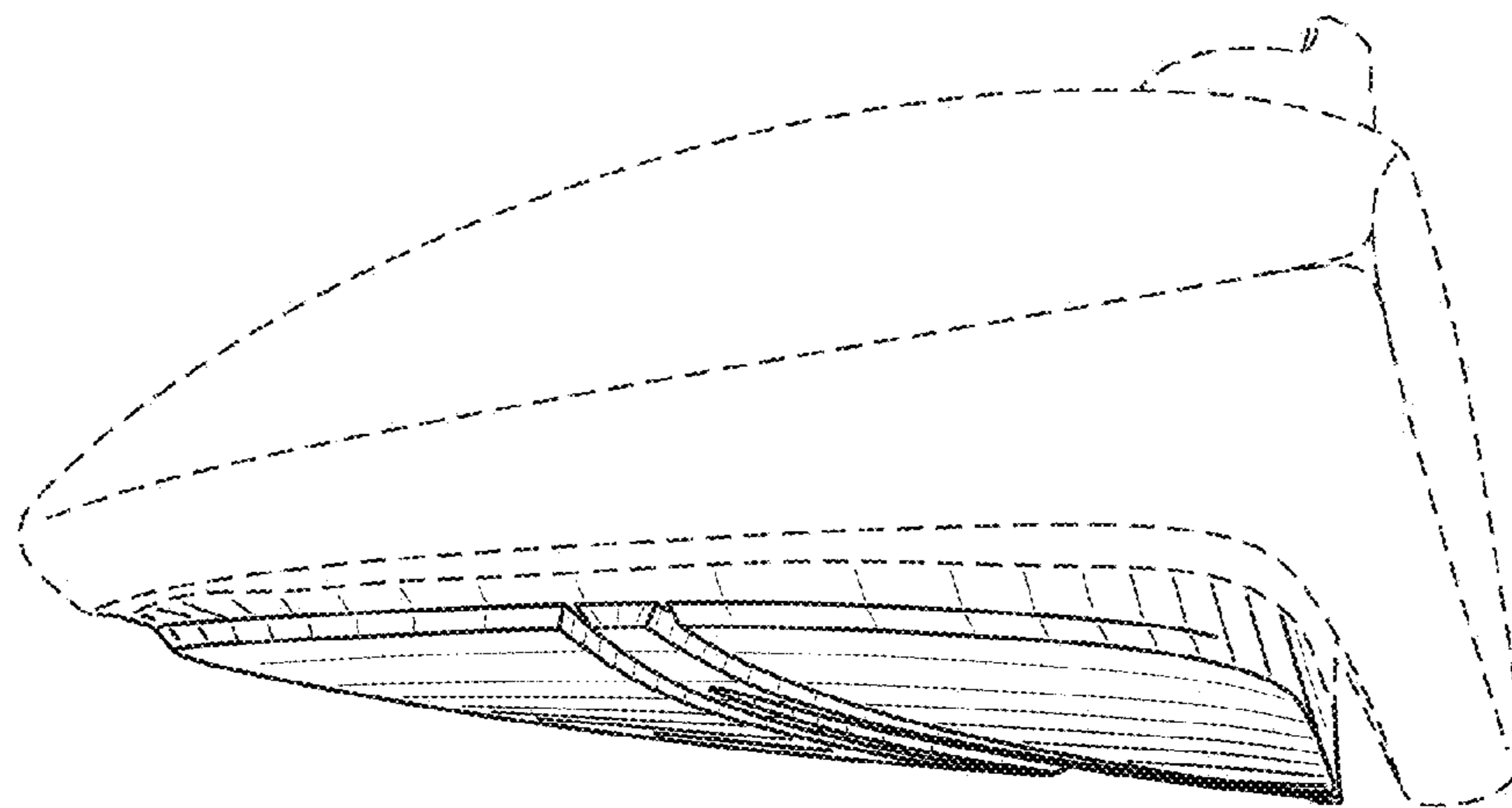


FIG. 6