



US00D726848S

(12) **United States Design Patent**
Song

(10) **Patent No.:** **US D726,848 S**
(45) **Date of Patent:** **** Apr. 14, 2015**

- (54) **GOLF CLUB HEAD**
- (71) Applicant: **Acushnet Company**, Fairhaven, MA (US)
- (72) Inventor: **Yu-Jin Song**, San Marcos, CA (US)
- (73) Assignee: **Acushnet Company**, Fairhaven, MA (US)
- (**) Term: **14 Years**
- (21) Appl. No.: **29/482,987**
- (22) Filed: **Feb. 24, 2014**
- (51) **LOC (10) Cl.** **21-02**
- (52) **U.S. Cl.**
USPC **D21/752**
- (58) **Field of Classification Search**
USPC D21/733, 752, 759; 473/324–331,
473/343–346
See application file for complete search history.

- D628,257 S 11/2010 Albertsen et al.
- D630,278 S 1/2011 Albertsen et al.
- D630,696 S 1/2011 Albertsen et al.
- D631,111 S * 1/2011 Bennett et al. D21/752
- D631,119 S 1/2011 Albertsen et al.
- D647,584 S * 10/2011 Foster D21/752
- D655,363 S 3/2012 Vrska
- D656,210 S * 3/2012 Foster D21/752
- D667,907 S * 9/2012 Engel et al. D21/752
- D672,000 S 12/2012 Yi et al.
- D675,272 S 1/2013 Greensmith et al.
- D675,273 S 1/2013 Atwell et al.
- D684,230 S * 6/2013 Roberts et al. D21/752
- D686,679 S 7/2013 Greensmith et al.
- D692,077 S 10/2013 Greensmith et al.
- D697,152 S * 1/2014 Harbert et al. D21/752

* cited by examiner

Primary Examiner — Mitchell Siegel
(74) *Attorney, Agent, or Firm* — Randy K. Chang

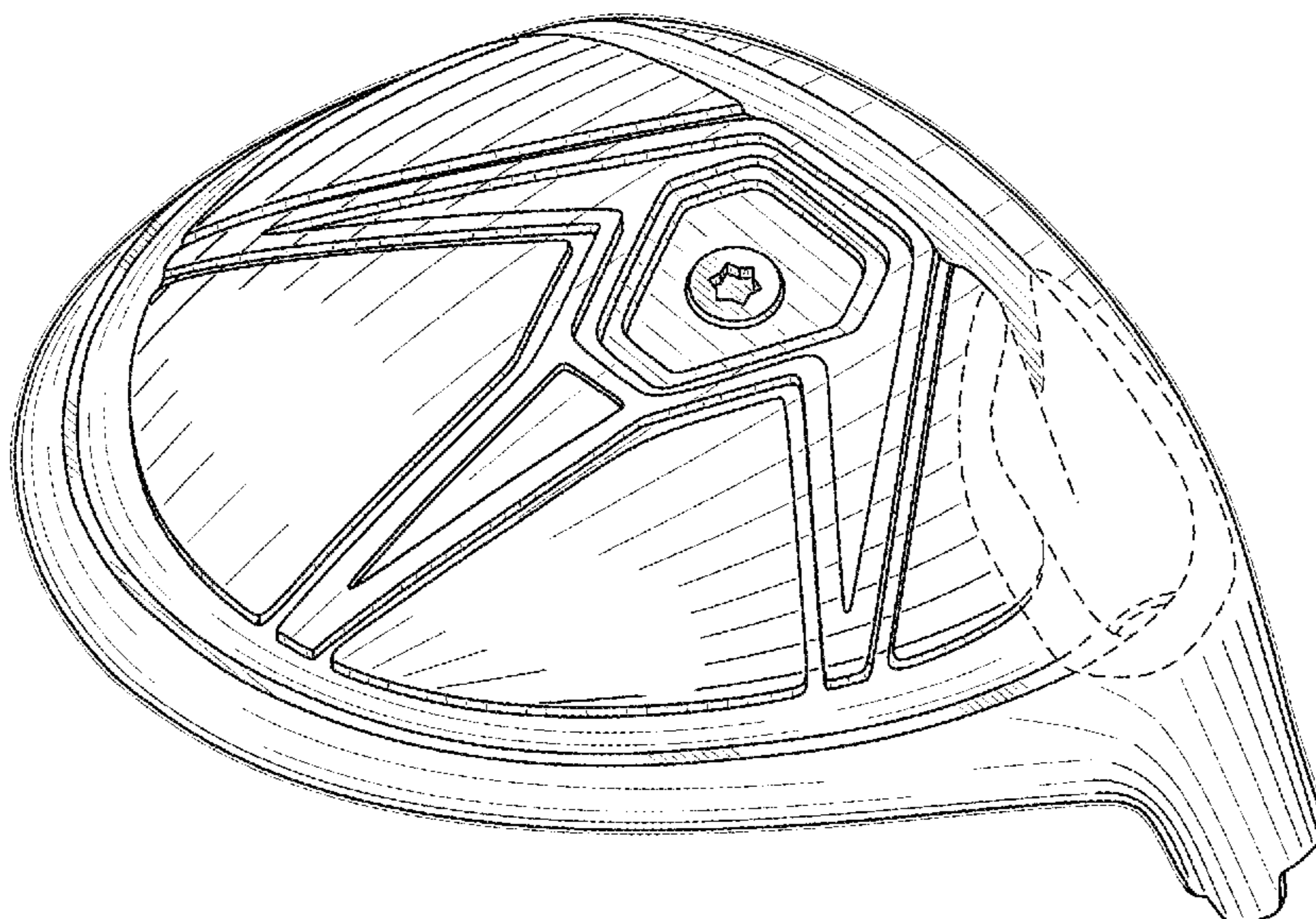
(57) **CLAIM**
The ornamental design for a golf club head, as shown and described.

- (56) **References Cited**
U.S. PATENT DOCUMENTS
- D366,079 S * 1/1996 Kenmi D21/752
- D410,057 S * 5/1999 Ortiz D21/752
- D606,144 S * 12/2009 Kim et al. D21/752
- D606,145 S * 12/2009 Kim et al. D21/752
- D611,555 S * 3/2010 Oldknow D21/759
- D612,004 S * 3/2010 Oldknow D21/759
- D612,440 S 3/2010 Oldknow
- D612,441 S 3/2010 Oldknow
- D614,713 S 4/2010 Oldknow
- D616,952 S 6/2010 Oldknow
- D619,182 S * 7/2010 Foster et al. D21/752
- D624,979 S * 10/2010 Morris et al. D21/752

DESCRIPTION

FIG. 1 is a sole, heel side perspective view of a new design for a golf club head;
FIG. 2 is a front view thereof;
FIG. 3 is a bottom view thereof;
FIG. 4 is a top view thereof;
FIG. 5 is a back view thereof;
FIG. 6 is a heel side view thereof; and,
FIG. 7 is a toe side view thereof.
The portion of the club head shown in phantom does not form any portion of the present invention.

1 Claim, 4 Drawing Sheets



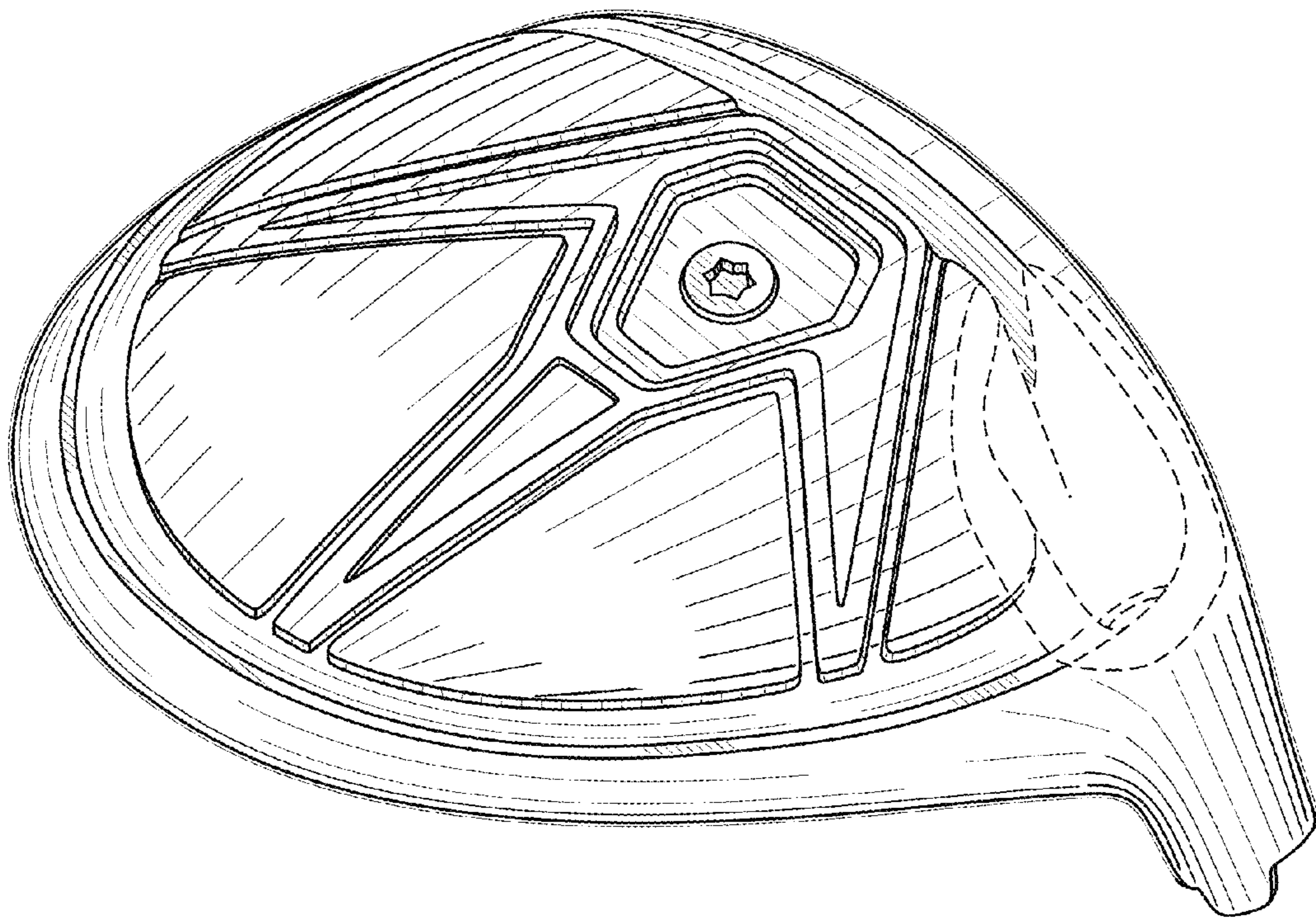


FIG. 1

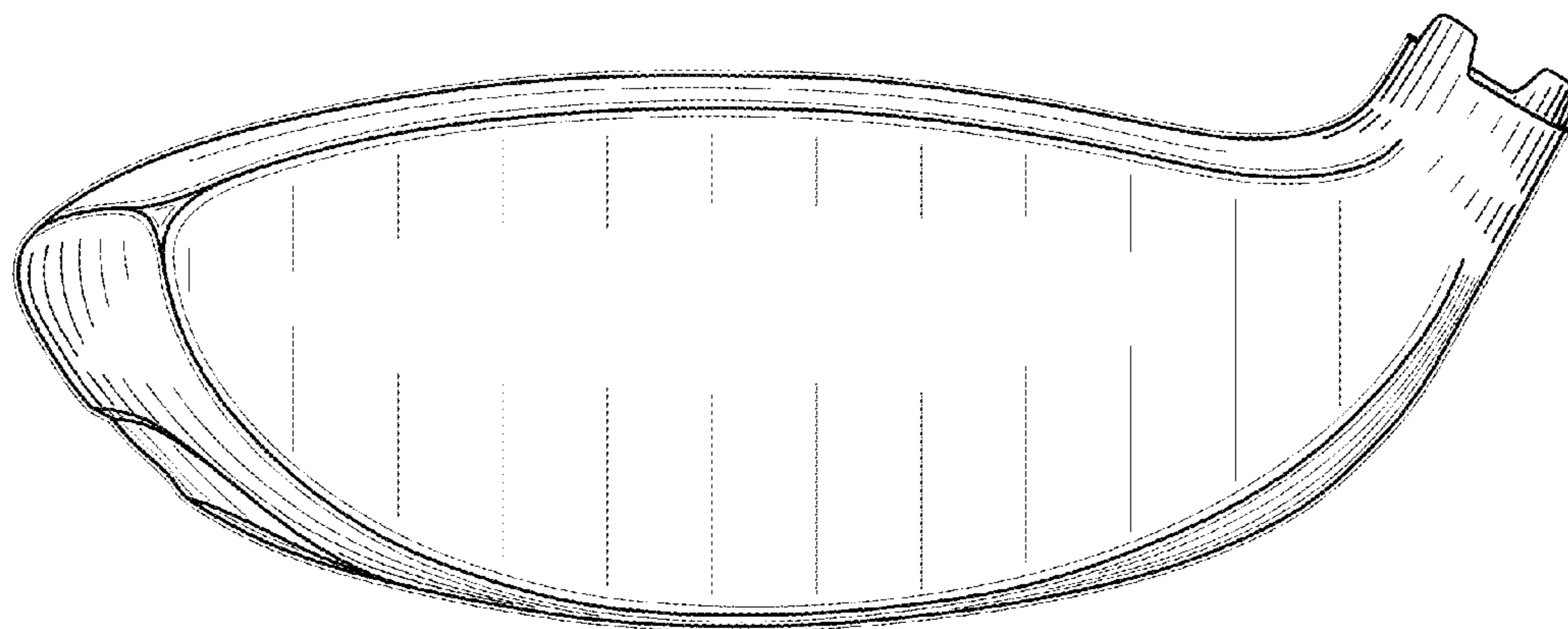


FIG. 2

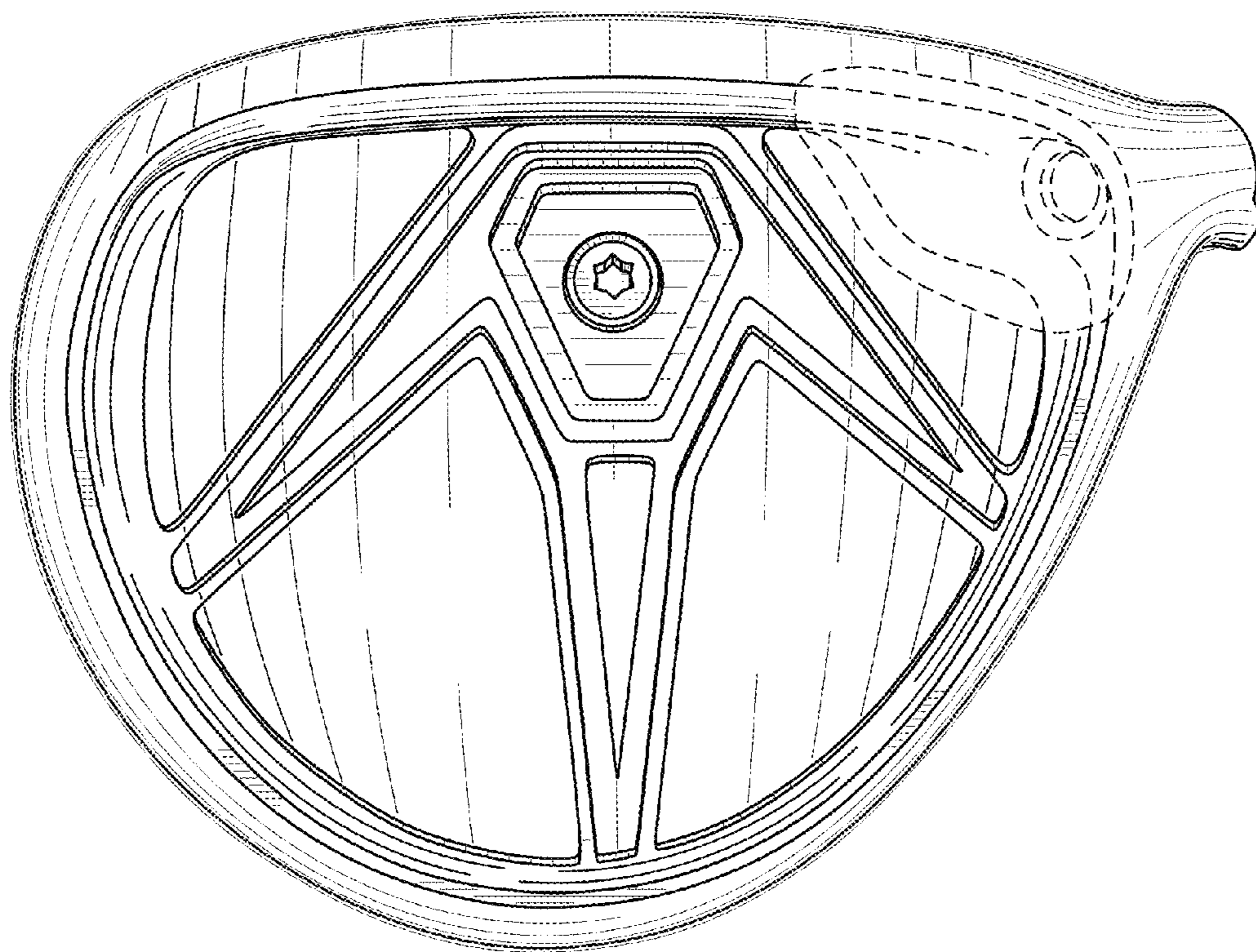


FIG. 3

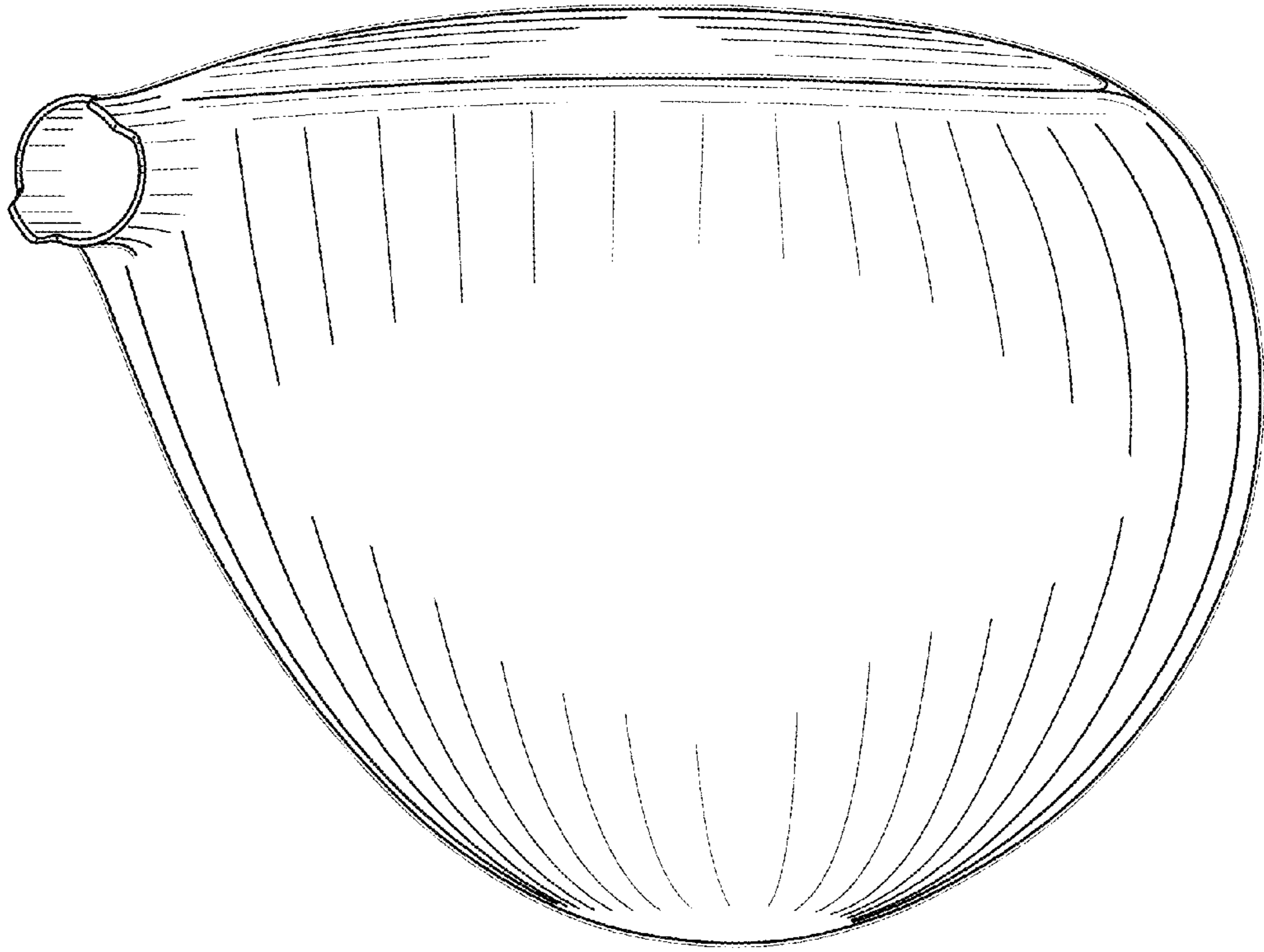


FIG. 4

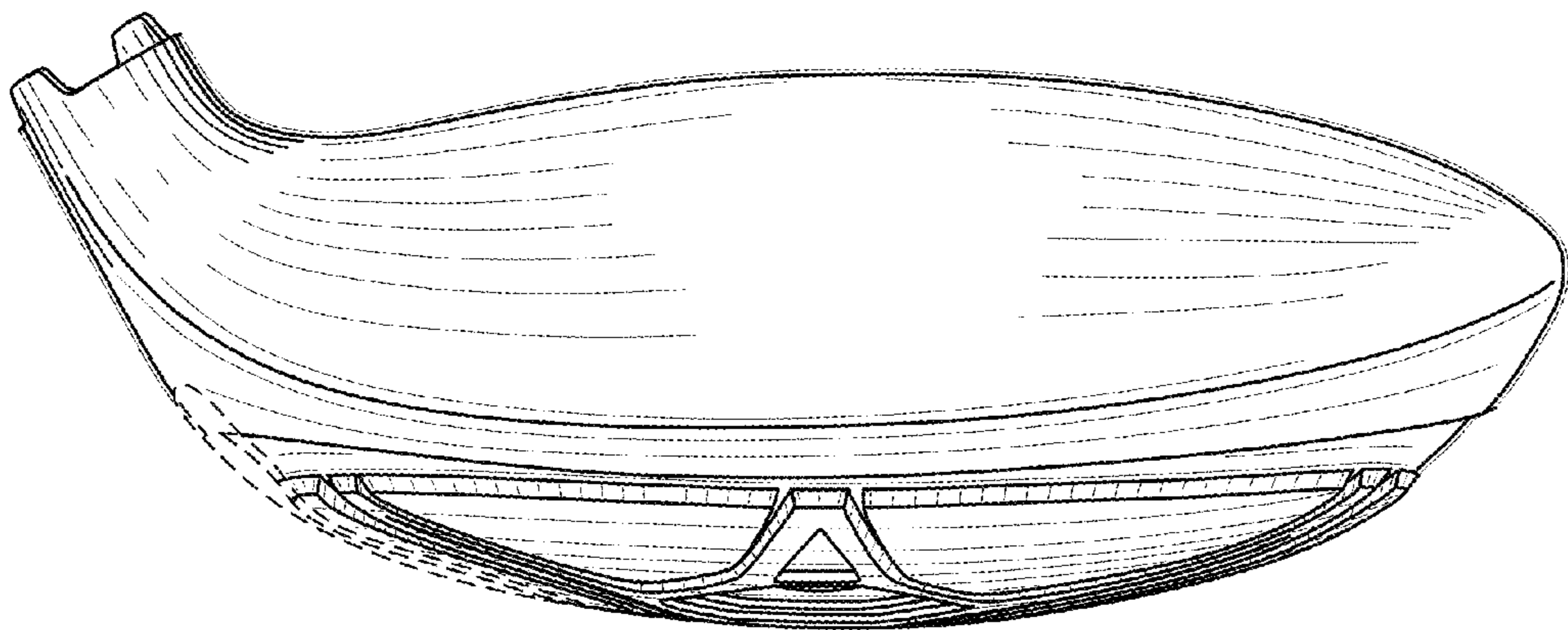


FIG. 5

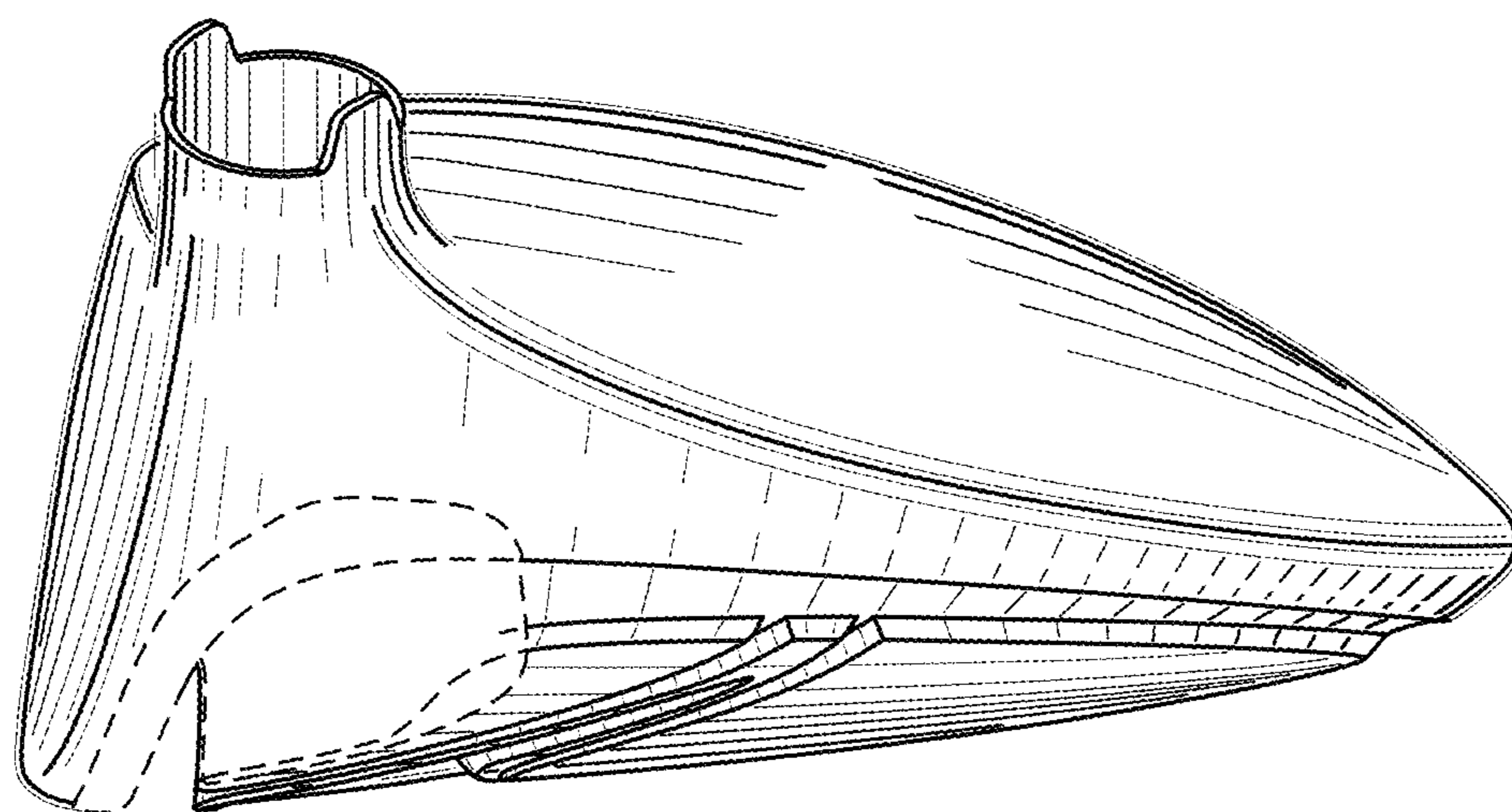


FIG. 6

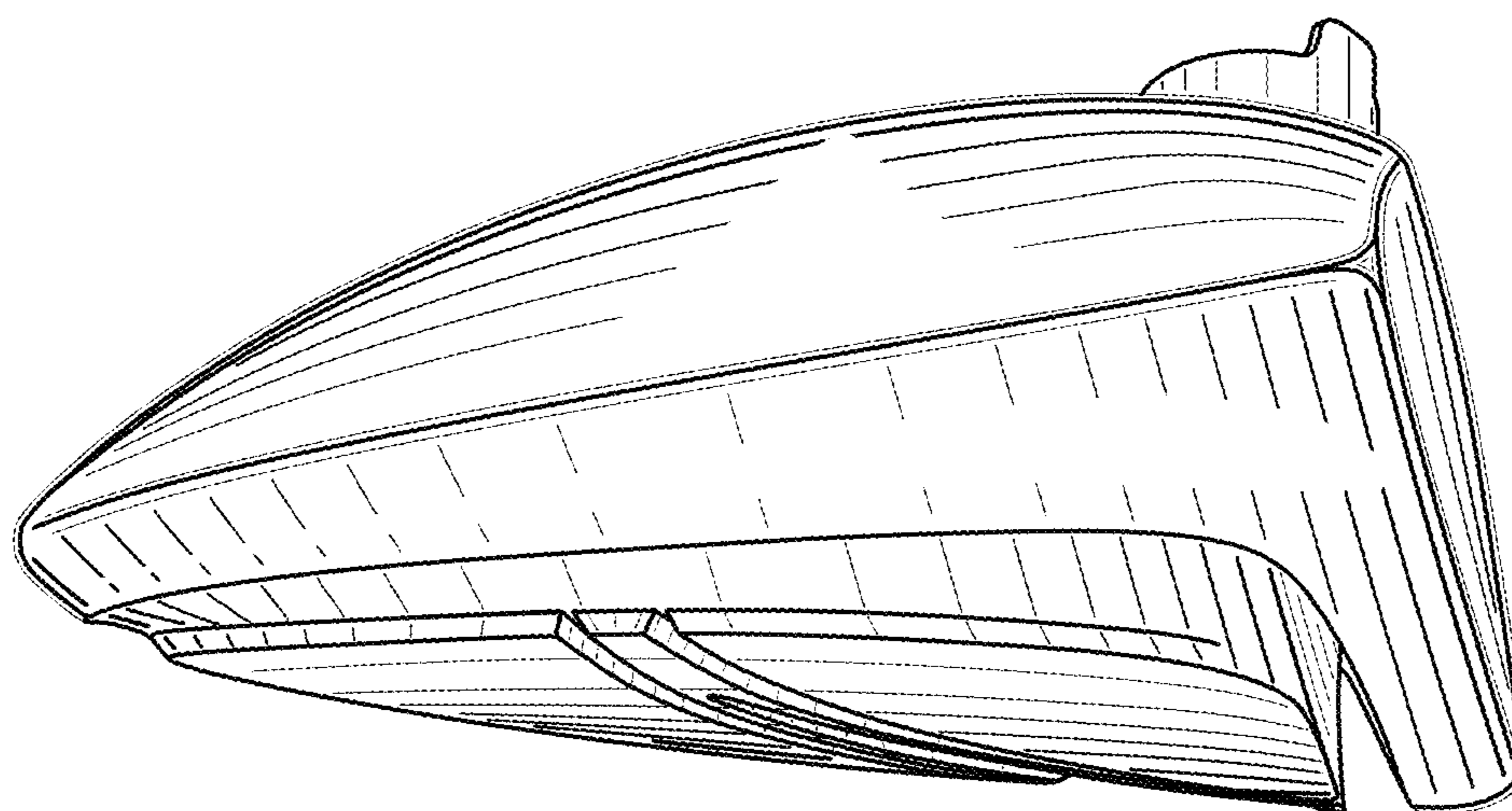


FIG. 7