



US00D726846S

(12) **United States Design Patent**
Schweigert

(10) **Patent No.:** **US D726,846 S**
(45) **Date of Patent:** **** Apr. 14, 2015**

(54) **GOLF CLUB HEAD**

(71) Applicant: **Parsons Xtreme Golf, LLC**, Scottsdale, AZ (US)

(72) Inventor: **Bradley D. Schweigert**, Anthem, AZ (US)

(73) Assignee: **Parsons Xtreme Golf, LLC**, Scottsdale, AZ (US)

(**) Term: **14 Years**

(21) Appl. No.: **29/503,812**

(22) Filed: **Sep. 30, 2014**

(51) **LOC (10) Cl.** **21-02**

(52) **U.S. Cl.**
USPC **D21/743**

(58) **Field of Classification Search**
CPC A63B 53/065; A63B 53/0487
USPC D21/736-746, 759
See application file for complete search history.

(56) **References Cited**

U.S. PATENT DOCUMENTS

4,043,562	A *	8/1977	Shillington	473/254
D350,582	S *	9/1994	Miansian et al.	D21/742
5,429,366	A *	7/1995	McCabe	473/244
D363,101	S *	10/1995	Sturm	D21/746
D365,864	S *	1/1996	Sturm	D21/746
5,489,097	A	2/1996	Simmons	
D368,751	S	4/1996	Rife	
D378,688	S	4/1997	Cameron	
5,683,307	A	11/1997	Rife	

(Continued)

OTHER PUBLICATIONS

U.S. Appl. No. 29/501,012, Parsons et al., Golf Club Head, filed Aug. 29, 2014.

Primary Examiner — Mitchell Siegel

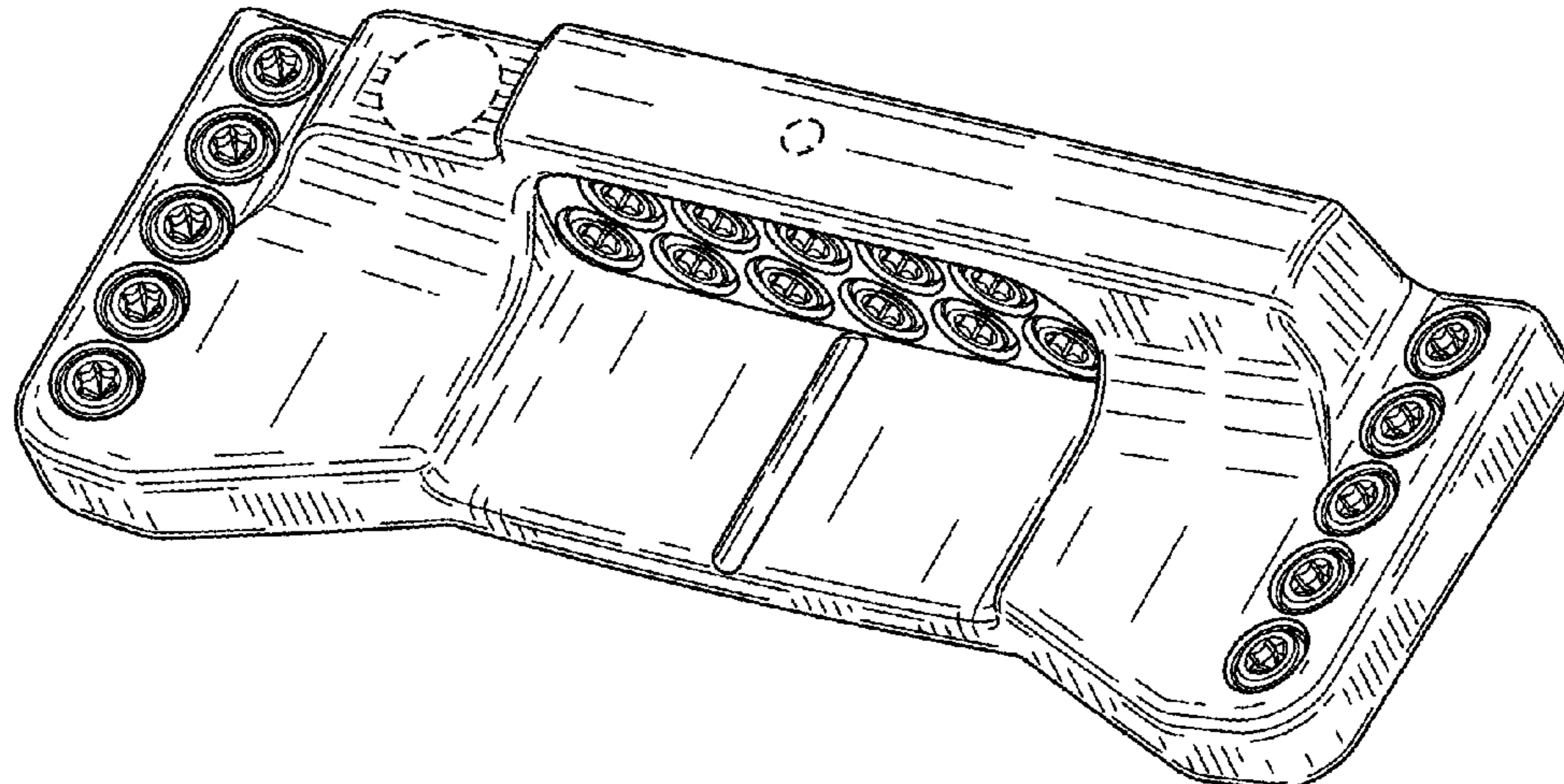
(57) **CLAIM**

The ornamental design for a golf club head, as shown and described.

DESCRIPTION

FIG. 1 is a top perspective view of a golf club head;
 FIG. 2 is a bottom perspective view of the golf club head of FIG. 1;
 FIG. 3 is a front elevational view of the golf club head of FIG. 1;
 FIG. 4 is a rear elevational view of the golf club head of FIG. 1;
 FIG. 5 is a top view of the golf club head of FIG. 1;
 FIG. 6 is a bottom view of the golf club head of FIG. 1;
 FIG. 7 is a left side view of the golf club head of FIG. 1;
 FIG. 8 is a right side view of the golf club head of FIG. 1;
 FIG. 9 is top perspective view of another golf club head;
 FIG. 10 is a bottom perspective view of the golf club head of FIG. 9;
 FIG. 11 is a front elevational view of the golf club head of FIG. 9;
 FIG. 12 is a rear elevational view of the golf club head of FIG. 9;
 FIG. 13 is a top view of the golf club head of FIG. 9;
 FIG. 14 is a bottom view of the golf club head of FIG. 9;
 FIG. 15 is a left side view of the golf club head of FIG. 9; and,
 FIG. 16 is a right side view of the golf club head of FIG. 9.
 The broken lines connecting the solid lines represent the bounds of the claim. The remaining broken lines illustrate the environment. None of the broken lines forms part of the claimed design.

1 Claim, 8 Drawing Sheets



(56)

References Cited

U.S. PATENT DOCUMENTS

D398,685 S	9/1998	Masuda	
D399,911 S	10/1998	Nicolette et al.	
D405,836 S	2/1999	Nicolette et al.	
D409,701 S *	5/1999	Ashcraft et al.	D21/743
5,924,938 A *	7/1999	Hines	473/307
D436,151 S	1/2001	Nicolette et al.	
D441,820 S	5/2001	Nicolette et al.	
D443,668 S	6/2001	Nicolette et al.	
D443,905 S	6/2001	Nicolette et al.	
D444,833 S	7/2001	Wells et al.	
D449,664 S	10/2001	Beebe et al.	
D449,865 S *	10/2001	Fife et al.	D21/736
D450,799 S	11/2001	Nicolette et al.	
D451,973 S	12/2001	Wells et al.	
6,348,014 B1 *	2/2002	Chiu	473/337
6,354,959 B1	3/2002	Nicolette et al.	
D472,949 S *	4/2003	Serrano	D21/736
D474,821 S	5/2003	Wells et al.	
D483,086 S	12/2003	Schweigert et al.	
D486,872 S	2/2004	Schweigert et al.	
D498,276 S	11/2004	Schweigert et al.	
6,902,496 B2	6/2005	Solheim et al.	
6,988,956 B2	1/2006	Cover et al.	
D520,088 S *	5/2006	Parr	D21/744
D531,242 S	10/2006	Adams	
D532,067 S	11/2006	Soracco et al.	
7,153,220 B2	12/2006	Lo	
7,156,752 B1	1/2007	Bennett	
7,204,765 B2	4/2007	Cover et al.	
D542,869 S	5/2007	Adams	
D543,598 S	5/2007	Kuan et al.	
D556,277 S *	11/2007	Broom	D21/743
D561,854 S	2/2008	Morris	
7,331,876 B2	2/2008	Klein	
7,351,162 B2	4/2008	Soracco et al.	
D569,461 S	5/2008	Morris	
D569,930 S *	5/2008	Nehrbas	D21/744
7,396,289 B2	7/2008	Soracco et al.	
D577,085 S	9/2008	Nicolette et al.	
D577,086 S	9/2008	Nicolette et al.	
D579,506 S	10/2008	Nicolette et al.	
D579,995 S	11/2008	Nicolette et al.	
D582,497 S	12/2008	Rollinson	
7,473,189 B2 *	1/2009	Schweigert et al.	473/341
7,491,131 B2	2/2009	Vinton	
D599,425 S	9/2009	Laub	
7,744,485 B2	6/2010	Jones et al.	
D620,993 S	8/2010	Laub	
D623,709 S *	9/2010	Serrano et al.	D21/736
D631,925 S *	2/2011	Broom	D21/743
7,887,432 B2	2/2011	Jones et al.	
7,909,707 B2	3/2011	Klein	
7,918,745 B2	4/2011	Morris et al.	
D638,891 S	5/2011	Nicolette et al.	
D642,643 S	8/2011	Nicolette et al.	
D643,485 S	8/2011	Nicolette et al.	
D645,104 S	9/2011	Nicolette et al.	
8,096,039 B2	1/2012	Soracco et al.	
D653,718 S	2/2012	Stokke et al.	
D666,260 S	8/2012	Cynn	
D688,339 S	8/2013	Hilton et al.	
D688,341 S	8/2013	Rollinson	
D691,226 S	10/2013	Hilton et al.	
D699,308 S	2/2014	Rollinson	
D704,782 S	5/2014	Rollinson	
8,721,472 B2	5/2014	Kuan et al.	
8,790,193 B2	7/2014	Serrano et al.	
2007/0142122 A1	6/2007	Bonneau	
2007/0238548 A1	10/2007	Johnson	
2008/0176672 A1	7/2008	Roach et al.	
2011/0165959 A1	7/2011	Klein	
2013/0165256 A1	6/2013	Stevenson	
2013/0210537 A1	8/2013	Ainscough et al.	

* cited by examiner

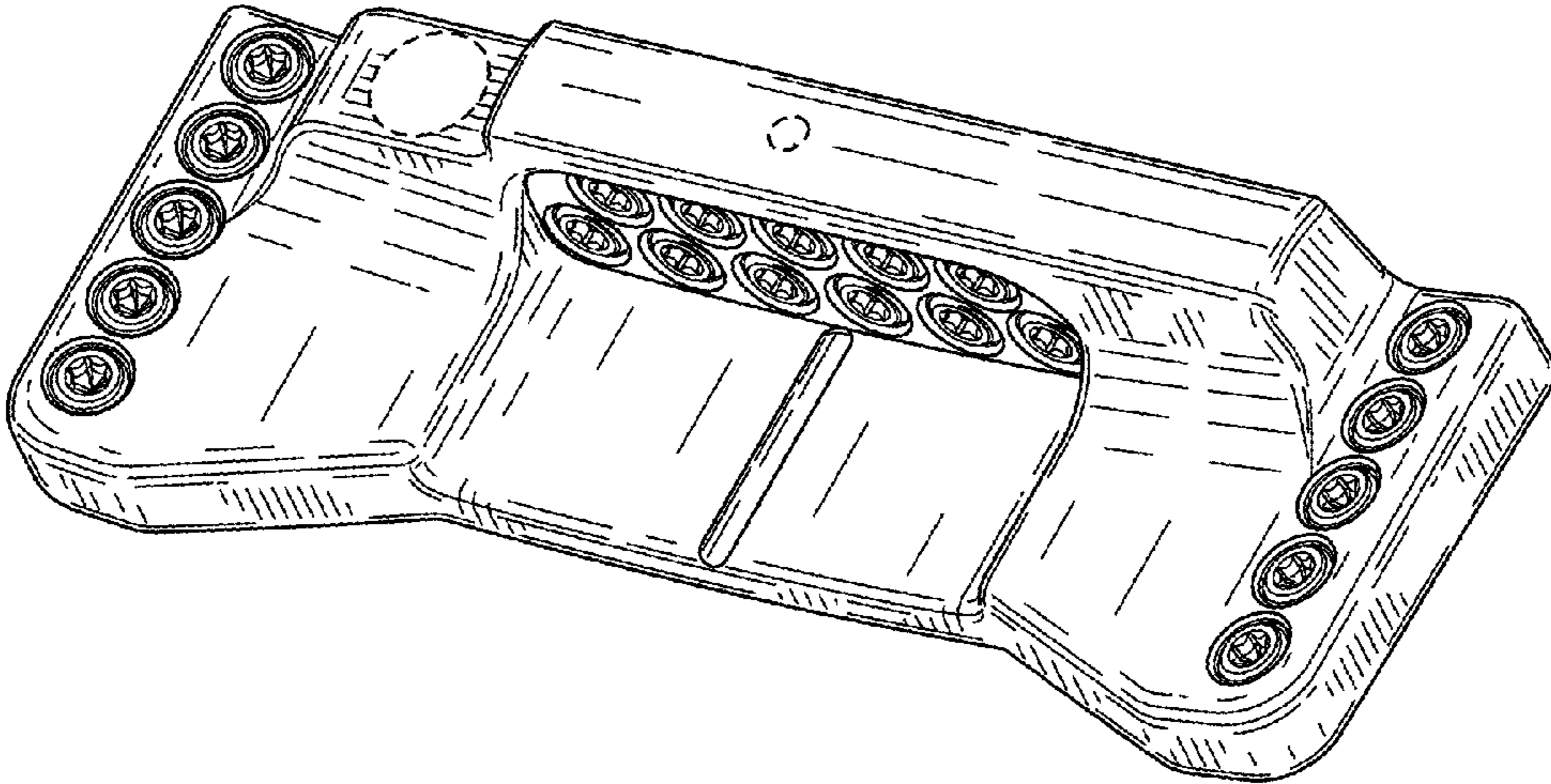


FIG. 1

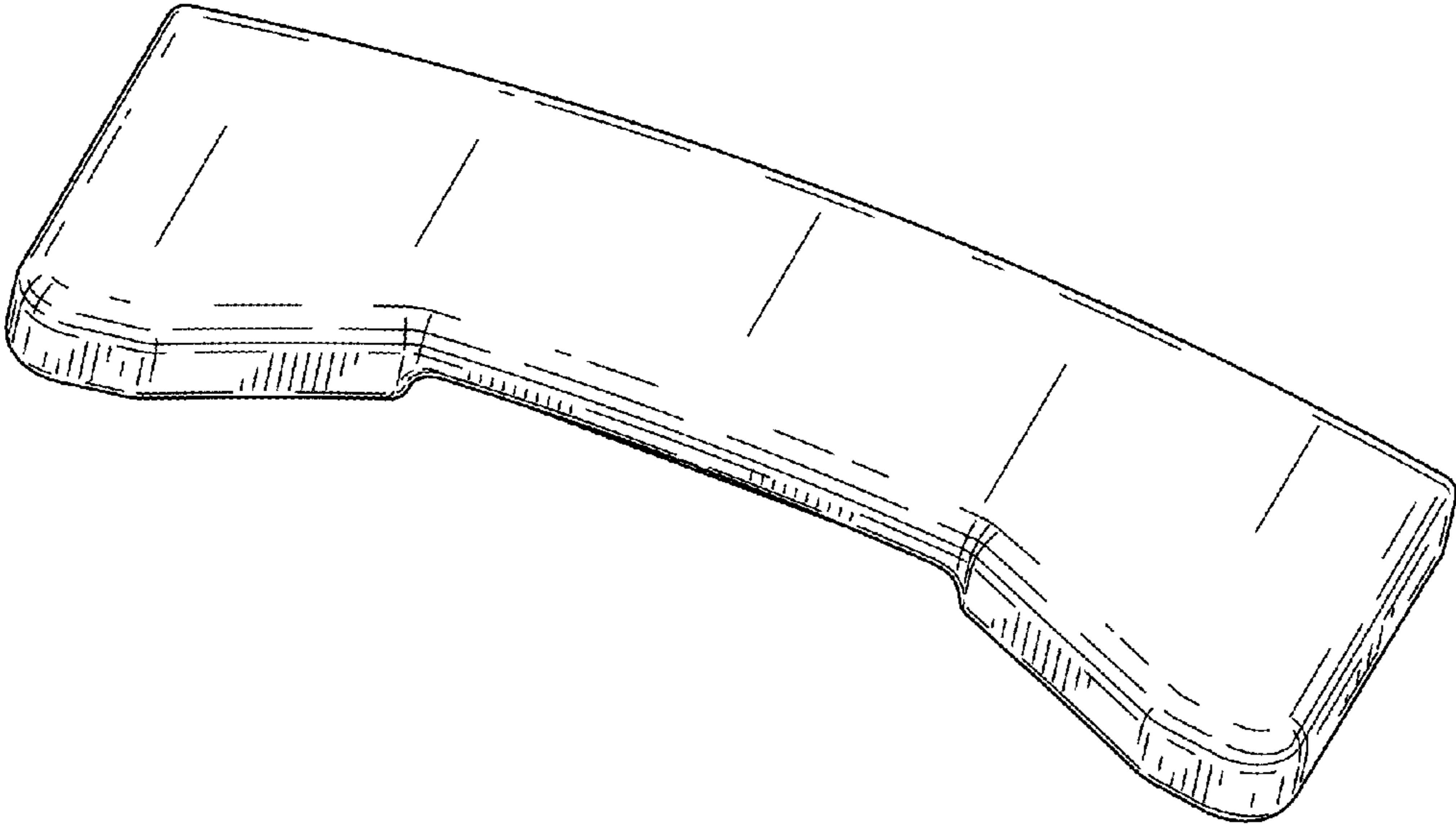


FIG. 2

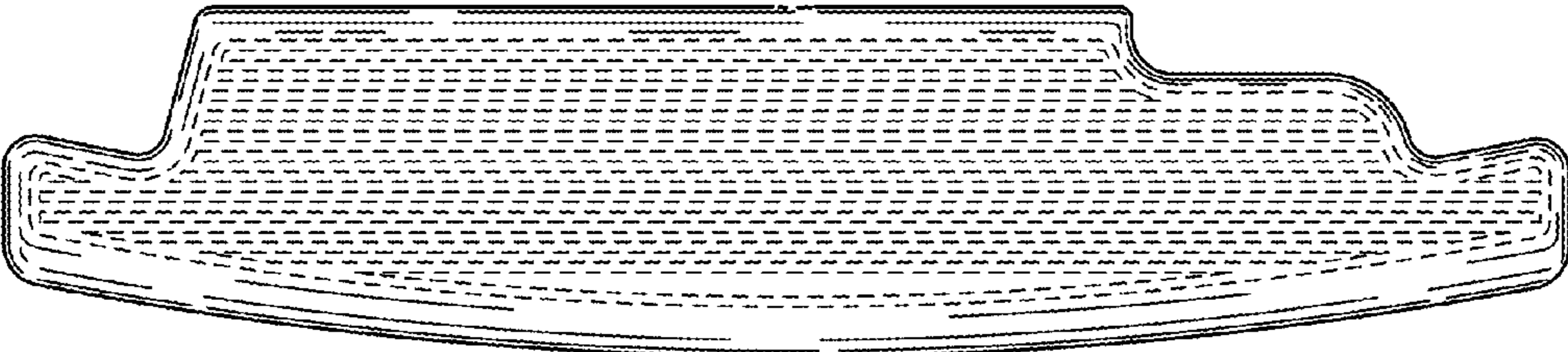


FIG. 3

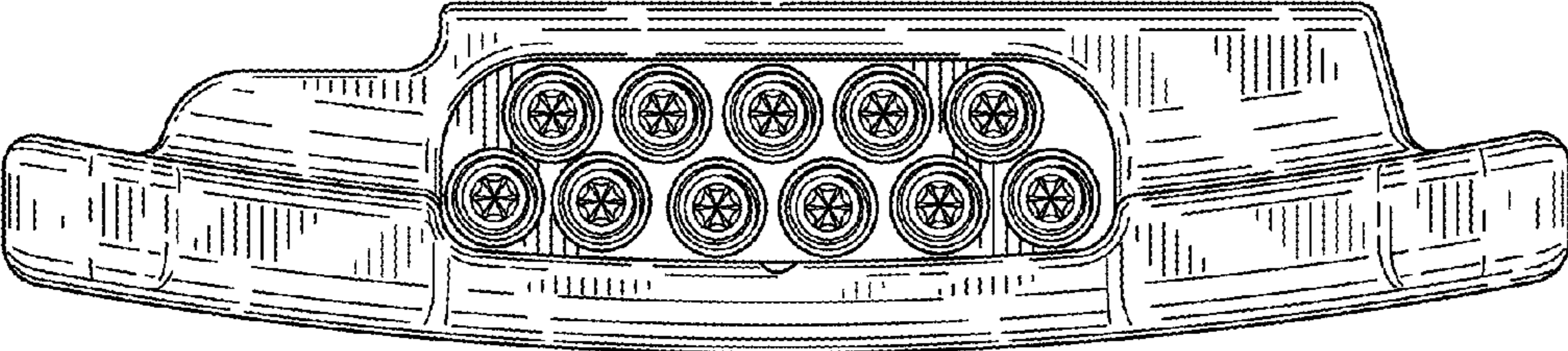


FIG. 4

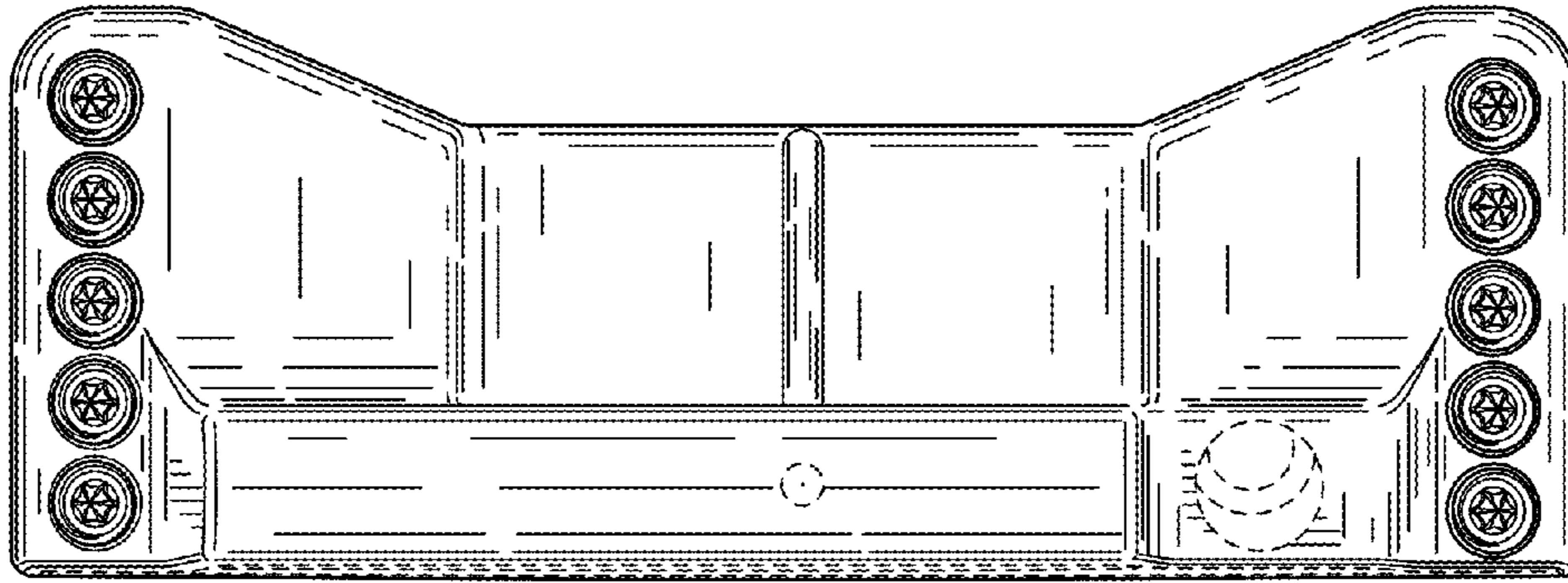


FIG. 5



FIG. 6

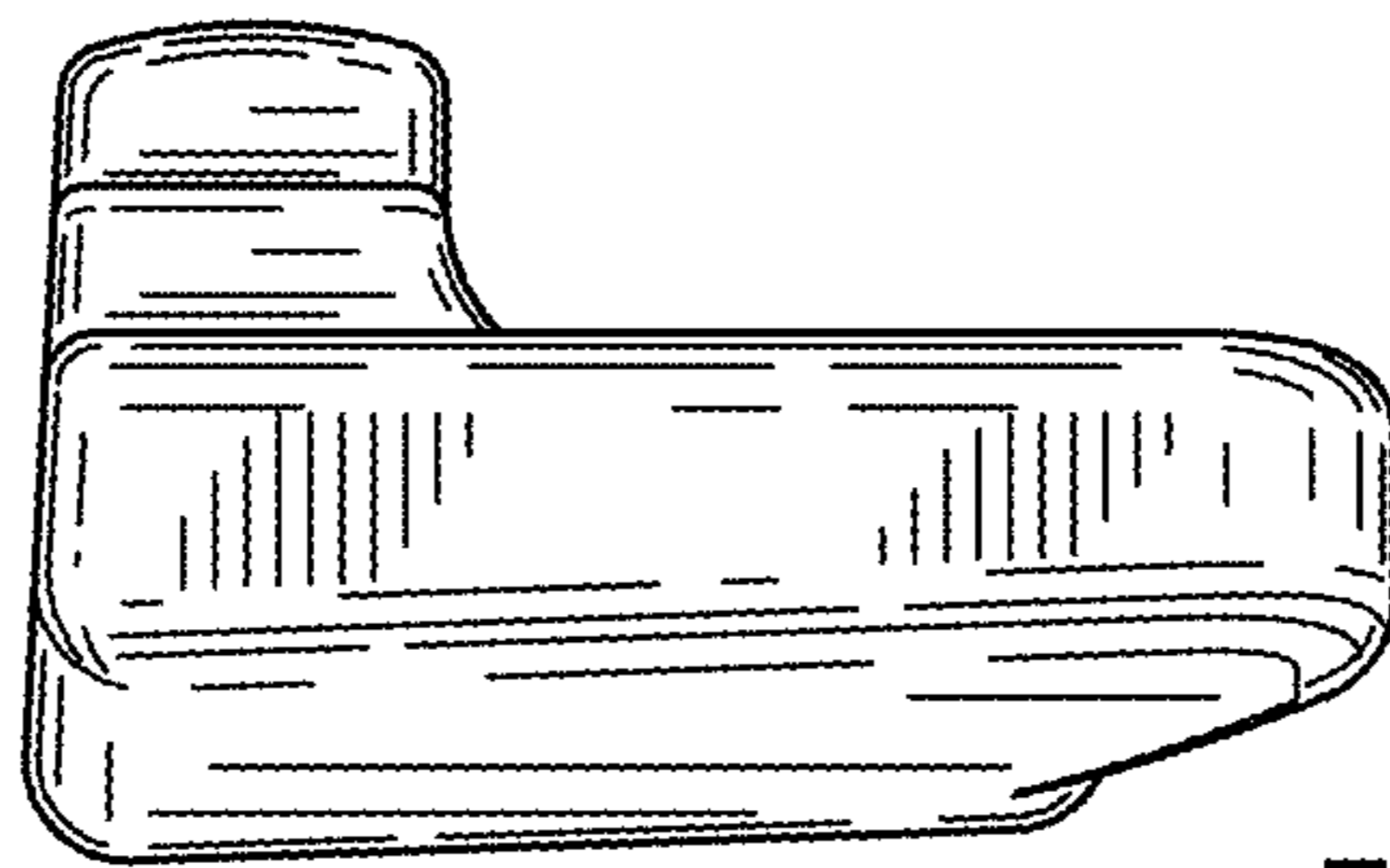


FIG. 7

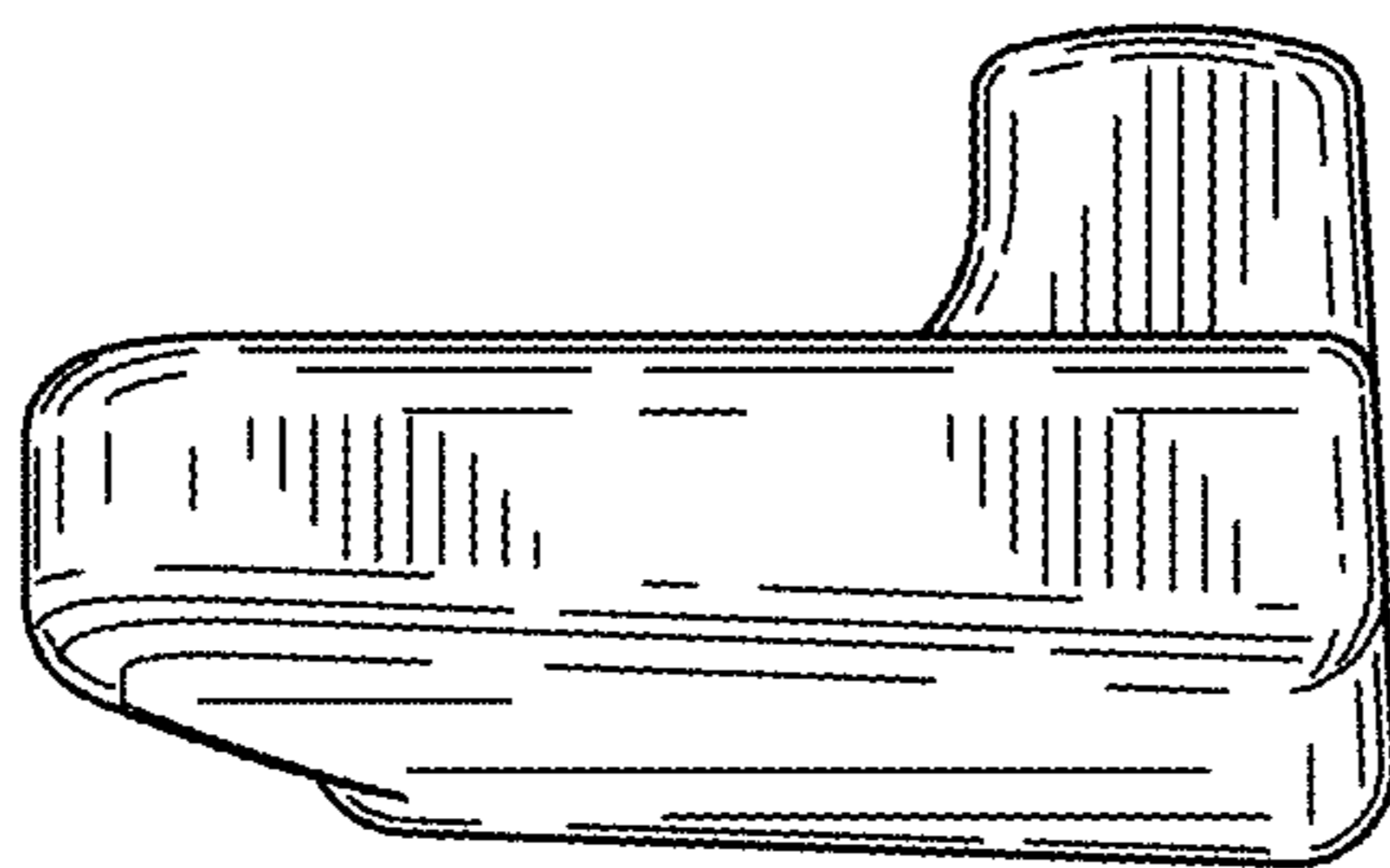


FIG. 8

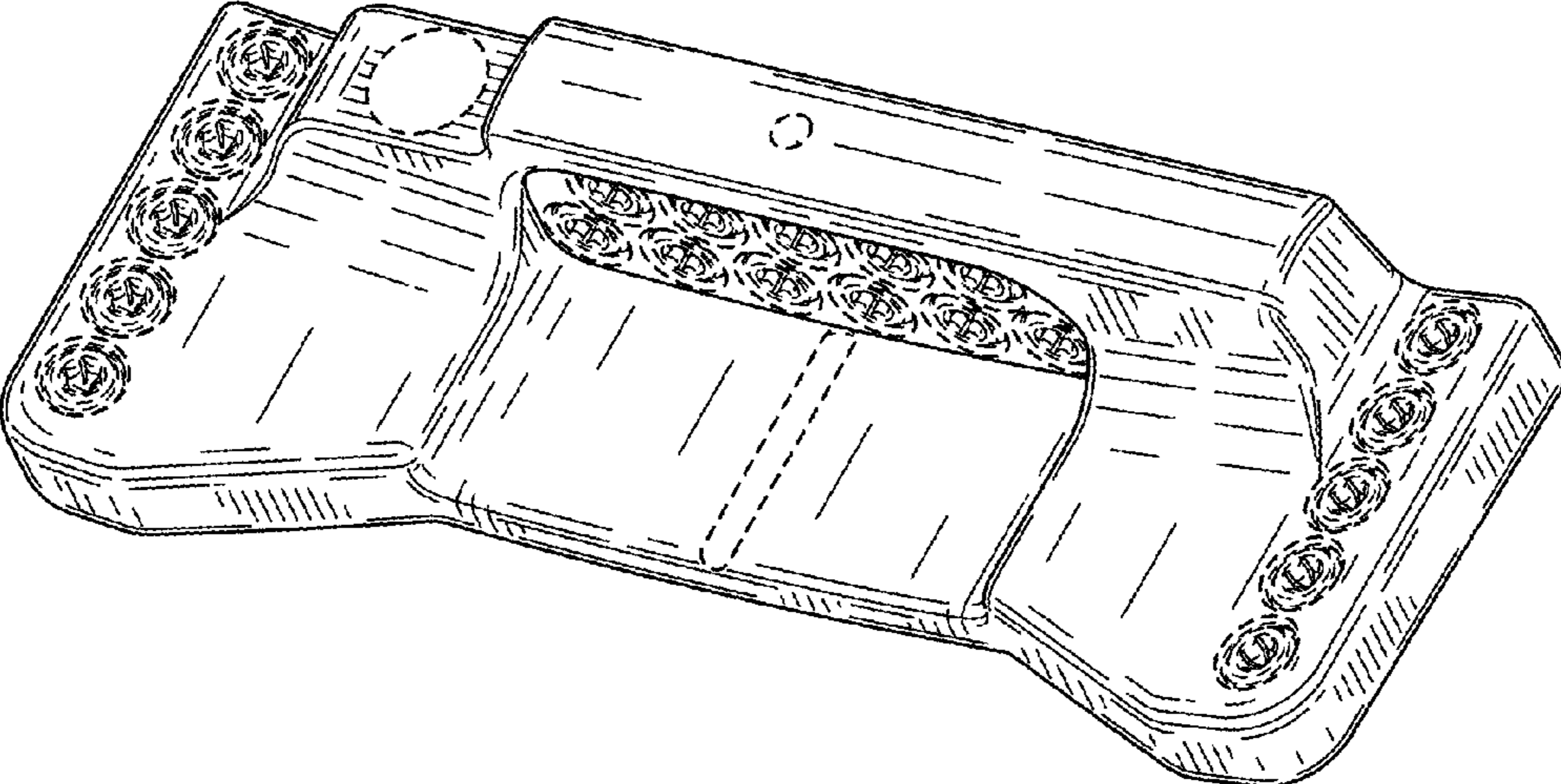


FIG. 9

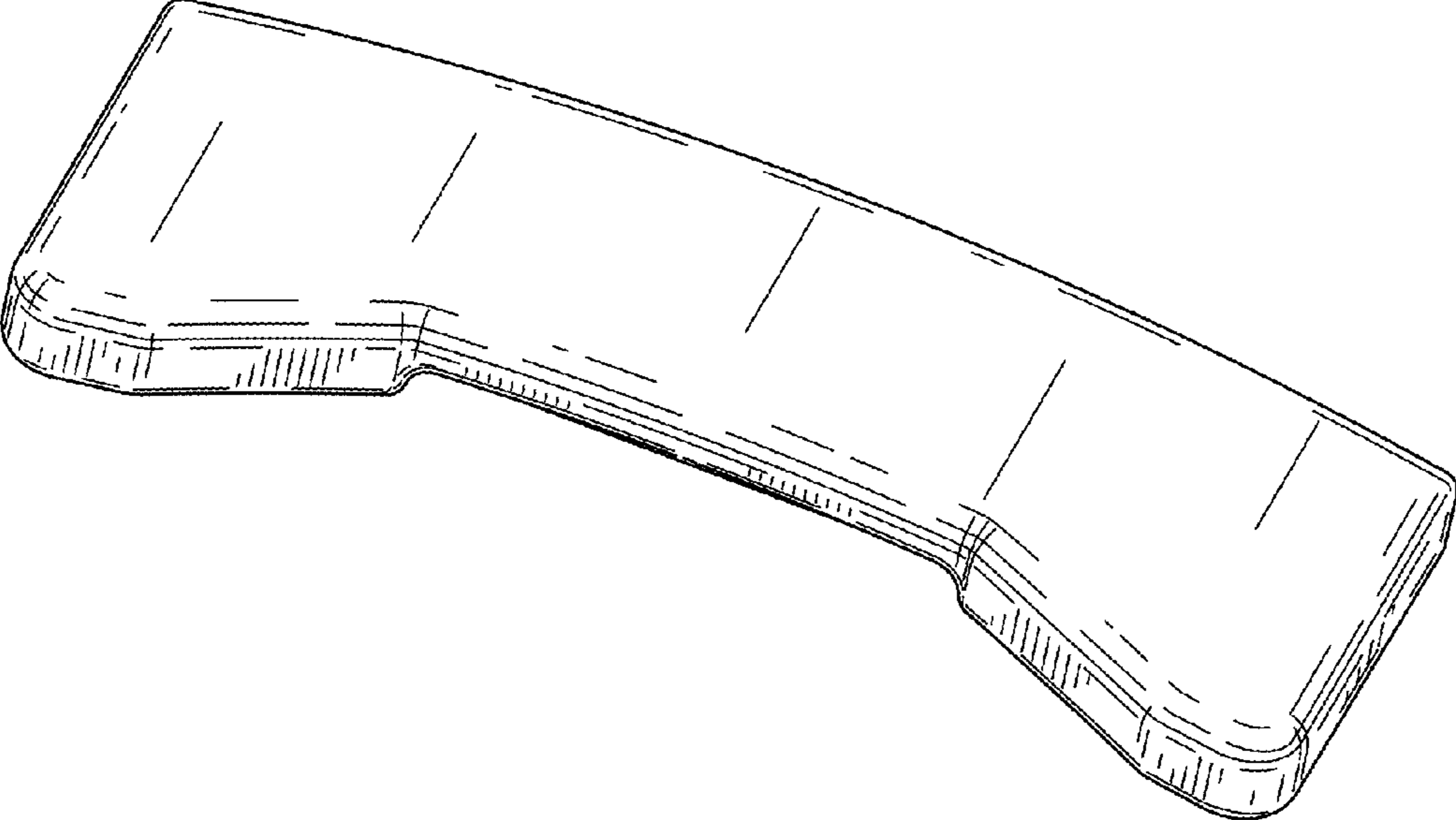


FIG. 10

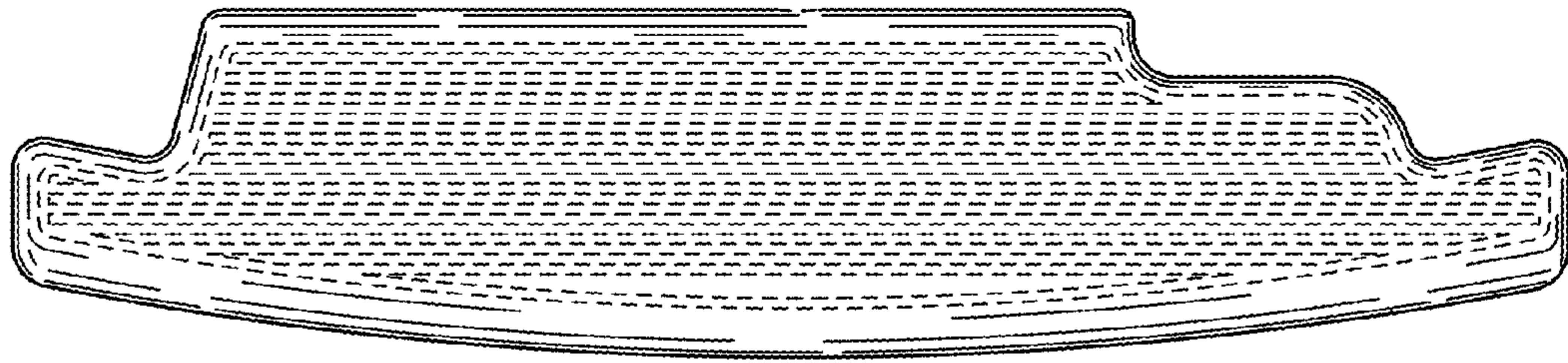


FIG. 11

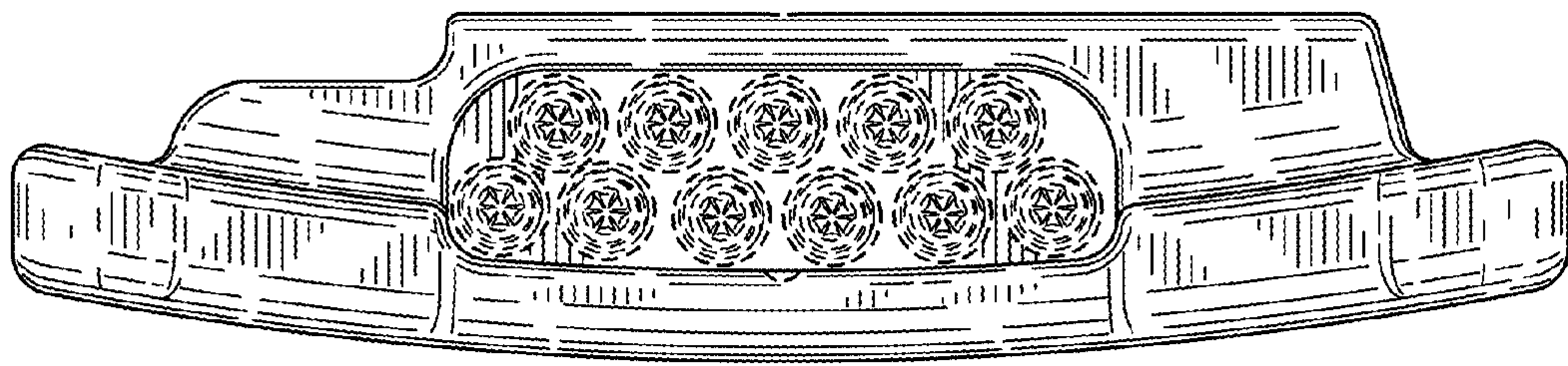


FIG. 12

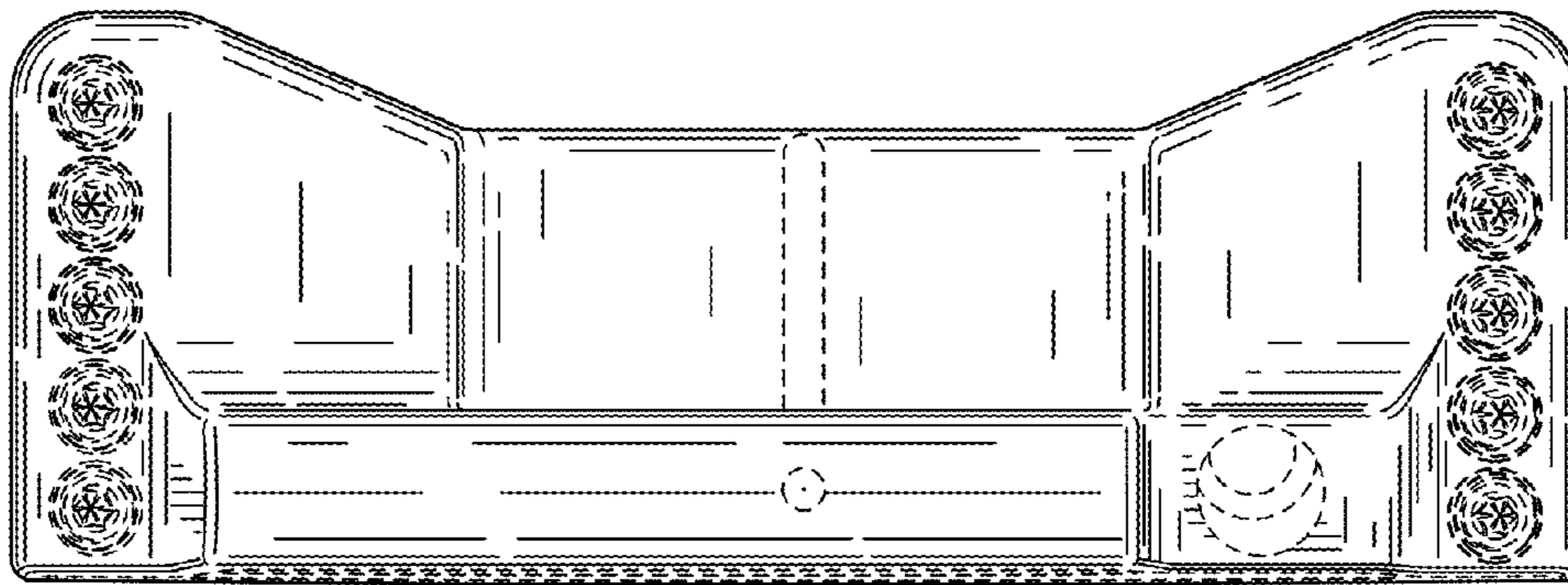


FIG. 13



FIG. 14

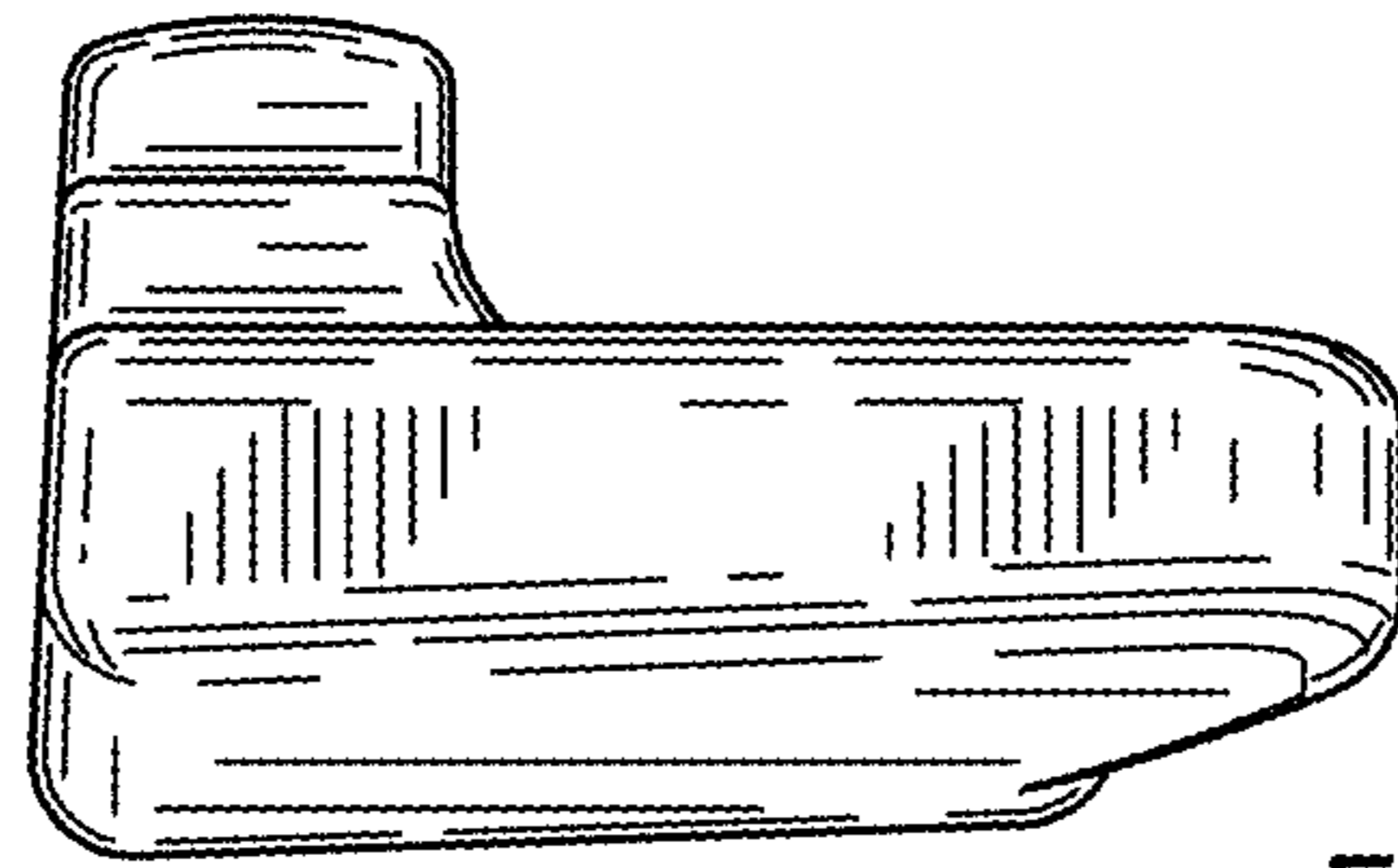


FIG. 15

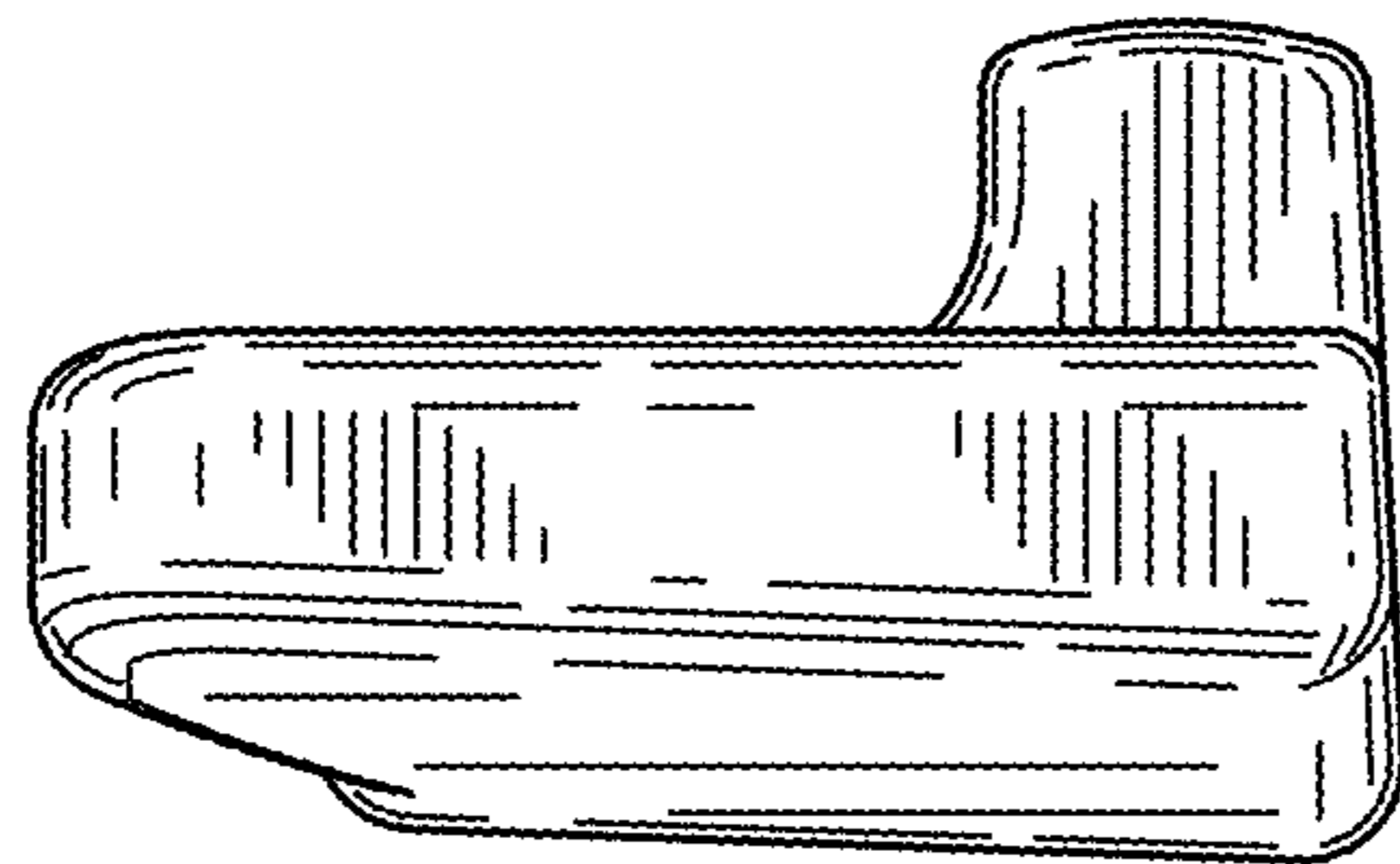


FIG. 16