



US00D726845S

(12) **United States Design Patent**  
**Hubler et al.**

(10) **Patent No.:** **US D726,845 S**  
(45) **Date of Patent:** **\*\* Apr. 14, 2015**

- (54) **SIDE RAILS OF A TREADMILL**
- (71) Applicant: **Precor Incorporated**, Woodinville, WA (US)
- (72) Inventors: **Robert B. Hubler**, Woodinville, WA (US); **Stephen C. Pennington**, Redmond, WA (US); **Weston VanWambeke**, Shoreline, WA (US)
- (73) Assignee: **Precor Incorporated**, Woodinville, WA (US)
- (\*\*) Term: **14 Years**
- (21) Appl. No.: **29/484,704**
- (22) Filed: **Mar. 12, 2014**
- (51) **LOC (10) Cl.** ..... **21-02**
- (52) **U.S. Cl.**  
USPC ..... **D21/694**
- (58) **Field of Classification Search**  
CPC ..... A63B 2022/0214; A63B 2022/0221; A63B 22/208; A63B 2024/0093; A63B 2071/009; A63B 22/0664; A63B 2022/0647; A63B 21/1484; A63B 22/0015; A63B 24/0062; A63B 69/00  
USPC ..... D21/437, 453, 477, 492, 662-672, 682, D21/685, 686, 694, 696; 482/4, 51, 52, 53, 482/54, 57, 58, 59, 66, 68, 70, 74, 98, 96, 482/910; D6/341, 601, 582, 700, 701, 702; D12/122, 8, 9, 93, 178, 203; D8/303, D8/380, 381; D25/127; 472/43, 48, 91, 472/136  
See application file for complete search history.

- D447,780 S 9/2001 Arnold et al. .... D21/669
- 6,761,669 B1 \* 7/2004 Pan et al. .... 482/54
- D512,868 S \* 12/2005 Eberwein ..... D6/582
- D521,577 S \* 5/2006 Wu ..... D21/669
- 7,163,493 B1 \* 1/2007 Kuo ..... 482/54
- D539,717 S \* 4/2007 Hussaini et al. .... D12/203

(Continued)

**OTHER PUBLICATIONS**

Internet search [date searched Feb. 3, 2015] Product brochure  
Internet URL<<http://files.precor.com/products/media/english/brochures/Sell-Sheets-TRM-835-WEB-01062015.pdf>>\*

*Primary Examiner* — Philip S Hyder  
*Assistant Examiner* — Keith Frank

(74) *Attorney, Agent, or Firm* — Terence P. O'Brien

(57) **CLAIM**

We claim the ornamental design for side rails of a treadmill, as shown and described.

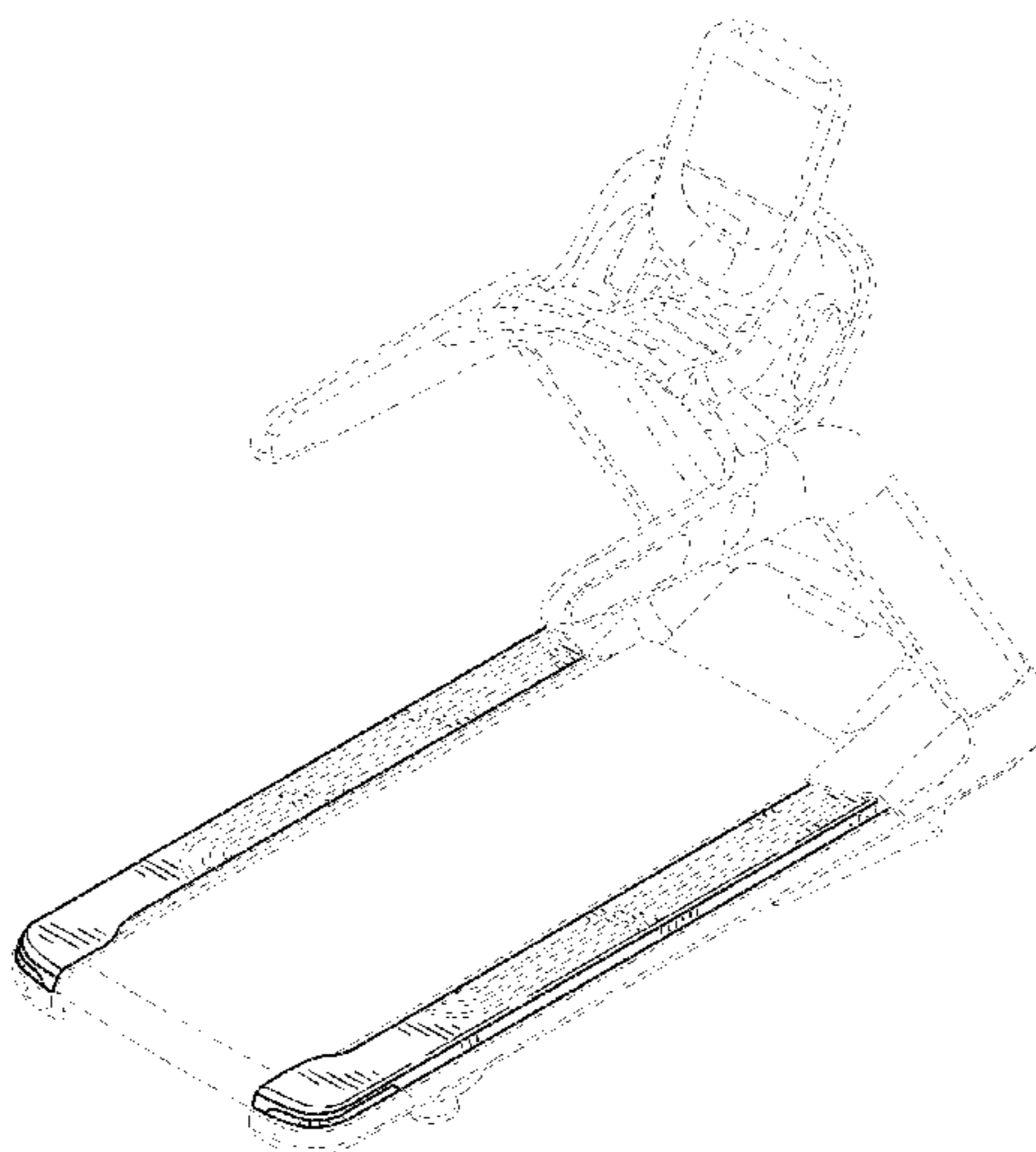
**DESCRIPTION**

FIG. 1 is a side, front perspective view of side rails of a treadmill;  
 FIG. 2 is a first side view of the side rails of a treadmill of FIG. 1;  
 FIG. 3 is a second side view of the side rails of a treadmill of FIG. 1;  
 FIG. 4 is a front view of the side rails of a treadmill of FIG. 1;  
 FIG. 5 is a rear view of the side rails of a treadmill of FIG. 1;  
 and,  
 FIG. 6 is a top view of the side rails of a treadmill of FIG. 1.  
 The ornamental design that is claimed is shown in solid lines in the drawings. The broken (dashed) lines shown in the figures are included for the purpose of illustrating environmental elements only and form no part of the claimed design. The broken lines located on the top surface of the side rails delineating elongated strips are provide for the purpose of depicting features of the side rails that form no part of the claimed design.

**1 Claim, 5 Drawing Sheets**

(56) **References Cited**  
U.S. PATENT DOCUMENTS

- D313,826 S 1/1991 Birrell et al. .... D21/194
- 5,088,729 A \* 2/1992 Dalebout ..... 482/54
- D436,784 S \* 1/2001 Iacovelli et al. .... D6/582



(56)

**References Cited**

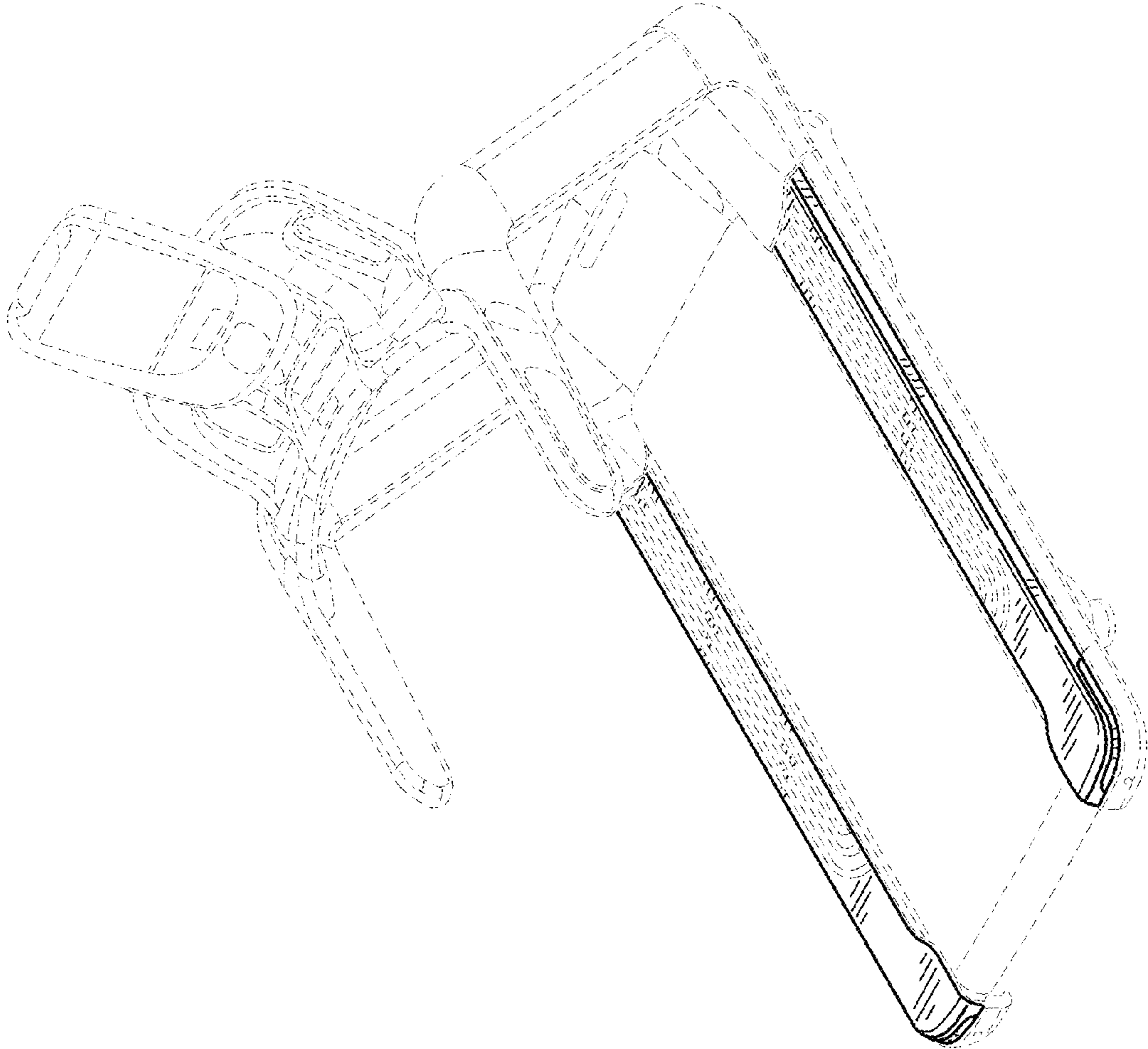
U.S. PATENT DOCUMENTS

D557,359 S 12/2007 Olason et al. .... D21/696  
D557,360 S 12/2007 Olason et al. .... D21/696  
D567,729 S \* 4/2008 Crandall ..... D12/203  
D582,997 S 12/2008 Olason et al. .... D21/694  
D585,506 S 1/2009 Olason et al. .... D21/696

D595,630 S \* 7/2009 McPherson et al. .... D12/203  
D673,402 S \* 1/2013 Kuzyk ..... D6/702  
D676,368 S \* 2/2013 Cover ..... D12/203  
D703,598 S \* 4/2014 Wang ..... D12/203  
2004/0018917 A1 \* 1/2004 Corbalis et al. .... 482/54  
2012/0178590 A1 \* 7/2012 Lu ..... 482/54  
2013/0190140 A1 \* 7/2013 Chen ..... 482/54

\* cited by examiner

FIG. 1



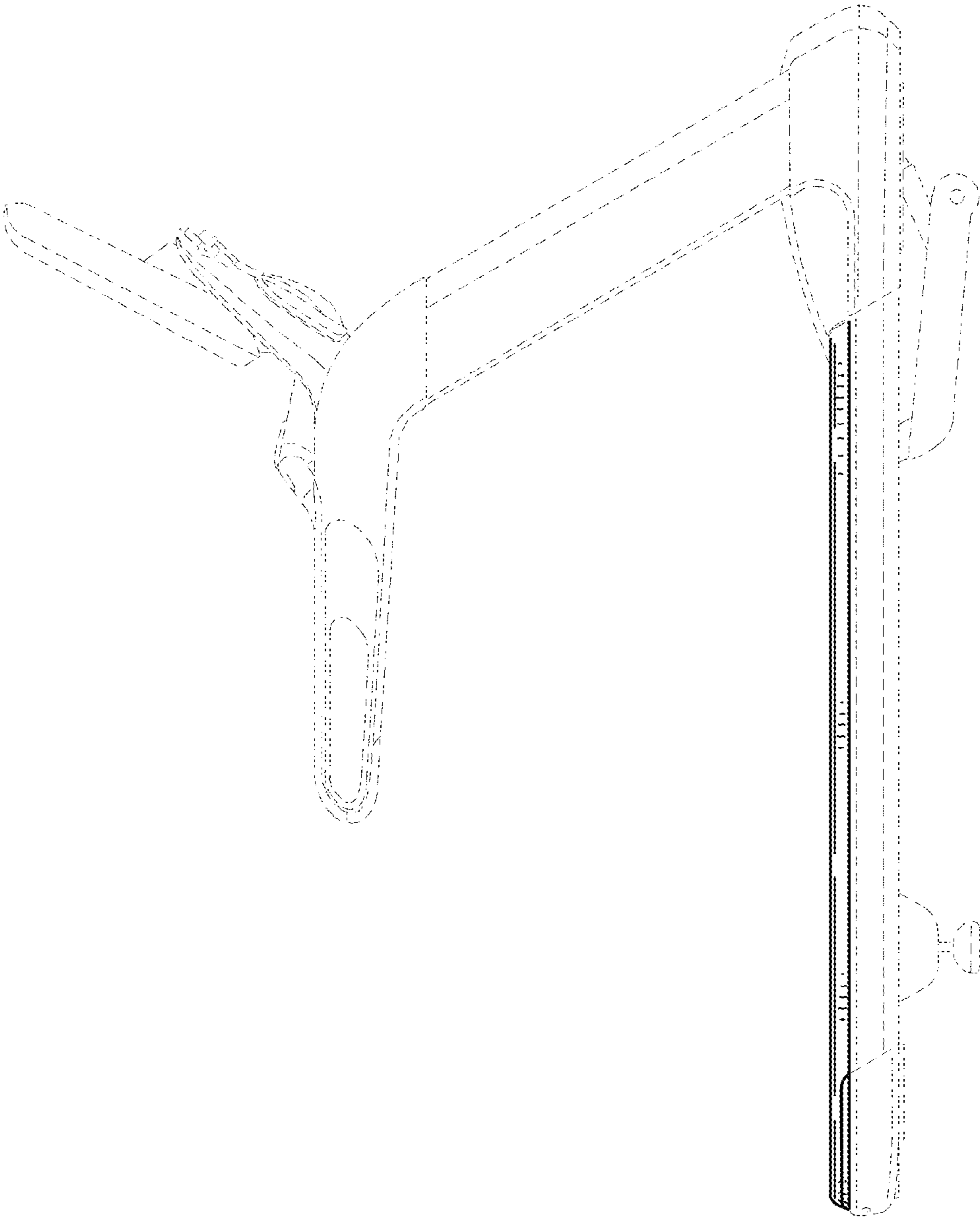


FIG. 2

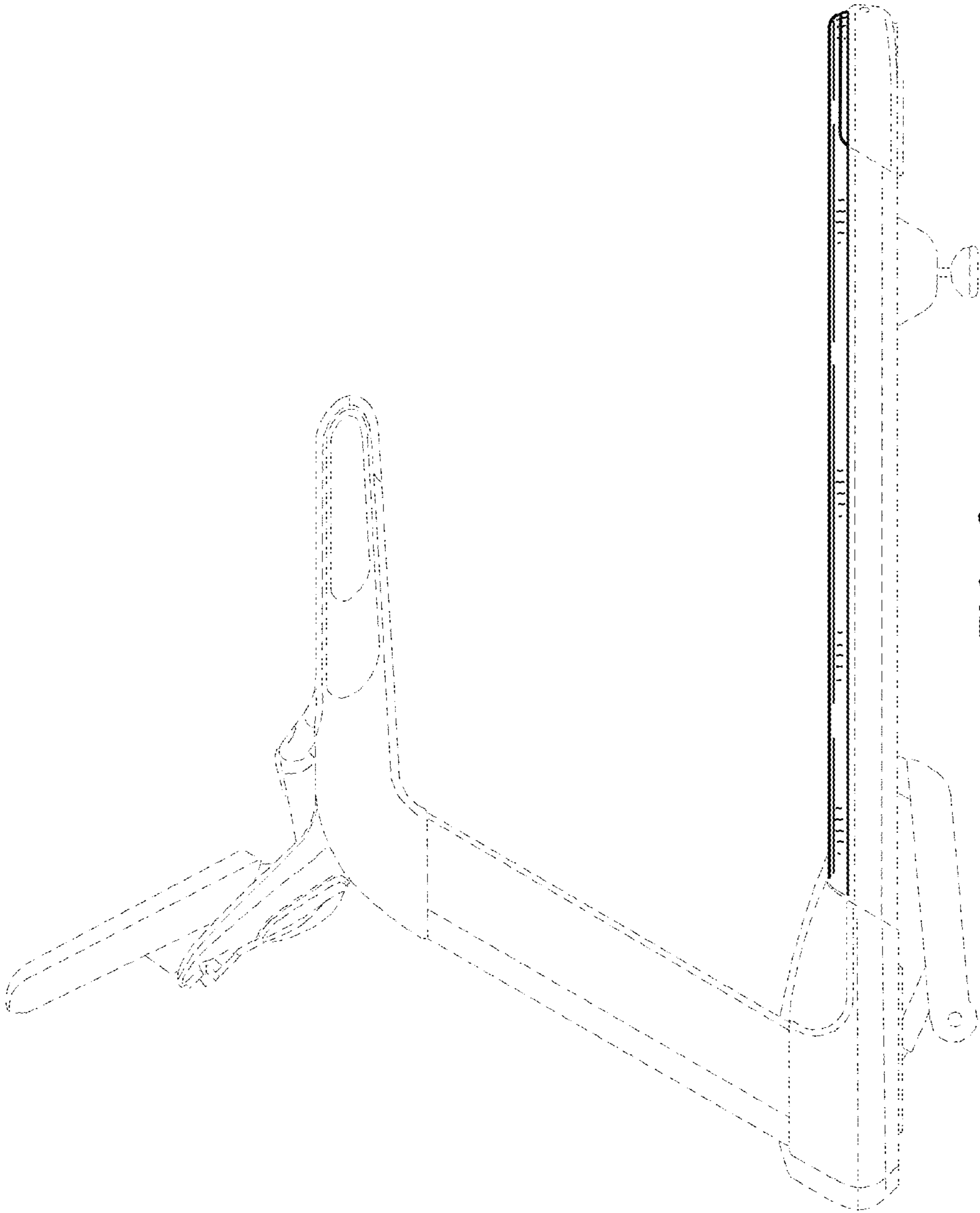


FIG. 3

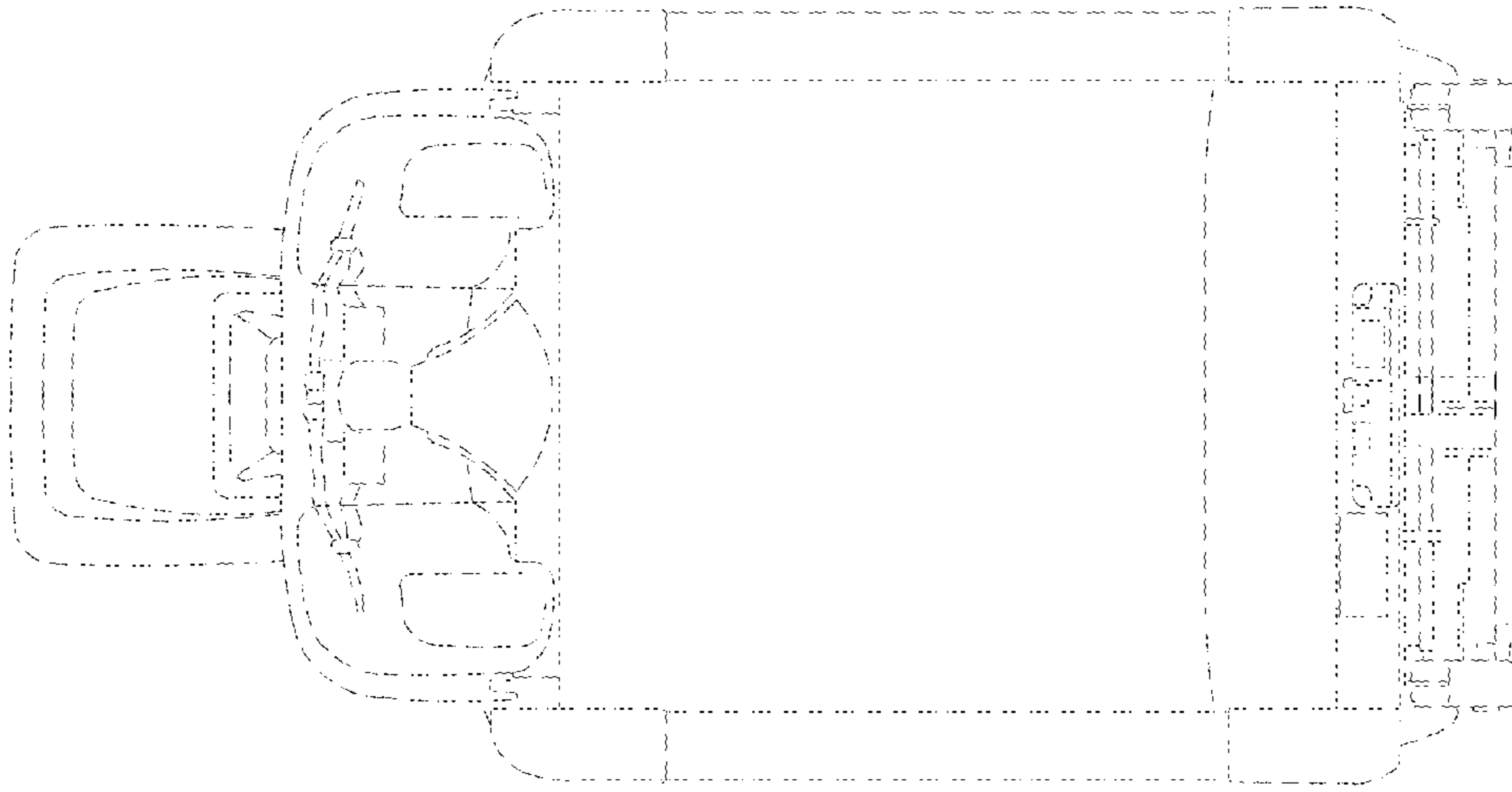


FIG. 5

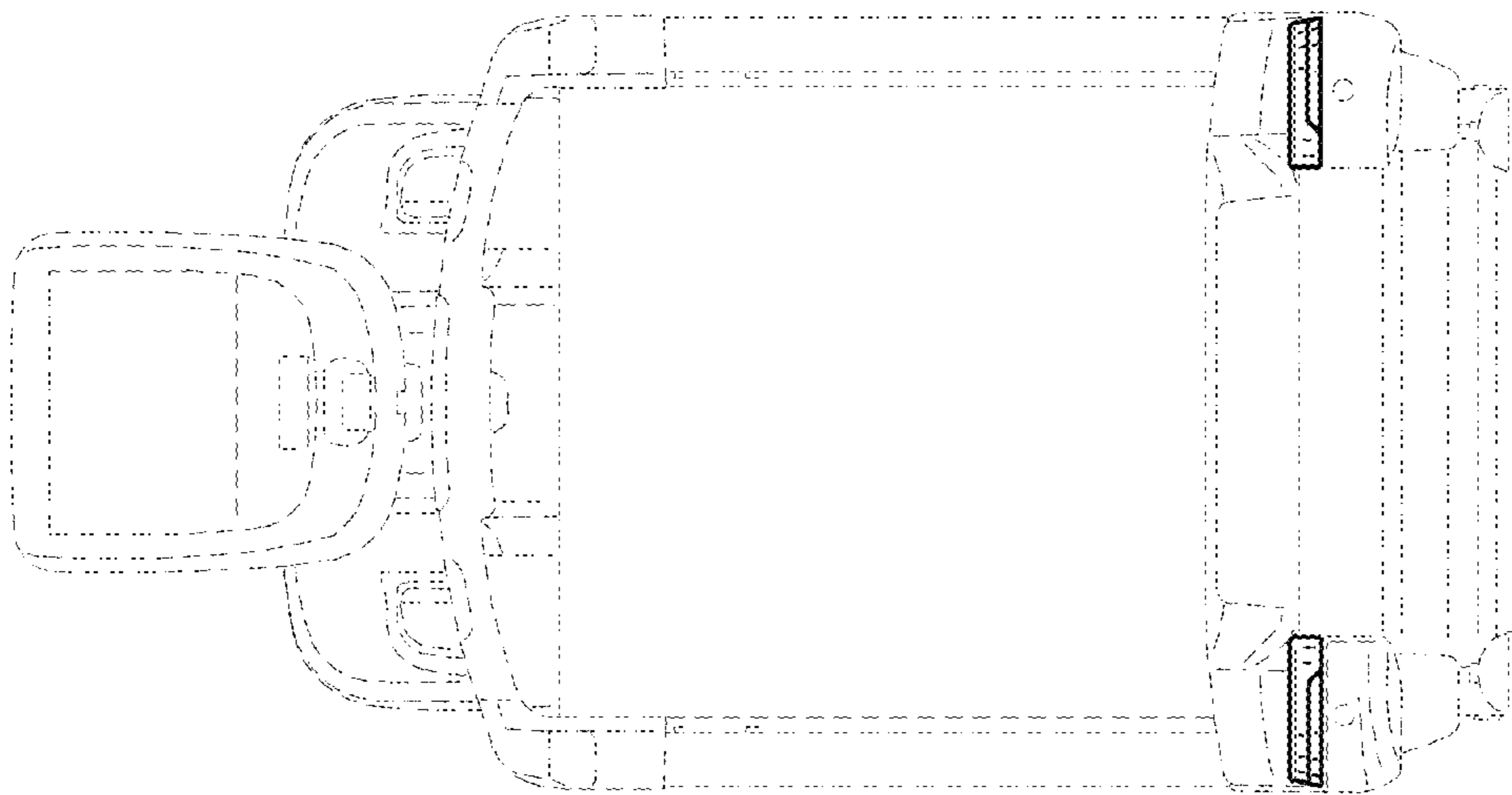


FIG. 4

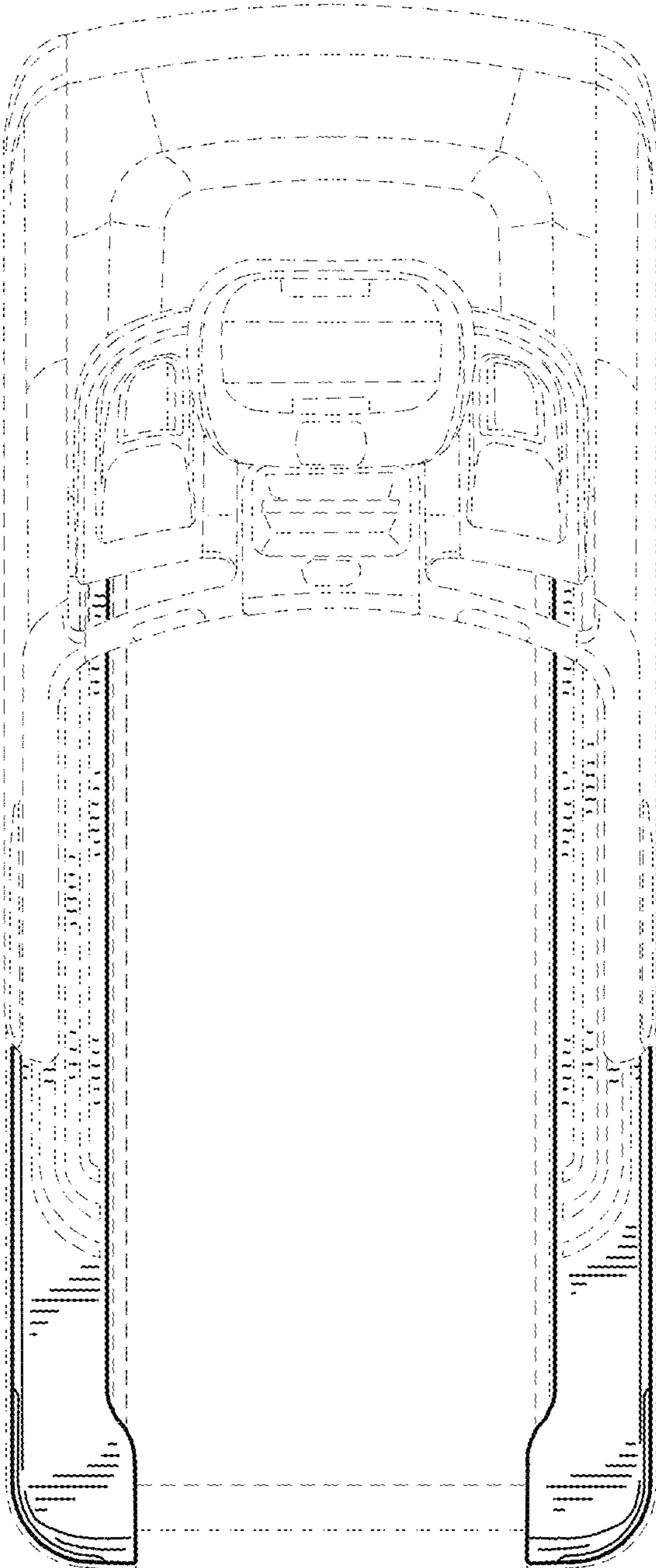


FIG. 6