



US00D726844S

(12) **United States Design Patent**
Mathew et al.

(10) **Patent No.:** **US D726,844 S**

(45) **Date of Patent:** **** Apr. 14, 2015**

(54) **ANKLE EXERCISER**

(71) Applicants: **Antony Mathew**, Fort Myers, FL (US);
Amy Rose Mathew, Fort Myers, FL
(US); **Antony George Mathew**, Fort
Myers, FL (US)

(72) Inventors: **Antony Mathew**, Fort Myers, FL (US);
Amy Rose Mathew, Fort Myers, FL
(US); **Antony George Mathew**, Fort
Myers, FL (US)

(**) Term: **14 Years**

(21) Appl. No.: **29/475,346**

(22) Filed: **Dec. 3, 2013**

(51) **LOC (10) Cl.** **21-02**

(52) **U.S. Cl.**
USPC **D21/685**

(58) **Field of Classification Search**
USPC 482/142, 53, 79, 132, 147, 908, 49,
482/123, 129, 128, 127, 138, 112, 80, 146,
482/130, 118, 34; 601/32, 105, 148, 152,
601/27, 29, 46; D21/688; 188/83; D24/188
See application file for complete search history.

(56) **References Cited**

U.S. PATENT DOCUMENTS

4,159,111	A *	6/1979	Lowth	482/80
4,501,421	A *	2/1985	Kane et al.	482/80
4,759,542	A *	7/1988	Hudec	482/34
5,074,000	A *	12/1991	Soltani et al.	5/611
5,413,543	A *	5/1995	Drago	482/49
5,755,651	A *	5/1998	Homyonfer et al.	482/146
5,851,166	A *	12/1998	Bernardson	482/79

5,897,464	A *	4/1999	McLeod	482/79
D420,407	S *	2/2000	Garcia et al.	D21/688
6,494,813	B2 *	12/2002	Chen	482/53
6,572,514	B1 *	6/2003	Calafato	482/79
6,830,539	B2 *	12/2004	Chuang	482/53
7,530,927	B2 *	5/2009	Chuang	482/53
D627,892	S *	11/2010	Terrio	D24/188
7,857,742	B2 *	12/2010	Wang	482/147
8,029,420	B1 *	10/2011	Thati	482/79
D712,044	S *	8/2014	Mathew et al.	D24/188
D712,055	S *	8/2014	Morris	D24/215
8,864,633	B1 *	10/2014	Butler et al.	482/79
2003/0036462	A1 *	2/2003	Ravikumar et al.	482/51
2004/0171971	A1 *	9/2004	Ravikumar et al.	601/32
2008/0026916	A1 *	1/2008	Chuang et al.	482/53
2008/0269026	A1 *	10/2008	Tsadok	482/79
2009/0082704	A1 *	3/2009	Nov	601/27
2012/0289381	A1 *	11/2012	Piaget et al.	482/53
2013/0316879	A1 *	11/2013	Prats	482/53

* cited by examiner

Primary Examiner — Robert M Spear

Assistant Examiner — Ryan Harvey

(74) *Attorney, Agent, or Firm* — Dave Alan Lingbeck

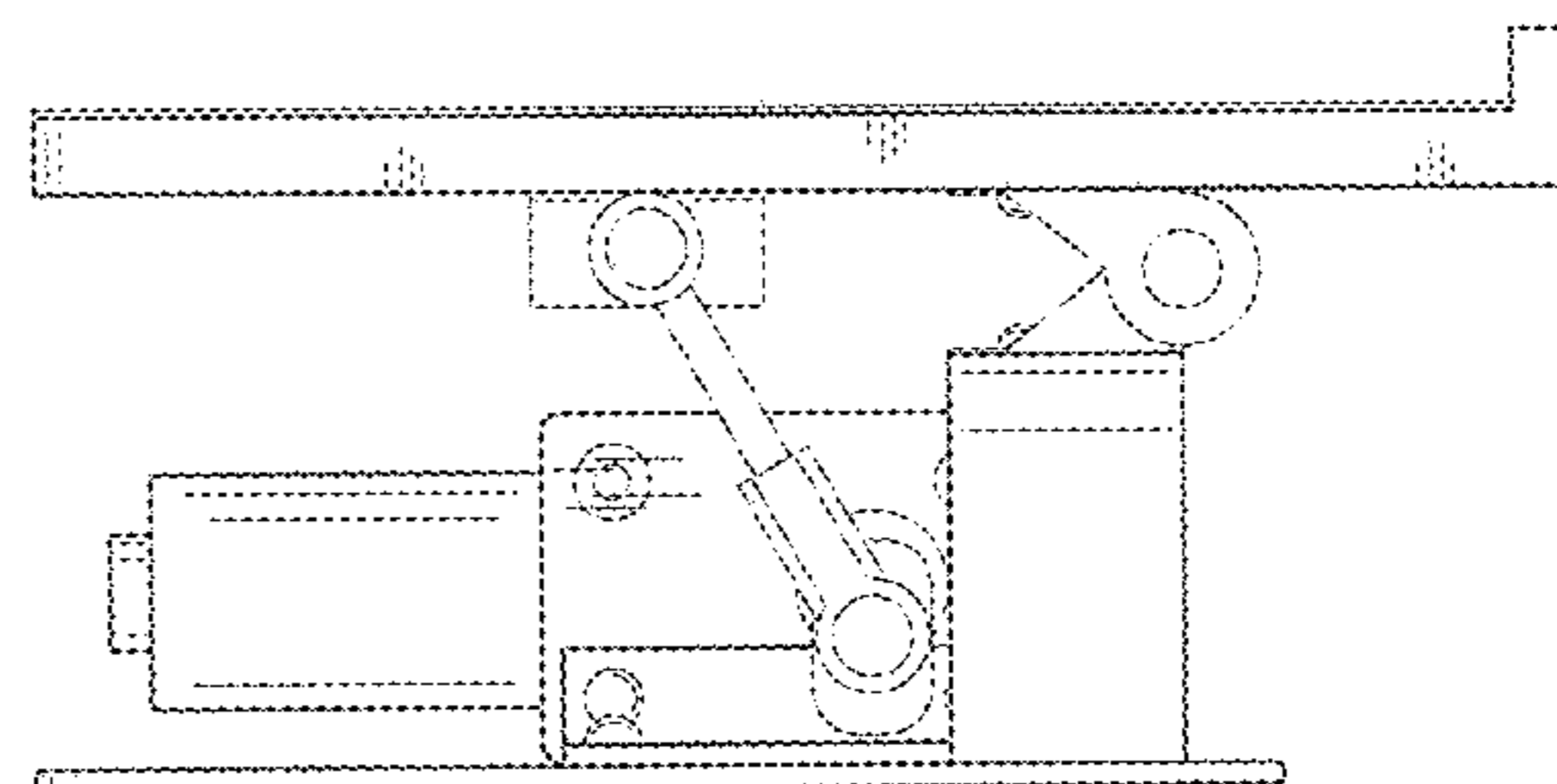
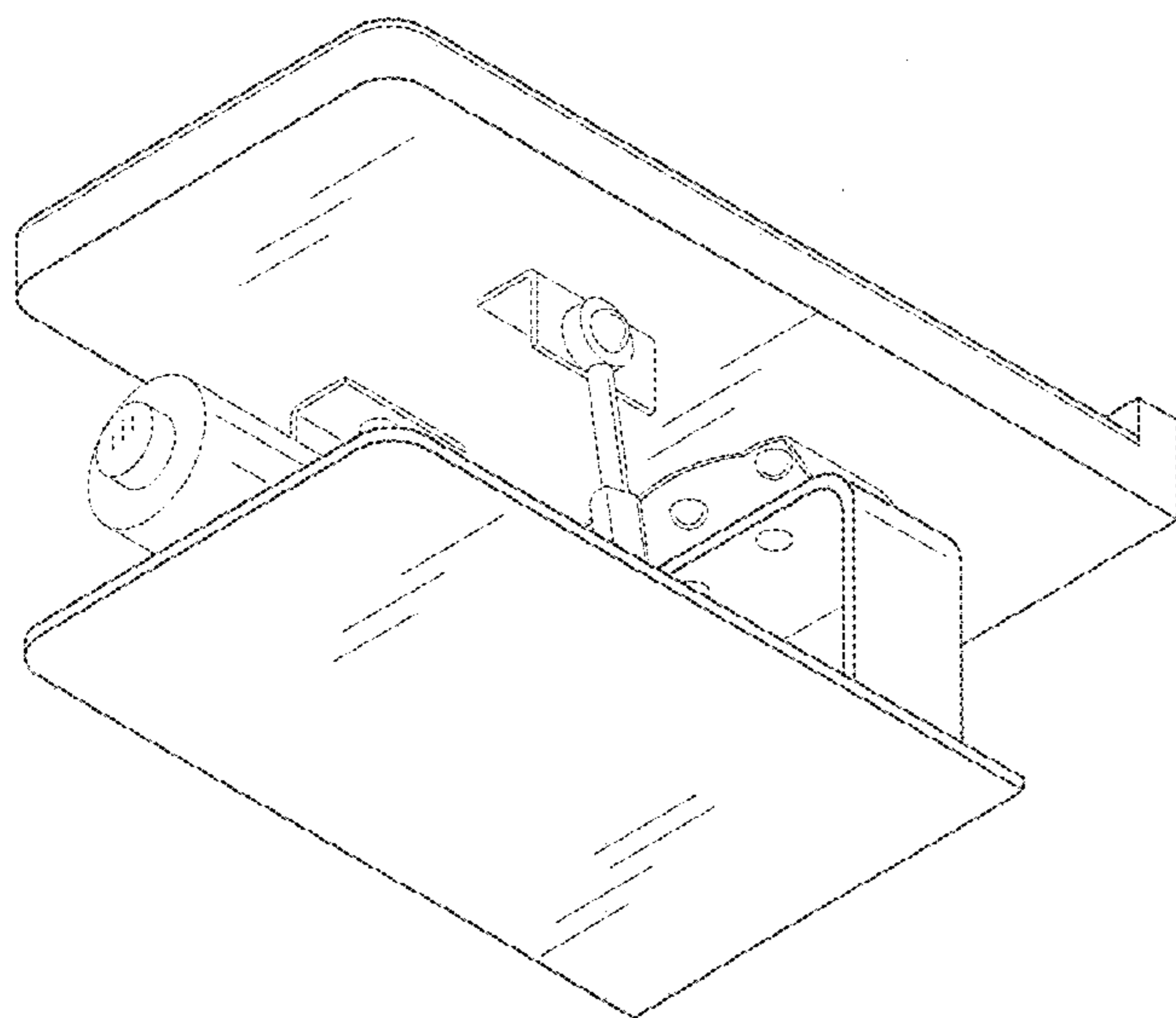
(57) **CLAIM**

The ornamental design for an ankle exerciser, as shown and described.

DESCRIPTION

FIG. 1 is a bottom perspective view of an ankle exerciser showing our new design;
FIG. 2 is a right side elevation view of the ankle exerciser;
FIG. 3 is a left side elevation view of the ankle exerciser;
FIG. 4 is a front elevation view of the ankle exerciser;
FIG. 5 is back elevation view of the ankle exerciser; and,
FIG. 6 is a top plan view of the ankle exerciser.

1 Claim, 4 Drawing Sheets



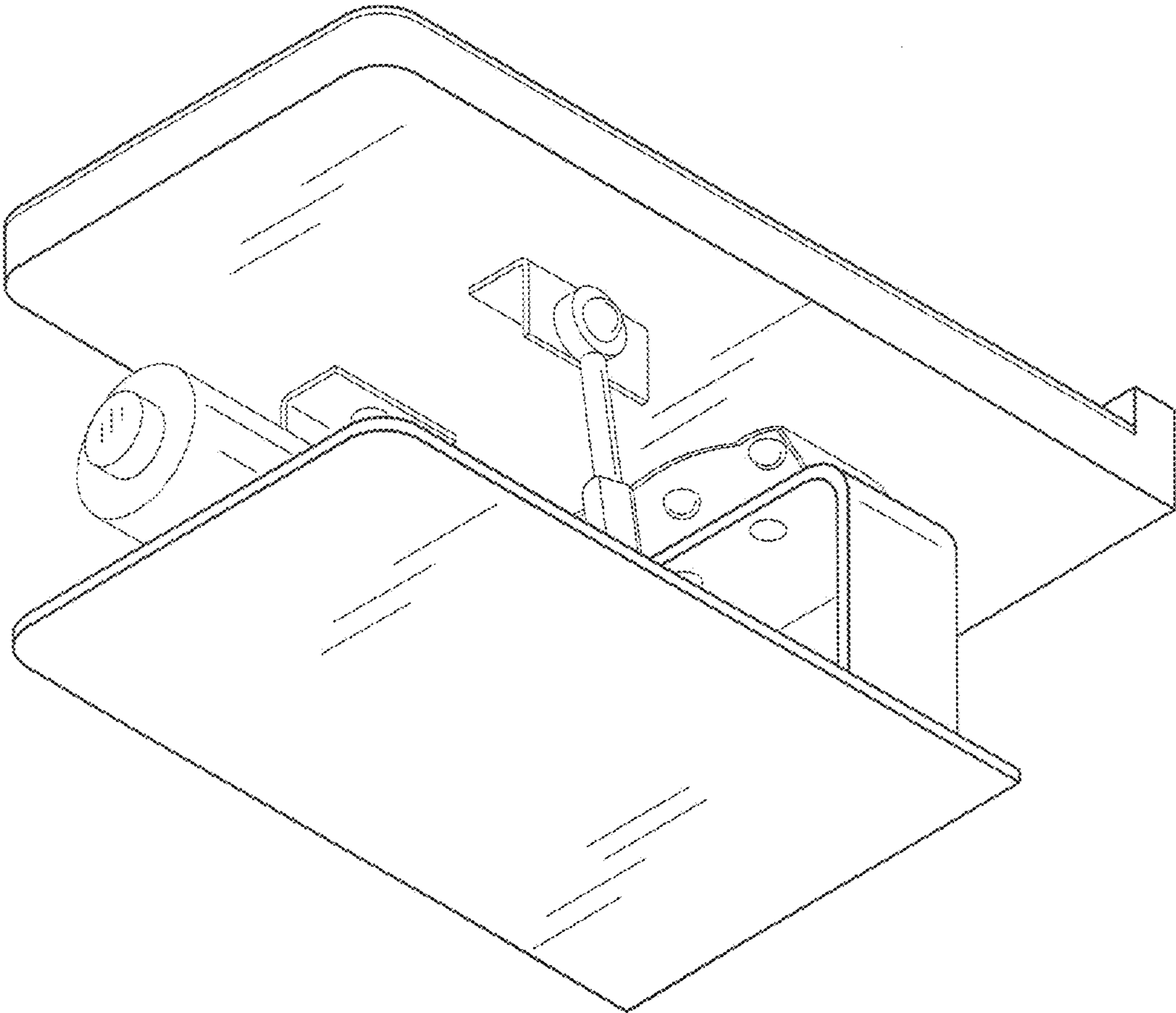


FIG. 1

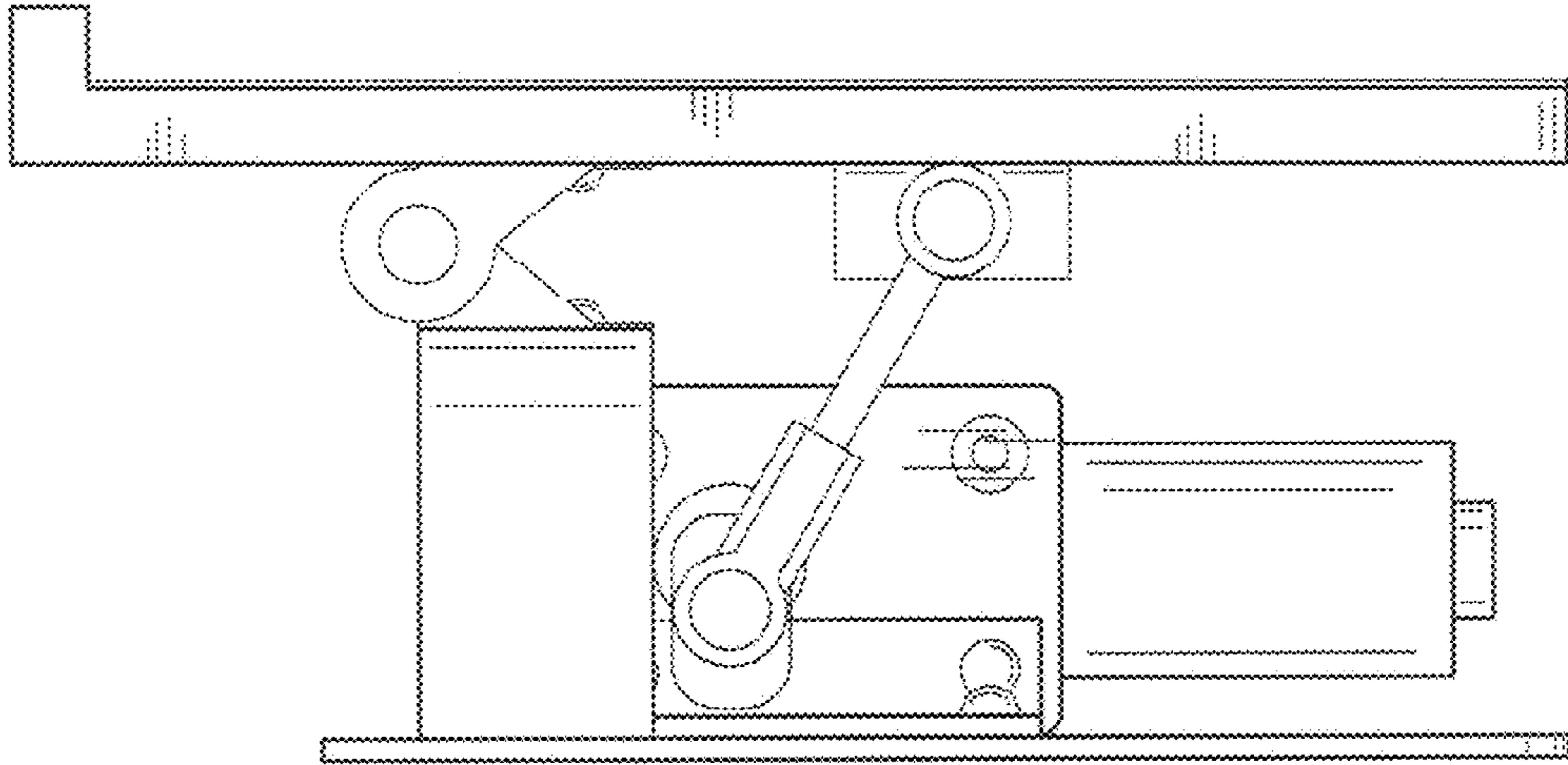


FIG. 2

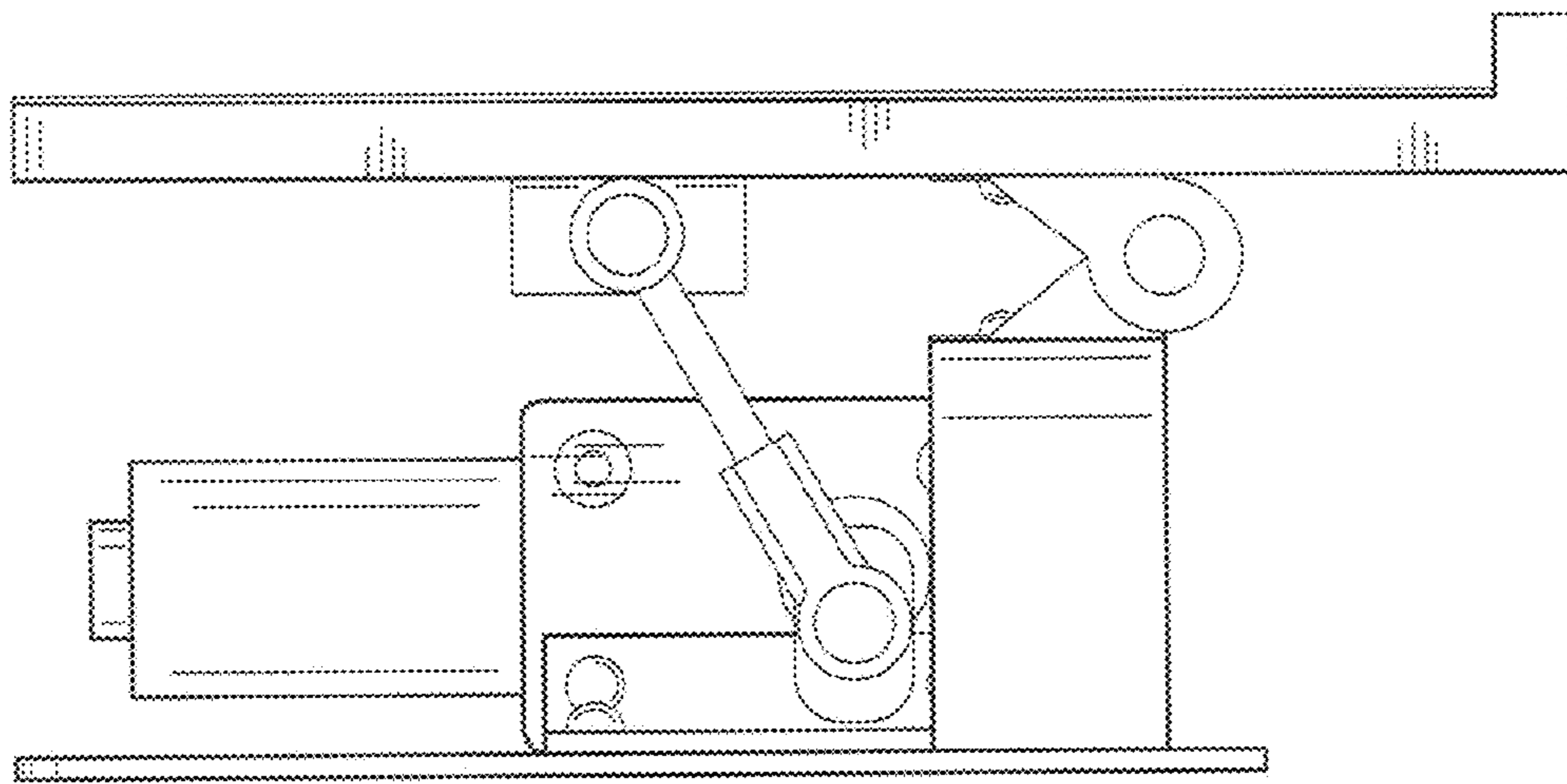


FIG. 3

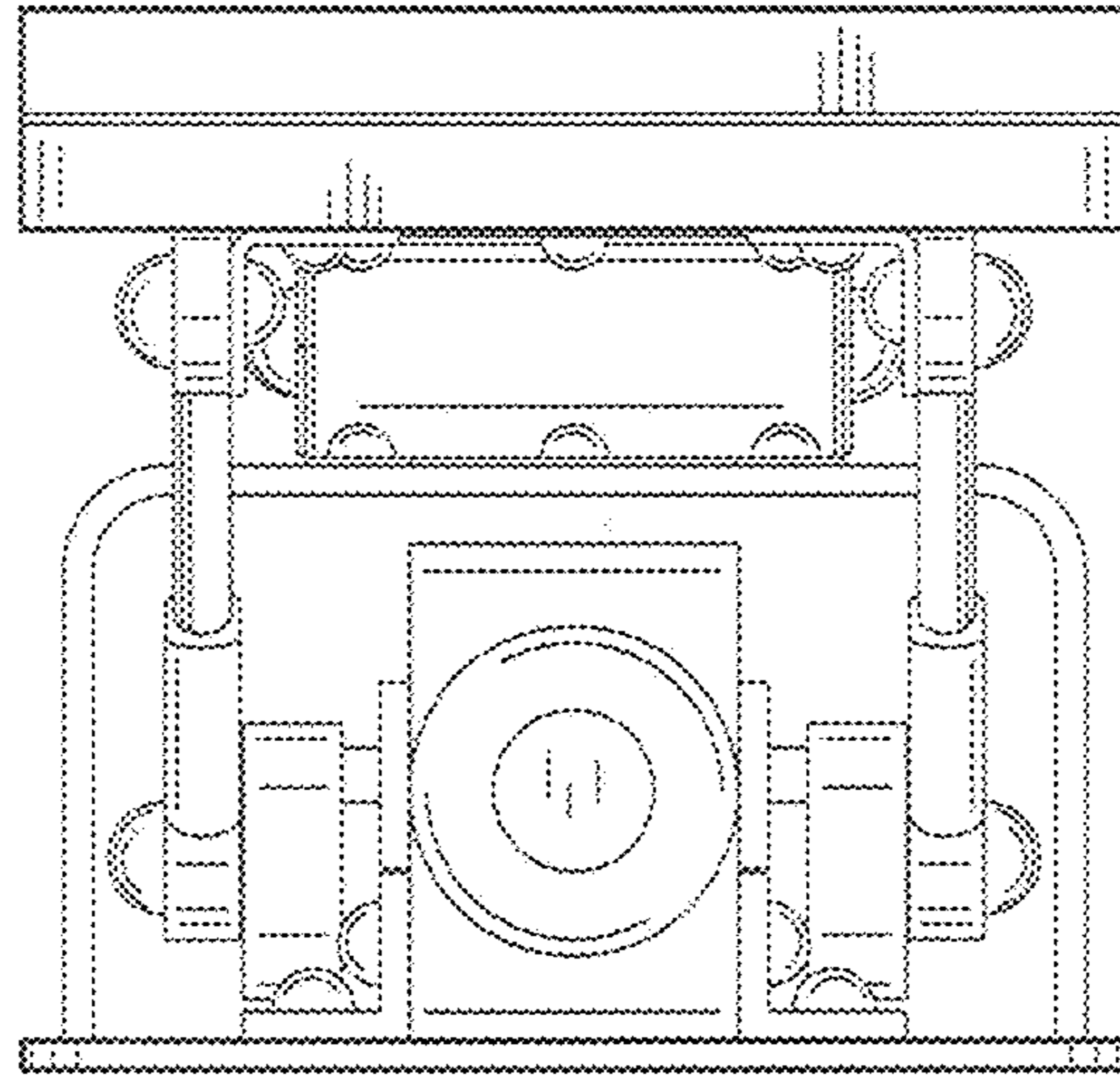


FIG. 4

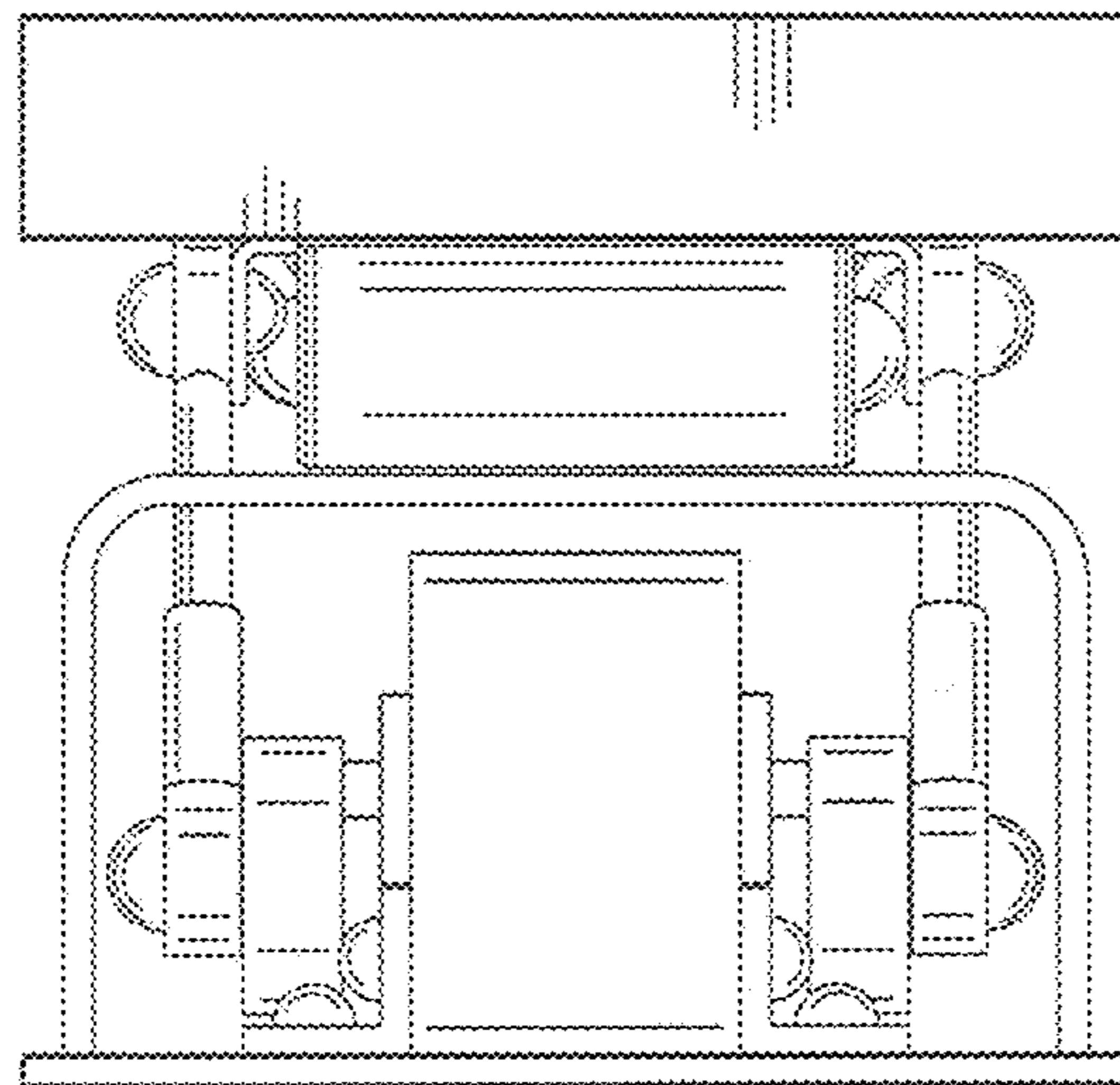


FIG. 5

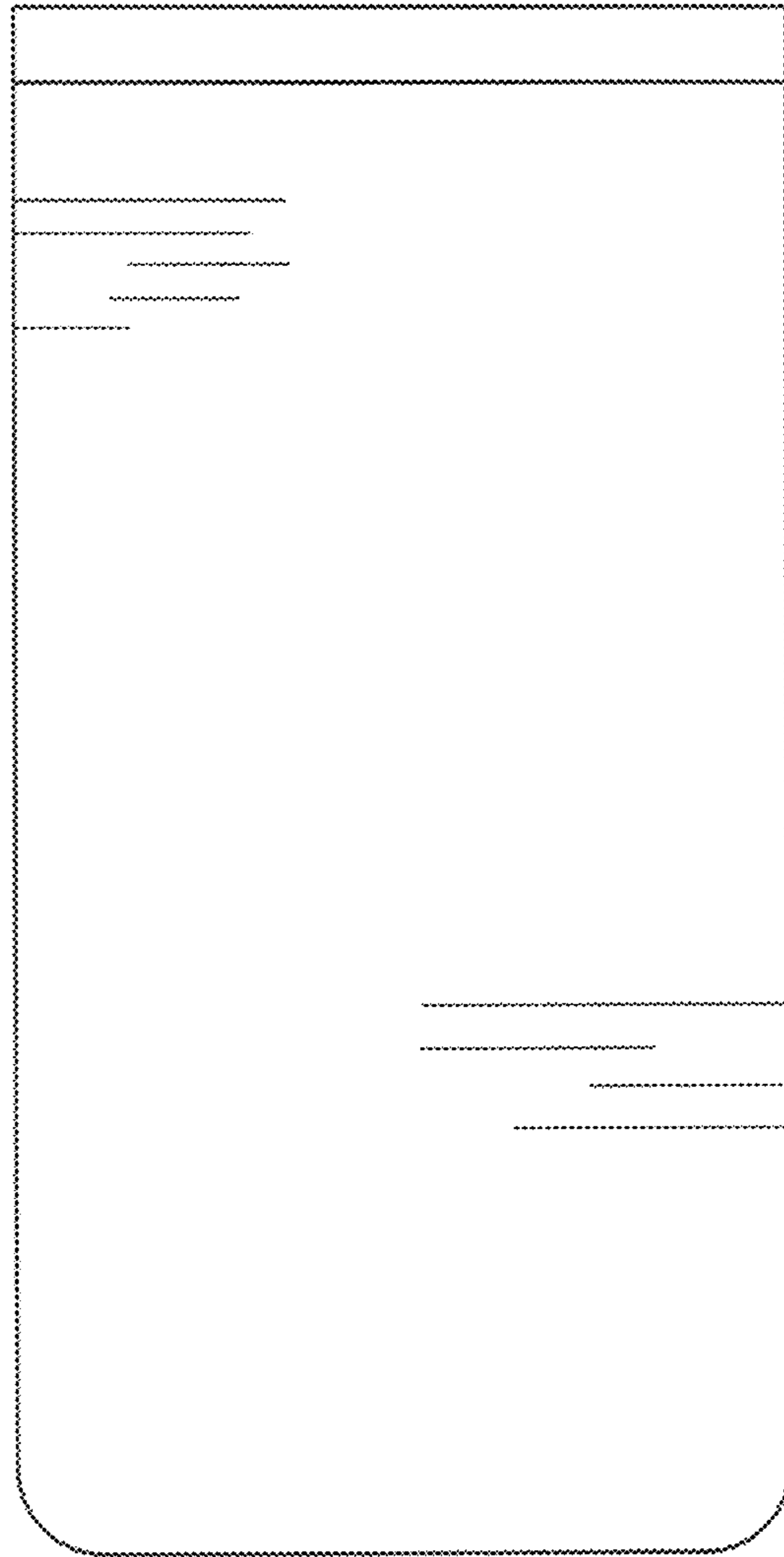


FIG. 6