



US00D726843S

(12) **United States Design Patent**
Barton

(10) **Patent No.:** **US D726,843 S**
(45) **Date of Patent:** **** Apr. 14, 2015**

(54) **KETTLEBELL**

(71) Applicant: **Logan J. Barton**, Tamuning, GU (US)

(72) Inventor: **Logan J. Barton**, Tamuning, GU (US)

(**) Term: **14 Years**

(21) Appl. No.: **29/464,557**

(22) Filed: **Oct. 18, 2013**

(51) **LOC (10) Cl.** **21-02**

(52) **U.S. Cl.**
USPC **D21/682**

(58) **Field of Classification Search**
USPC D21/680, 682, 681, 678, 662, 679, 684,
D21/686; 482/108, 93, 110, 111, 105, 8,
482/107, 106, 139, 94, 104, 140, 109, 51,
482/74, 98, 1; 164/112, 76.1; D9/680;
D8/85, 45, 107, 90, 317; D3/210, 211;
D22/112; D11/81; 42/94, 72; 99/349,
99/350, 351, 372, 374, 377, 379, 427, 448,
99/450; 100/104, 110, 193, 194, 195;
219/732, 733, 734; 426/513, 517, 646;
135/65; 280/819; D12/317, 316;
15/235.4, 244.1

See application file for complete search history.

(56) **References Cited**

U.S. PATENT DOCUMENTS

D242,865 S * 12/1976 Stamm D21/682
D481,771 S * 11/2003 Anderson D21/682
D522,594 S * 6/2006 Donahue et al. D21/682
D522,595 S * 6/2006 Donahue et al. D21/682
7,381,157 B2 * 6/2008 Blateri 482/50
D616,718 S * 6/2010 van der Lande D8/85
D616,949 S * 6/2010 Wang D21/682
D628,248 S * 11/2010 Januszek D21/681
D628,251 S * 11/2010 Krull et al. D21/682

D653,716 S * 2/2012 Lin D21/682
D654,971 S * 2/2012 Januszek D21/682
D656,206 S * 3/2012 Lutz et al. D21/682
D660,177 S * 5/2012 Ferenc D9/680
D683,235 S * 5/2013 Albert D9/680
D683,803 S * 6/2013 Childs D21/681
D685,866 S * 7/2013 Kinsbourne D21/682
D692,509 S * 10/2013 Kessler D21/682
D715,177 S * 10/2014 Vaughan et al. D11/81
2010/0048362 A1 * 2/2010 Liford et al. 482/93
2010/0210427 A1 * 8/2010 Yu 482/93
2010/0248910 A1 * 9/2010 DiLuglio 482/93
2010/0255960 A1 * 10/2010 Kessler 482/93
2010/0331151 A1 * 12/2010 Signorile et al. 482/93
2011/0306475 A1 * 12/2011 Caswell et al. 482/93
2012/0252641 A1 * 10/2012 Odneal et al. 482/108
2012/0322631 A1 * 12/2012 Januszek 482/108
2013/0012367 A1 * 1/2013 Williams 482/108
2013/0210589 A1 * 8/2013 Thompson et al. 482/108
2013/0337980 A1 * 12/2013 Himmelrick et al. 482/108

* cited by examiner

Primary Examiner — Robert M Spear

Assistant Examiner — Ryan Harvey

(74) *Attorney, Agent, or Firm* — Standley Law Group, LLP

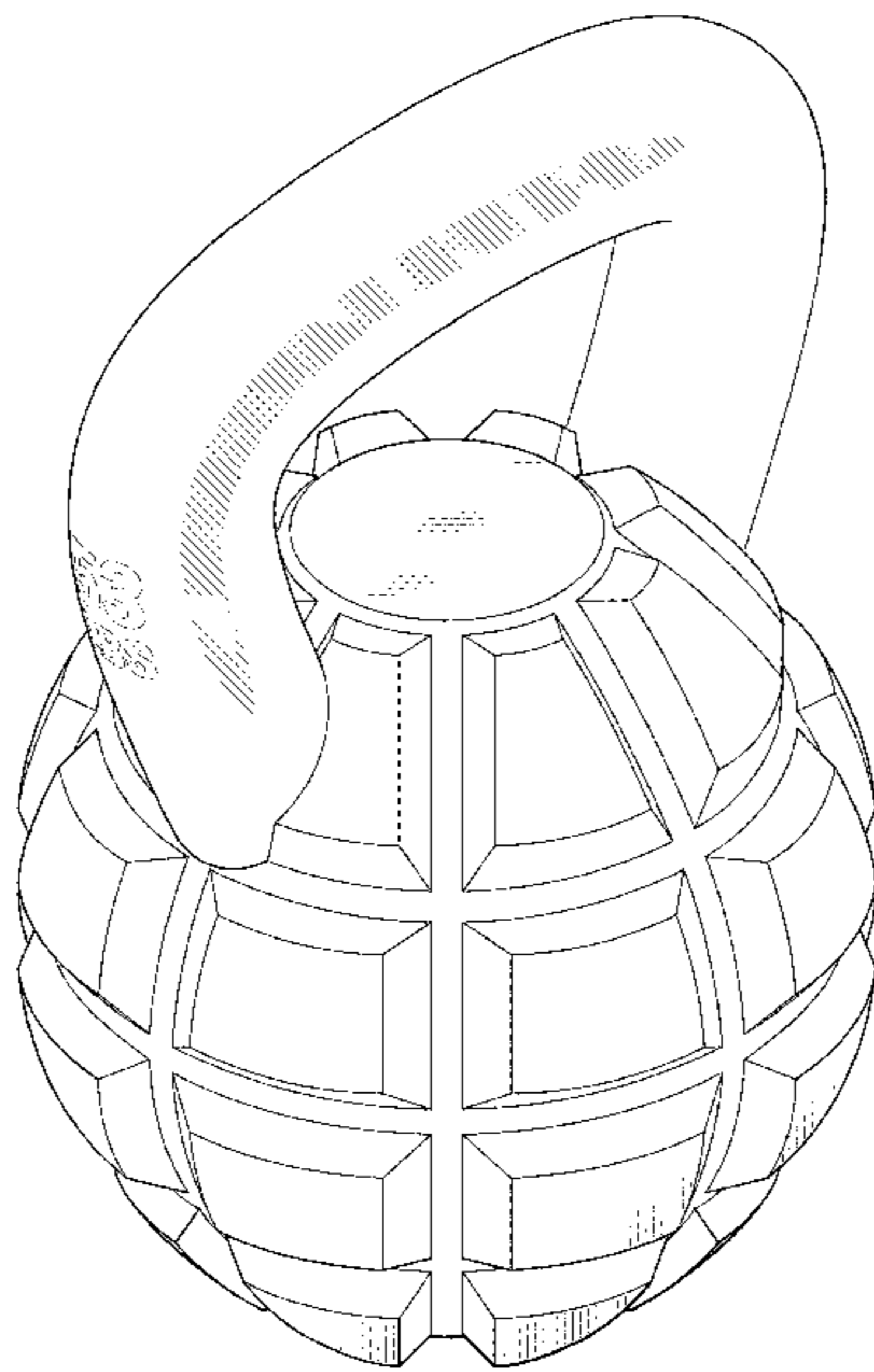
(57) **CLAIM**

The ornamental design for a kettlebell, as shown and described.

DESCRIPTION

FIG. 1 is a front elevation view of the kettlebell;
FIG. 2 is a rear elevation view of the FIG. 1 kettlebell,
FIG. 3 is a left side elevation view of the FIG. 1 kettlebell;
FIG. 4 is a right side elevation view of the FIG. 1 kettlebell;
FIG. 5 is a top plan view of the FIG. 1 kettlebell;
FIG. 6 is a bottom plan view of the FIG. 1 kettlebell; and,
FIG. 7 is a front perspective view of the FIG. 1 kettlebell.
In the drawings, the broken lines depict indicia that form no part of the claim.

1 Claim, 4 Drawing Sheets



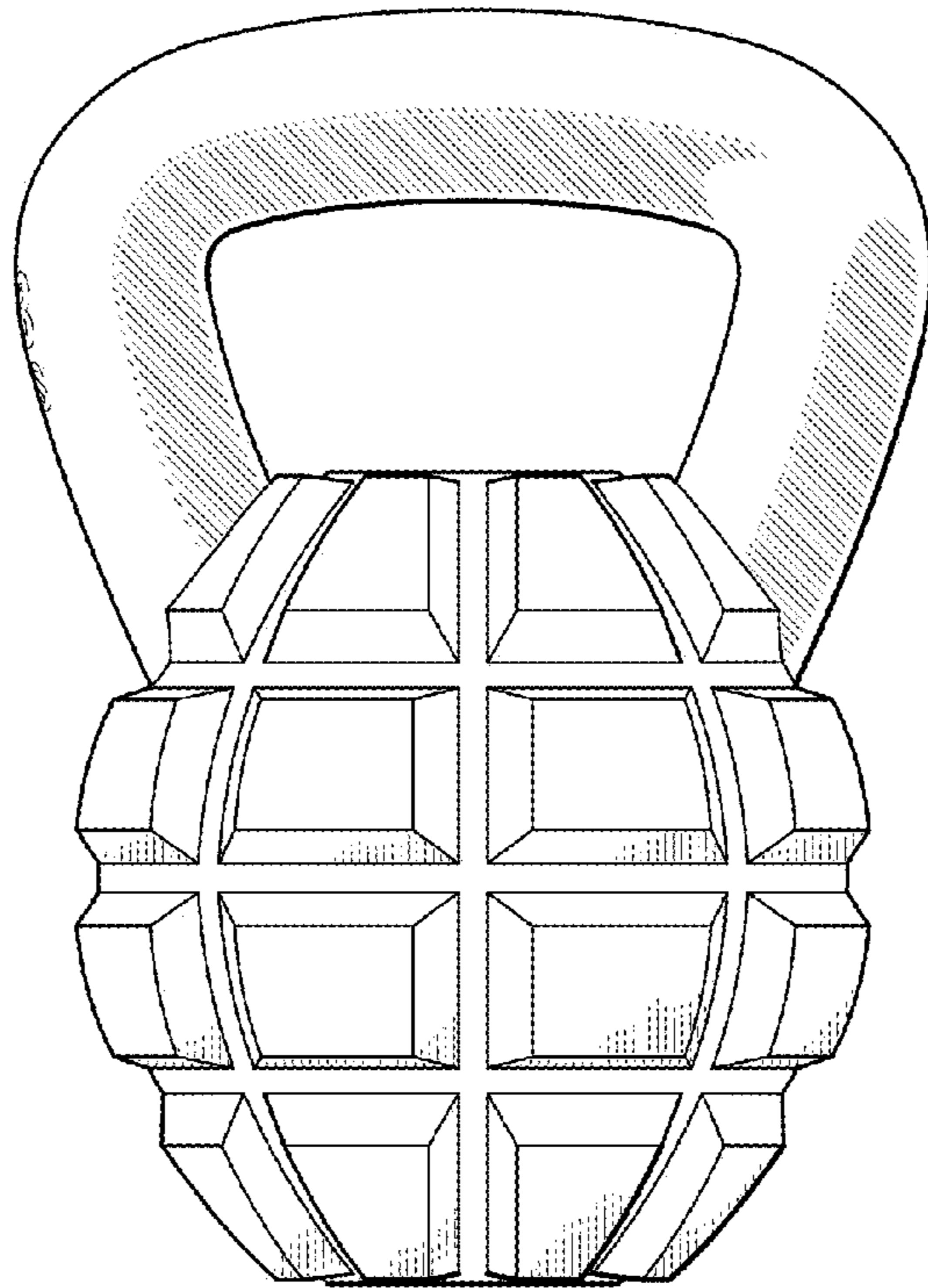


FIG. 1

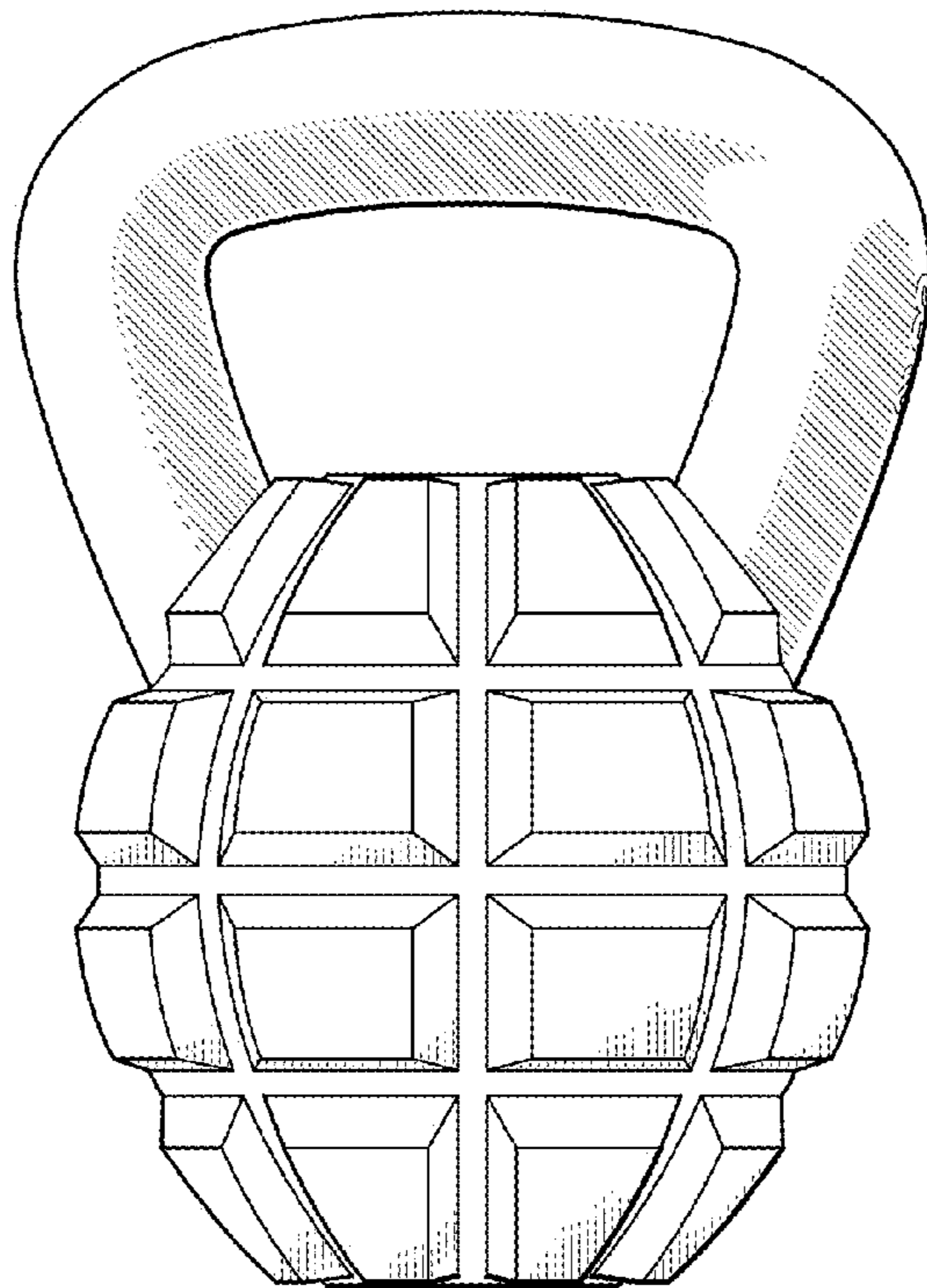


FIG. 2

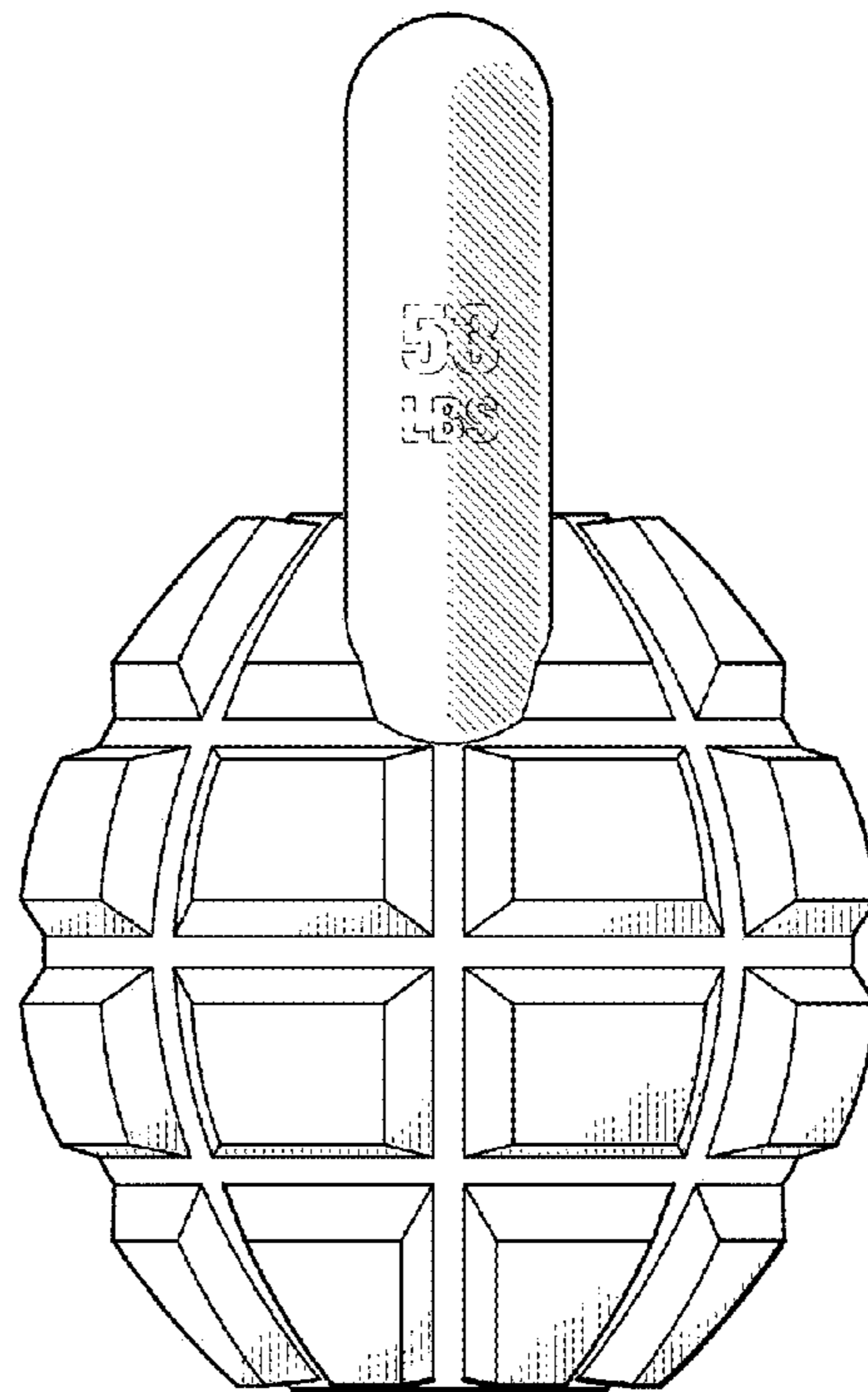


FIG. 3

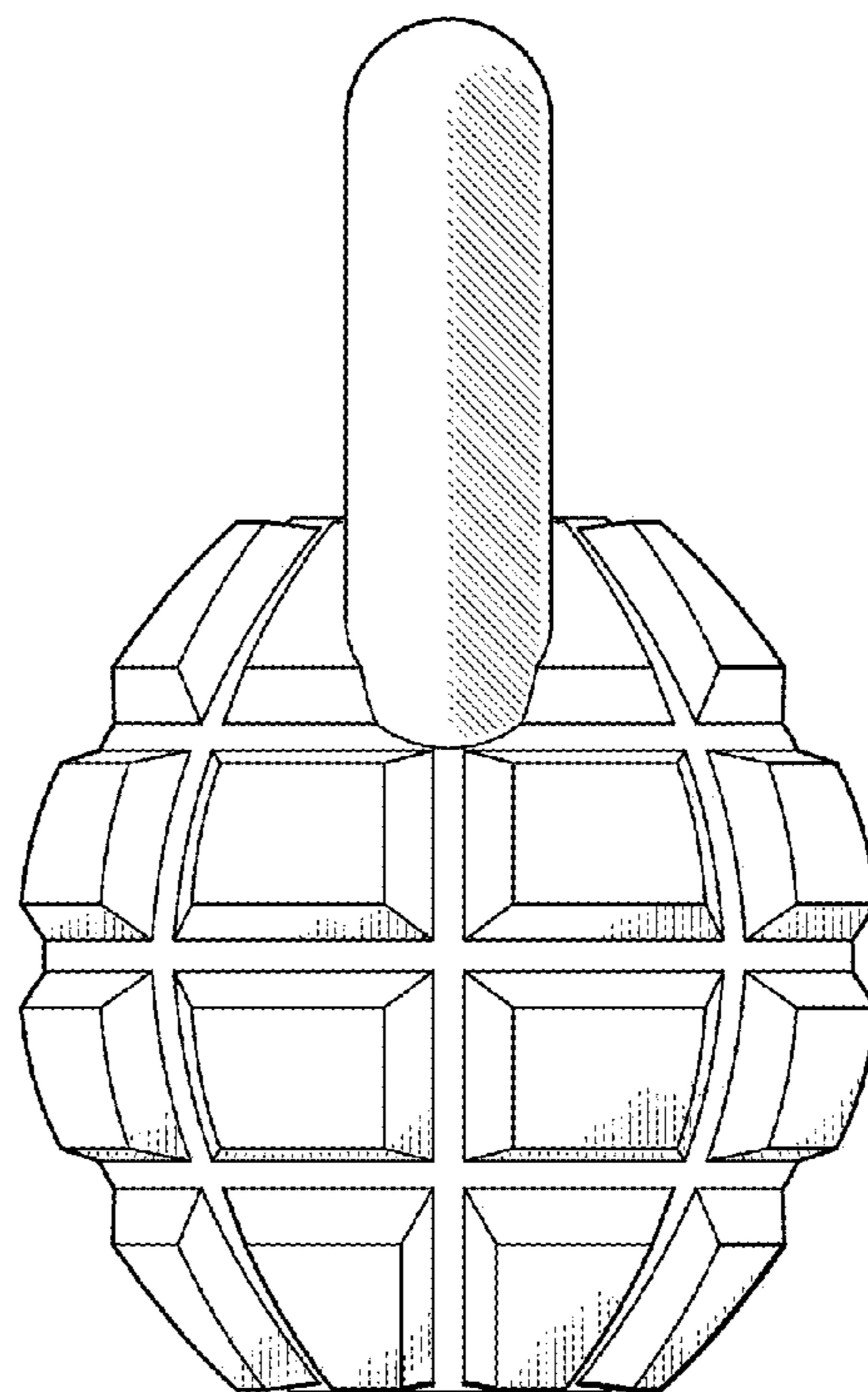


FIG. 4

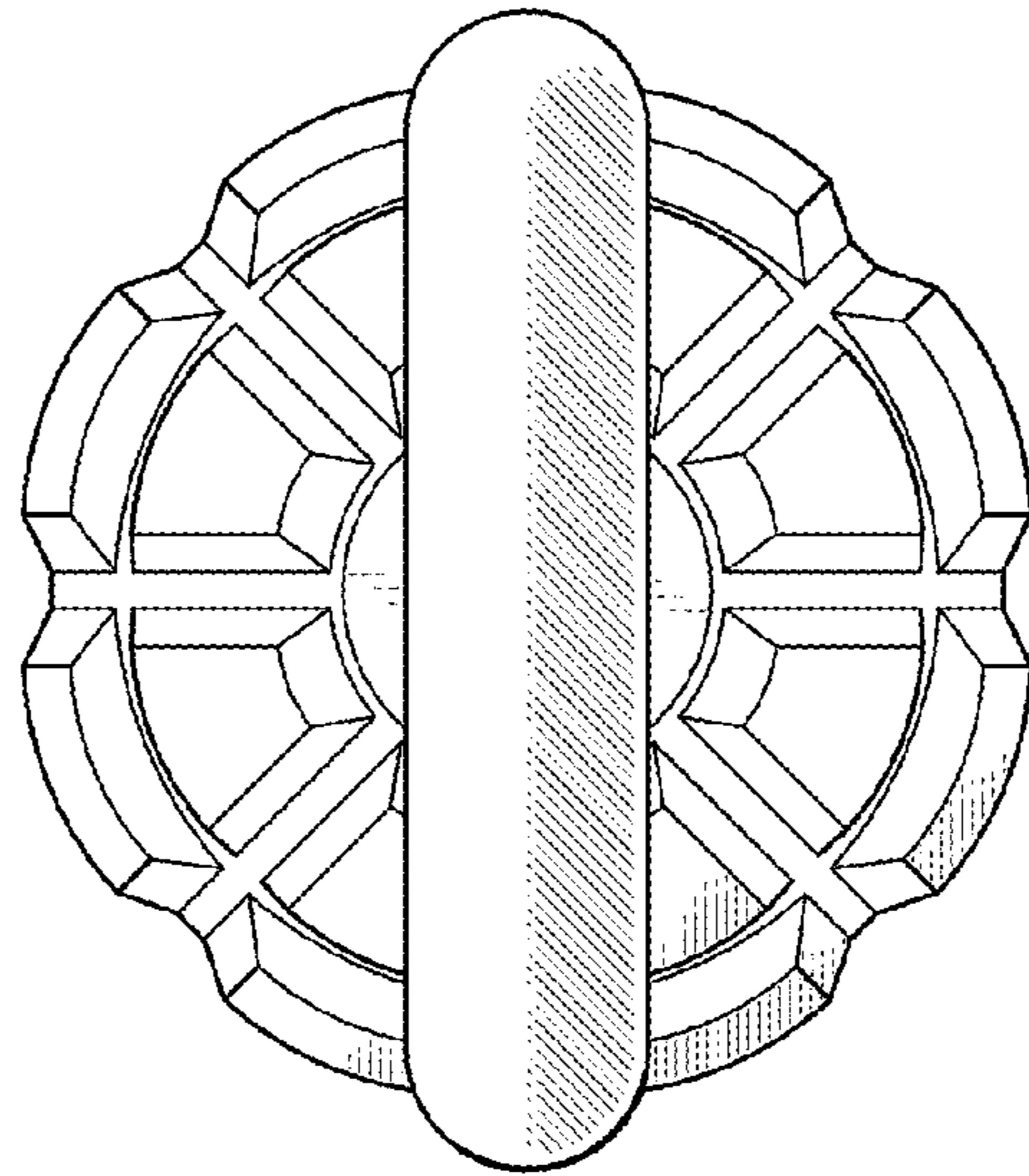


FIG. 5

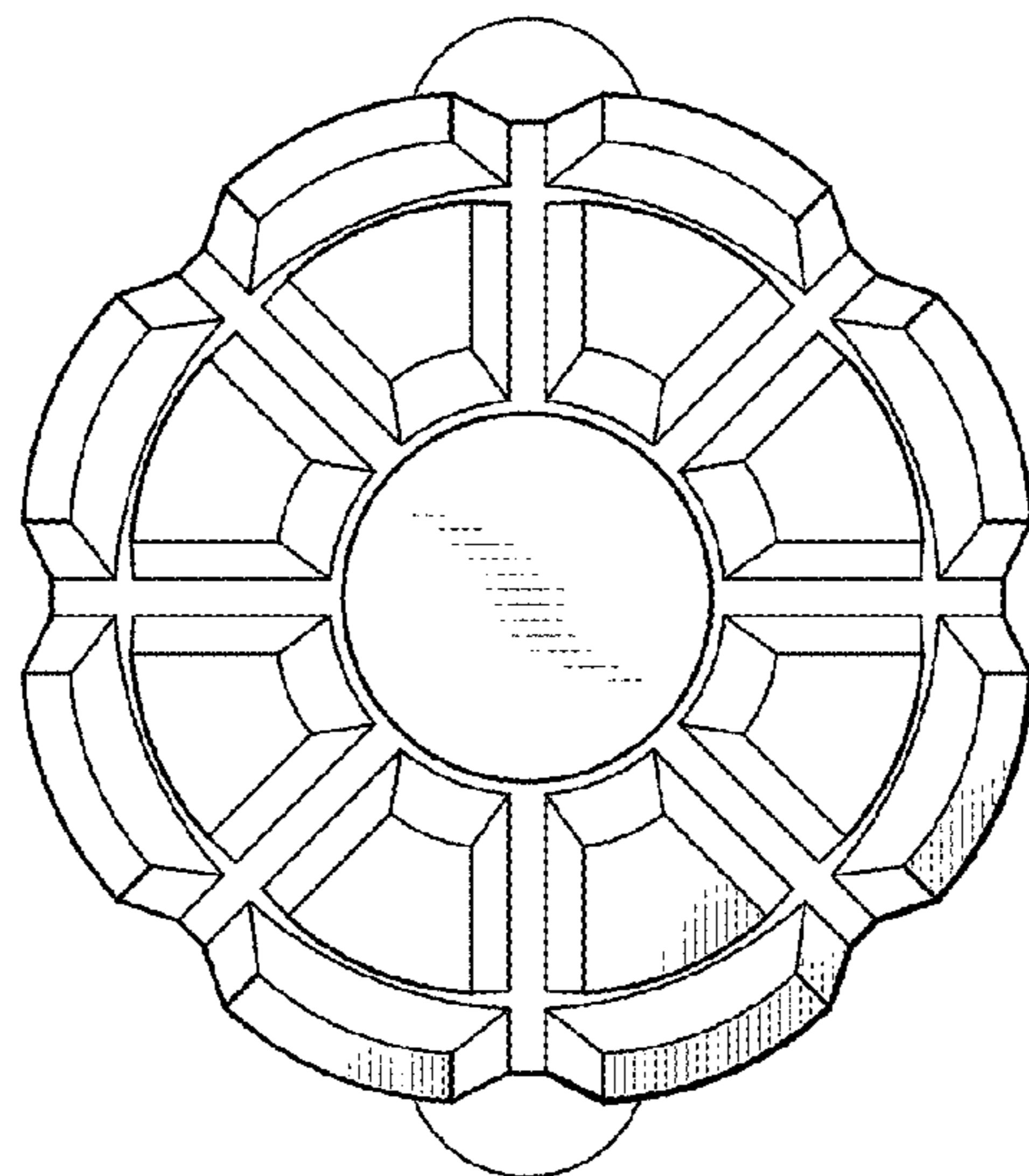


FIG. 6

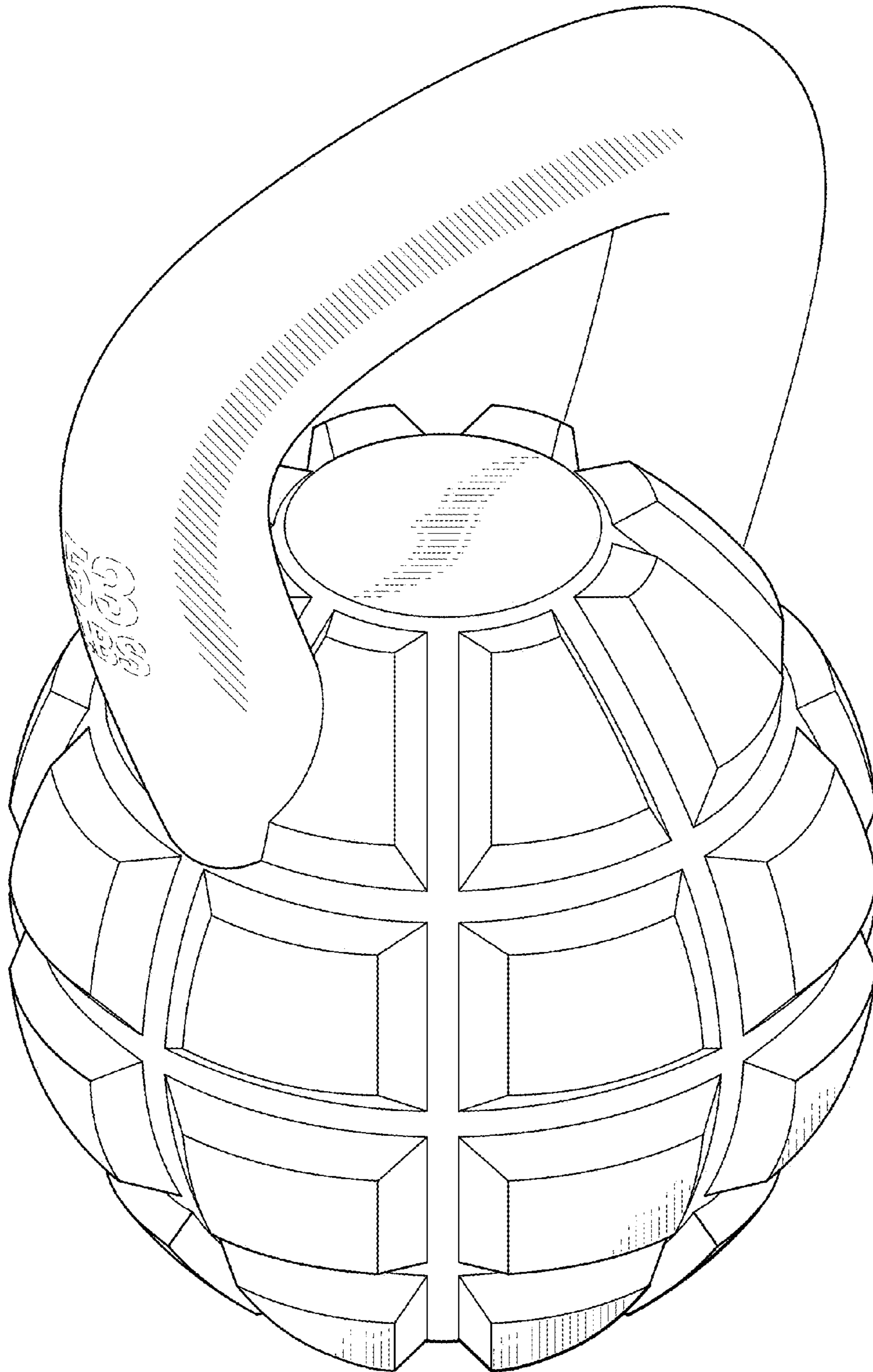


FIG. 7