



US00D726842S

(12) **United States Design Patent**
Ross

(10) **Patent No.:** **US D726,842 S**
(45) **Date of Patent:** **** Apr. 14, 2015**

(54) **SAND KETTLEBELL**

(71) Applicant: **Exemplar Design, LLC**, Mason, OH (US)

(72) Inventor: **Adam L. Ross**, Mason, OH (US)

(73) Assignee: **Exemplar Design, LLC**, Mason, OH (US)

(**) Term: **14 Years**

(21) Appl. No.: **29/468,222**

(22) Filed: **Sep. 27, 2013**

(51) **LOC (10) Cl.** **21-02**

(52) **U.S. Cl.**
USPC **D21/680**

(58) **Field of Classification Search**
CPC A63B 21/072; A63B 21/075; A63B 21/0728; A63B 21/00065
USPC D21/680, 681; 482/93, 104, 105, 106, 482/107, 108; D34/28; D8/499; 405/18
See application file for complete search history.

(56) **References Cited**

U.S. PATENT DOCUMENTS

D262,690	S	*	1/1982	Berry et al.	D8/499
D532,574	S	*	11/2006	Clark et al.	D34/28
7,811,212	B2	*	10/2010	Chen	482/107
D651,671	S	*	1/2012	Ross et al.	D21/680
D683,803	S	*	6/2013	Childs	D21/681
D692,509	S	*	10/2013	Kessler	D21/682
2010/0248910	A1	*	9/2010	DiLuglio	482/93
2011/0306475	A1	*	12/2011	Caswell et al.	482/93
2012/0231936	A1	*	9/2012	Krull	482/93
2013/0337980	A1	*	12/2013	Himmelrick et al.	482/108

OTHER PUBLICATIONS

Core Fitness Kettlebells & Sandbells advertisement by Mansion Athletics—<http://www.mansionathletics.com/soft-kettlebell-12-lbs->

1369607-fitness-weightlifting-weightlifting-dumbbells.html . . . —date retrieved Oct. 30, 2013.
Bodyfit 8-pound Soft Kettle Bell advertised by Sportsauthority.com—http://www.sportsauthority.com/product/index.jsp?productId=13144580&srccode=cii_17588969&cpncode=33-192375574-2—date retrieved Oct. 30, 2013.
Cap Barbell 20 lb Soft Kettlebell, Black advertised by Walmart—<http://www.walmart.com/ip/CAP-Barbell-20-lb-Soft-Kettlebell-Black/21015241>—date retrieved Oct. 30, 2013.
Adjustable Soft Kettle Bell advertised by Chenguang Sporting Goods—http://chenguangsporting.en.ec21.com/Adjustable_Soft_Kettle_Bell--5280464_5283717.html—date retrieved Oct. 30, 2013.

* cited by examiner

Primary Examiner — George D Kirschbaum
Assistant Examiner — Jennifer Watkins
(74) *Attorney, Agent, or Firm* — Baker & Hostetler LLP

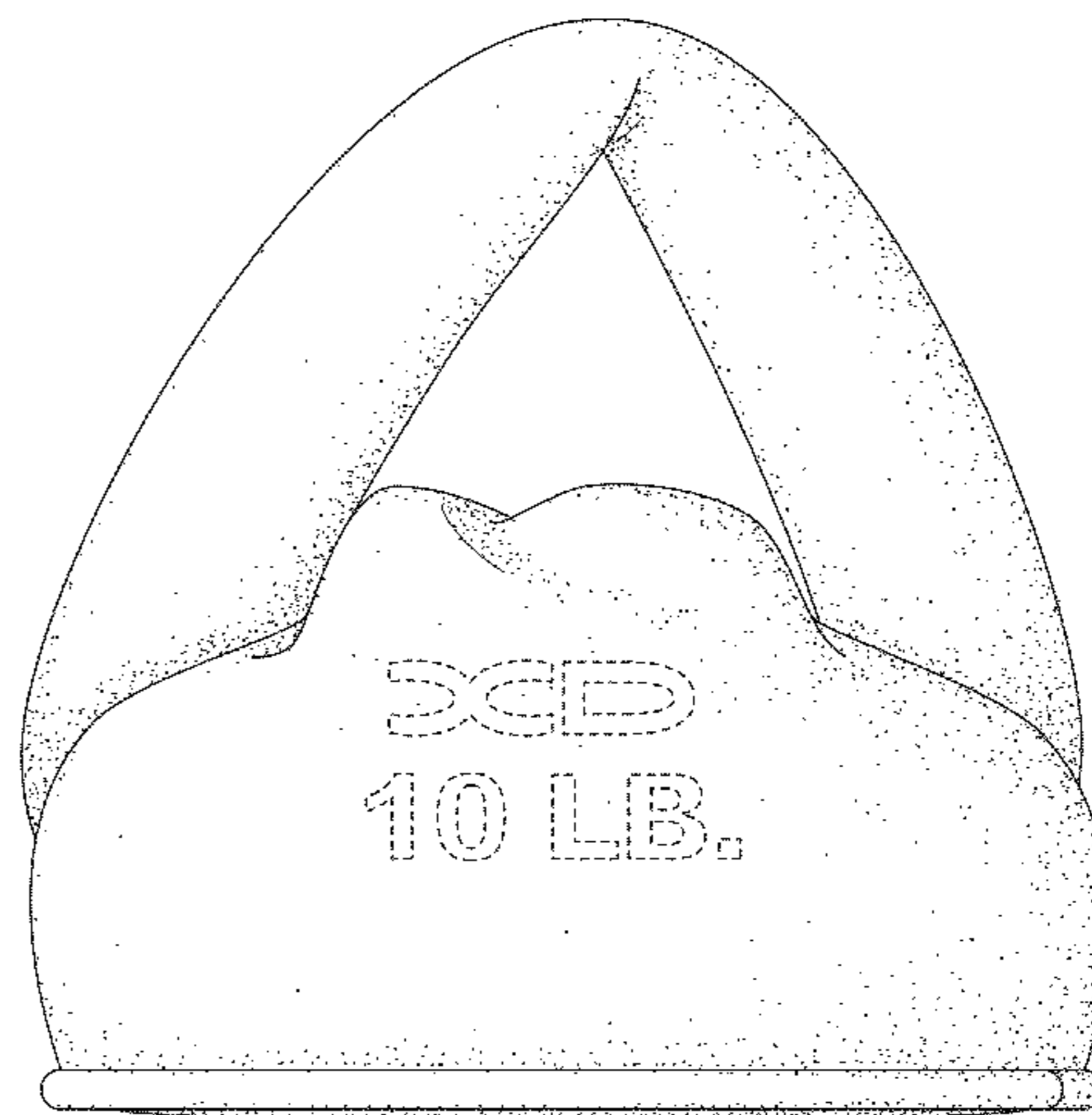
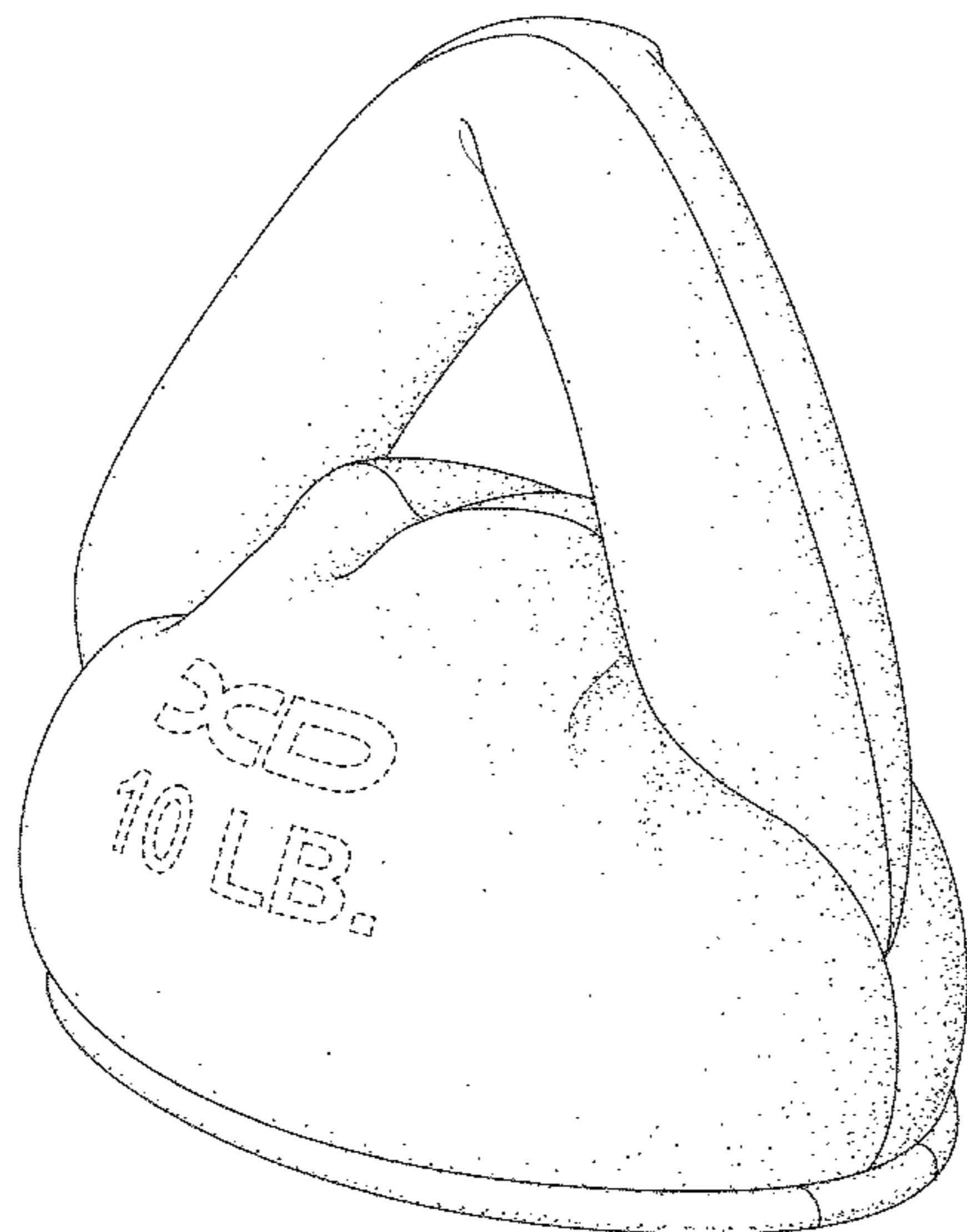
(57) **CLAIM**

I claim the ornamental design for a sand kettlebell, as shown and described herein.

DESCRIPTION

FIG. 1 is a perspective view of a sand kettlebell showing our new design;
FIG. 2 is a front view thereof;
FIG. 3 is a back view thereof;
FIG. 4 is a first side view thereof;
FIG. 5 is another side view thereof, opposing the first side view;
FIG. 6 is a top view thereof; and,
FIG. 7 is a bottom view thereof.
The broken lines shown in the drawings illustrate environment and form no part of the claimed design.

1 Claim, 7 Drawing Sheets



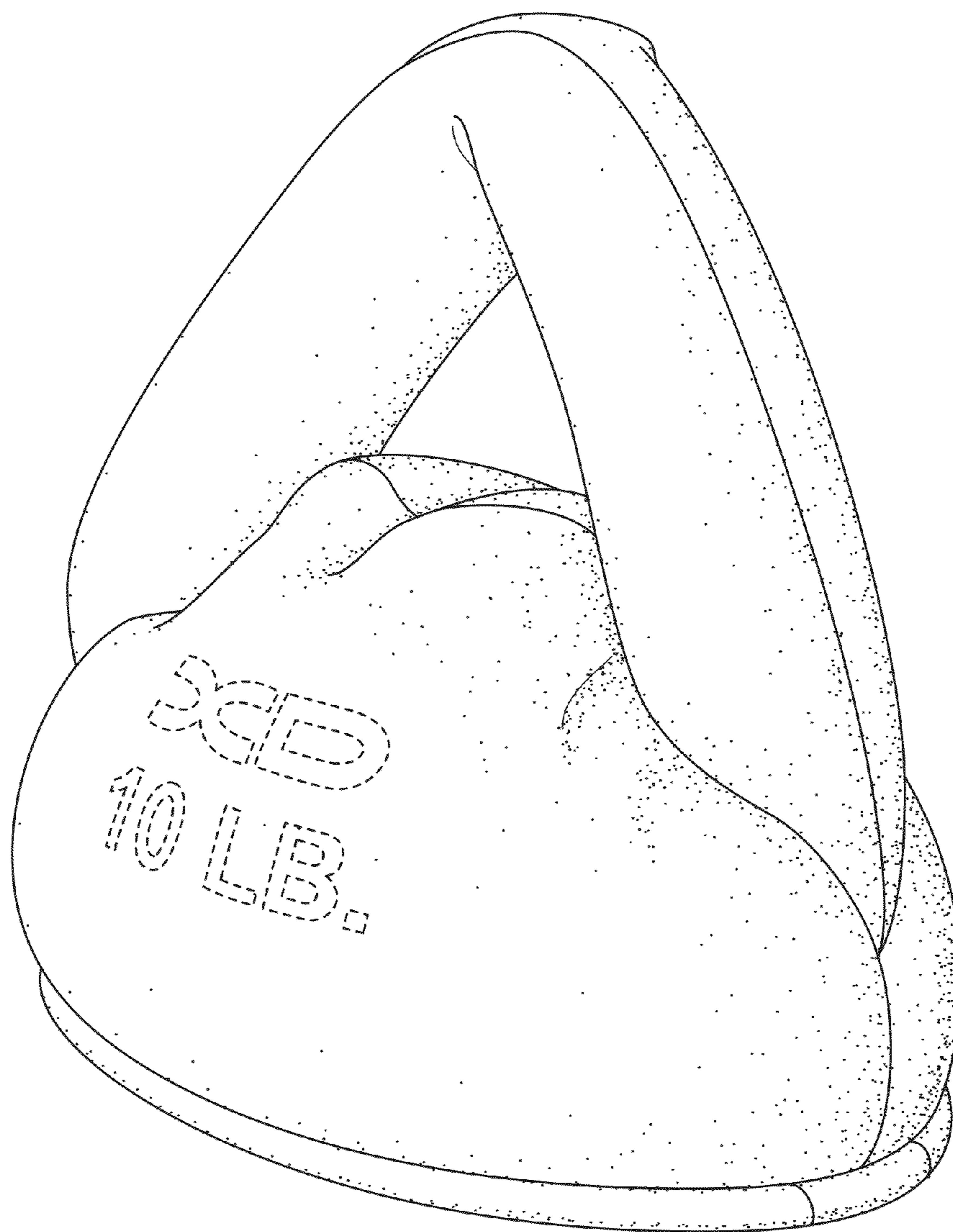


FIG. 1

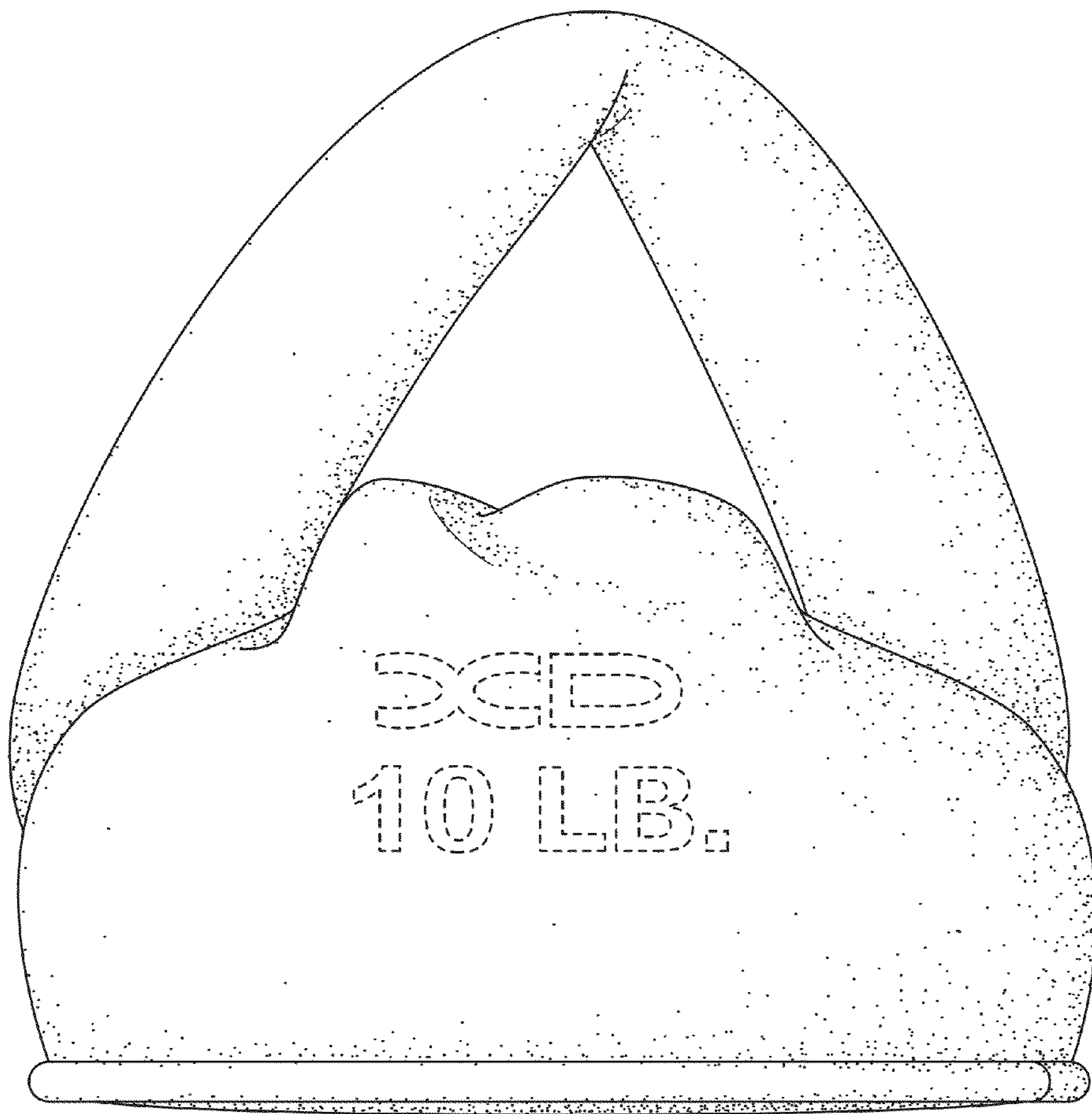


FIG. 2

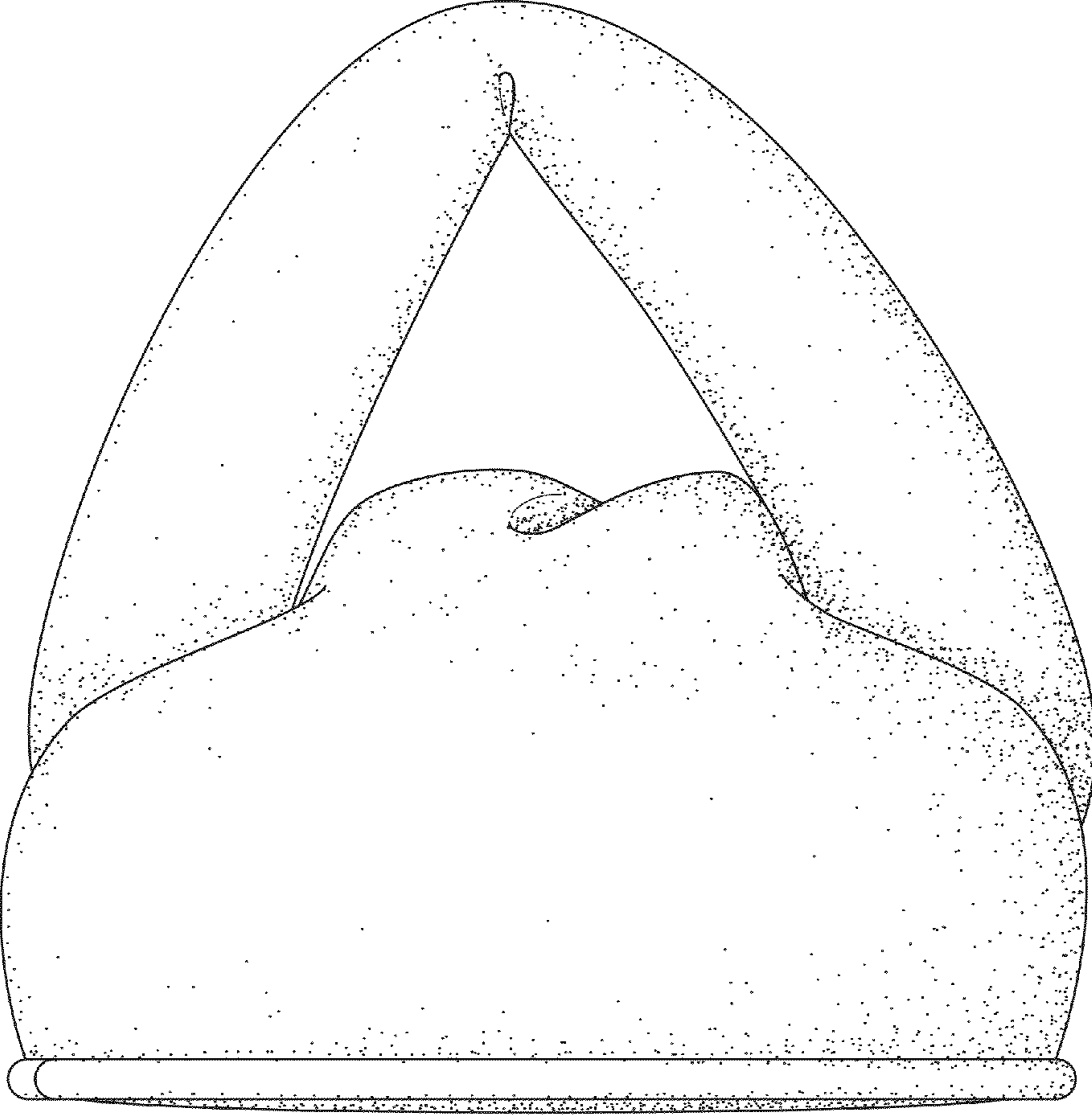


FIG. 3

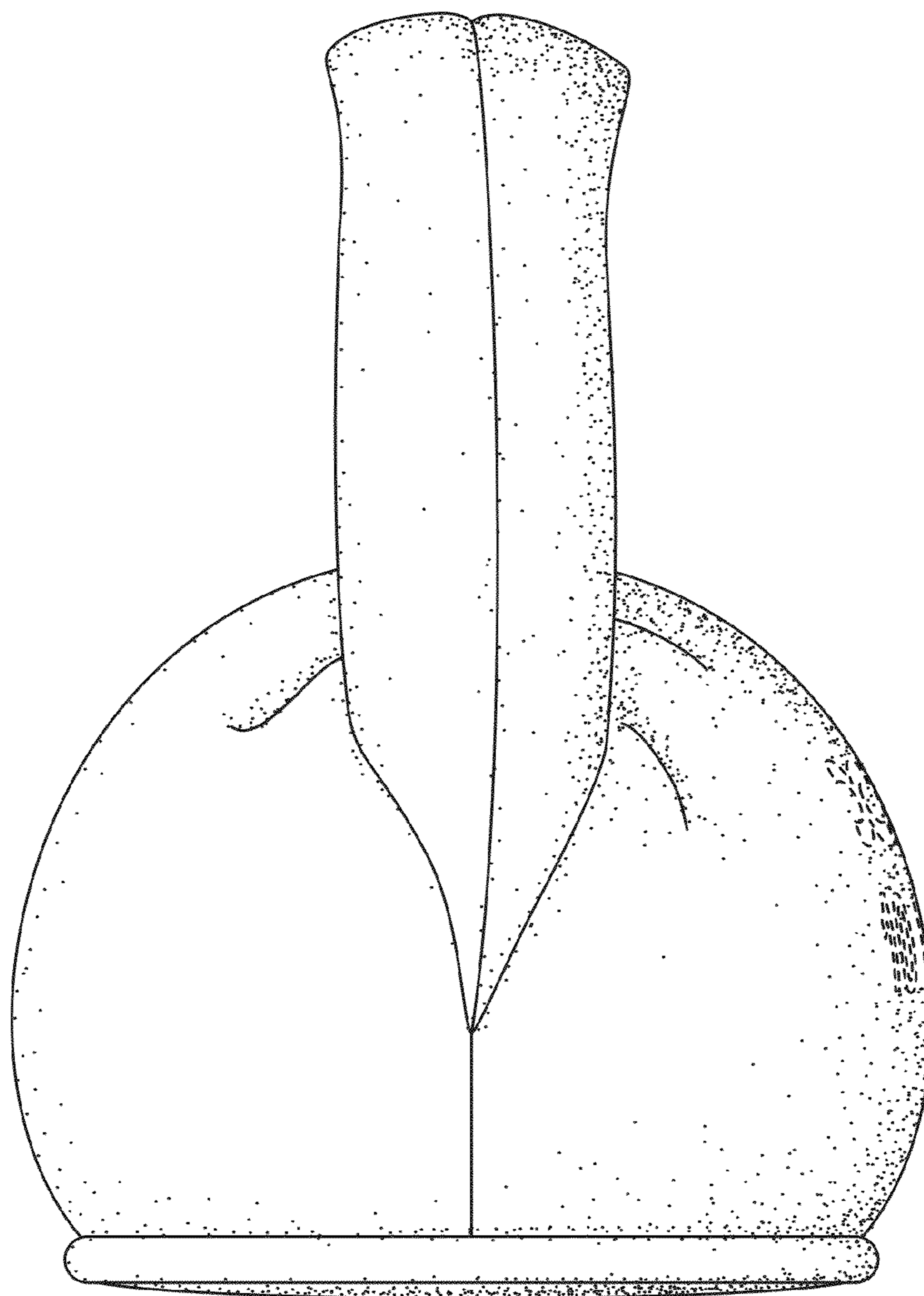


FIG. 4

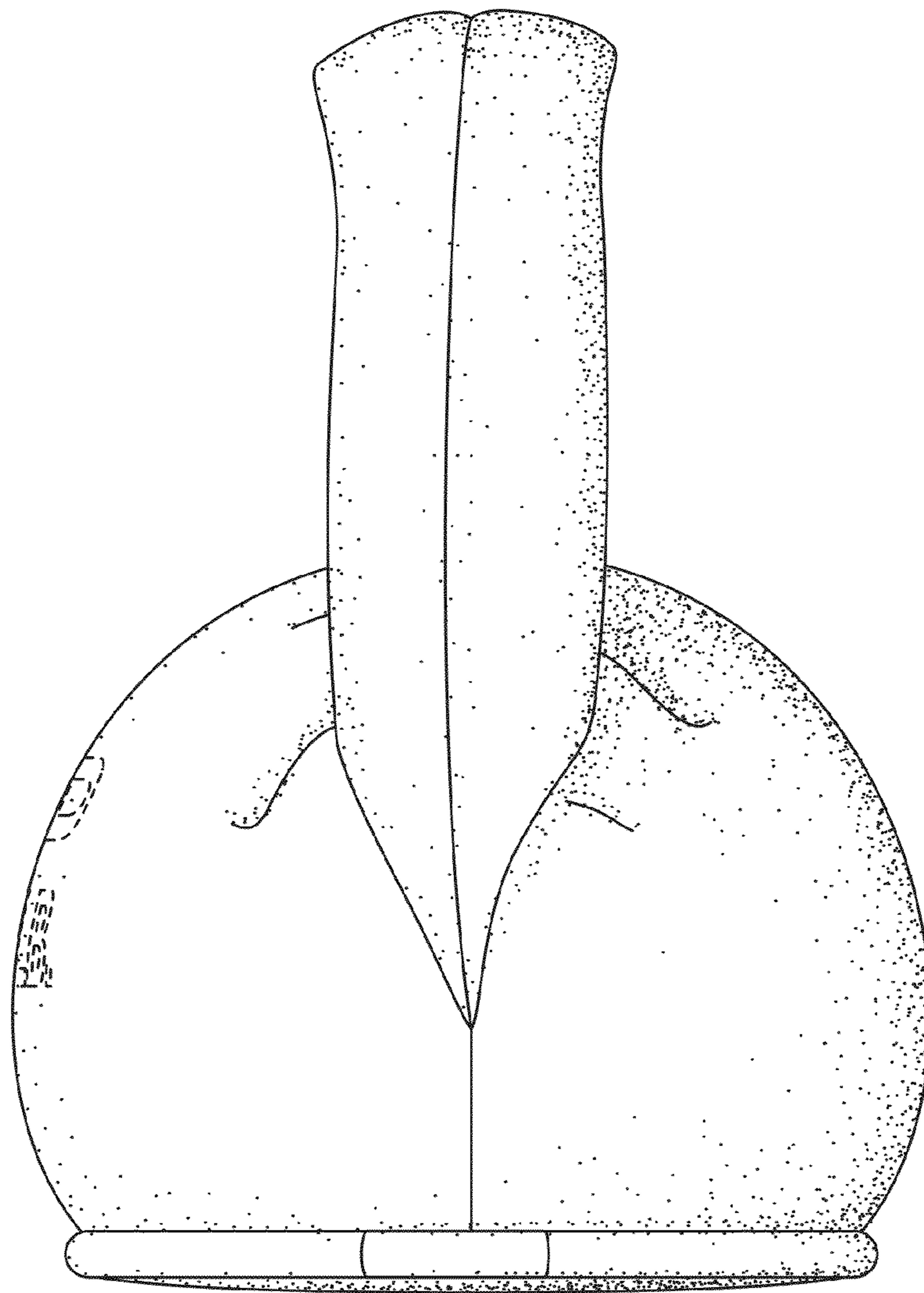


FIG. 5

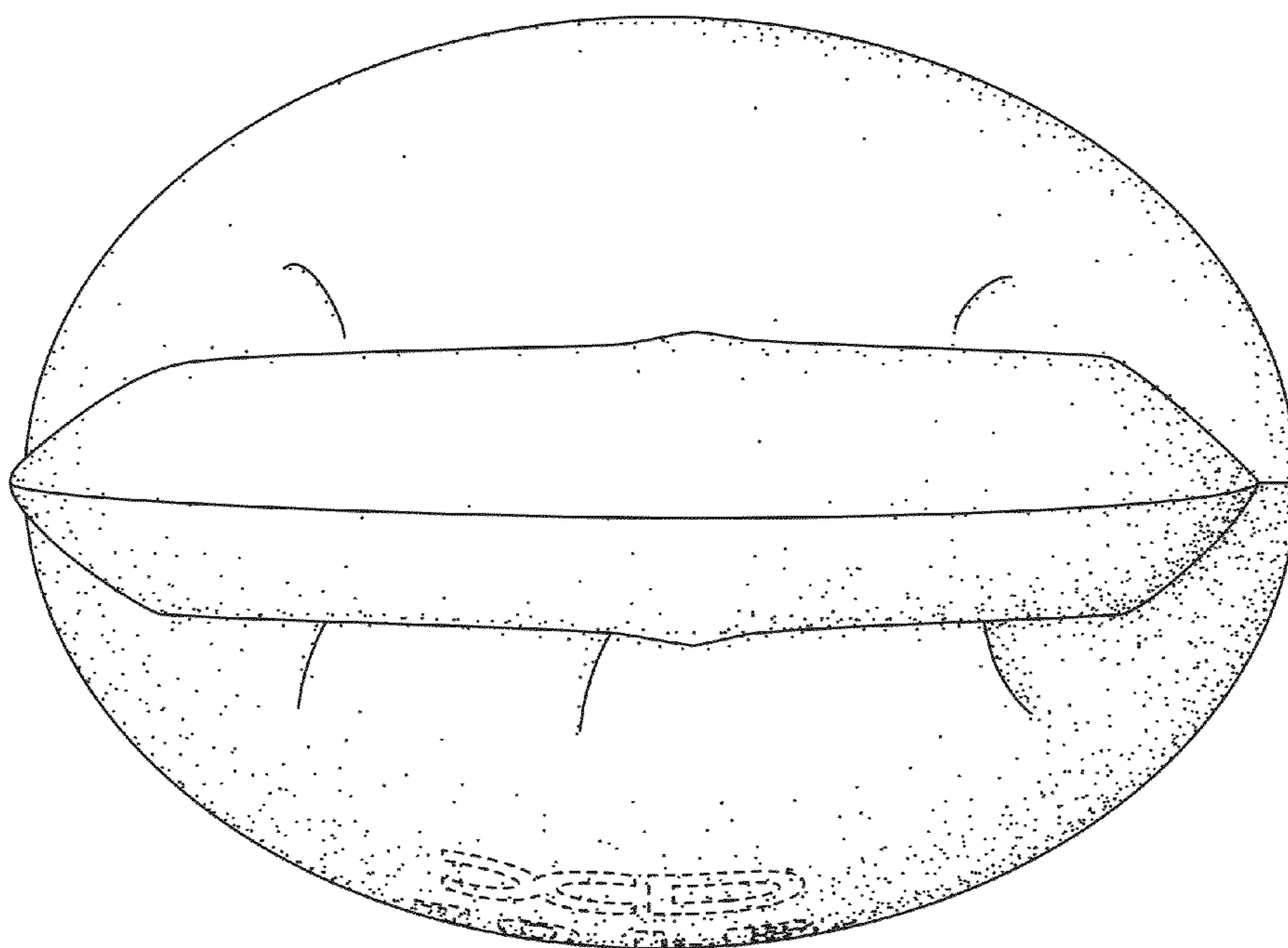


FIG. 6

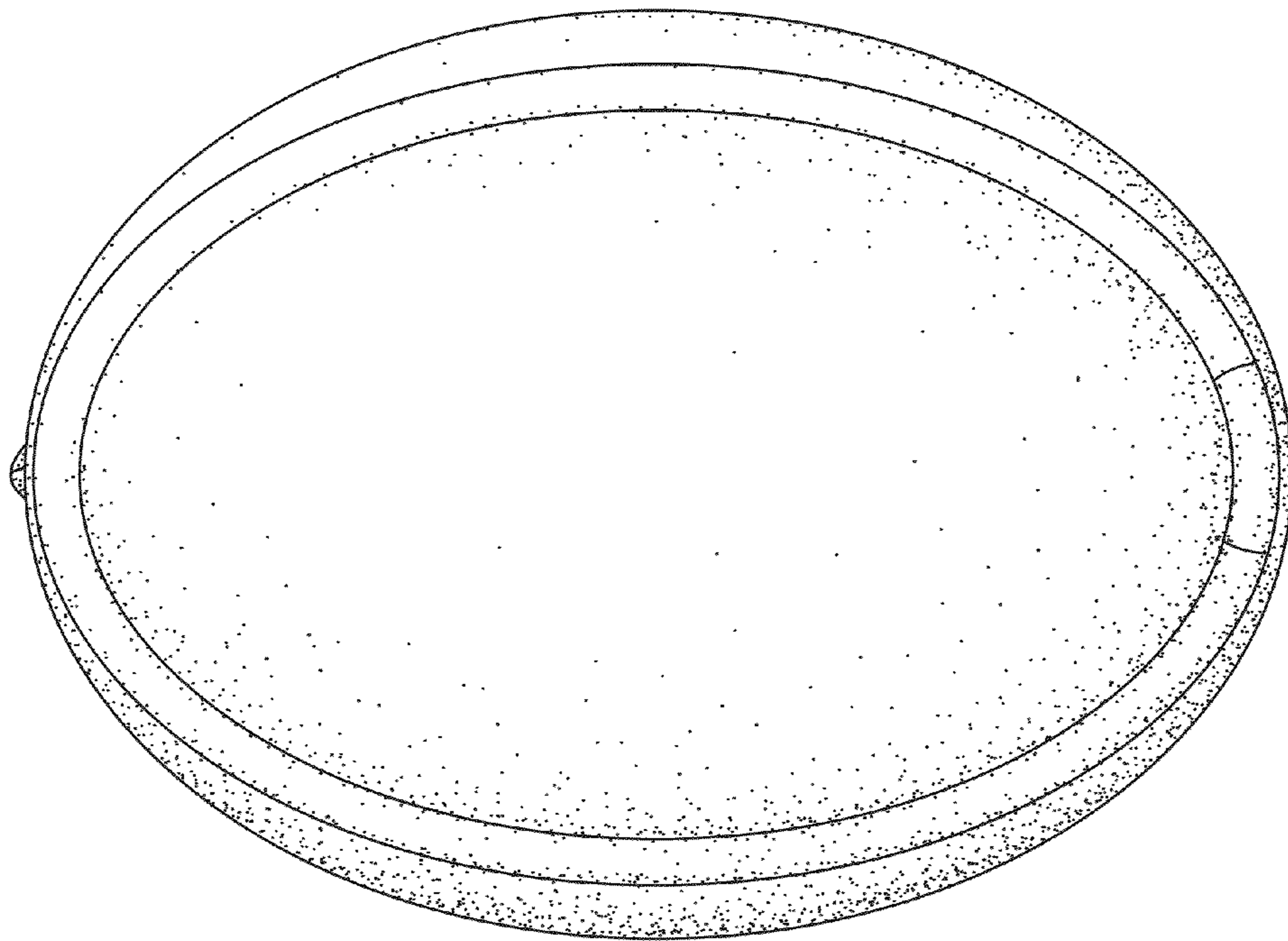


FIG. 7