

US00D726836S

(12) **United States Design Patent**  
**Song et al.**

(10) **Patent No.:** **US D726,836 S**  
(45) **Date of Patent:** **\*\* Apr. 14, 2015**

(54) **SMART SERVICE ROBOT**

(75) Inventors: **Se Kyong Song**, Seongnam-si (KR);  
**Sang Ki Lee**, Seongnam-si (KR)

(73) Assignee: **Future Robot Co., Ltd.**, Suwon (KR)

(\*\*) Term: **14 Years**

(21) Appl. No.: **29/431,683**

(22) Filed: **Sep. 10, 2012**

(30) **Foreign Application Priority Data**

Mar. 14, 2012 (EM) ..... 002008532

(51) **LOC (10) Cl.** ..... **21-01**

(52) **U.S. Cl.**  
USPC ..... **D21/578; D15/199**

(58) **Field of Classification Search**  
CPC ..... **A63H 3/00**  
USPC ..... **D21/578-583, 621, 622; 446/268-274,**  
**446/279, 280, 285, 289-292, 294, 297-303,**  
**446/353-355, 376-384; D15/199;**  
**318/568.11, 568.12, 568.2**

See application file for complete search history.

(56) **References Cited**

U.S. PATENT DOCUMENTS

4,717,364 A *	1/1988	Furukawa	.....	446/175
D298,766 S *	11/1988	Tanno et al.	.....	D21/578
D371,174 S *	6/1996	Tsai	.....	D21/578
D453,361 S *	2/2002	Tsai	.....	D21/578
6,604,021 B2 *	8/2003	Imai et al.	.....	700/245
D541,353 S *	4/2007	Takahashi	.....	D21/578
D559,288 S *	1/2008	Matsuda	.....	D15/199
D641,808 S *	7/2011	Matsuda	.....	D21/578

\* cited by examiner

*Primary Examiner* — **Zenia Bennett**

(74) *Attorney, Agent, or Firm* — **LRK Patent Law Firm**

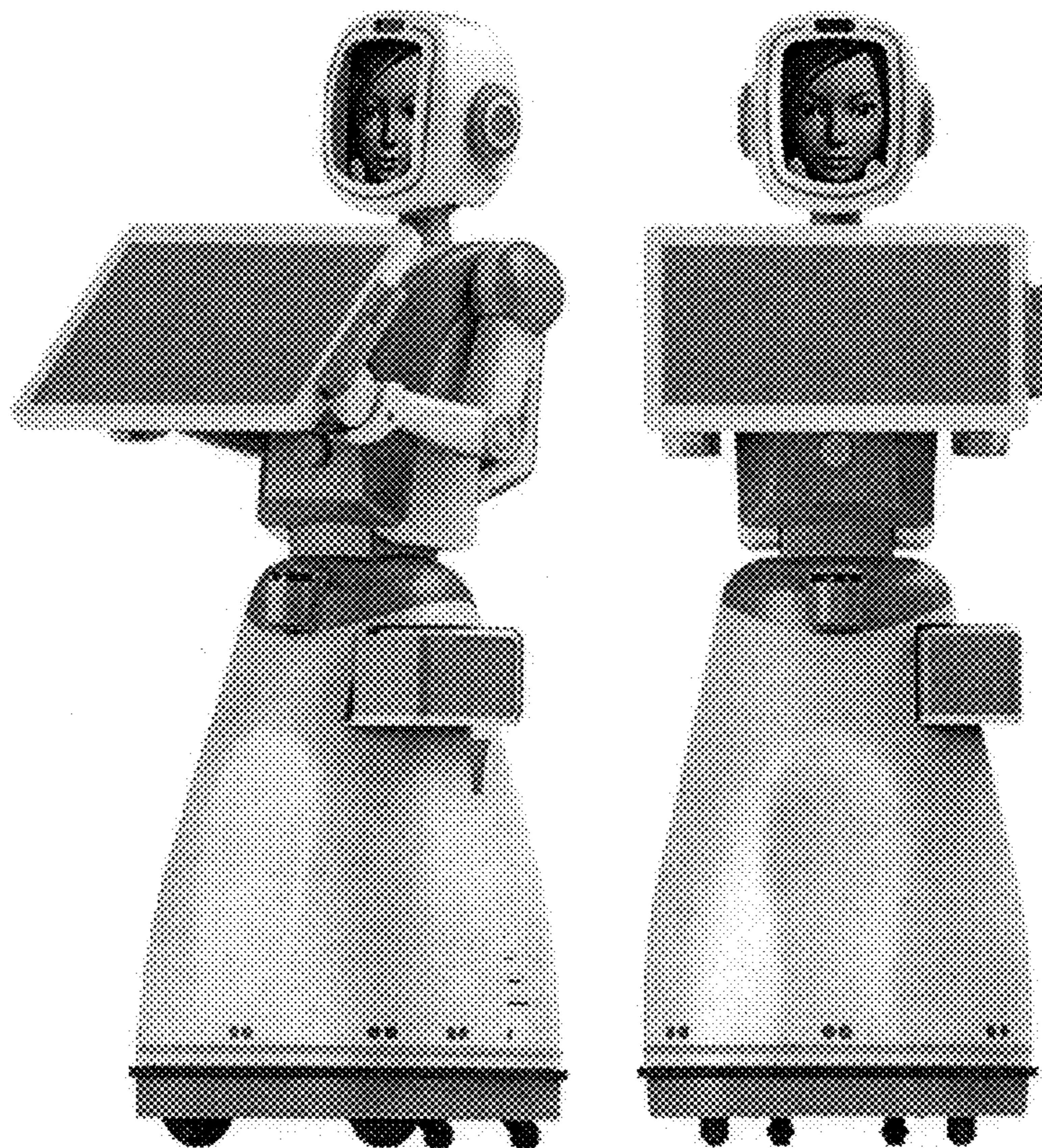
(57) **CLAIM**

The ornamental design for a smart service robot, as shown and described.

**DESCRIPTION**

FIG. 1 is a perspective view of the smart service robot showing my new design;  
FIG. 2 is a front elevational view thereof;  
FIG. 3 is a rear elevation view thereof;  
FIG. 4 is a left side elevational view thereof;  
FIG. 5 is a right side elevational view thereof;  
FIG. 6 is a top plan view thereof;  
FIG. 7 is a bottom view thereof; and,  
FIG. 8 is another perspective view thereof.

**1 Claim, 8 Drawing Sheets**



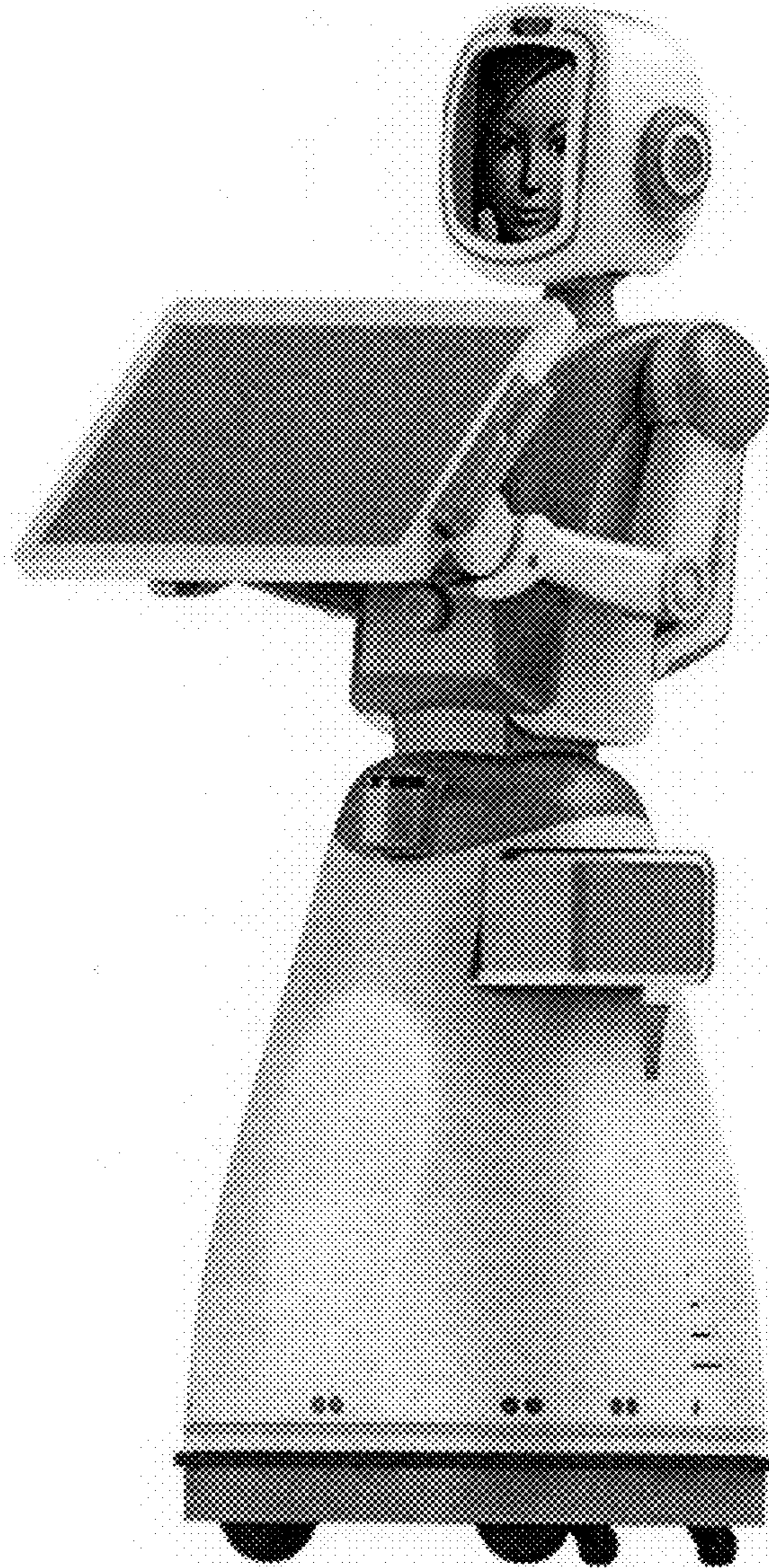


FIG. 1

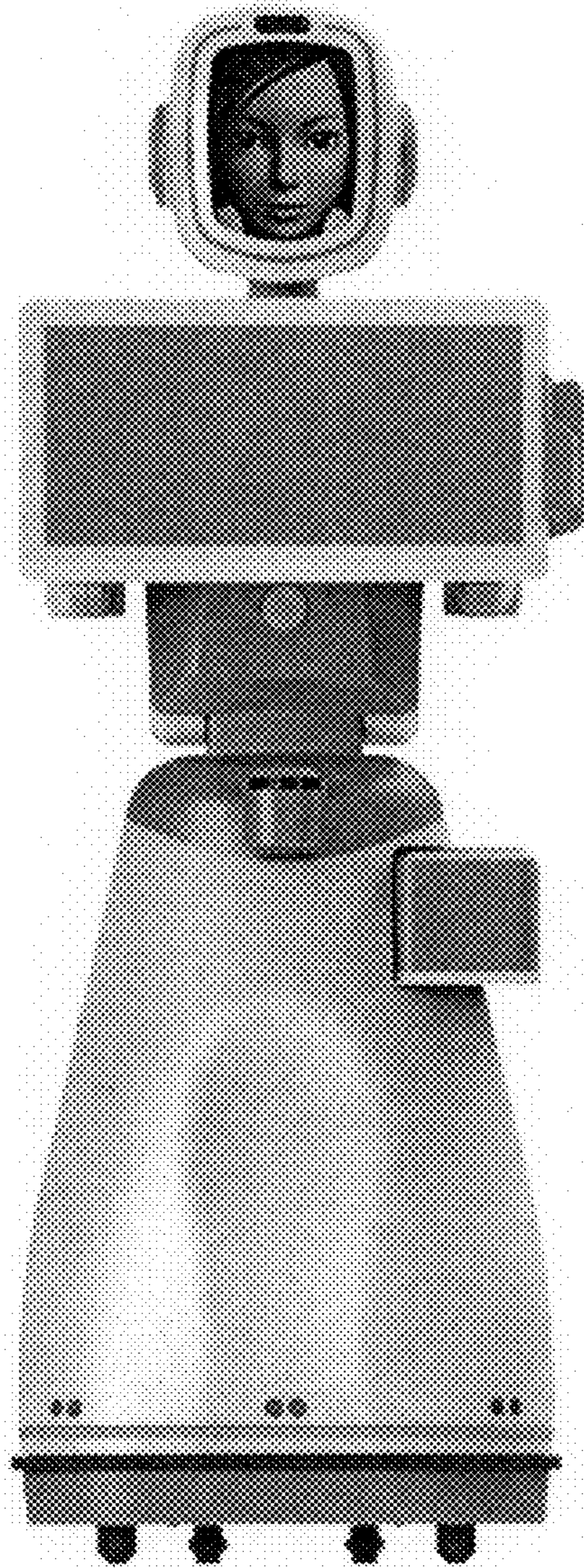


FIG. 2

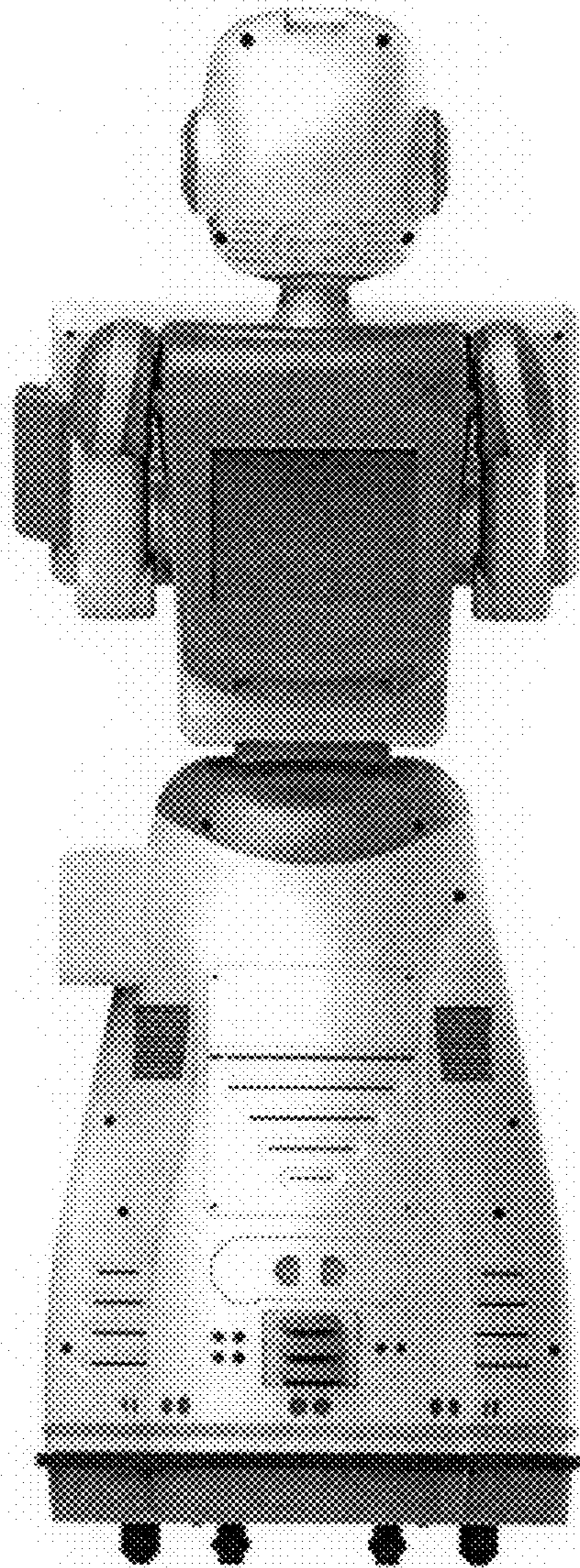


FIG. 3

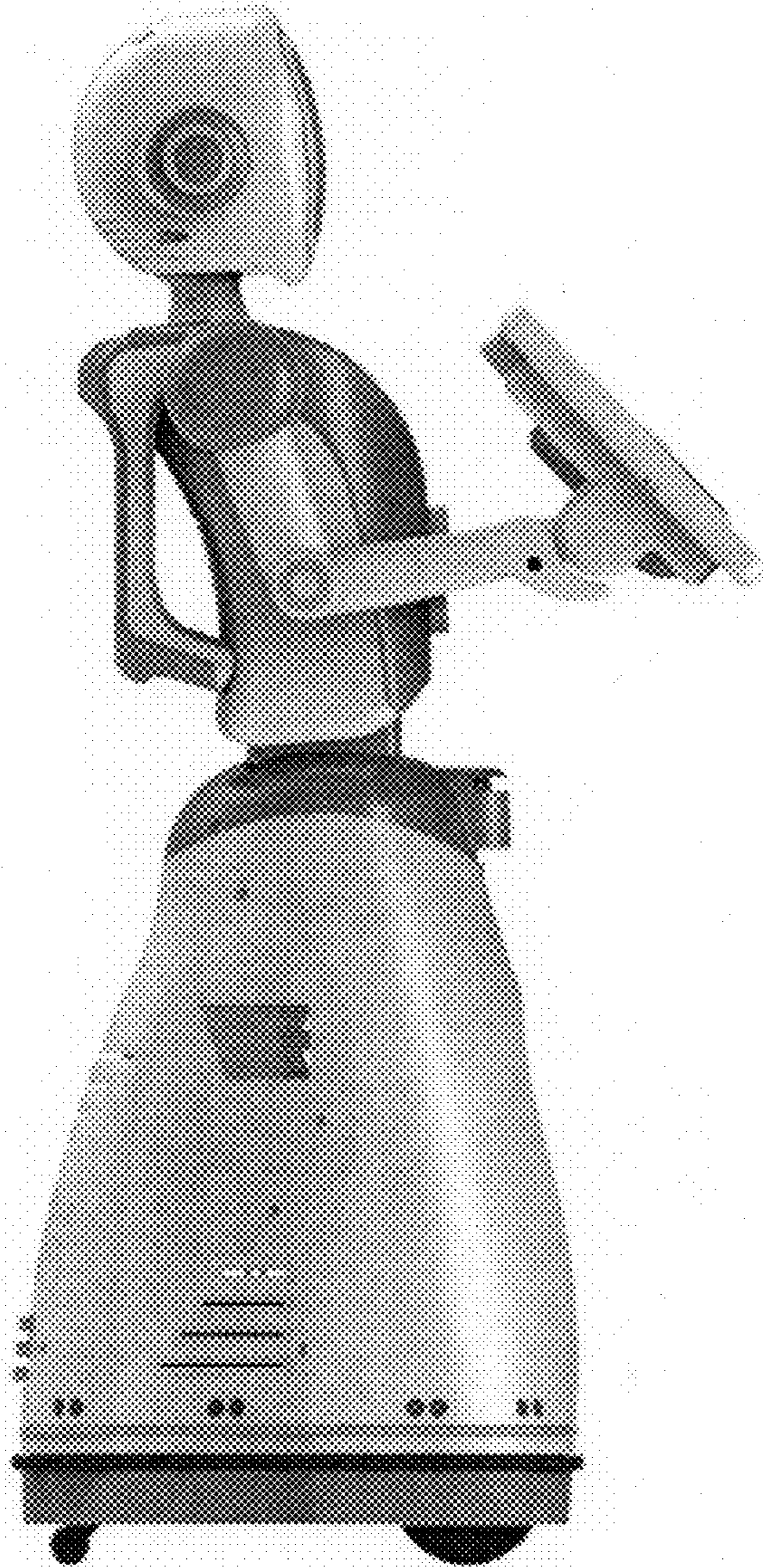


FIG. 4

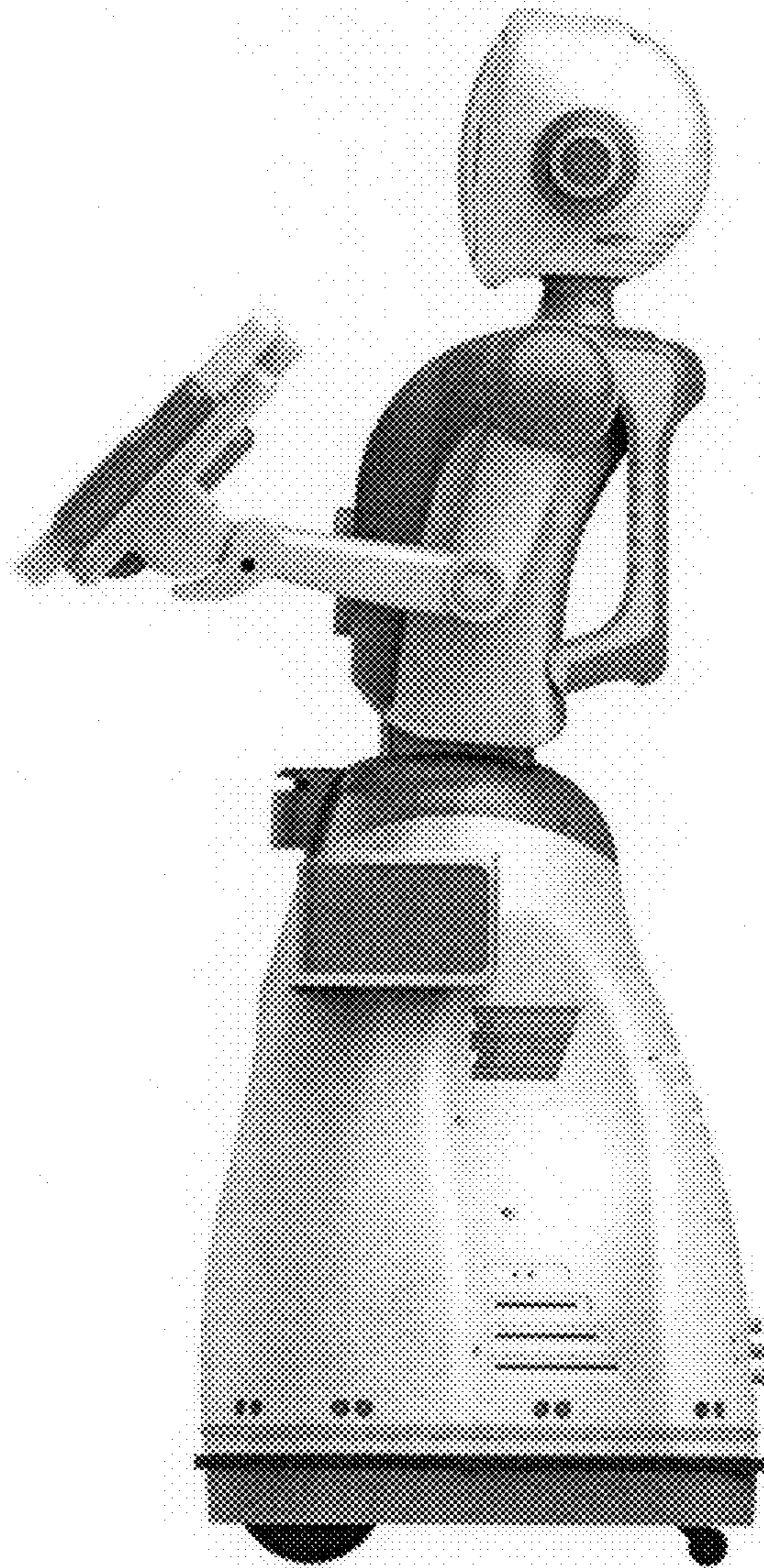


FIG. 5

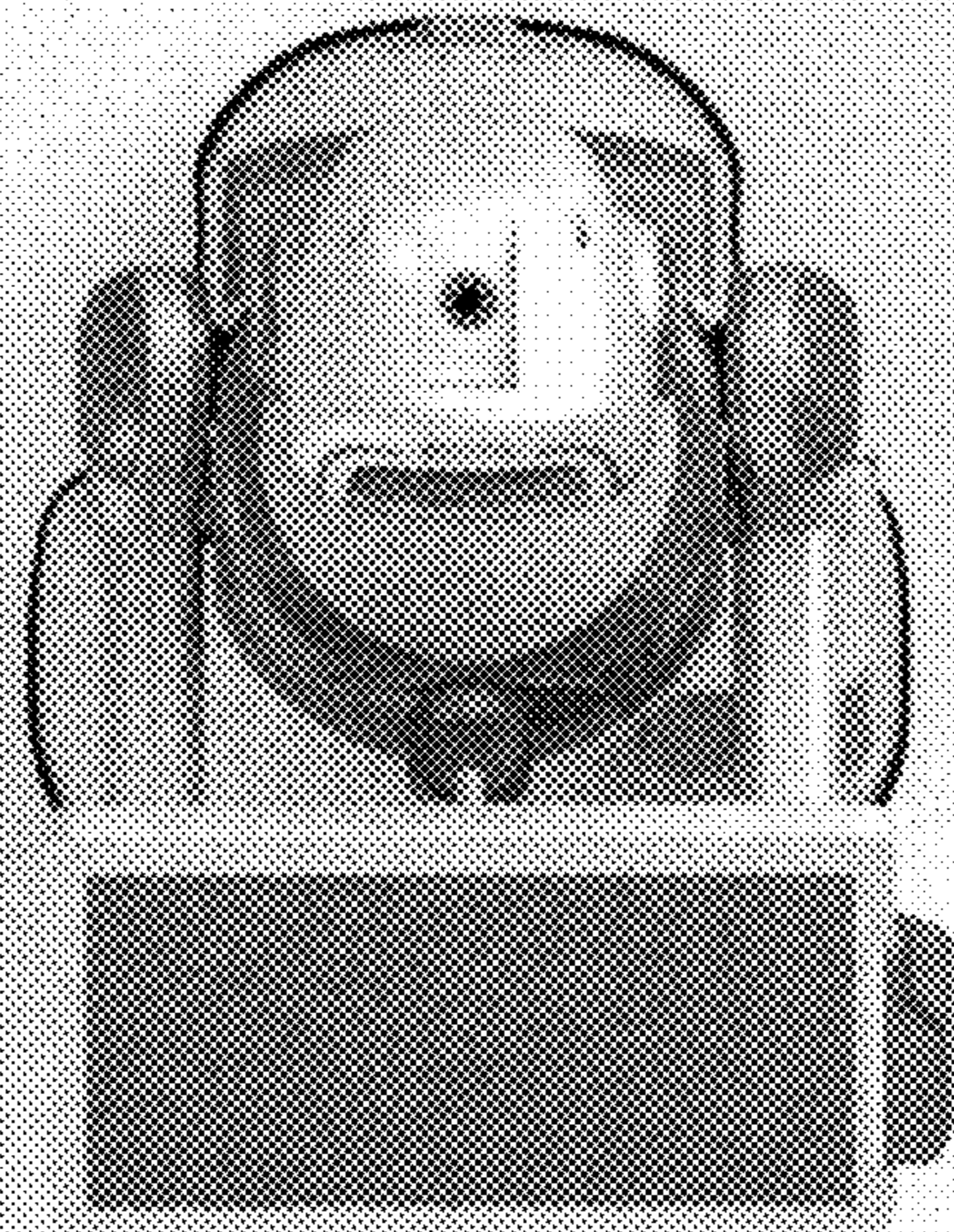


FIG. 6

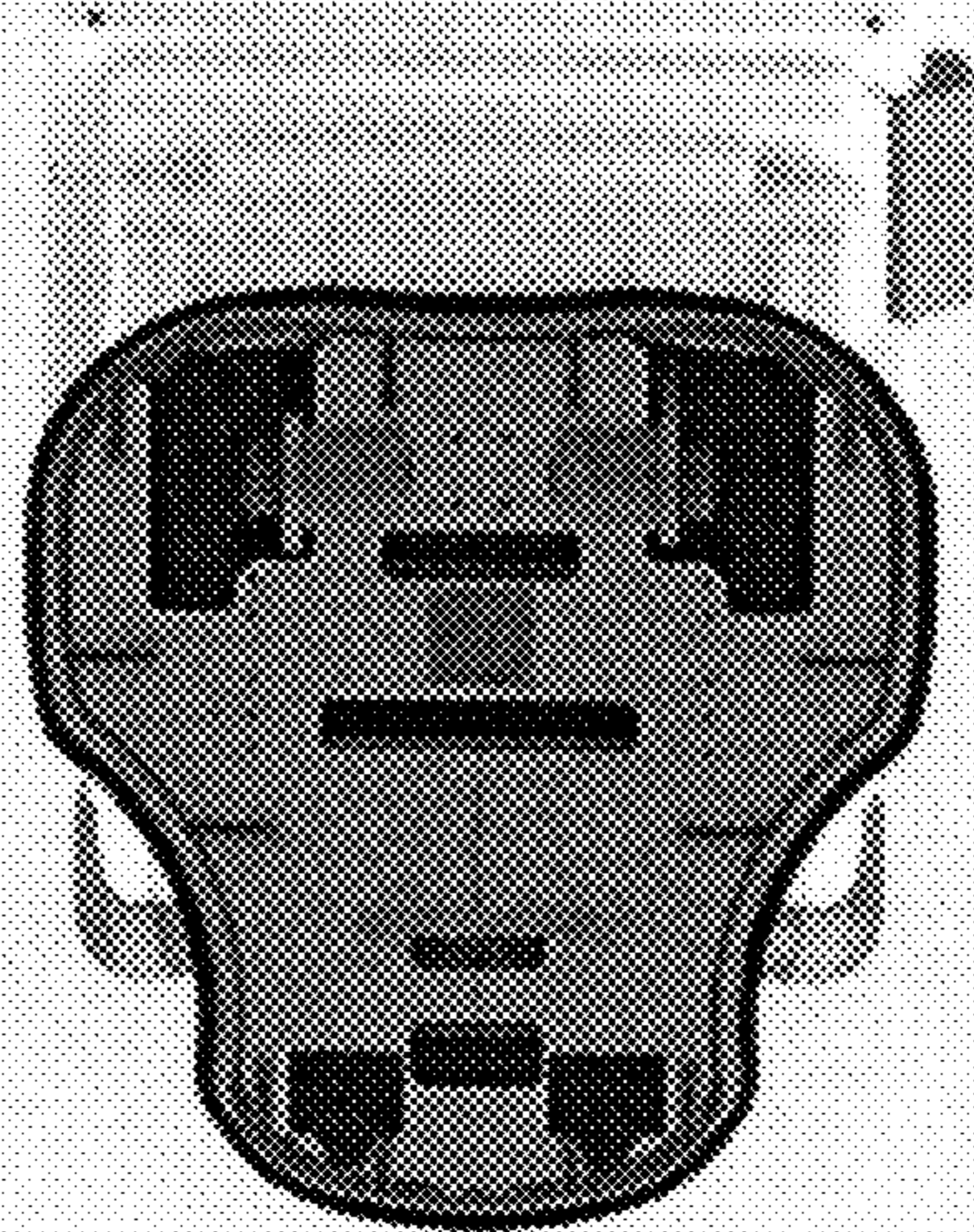


FIG. 7



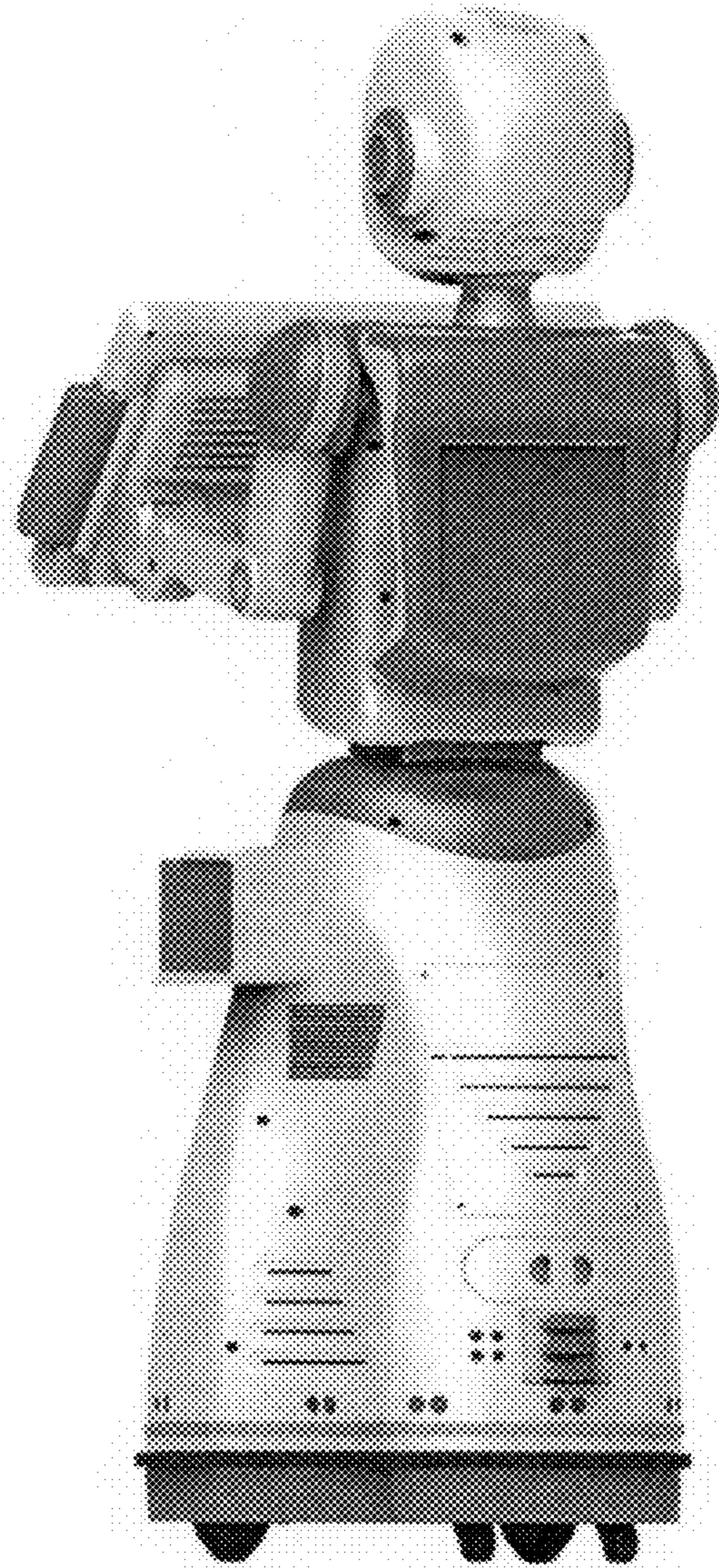


FIG. 8