



US00D726835S

(12) **United States Design Patent**
Edwards

(10) **Patent No.:** **US D726,835 S**
(45) **Date of Patent:** **** Apr. 14, 2015**

(54) **TOY ROLLERCOASTER TRACK SECTION**

(71) Applicant: **protoCAD Corp.**, La Plata, MD (US)

(72) Inventor: **Brian D. Edwards**, La Plata, MD (US)

(73) Assignee: **protoCAD Corp.**, La Plata, MD (US)

(**) Term: **14 Years**

(21) Appl. No.: **29/507,024**

(22) Filed: **Oct. 23, 2014**

| | | | |
|---------------|---------|-----------------|----------|
| 3,592,384 A * | 7/1971 | Tomaro | 238/200 |
| 3,650,468 A * | 3/1972 | Ewe et al. | 238/10 E |
| 3,746,252 A * | 7/1973 | Schaller | 238/10 E |
| D249,737 S * | 9/1978 | Tong | D21/565 |
| D264,108 S * | 4/1982 | Tong | D21/565 |
| D281,002 S | 10/1985 | Olsen | |
| D281,443 S * | 11/1985 | Olsen | D21/565 |
| 4,955,537 A * | 9/1990 | Bratovz | 238/10 B |
| 5,118,320 A | 6/1992 | Miller | |
| D344,306 S | 2/1994 | Ruszkai | |
| D344,310 S | 2/1994 | Ruszkai | |
| D344,555 S | 2/1994 | Ruszkai | |
| D344,992 S | 3/1994 | Ruszkai | |

(Continued)

Primary Examiner — Cynthia M Chin

(74) *Attorney, Agent, or Firm* — Fox Rothschild LLP

Related U.S. Application Data

(62) Division of application No. 29/466,998, filed on Sep. 13, 2013, now Pat. No. Des. 717,887.

(51) **LOC (10) Cl.** **21-01**

(52) **U.S. Cl.**
USPC **D21/565**

(58) **Field of Classification Search**

CPC A63H 19/24; A63H 19/28; A63H 19/30;
A63H 19/32; A63H 19/36; A63H 21/00;
A63H 21/02; A63H 21/04; A63H 18/00;
A63H 18/02; A63H 18/021; A63H 18/025;
A63H 18/028; A63H 18/04; A63H 18/06;
A63H 18/16; E01B 23/00; E01B 23/02;
E01B 23/04; E01B 23/06

USPC D21/484, 490, 493, 509, 564, 565, 802,
D21/818, 821; 446/168–174, 84, 89, 108,
446/112, 114, 116, 124–128, 429,
446/444–447; 463/58–69; 238/10 R,
238/10 A–10 C, 10 E, 10 F; 104/60, 69

See application file for complete search history.

(56) **References Cited**

U.S. PATENT DOCUMENTS

| | | | |
|---------------|--------|--------------|----------|
| 2,647,693 A * | 8/1953 | Carver | 238/10 R |
| D195,679 S | 7/1963 | Genin et al. | |
| 3,451,161 A | 6/1969 | Lemelson | |

(57) **CLAIM**

The ornamental design for a toy rollercoaster track section, as shown and described.

DESCRIPTION

FIG. 1 depicts a top perspective view of a toy rollercoaster track section.

FIG. 2 depicts a bottom perspective view of the toy rollercoaster track section of FIG. 1.

FIG. 3 depicts a front elevation view of the toy rollercoaster track section of FIG. 1.

FIG. 4 depicts a rear elevation view of the toy rollercoaster track section of FIG. 1.

FIG. 5 depicts a right elevation view of the toy rollercoaster track section of FIG. 1.

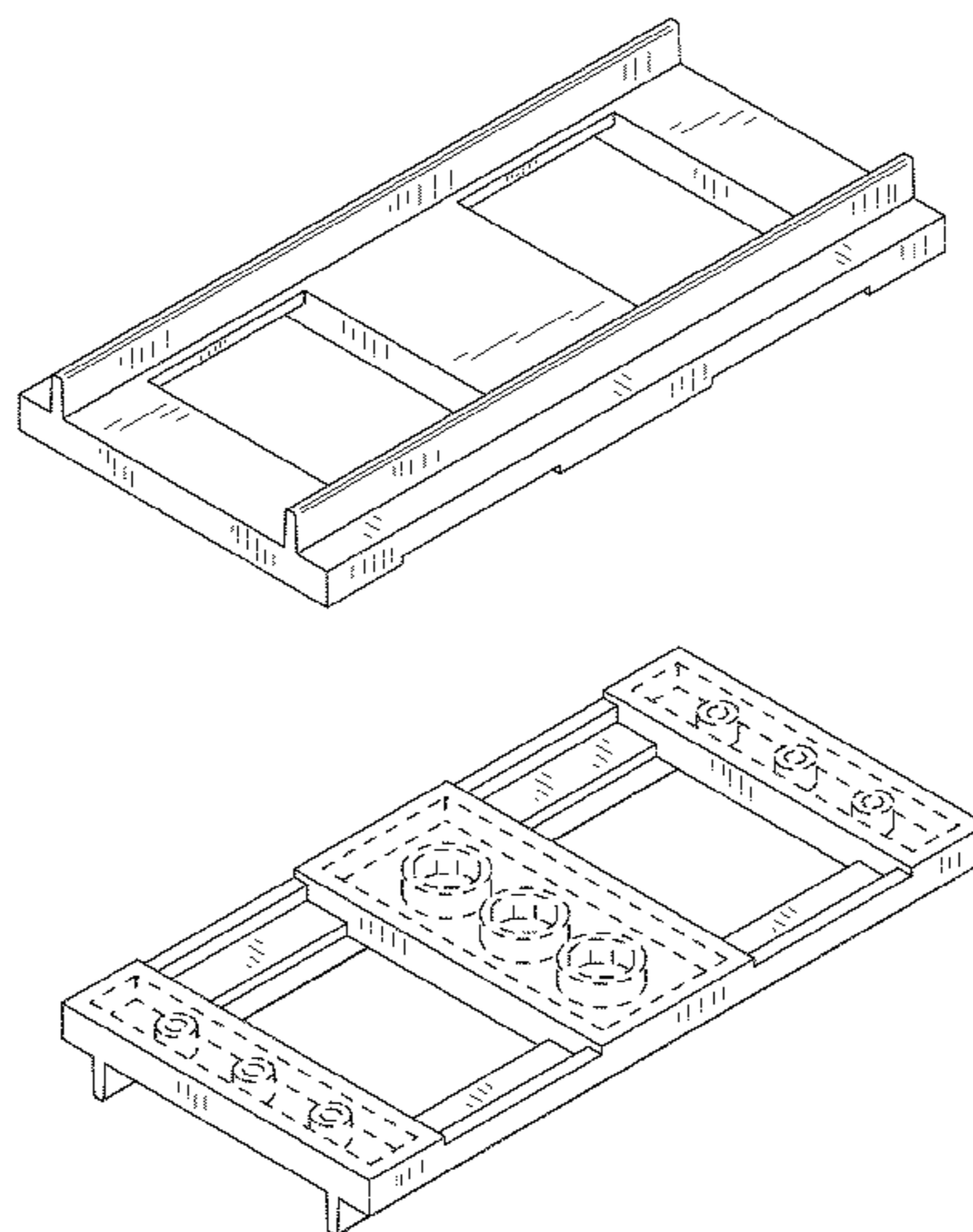
FIG. 6 depicts a left elevation view of the toy rollercoaster track section of FIG. 1.

FIG. 7 depicts a top plan view of the toy rollercoaster track section of FIG. 1; and,

FIG. 8 depicts a bottom plan view of the toy rollercoaster track section of FIG. 1.

The broken lines in the drawings illustrate environmental structure on the article and form no part of the claimed design.

1 Claim, 4 Drawing Sheets



(56)

References Cited

U.S. PATENT DOCUMENTS

| | | | | | | | | | | |
|-----------|------|---------|--------------------|-------|----------|-----------|-----|--------|-------------------|---------------|
| 5,503,330 | A * | 4/1996 | Riley | | 238/10 E | 7,353,758 | B2 | 4/2008 | Murray | |
| 5,564,962 | A | 10/1996 | Navarrete Espinosa | | | D620,989 | S | 8/2010 | Ryaa | |
| D382,607 | S * | 8/1997 | Riley | | D21/565 | D630,270 | S | 1/2011 | Clausen | |
| D415,539 | S | 10/1999 | Rudy | | | D630,271 | S * | 1/2011 | Clausen | D21/565 |
| 6,572,434 | B2 | 6/2003 | Man | | | D640,330 | S | 6/2011 | Beauregard et al. | |
| D481,424 | S * | 10/2003 | Rothkopf et al. | | D21/565 | D640,331 | S | 6/2011 | Beauregard et al. | |
| 6,648,237 | B2 * | 11/2003 | Rothkopf et al. | | 238/10 E | D640,332 | S | 6/2011 | Beauregard et al. | |
| | | | | | | D640,333 | S | 6/2011 | Beauregard et al. | |
| | | | | | | D645,913 | S * | 9/2011 | Beauregard et al. | D21/565 |

* cited by examiner

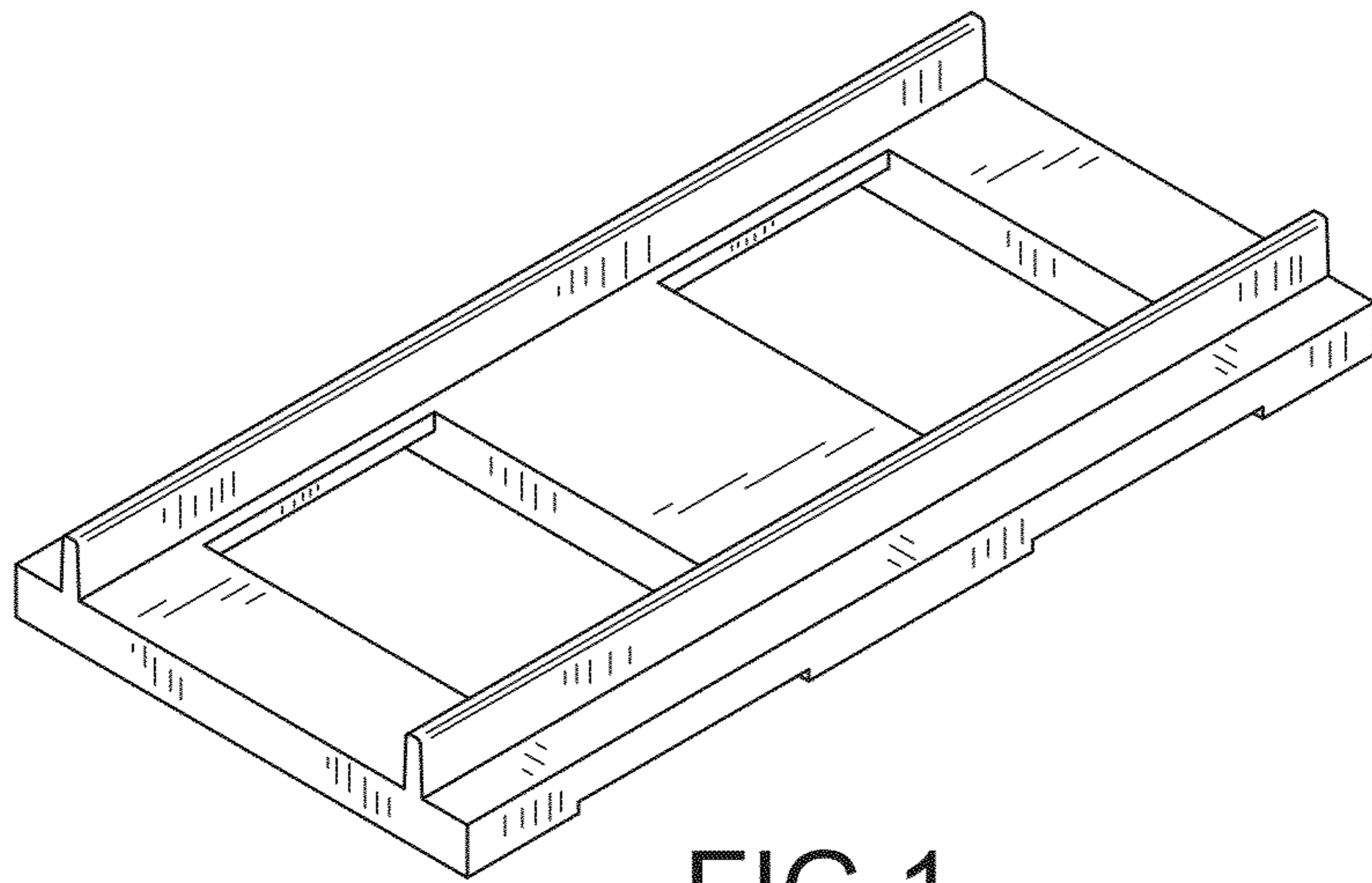


FIG 1

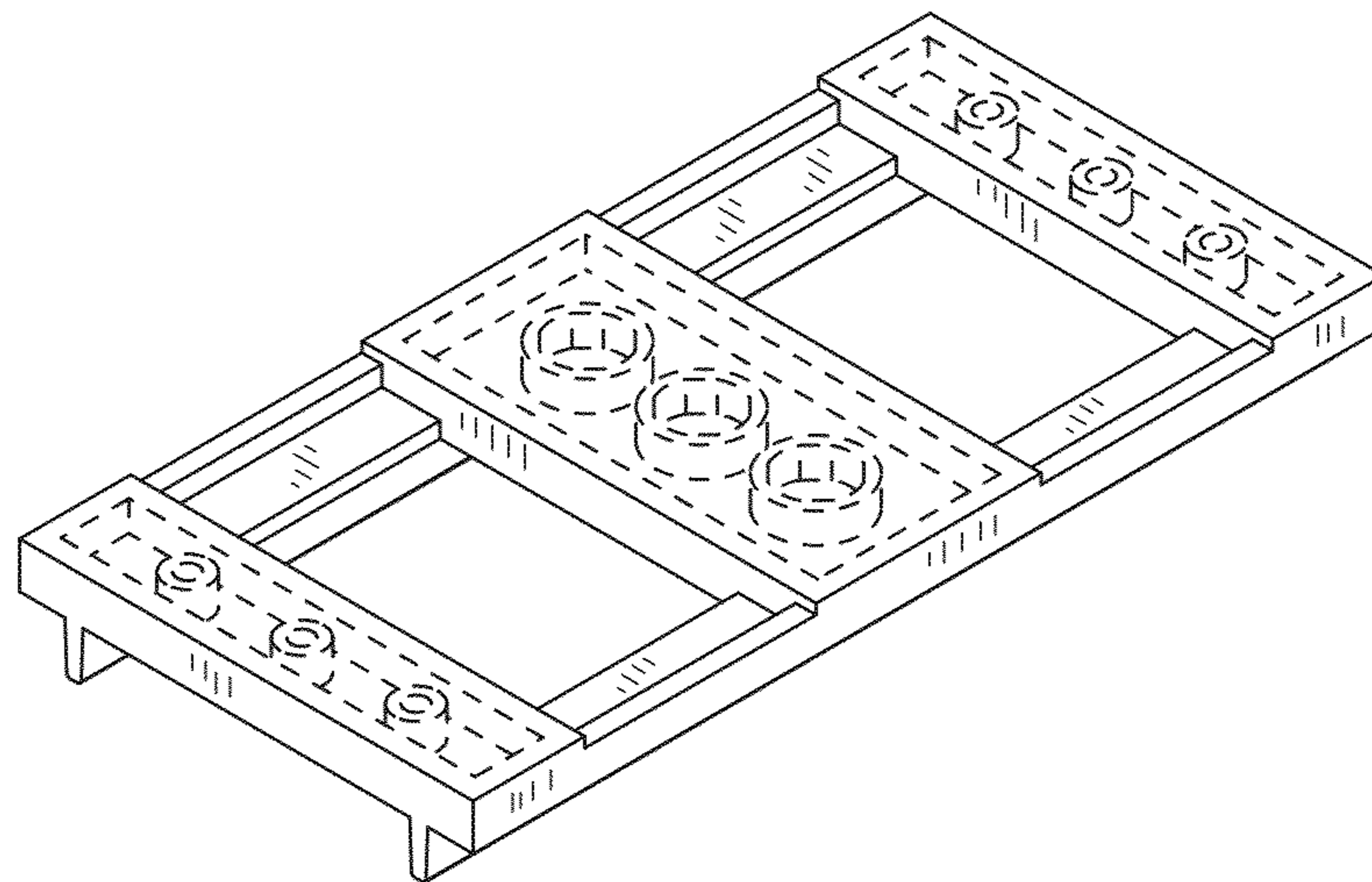


FIG 2

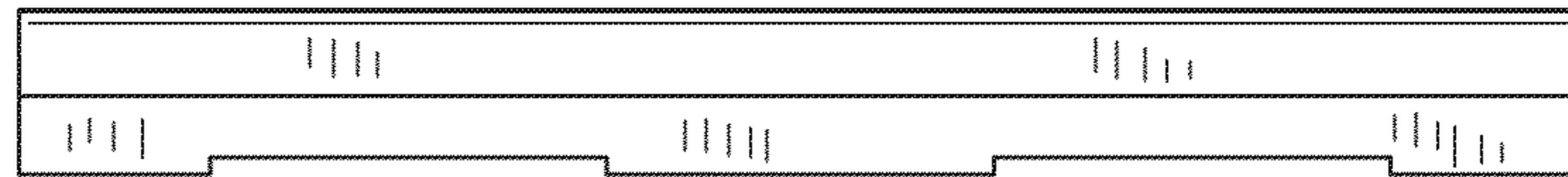


FIG 3

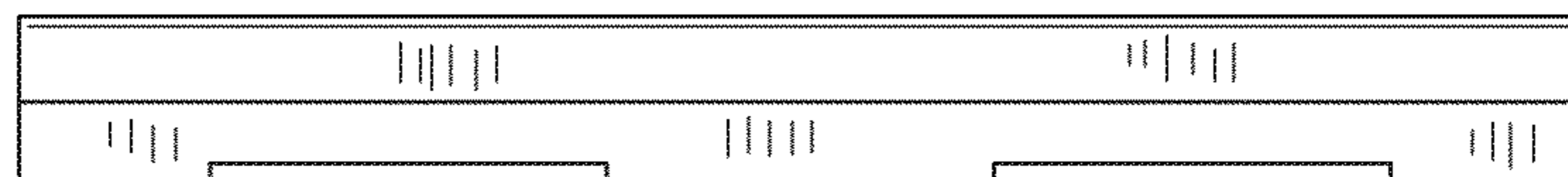


FIG 4



FIG 5

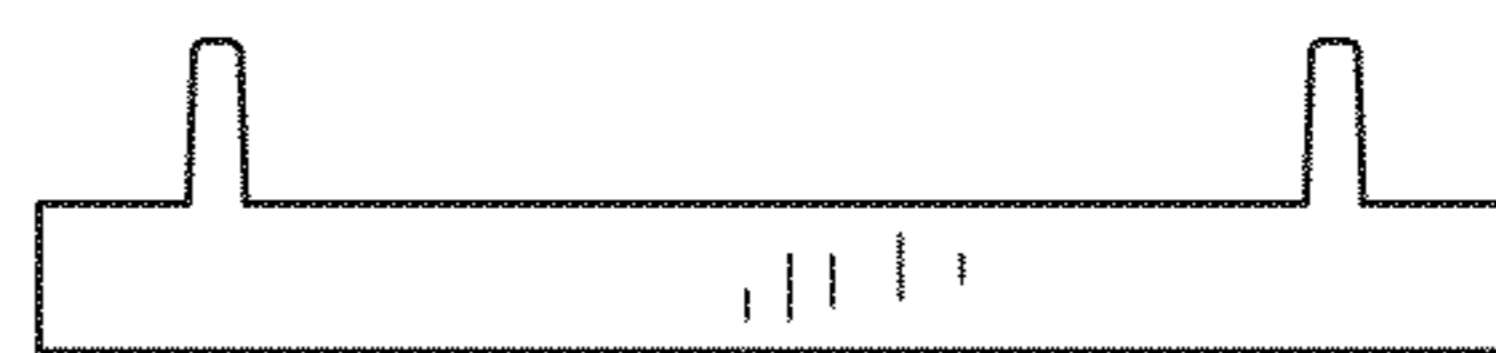


FIG 6

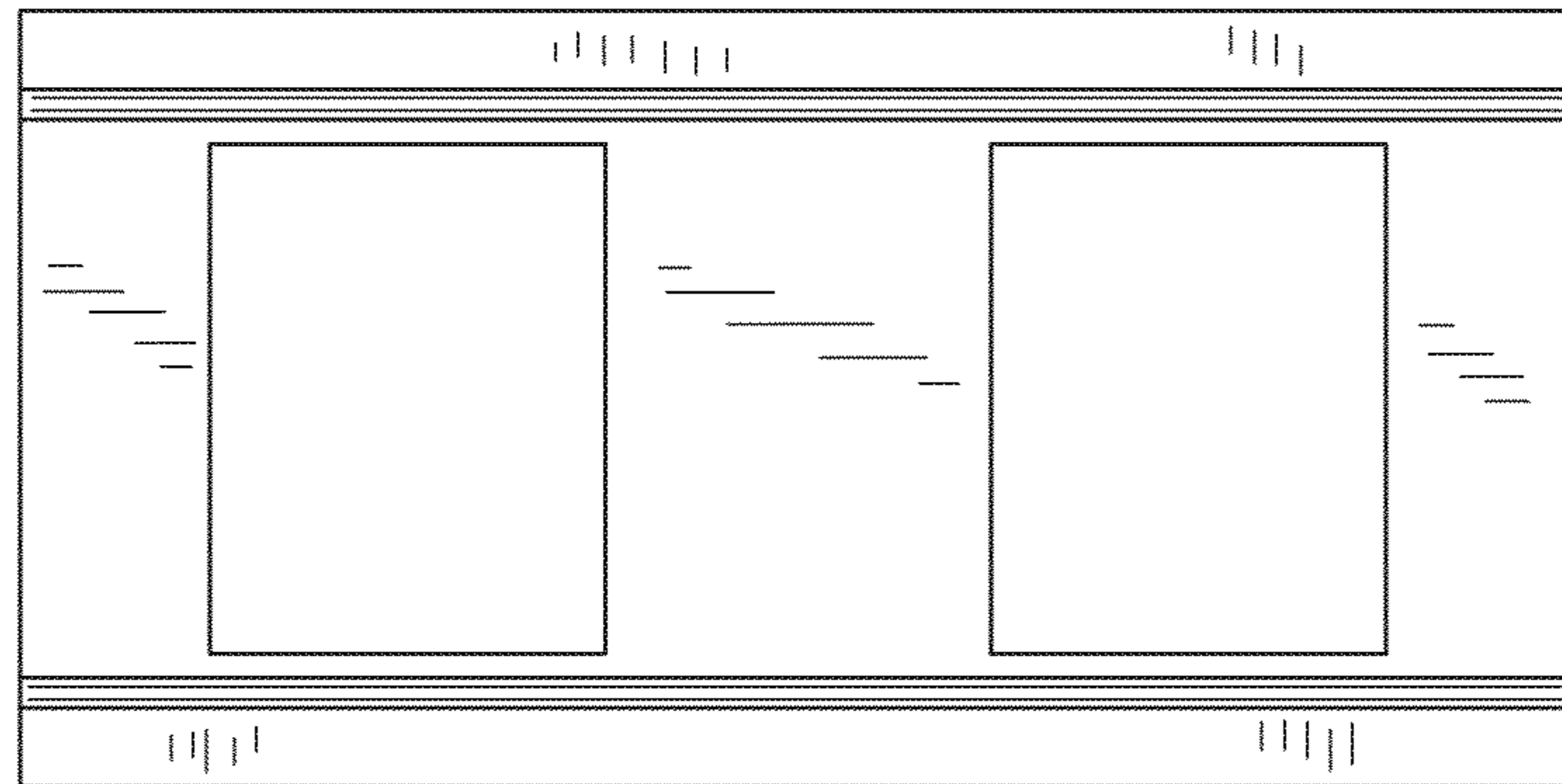


FIG 7

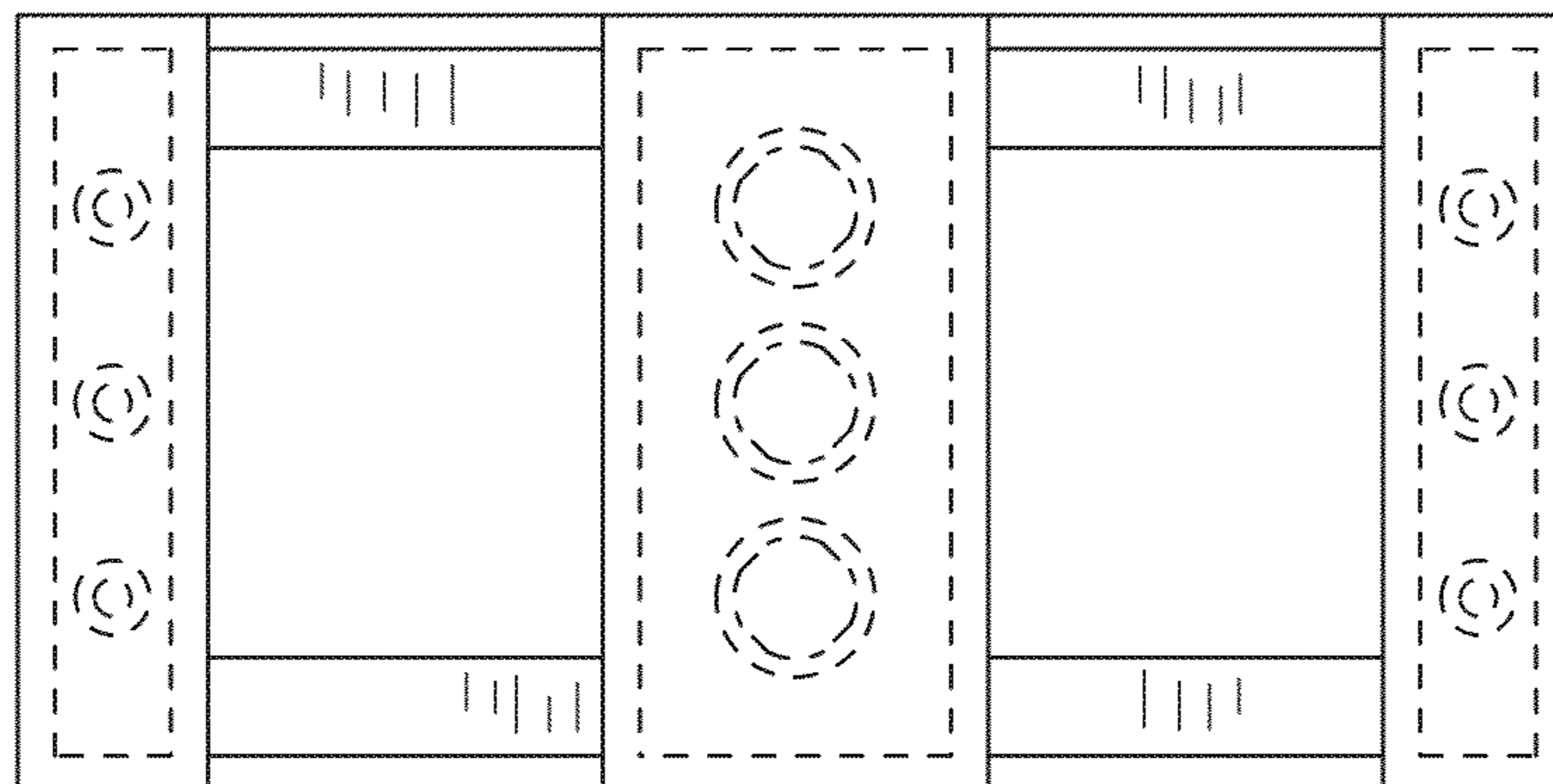


FIG 8