



US00D726830S

(12) **United States Design Patent**
Olden et al.

(10) **Patent No.:** **US D726,830 S**
(45) **Date of Patent:** **** Apr. 14, 2015**

(54) **LAWN BOARD GAME**
(71) Applicant: **Goat Function LLC**, Boulder, CO (US)
(72) Inventors: **Jason Olden**, Boulder, CO (US);
Thomas Behrens, Boulder, CO (US);
Grant Dupre, Boulder, CO (US); **James Dean**, Providence, RI (US)

(73) Assignee: **Goat Function LLC**, Boulder, CO (US)

(**) Term: **14 Years**

(21) Appl. No.: **29/461,224**

(22) Filed: **Jul. 19, 2013**

(51) **LOC (10) Cl.** **21-01**

(52) **U.S. Cl.**
USPC **D21/303**

(58) **Field of Classification Search**
CPC A63B 63/00; A63B 63/08; A63B 67/00;
A63F 67/002; A63F 9/02; A63F 13/00;
A63F 7/00
USPC D21/300-303, 385, 386, 390; 273/348,
273/398-402, 407, 127 R; 473/569, 587,
473/588, 593, 594
See application file for complete search history.

(56) **References Cited**

U.S. PATENT DOCUMENTS

4,943,065 A * 7/1990 DeLapa 273/402
4,961,586 A * 10/1990 Conville 273/402
5,056,796 A * 10/1991 Conville 273/402
5,165,695 A * 11/1992 Yoder 273/402

D340,082 S * 10/1993 DeLapa D21/303
D363,953 S * 11/1995 Buse D21/303
D375,530 S * 11/1996 Rudd D21/303
5,871,216 A * 2/1999 Sparacino 273/402
6,244,598 B1 * 6/2001 Conville 273/402
D544,041 S * 6/2007 Murphy et al. D21/303
7,607,666 B1 * 10/2009 Studier 273/400
D635,197 S * 3/2011 Pryor D21/303
8,162,318 B1 * 4/2012 Peterson et al. 273/402

* cited by examiner

Primary Examiner — Prabhakar Deshmukh

(74) *Attorney, Agent, or Firm* — Holland & Hart LLP

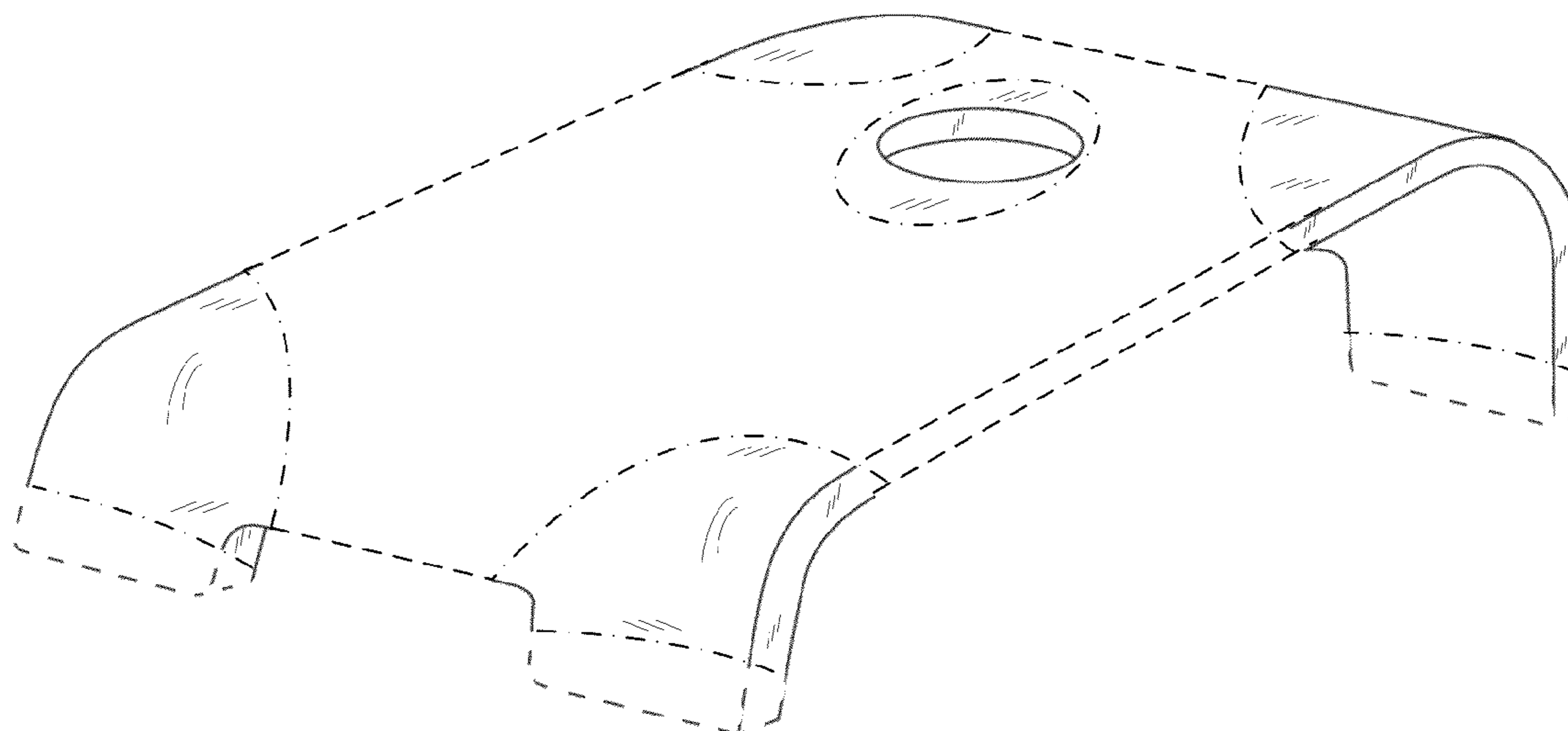
(57) **CLAIM**

The ornamental design for a lawn board game, as shown and described.

DESCRIPTION

FIG. 1 is a front and top perspective view of the lawn board game, showing our new design;
FIG. 2 is a front view of the design illustrated in FIG. 1;
FIG. 3 is a rear view of the design illustrated in FIG. 1;
FIG. 4 is a top view of the design illustrated in FIG. 1;
FIG. 5 is bottom view of the design illustrated in FIG. 1;
FIG. 6 is right side view of the design illustrated in FIG. 1;
and,
FIG. 7 is a left side view of the design illustrated in FIG. 1.
The uneven broken lines in FIGS. 1-7 represent the bounds of the claimed design, and the regular broken lines represent unclaimed portions of the design. The broken lines form no part of the claimed design.

1 Claim, 5 Drawing Sheets



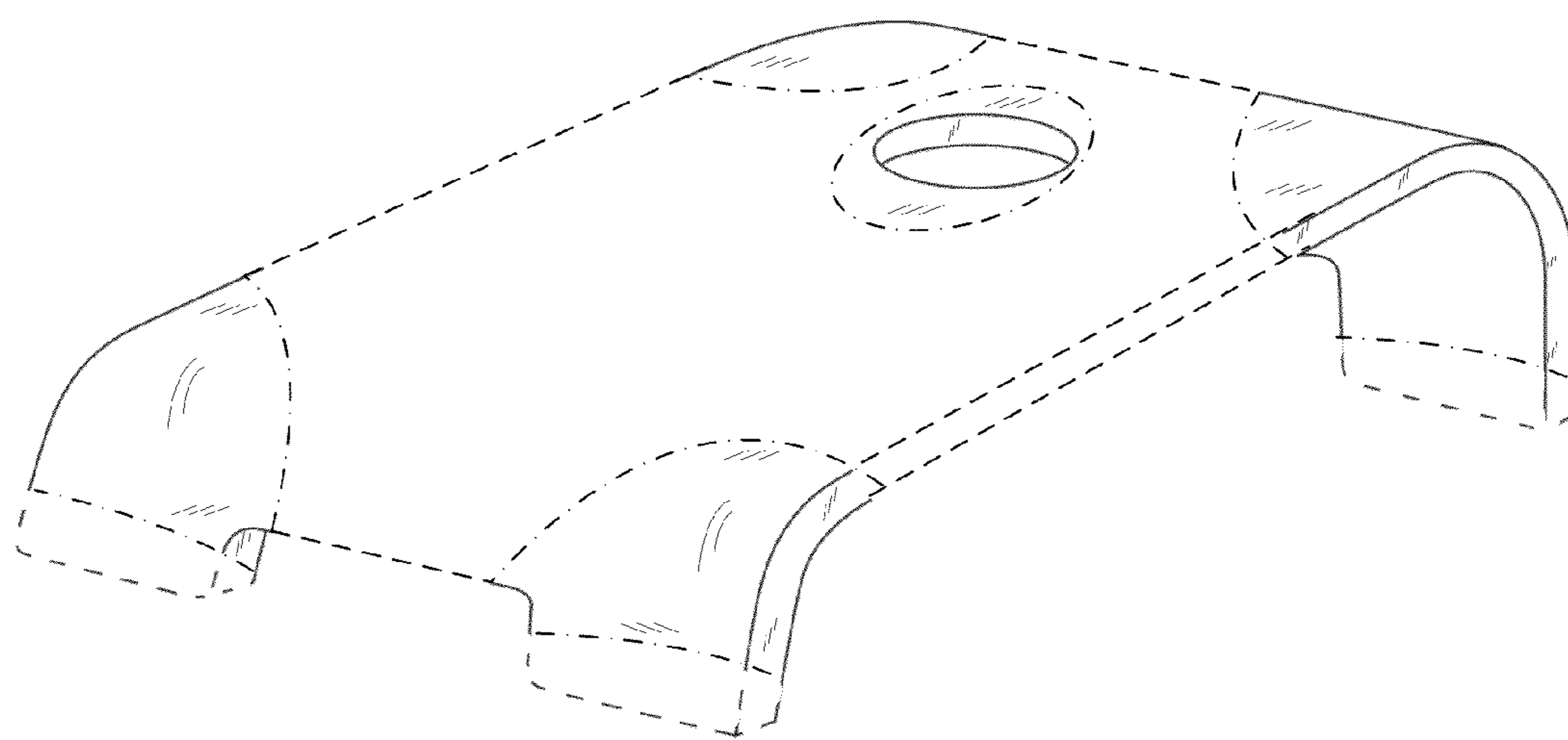


FIG. 1

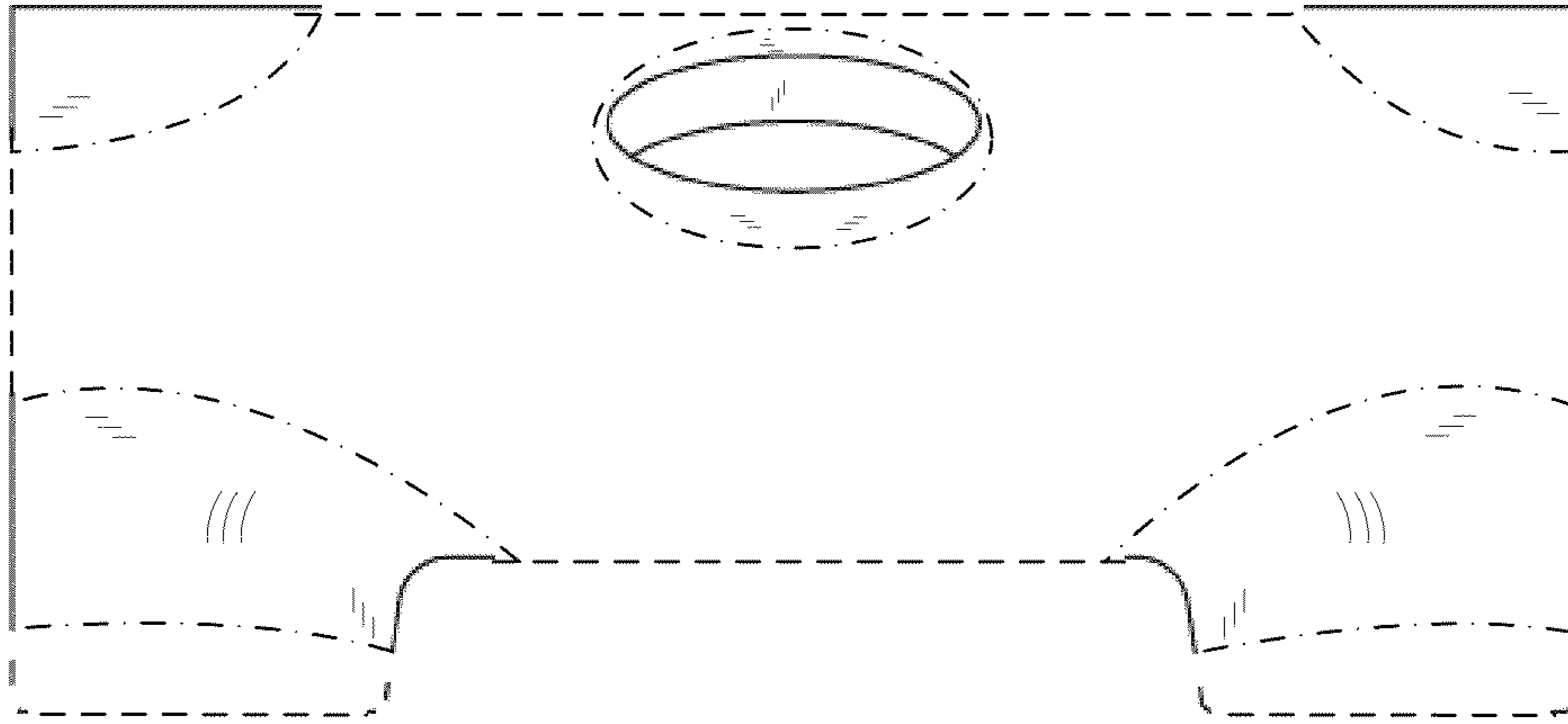


FIG. 2

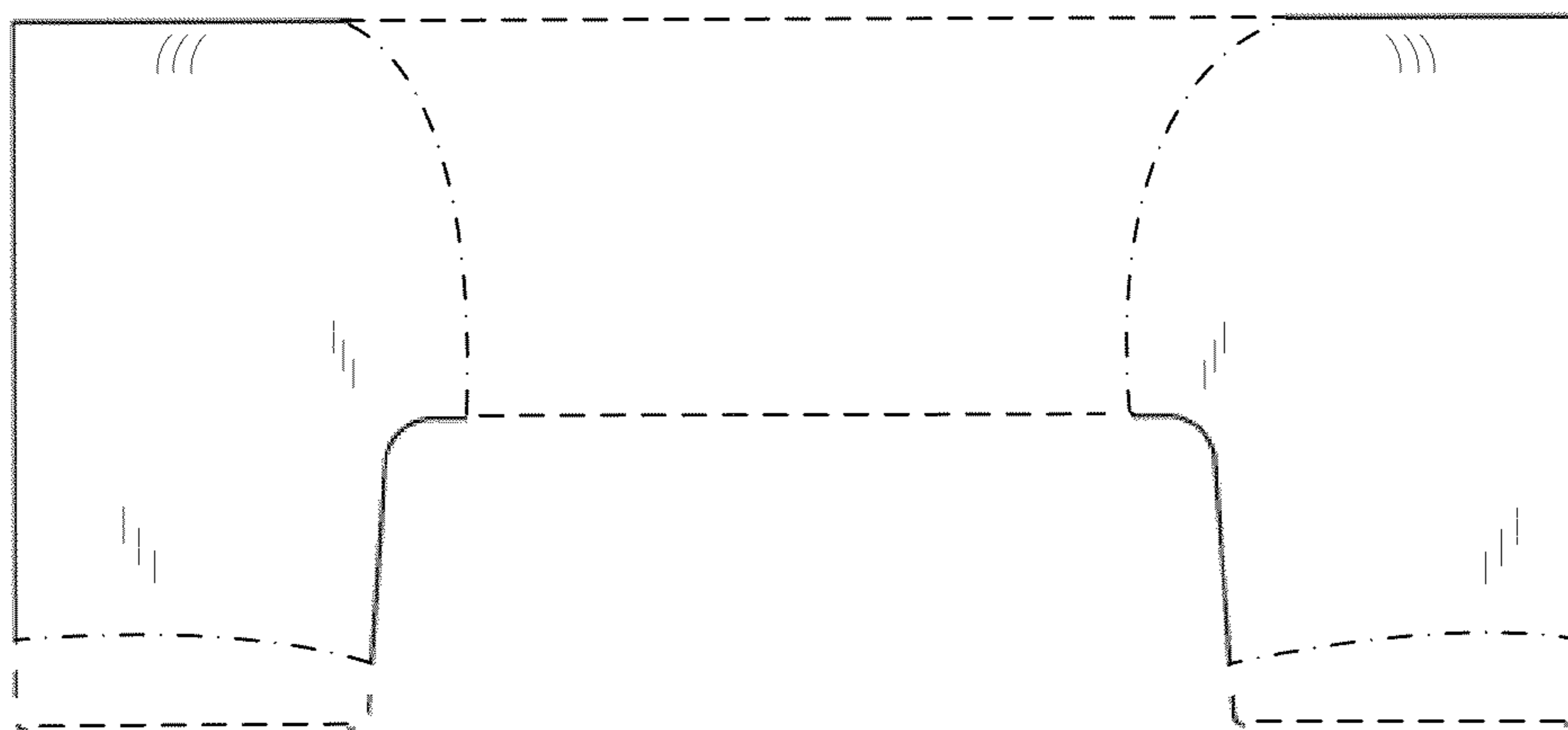


FIG. 3

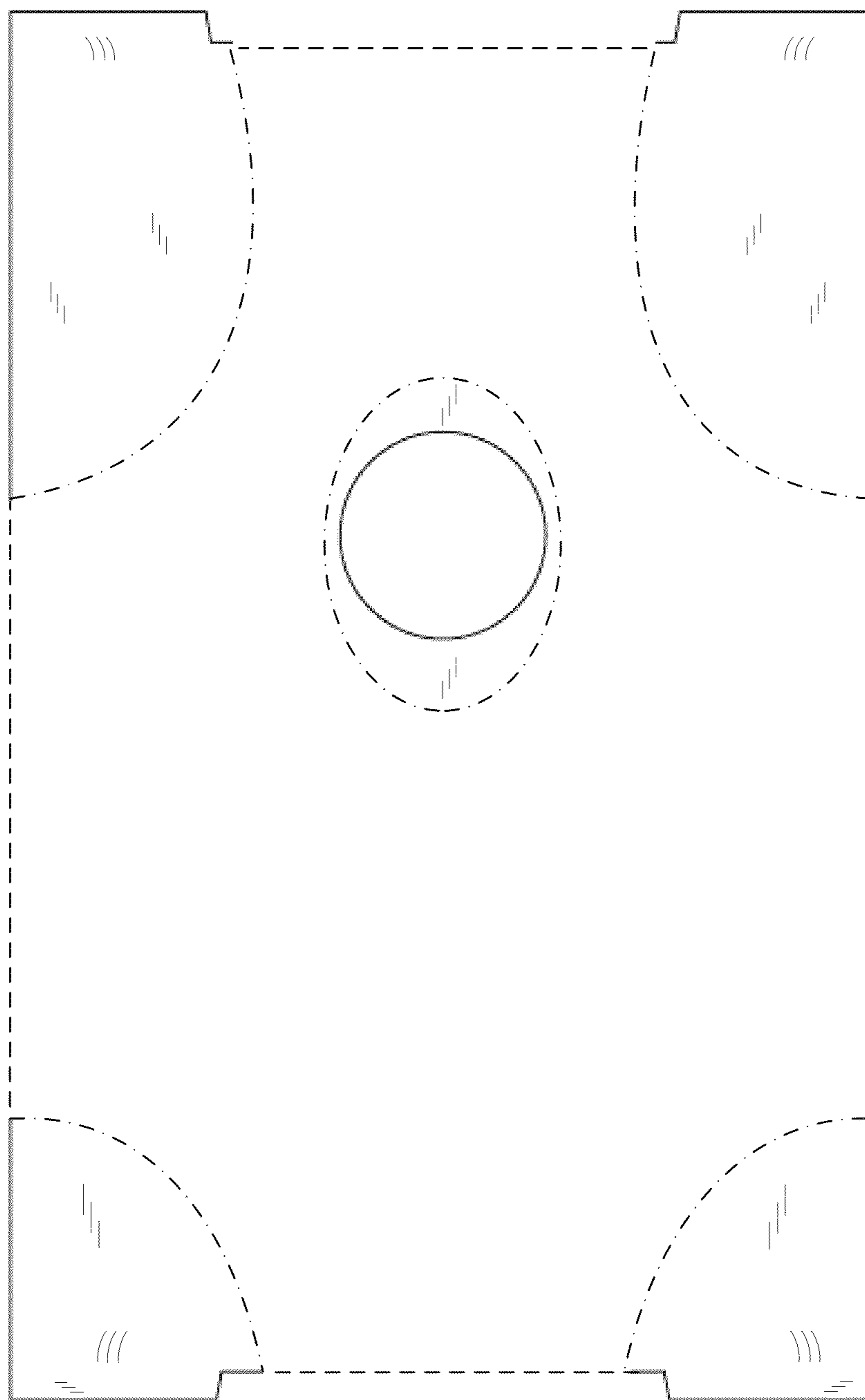


FIG. 4

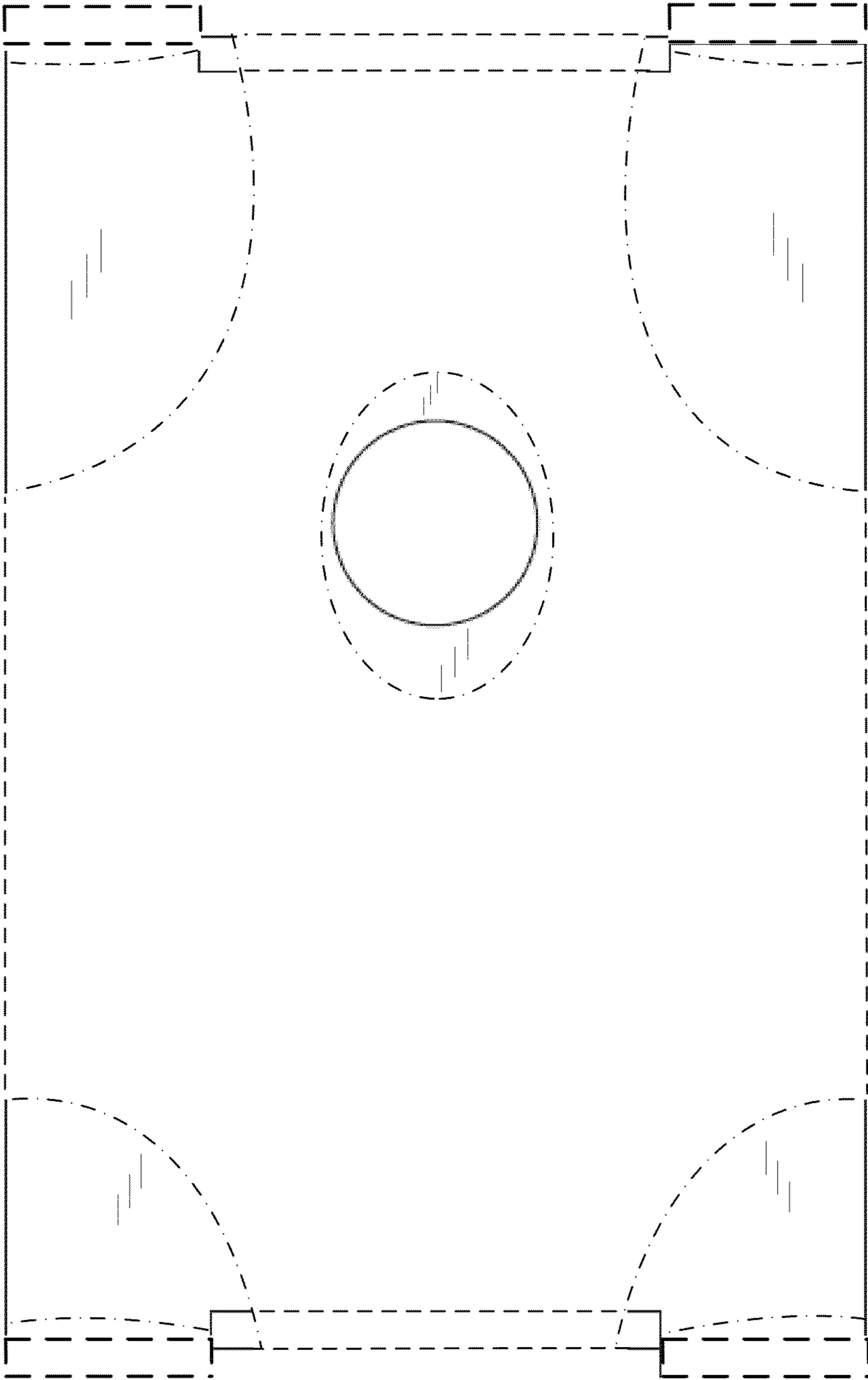


FIG. 5

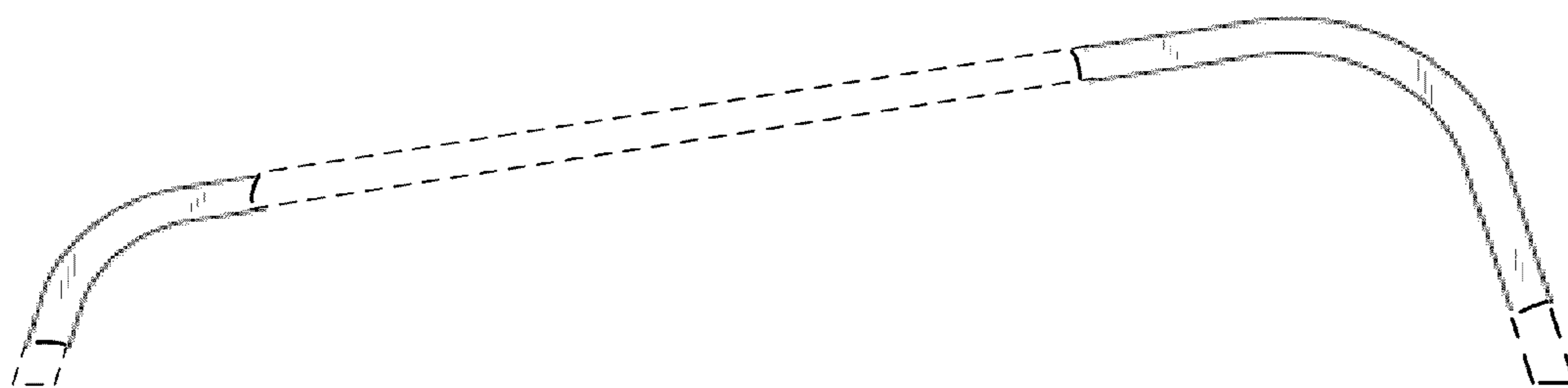


FIG. 6

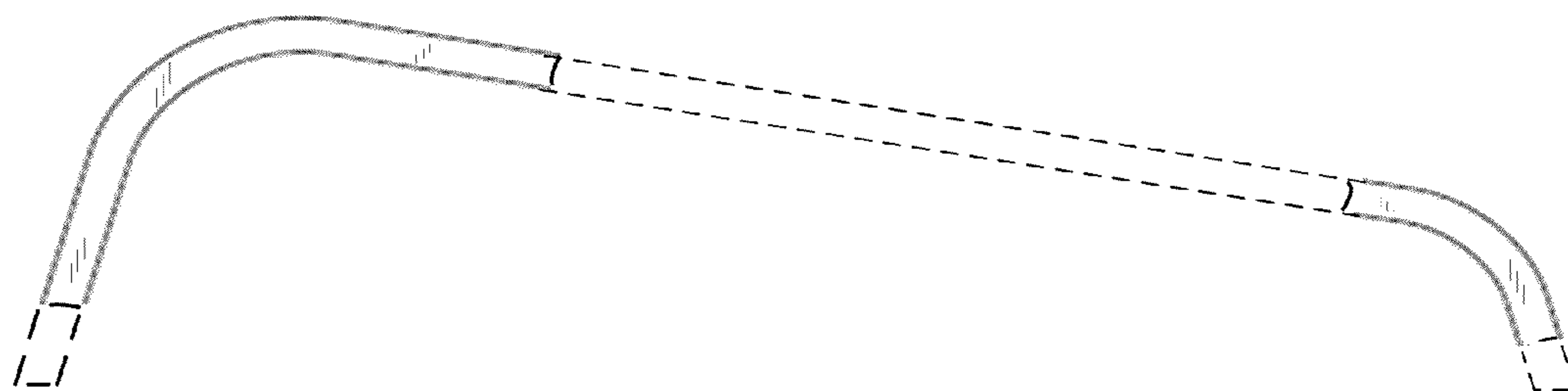


FIG. 7