



US00D726828S

(12) **United States Design Patent**
Spencer et al.

(10) **Patent No.:** **US D726,828 S**
(45) **Date of Patent:** **** Apr. 14, 2015**

(54) **THREE DIMENSIONAL DECAL**

(71) Applicant: **Cruiser Accessories, LLC**, Monument, CO (US)

(72) Inventors: **Todd Spencer**, Monument, CO (US); **Eldon Goates**, Colorado Springs, CO (US); **Bret Zelenka**, Monument, CO (US); **Michael J. Schwartz**, Colorado Springs, CO (US)

(73) Assignee: **Cruiser Accessories, LLC**, Monument, CO (US)

(**) Term: **14 Years**

(21) Appl. No.: **29/470,080**

(22) Filed: **Oct. 17, 2013**

(51) **LOC (10) Cl.** **19-08**

(52) **U.S. Cl.**
USPC **D20/11; D20/23**

(58) **Field of Classification Search**
CPC G09F 3/00; G09F 3/04; G09F 3/08; G09F 3/10; G09F 3/14; G09F 3/16; G09F 3/20; G09F 3/207; G09F 3/0288; G09F 3/0289; G09F 7/18; G09F 7/22; G09F 1/00; G09F 1/02; G09F 23/00; G09F 29/00
USPC D20/10, 11, 22-29, 40-42, 99; D19/1, D19/4, 9, 10; D24/189; D9/434, 457, 499; D5/20, 63; D14/485-495; D22/112; 40/5, 6, 124.01-124.09, 40/124.11-124.19, 124.191, 299.01, 306, 40/307, 310-313, 316, 359, 360, 625, 626, 40/63, 638, 641, 672, 675; 283/56, 71, 81, 283/101, 105; 428/40.1, 42.1-42.3, 914

See application file for complete search history.

(56) **References Cited**

U.S. PATENT DOCUMENTS

7,338,343	B2 *	3/2008	Siu et al.	446/473
D660,177	S *	5/2012	Ferenc	D9/680
D662,425	S *	6/2012	Barratt	D9/680
D683,235	S *	5/2013	Albert	D9/680
D714,066	S *	9/2014	Thuma et al.	D5/99

OTHER PUBLICATIONS

Hand Grenade Wall Art Sticker—AliExpress © 2010-2015 AliExpress.com.—retireved from the internet on Jan. 23, 2015 <http://www.aliexpress.com/item/Free-shipping-HAND-GRENADE-Wall-Art-Sticker-Decal-DIY-Home-Decoration-Wall-Mural-Removable-Bedroom-Sticker/1548577151.htm>.*
Trademark Registration No. 3992048, Jul. 12, 2011 First used in commerce—Oct. 1, 2008 (Registrant) Grenade, Inc. Corporation Oregon.*

* cited by examiner

Primary Examiner — Mary Ann Calabrese

(74) *Attorney, Agent, or Firm* — Linda Flewellen Gould

(57) **CLAIM**

The ornamental design for a three dimensional decal, as shown and described.

DESCRIPTION

FIG. 1 is a front view showing our new design for a three dimensional decal.
FIG. 2 is a top view of the three dimensional decal of the present invention.
FIG. 3 is a right side view of the three dimensional decal of the present invention.
FIG. 4 is a bottom view of the three dimensional decal of the present invention.
FIG. 5 is a perspective front and top view of the three dimensional decal of the present invention; and,
FIG. 6 is a perspective back and top view of the three dimensional decal of the present invention.

1 Claim, 2 Drawing Sheets

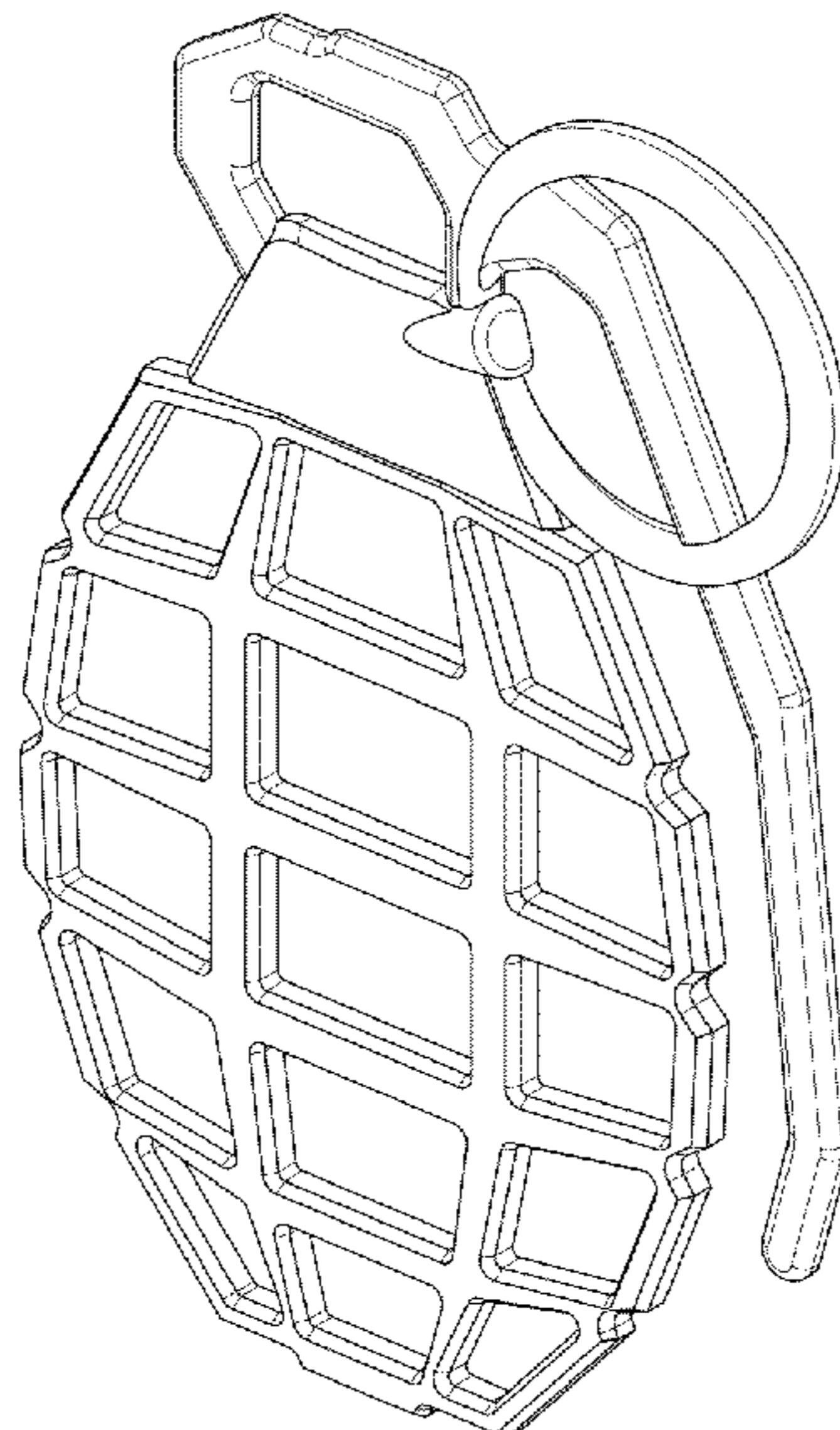




Figure 2

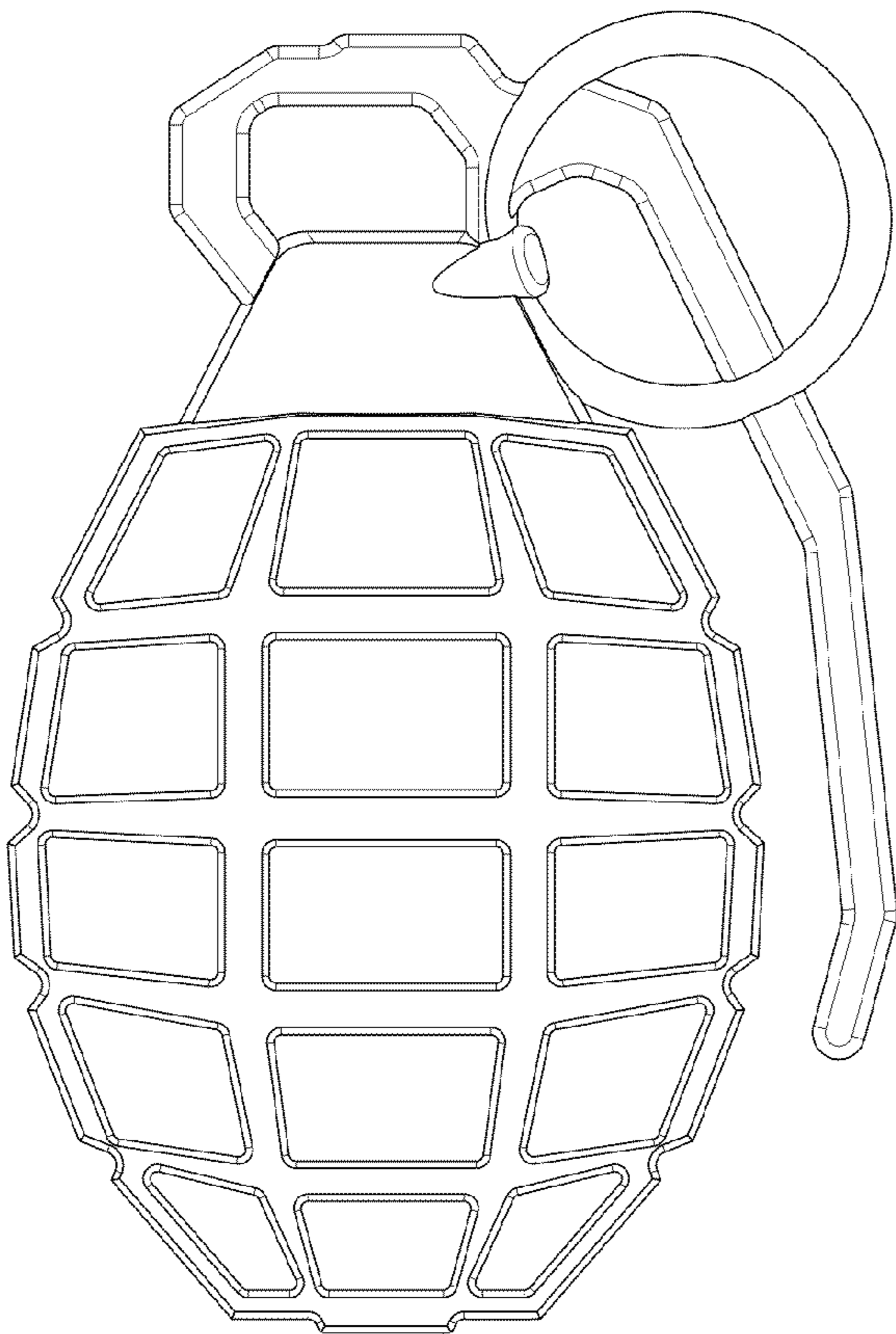


Figure 1



Figure 3

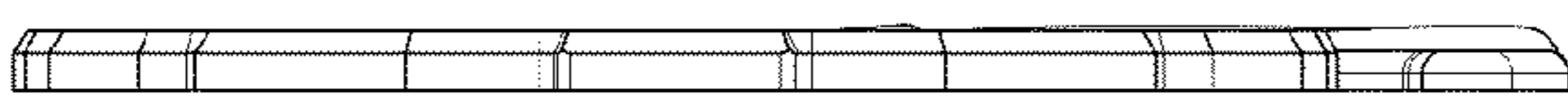


Figure 4

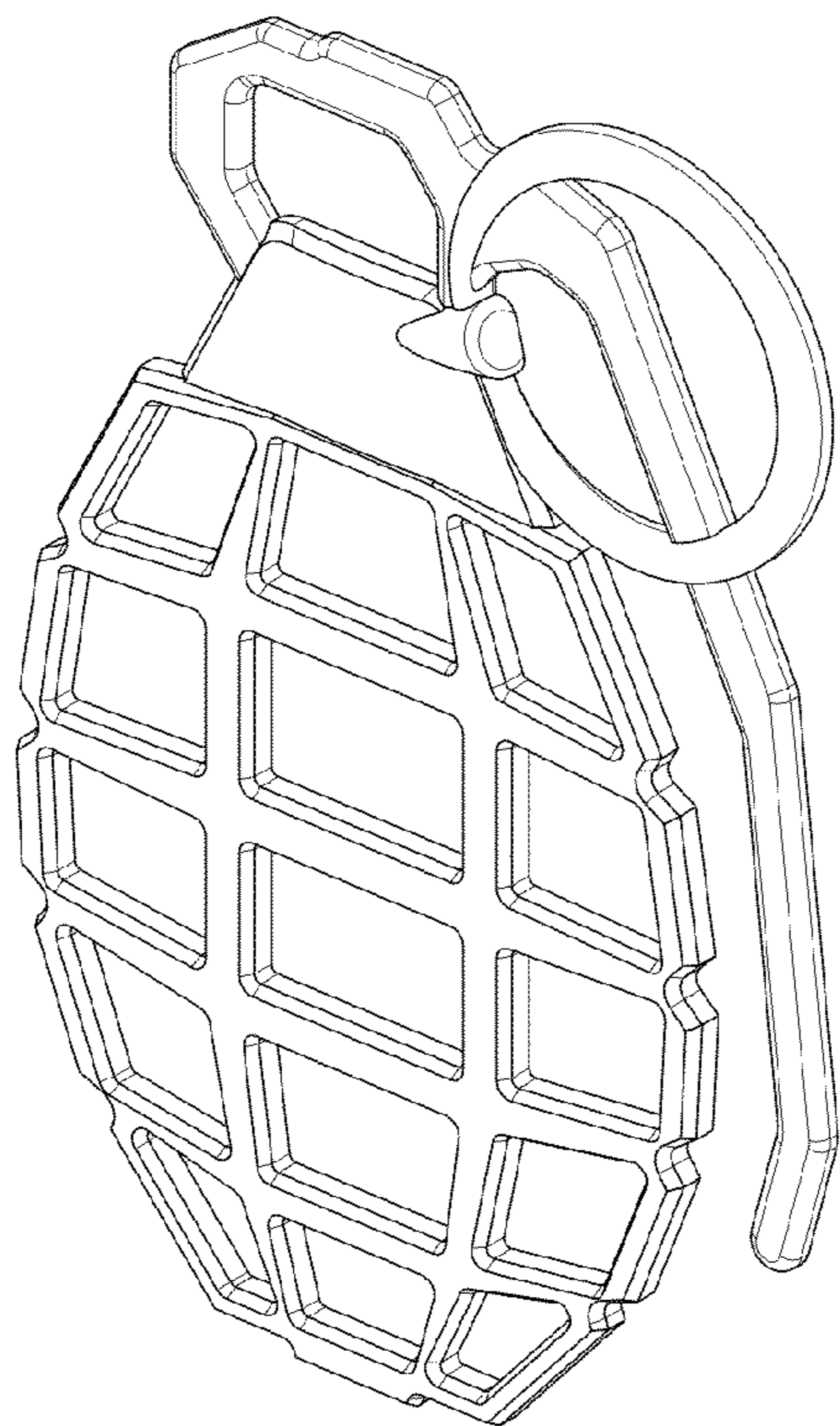


Figure 5

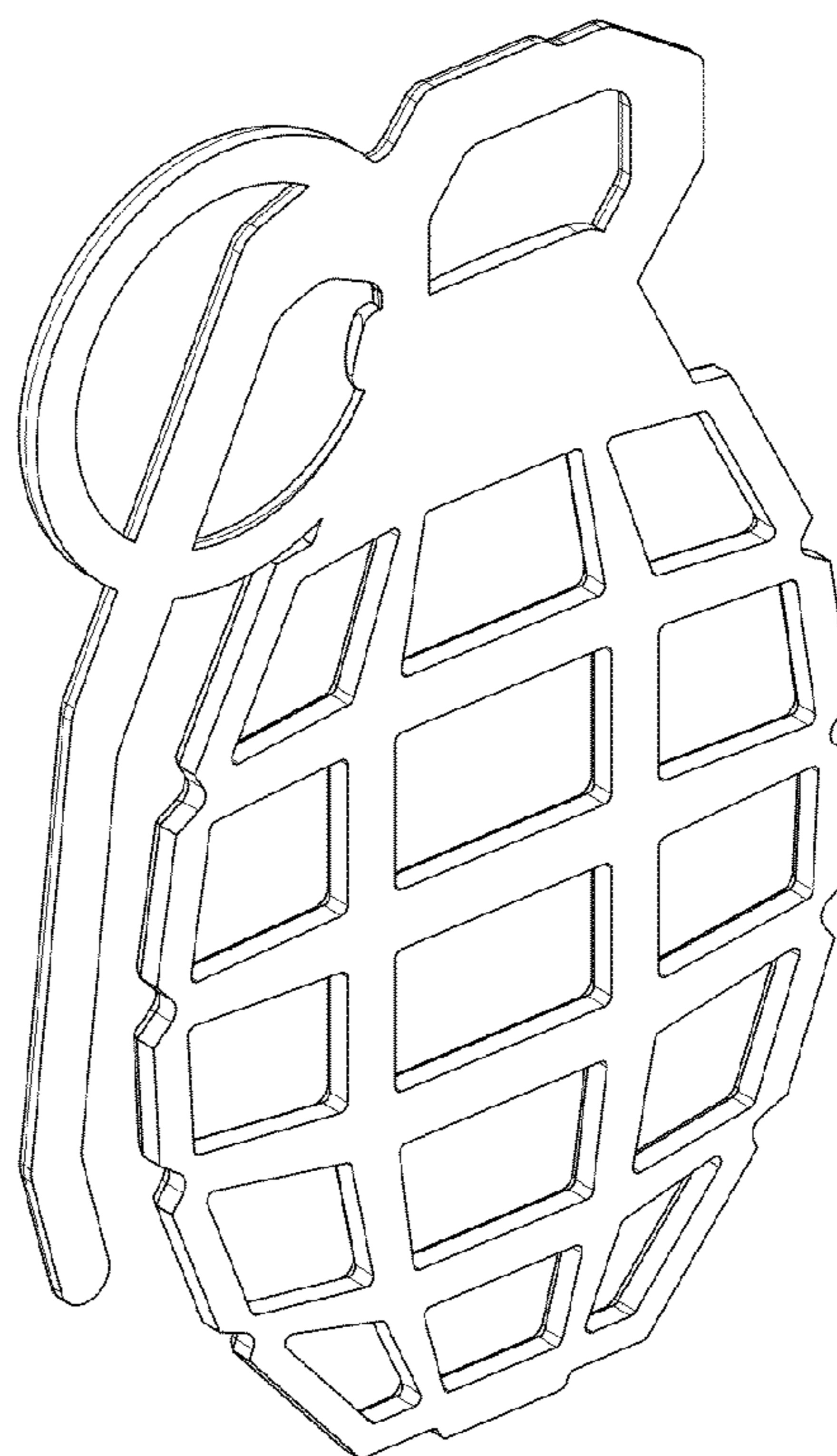


Figure 6