



US00D726827S

(12) **United States Design Patent**  
**Togano**

(10) **Patent No.:** **US D726,827 S**  
(45) **Date of Patent:** **\*\* Apr. 14, 2015**

(54) **DOCUMENT VALIDATOR WITH STACKER**  
(71) Applicant: **Japan Cash Machine Co., Ltd.**, Osaka (JP)  
(72) Inventor: **Keiichi Togano**, Tokyo (JP)  
(73) Assignee: **Japan Cash Machine Co., Ltd.**, Osaka (JP)

6,202,823 B1 \* 3/2001 Howard et al. .... 194/350  
D476,688 S \* 7/2003 Yu ..... D20/8  
6,981,698 B2 \* 1/2006 Yamamiya et al. .... 271/10.01  
D614,237 S \* 4/2010 Hagiwara et al. .... D20/8  
D623,694 S \* 9/2010 Tomiyoshi et al. .... D20/8  
7,837,095 B2 \* 11/2010 Clauser et al. .... 235/379  
8,215,634 B2 \* 7/2012 Nireki ..... 271/147  
8,783,552 B2 \* 7/2014 Xu et al. .... 232/1 D

(Continued)

(\*\*) Term: **14 Years**

(21) Appl. No.: **29/449,135**

(22) Filed: **Mar. 14, 2013**

(30) **Foreign Application Priority Data**

Oct. 1, 2012 (JP) ..... 2012-23951

(51) **LOC (10) Cl.** ..... **20-01**

(52) **U.S. Cl.**  
USPC ..... **D20/8**

(58) **Field of Classification Search**  
CPC ..... G07F 7/04; G07F 9/02; G07F 11/00;  
G07F 11/165; G07F 11/026; G07F 11/06;  
G07F 11/24; G07F 11/62; G07F 11/045;  
G07D 11/00; G07D 11/006; G07D 11/0021;  
G07D 2201/00; G07D 2211/00  
USPC ..... D20/1-9; D18/3.2, 3.3, 12.1; D99/28;  
194/236, 239, 302, 350; 235/379, 381;  
232/1 D, 7, 10, 12, 43.2, 64; 271/10.01,  
271/147; 221/6, 12, 13, 110, 123, 124, 140,  
221/150 R, 150 A, 150 HC, 155, 156, 159,  
221/190, 231, 251, 311

See application file for complete search history.

(56) **References Cited**

**U.S. PATENT DOCUMENTS**

D288,377 S \* 2/1987 Kobayashi et al. .... D20/9  
D360,227 S \* 7/1995 Dabrowski ..... D20/8

**FOREIGN PATENT DOCUMENTS**

JP D1255772 11/2005  
JP D1285437 6/2006

(Continued)

**OTHER PUBLICATIONS**

Russian Office action for Application No. 2013501149 dated Nov. 8, 2013.

(Continued)

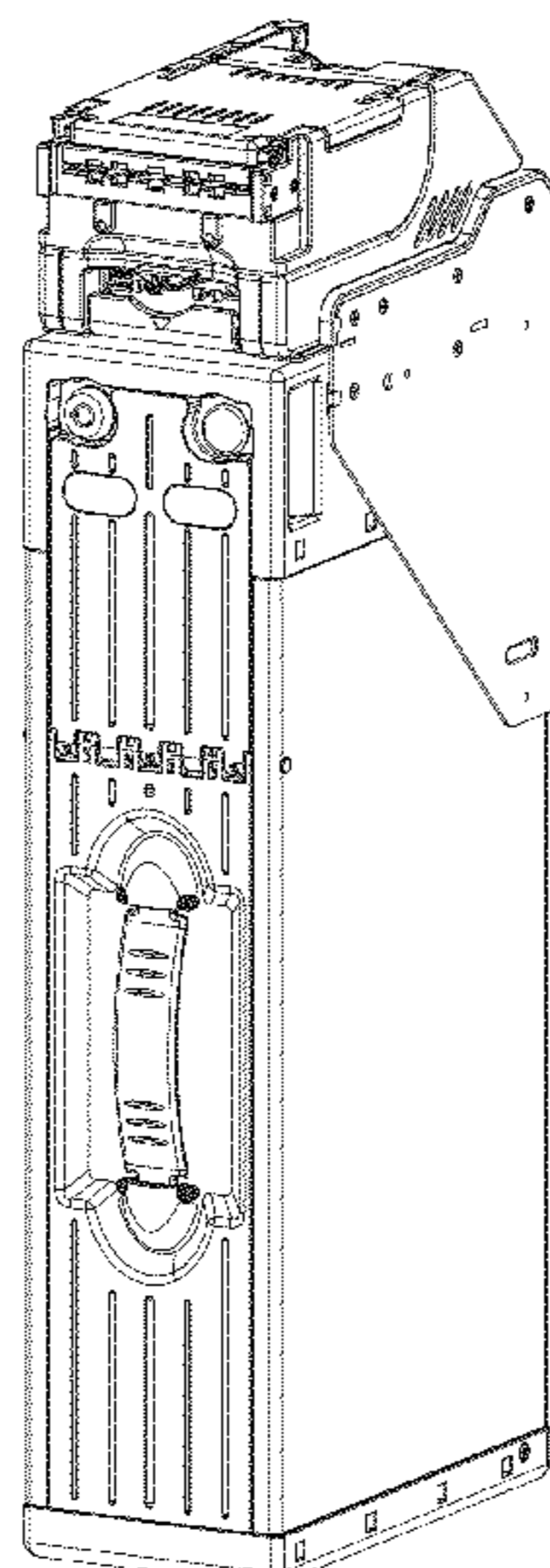
*Primary Examiner* — Mary Ann Calabrese  
(74) *Attorney, Agent, or Firm* — Bachman & LaPointe, P.C.

(57) **CLAIM**  
The ornamental design of a document validator with a stacker, as shown and described.

**DESCRIPTION**

FIG. 1 is a front elevation view of the document validator with the stacker according to the new design;  
FIG. 2 is a rear elevation view;  
FIG. 3 is a right side elevation view;  
FIG. 4 is a left side elevation view;  
FIG. 5 is a plan view;  
FIG. 6 is a bottom view;  
FIG. 7 is a front perspective view from the right upper side; and,  
FIG. 8 is a rear perspective view from the left upper side.

**1 Claim, 7 Drawing Sheets**



(56)

**References Cited**

U.S. PATENT DOCUMENTS

2005/0006198 A1\* 1/2005 Yoshioka et al. .... 194/302  
2008/0099547 A1\* 5/2008 Androsyuk et al. .... 232/13

FOREIGN PATENT DOCUMENTS

JP D1449074 8/2012  
RU D75511 S 7/2010

TW D132889 1/2010  
TW D134311 4/2010  
TW D136117 S1 8/2010

OTHER PUBLICATIONS

Taiwanese Office action and search report for Application No.  
102302181, dated Nov. 14, 2013.

\* cited by examiner

FIG. 1

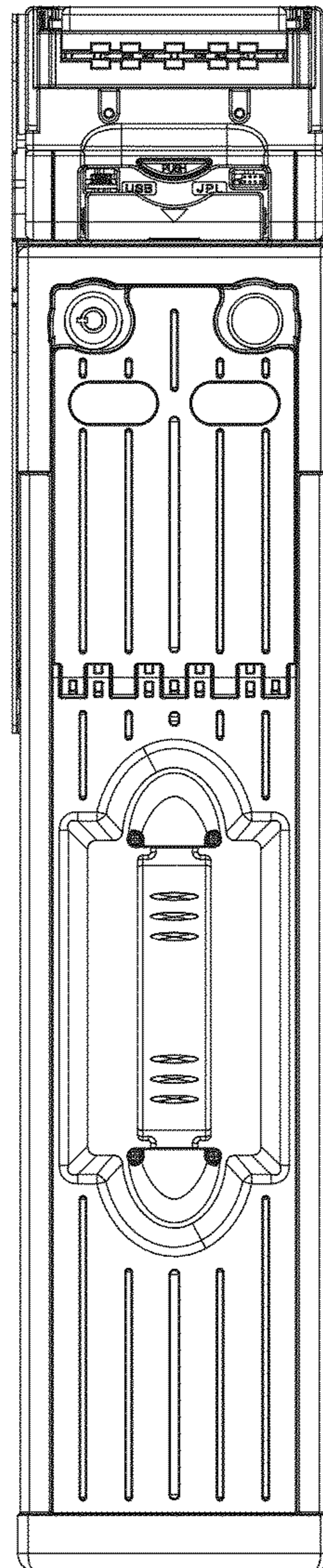


FIG. 2

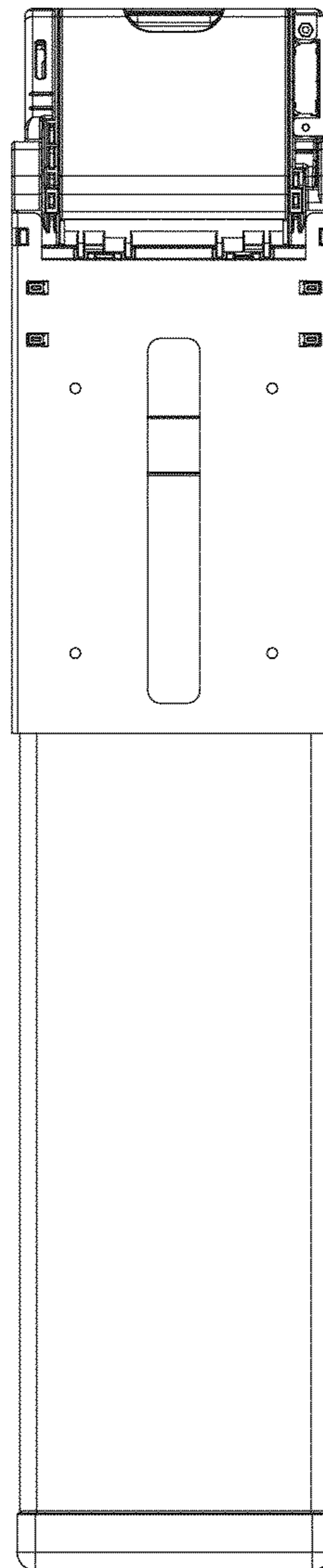


FIG. 3

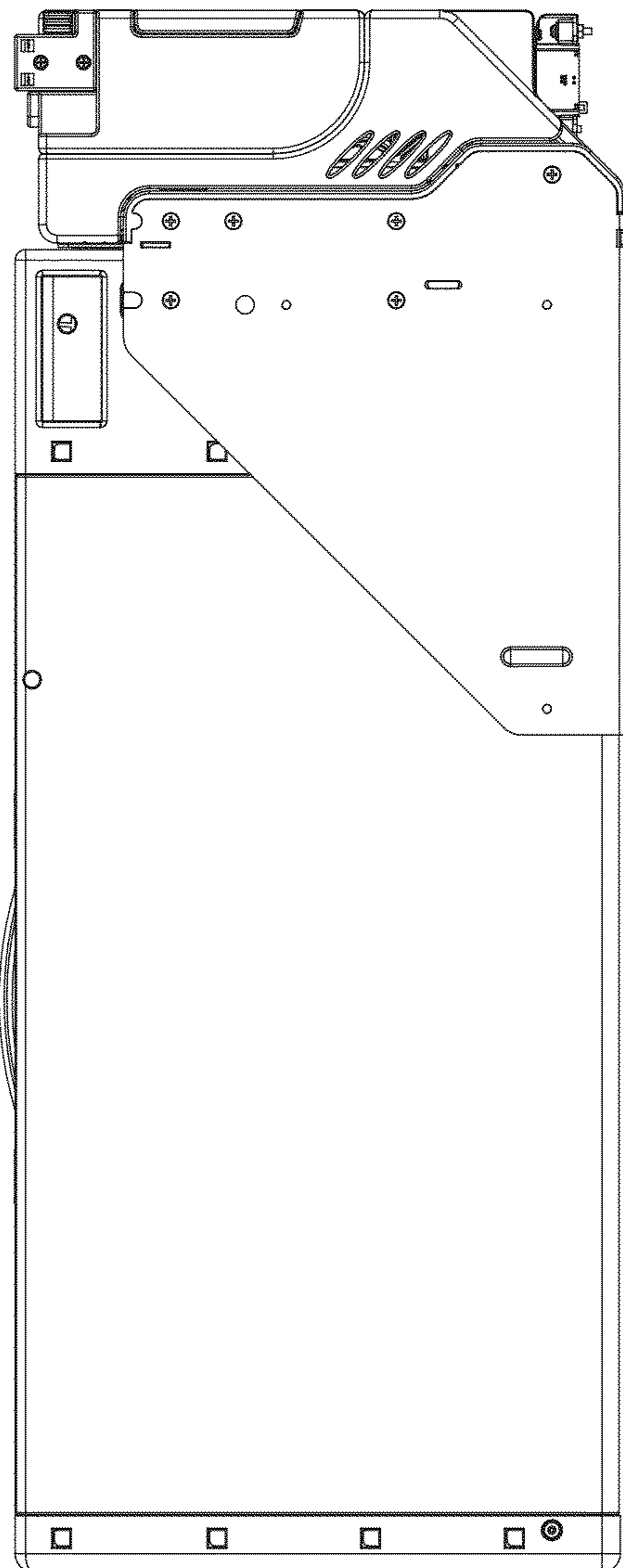


FIG. 4

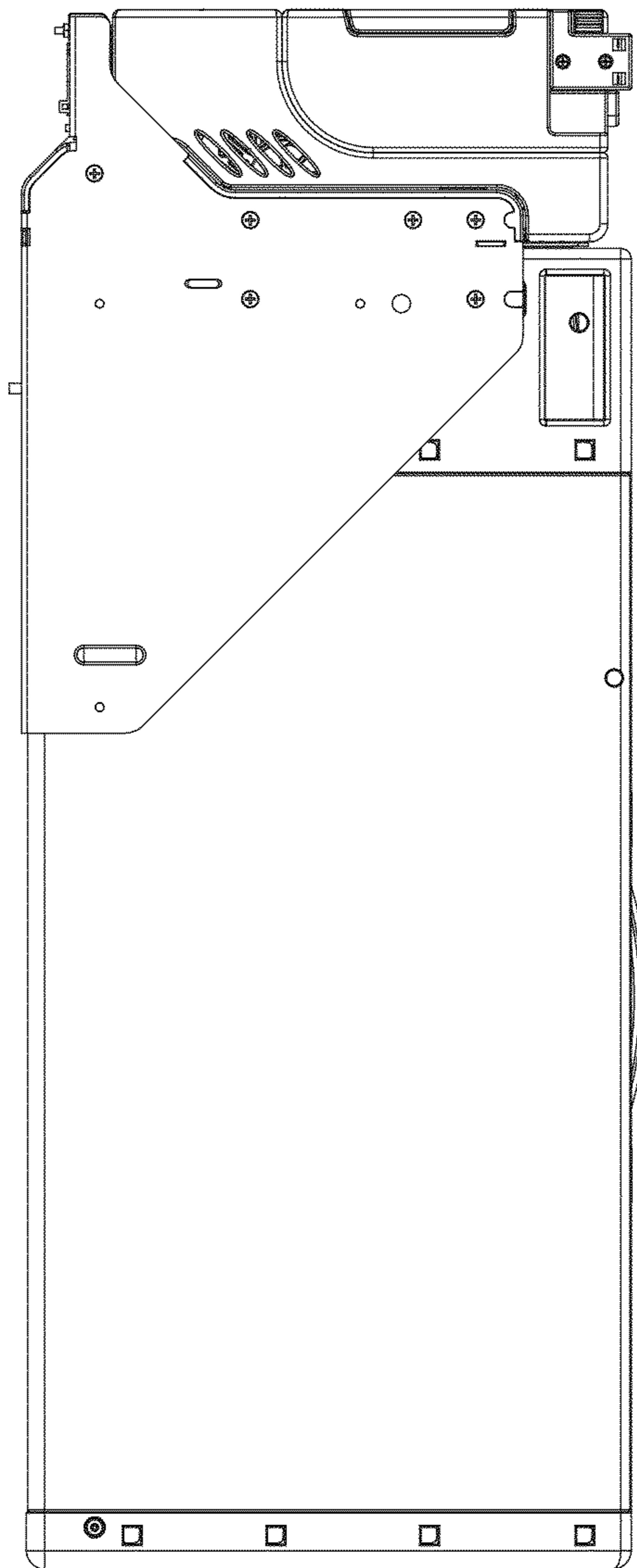


FIG. 5

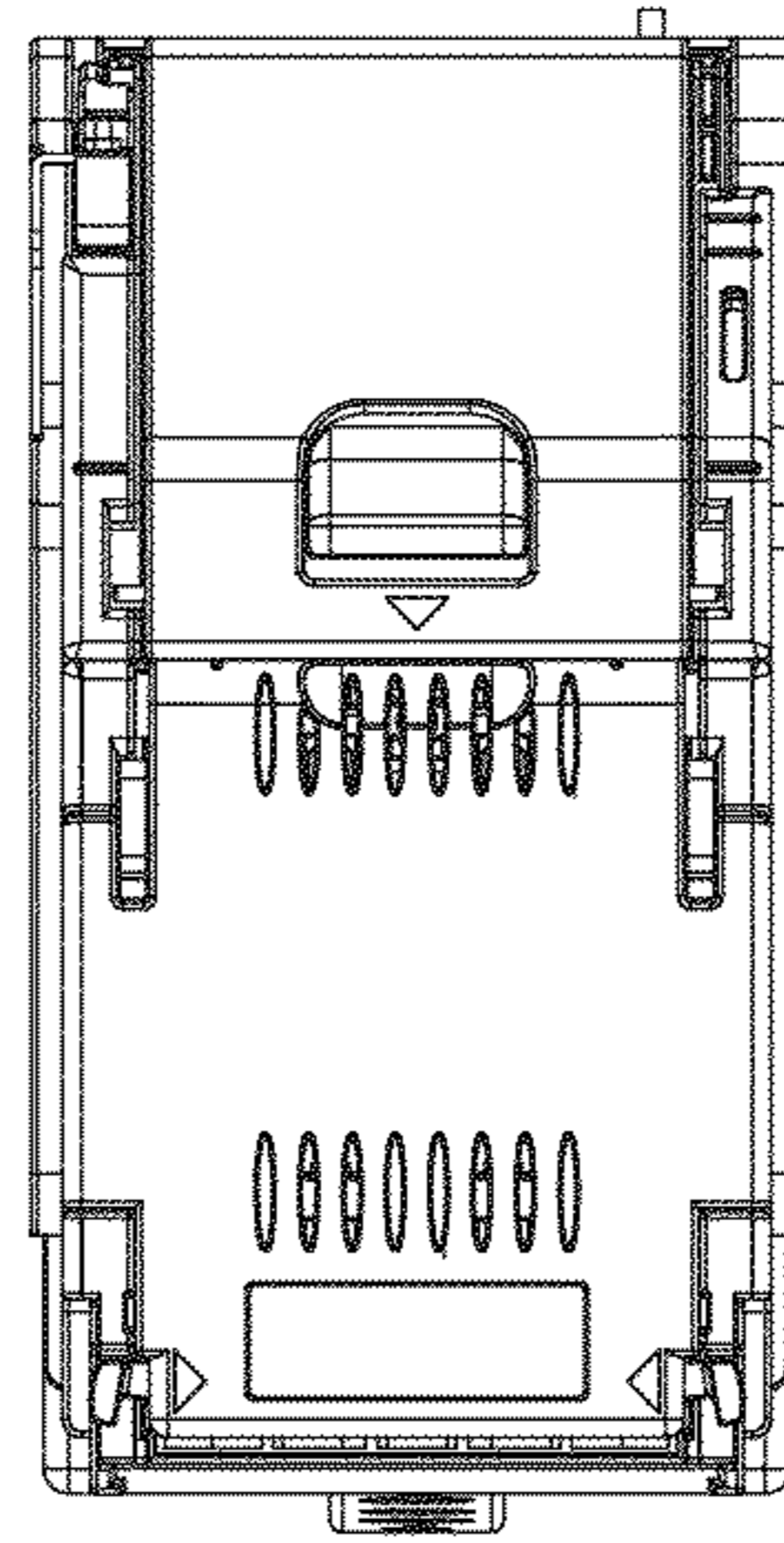


FIG. 6

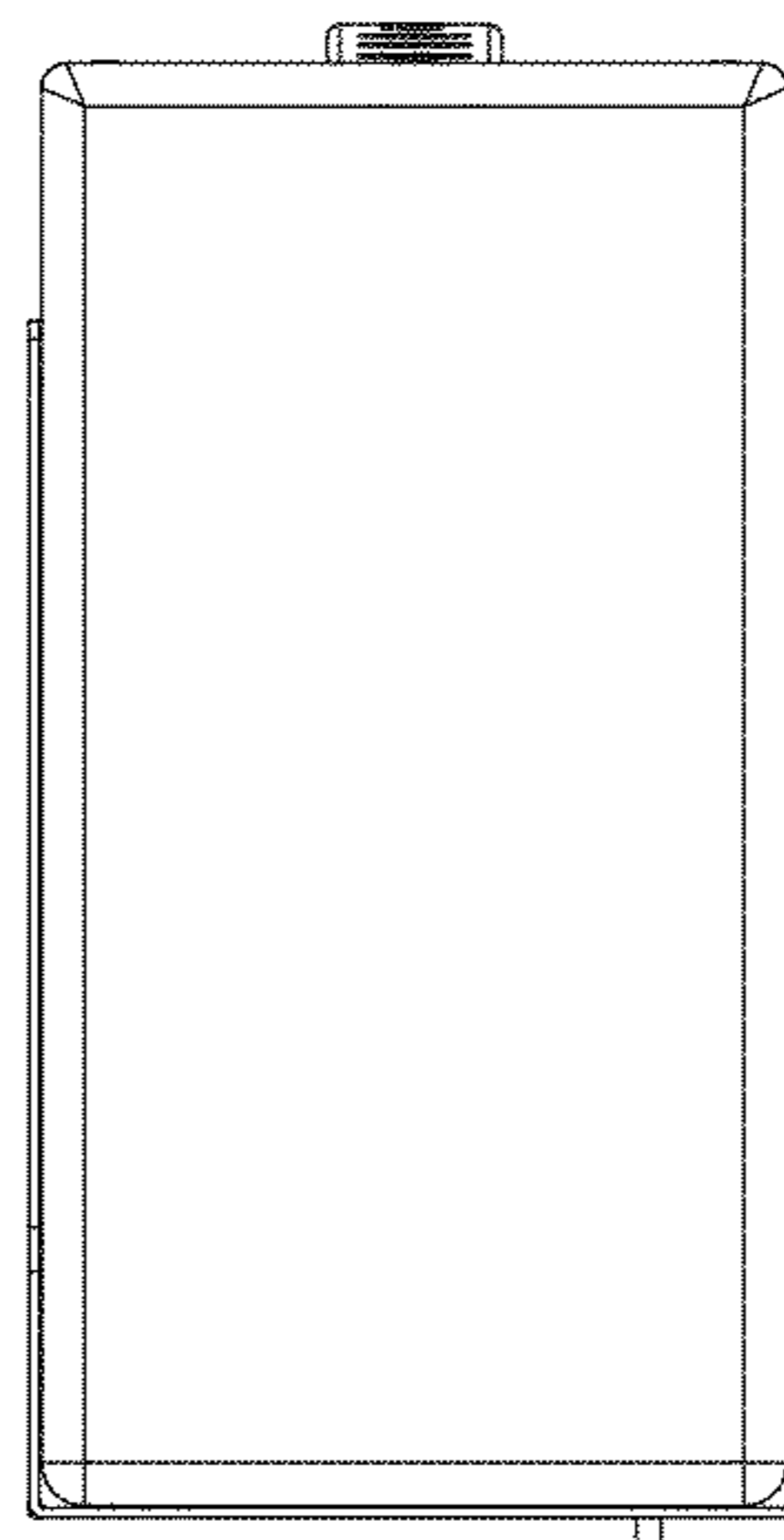


FIG. 7

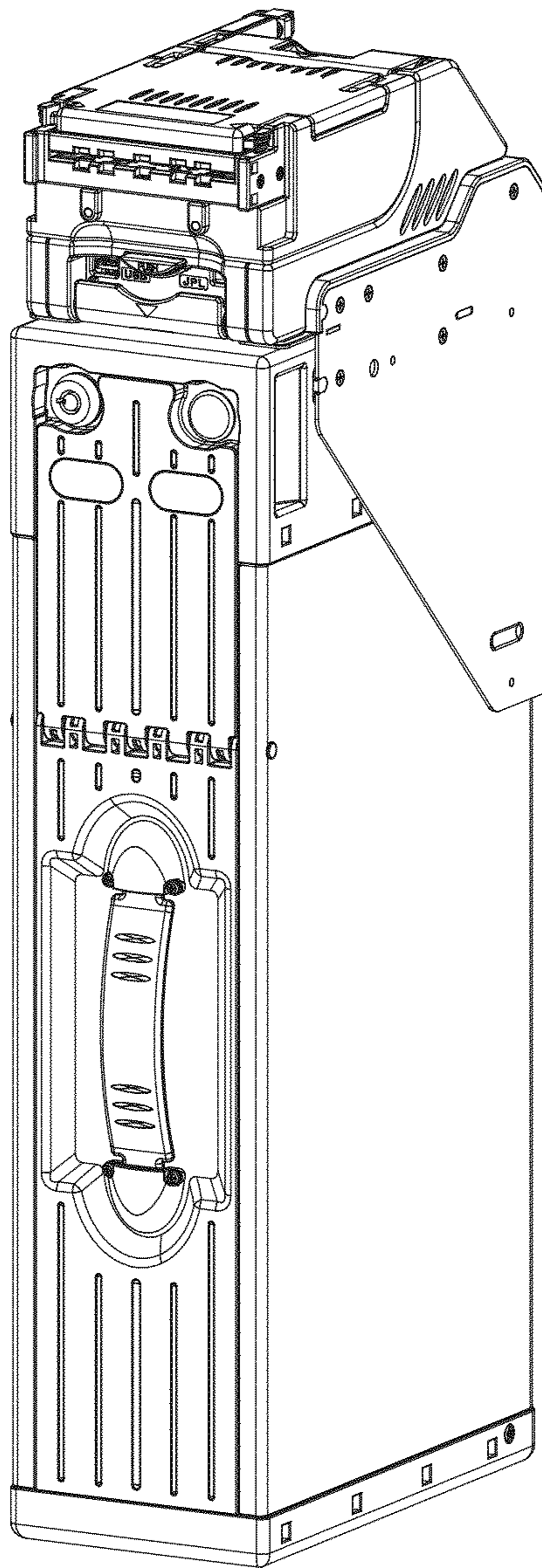




FIG. 8

