



US00D726823S

(12) **United States Design Patent**
André

(10) **Patent No.:** **US D726,823 S**
(45) **Date of Patent:** **** Apr. 14, 2015**

(54) **BUILDING BLOCK PEN**

(71) Applicant: **Intermed Asia Limited**, Hung Hom,
Kowloon (HK)

(72) Inventor: **Olivier André**, Pok Fu Lam (HK)

(73) Assignee: **Intermed Asia Limited**, Hung Hom,
Kowloon (HK)

(**) Term: **14 Years**

(21) Appl. No.: **29/478,506**

(22) Filed: **Jan. 6, 2014**

(30) **Foreign Application Priority Data**

Jul. 16, 2013 (CN) 2013 3 0332424

(51) **LOC (10) Cl.** **19-06**

(52) **U.S. Cl.**
USPC **D19/136; D19/901; D19/904**

(58) **Field of Classification Search**
USPC D14/411; D19/115-204; 24/11 F, 11 P,
24/11 R; 401/52, 99-109, 192, 195, 196;
D21/484, 486, 491, 499, 500
See application file for complete search history.

(56) **References Cited**

U.S. PATENT DOCUMENTS

D246,927 S *	1/1978	Christiansen	D21/486
D252,909 S *	9/1979	Bayly	D9/640
D252,979 S *	9/1979	Bayly	D9/640
D252,981 S *	9/1979	Fenton	D9/640
D257,462 S *	10/1980	Bayly	D9/640

4,249,336 A *	2/1981	Moe et al.	446/102
D290,627 S *	6/1987	Dideriksen	D21/486
D308,706 S *	6/1990	Mikkelsen	D21/486
D325,757 S *	4/1992	Pagel	D21/500
D355,453 S *	2/1995	Glynn	D21/486
D355,681 S *	2/1995	Glynn	D21/486
D374,258 S *	10/1996	Schmidt et al.	D21/486
D378,838 S *	4/1997	Olsen et al.	D21/486
D389,408 S *	1/1998	Rask et al.	D9/451
D426,588 S *	6/2000	Glickman	D21/503
6,461,215 B1 *	10/2002	Kunz et al.	446/107
D527,467 S *	8/2006	Telford	D25/114
D553,202 S *	10/2007	Glickman et al.	D21/486
D639,338 S *	6/2011	Hung	D19/41
D652,087 S *	1/2012	Dawes	D21/489
D686,676 S *	7/2013	Telford	D21/501
D714,383 S *	9/2014	Andre	D19/136

* cited by examiner

Primary Examiner — Elizabeth Albert

(74) *Attorney, Agent, or Firm* — Merchant & Gould P.C.

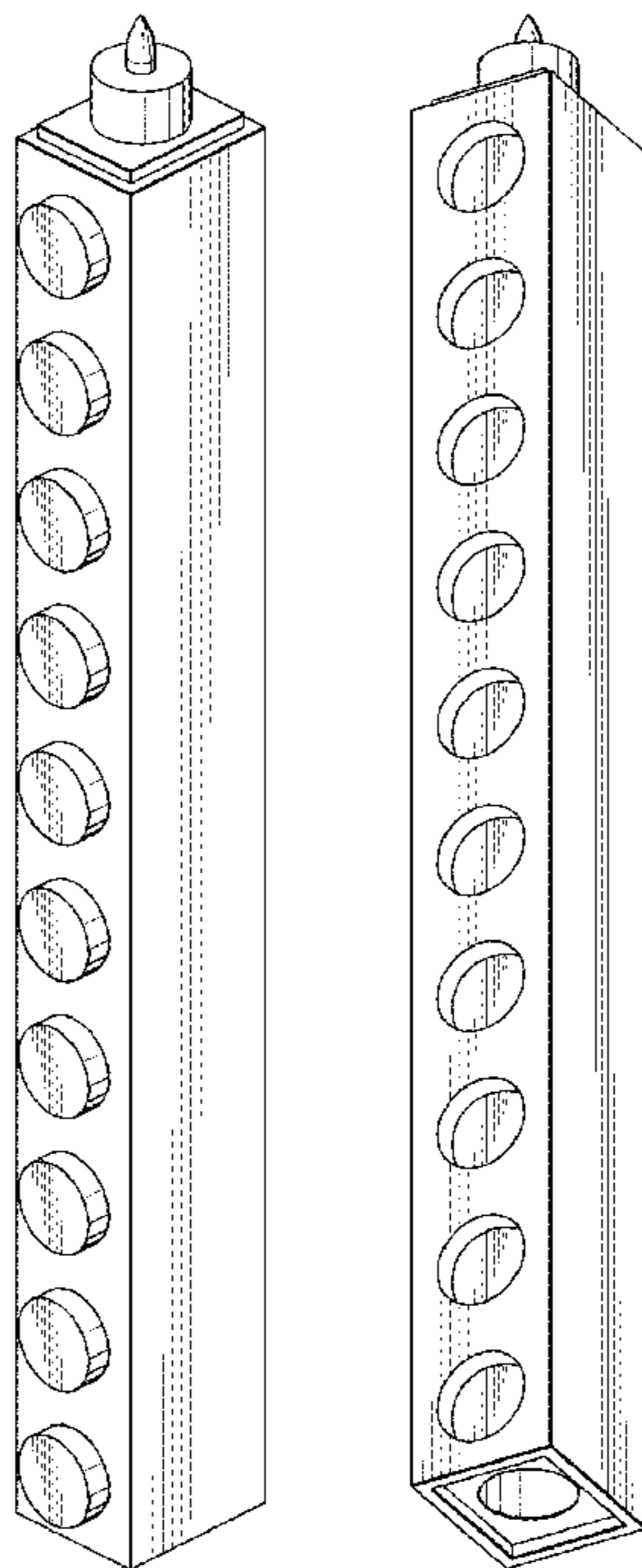
(57) **CLAIM**

The ornamental design for a building block pen, as shown and described.

DESCRIPTION

FIG. 1 is a front perspective view of a building block pen showing my new design;
FIG. 2 is a rear perspective view thereof;
FIG. 3 is a front view thereof;
FIG. 4 is a right side view thereof, a left side view not being shown as it is a mirror image of the right side view;
FIG. 5 is a rear view thereof;
FIG. 6 is a top view thereof; and,
FIG. 7 is a bottom view thereof.

1 Claim, 3 Drawing Sheets



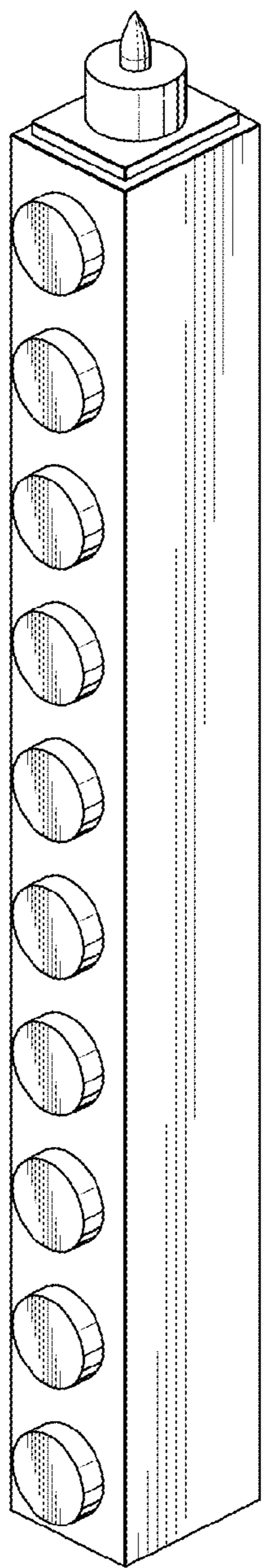


FIG. 1

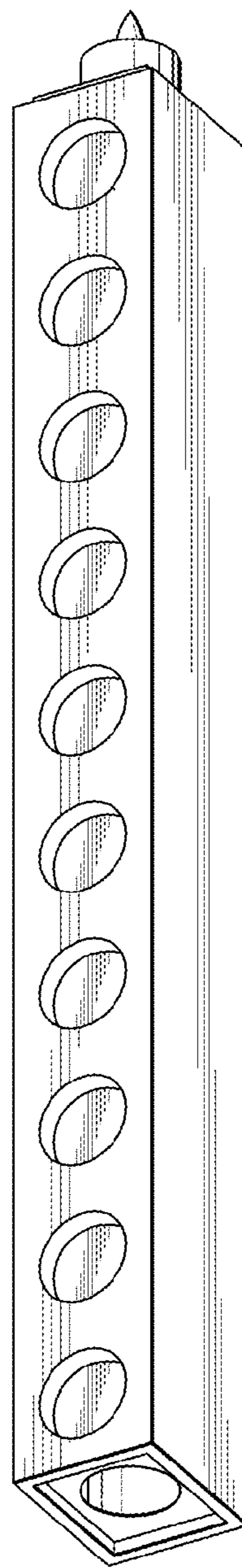


FIG. 2

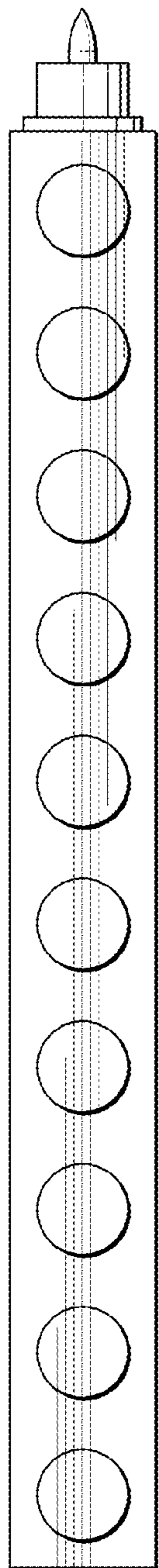


FIG. 3

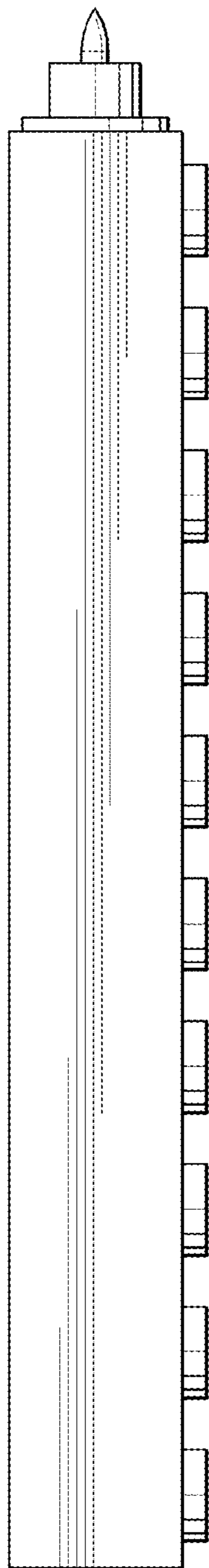


FIG. 4

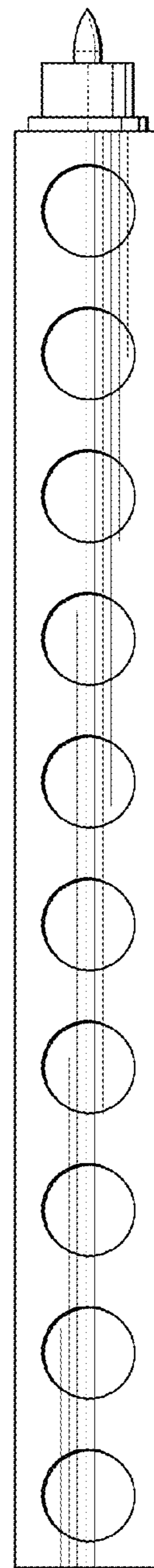


FIG. 5

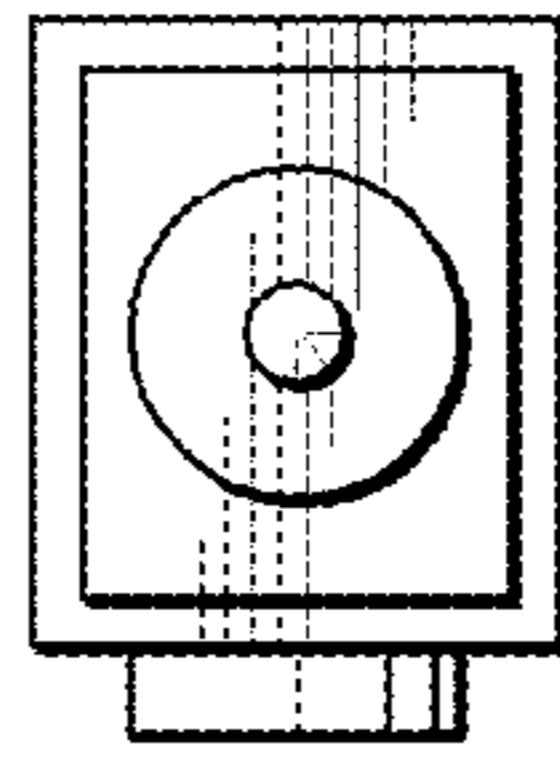


FIG. 6

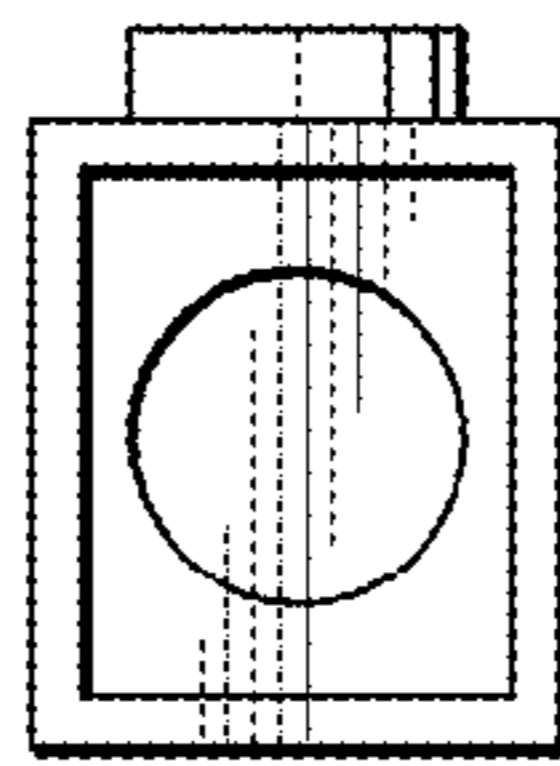


FIG. 7