



US00D726819S

(12) **United States Design Patent**
Botha et al.

(10) **Patent No.:** **US D726,819 S**
(45) **Date of Patent:** **** Apr. 14, 2015**

(54) **STORAGE BOX**

(71) Applicant: **Pathway IP SARL**, Luxembourg (LU)

(72) Inventors: **Eugene Botha**, Waterkloof Pretoria (ZA); **Andre Sharpe**, Chavannes-des-Bois (CH)

(73) Assignee: **Pathway IP SARL**, Luxembourg (LU)

(**) Term: **14 Years**

(21) Appl. No.: **29/479,936**

(22) Filed: **Jan. 22, 2014**

(30) **Foreign Application Priority Data**

Oct. 10, 2013 (WO) WIPO33325

(51) **LOC (10) Cl.** **19-02**

(52) **U.S. Cl.**
USPC **D19/75**

(58) **Field of Classification Search**
USPC D3/206, 272, 297, 901, 905; D6/567, D6/632, 633, 634, 705; D9/414, 423, 432, D9/433; D19/75, 77-85, 91; 206/214, 425, 206/449; D20/10, 19
See application file for complete search history.

(56) **References Cited**

U.S. PATENT DOCUMENTS

476,576	A *	6/1892	Tate	206/215
715,127	A *	12/1902	Norton	206/215
2,389,788	A *	11/1945	Lathrop	132/312
2,426,856	A *	9/1947	Berg	229/122
2,972,507	A *	2/1961	McCay	312/309
3,211,359	A *	10/1965	Fickes	206/424
D222,402	S *	10/1971	Burnhill	D9/737
3,648,918	A *	3/1972	Van Inwagen	229/125.125
D240,579	S *	7/1976	Bower	D6/407
D267,332	S *	12/1982	Pirovano et al.	D19/85
4,609,104	A *	9/1986	Kasper et al.	206/524.2
4,744,376	A *	5/1988	Verducci	132/297

D305,281	S *	1/1990	Chen	D28/76
D308,756	S *	6/1990	Turner	D3/275
D351,080	S *	10/1994	Sykes et al.	D6/629
D383,064	S *	9/1997	Tsukikawa	D9/432
D383,641	S *	9/1997	Maton	D7/354
D393,003	S *	3/1998	Nichols	D19/85
D448,307	S *	9/2001	Handler	D9/564
6,491,211	B1 *	12/2002	Evans et al.	229/102
D473,681	S *	4/2003	Thorpe	D28/83
D505,518	S *	5/2005	Benjamin et al.	D28/83
D564,133	S *	3/2008	Boye et al.	D28/83
D594,742	S *	6/2009	Meier et al.	D9/432
D621,259	S *	8/2010	Joy et al.	D9/444
D639,014	S *	5/2011	Eustis	D34/39
D656,679	S *	3/2012	Lai	D28/83
D688,420	S *	8/2013	Lai	D28/83
D707,087	S *	6/2014	Joy	D7/624.2
8,746,444	B2 *	6/2014	Dehlin	206/1.5
2009/0057257	A1 *	3/2009	Marcus et al.	215/11.6
2009/0071867	A1 *	3/2009	Au	206/581

* cited by examiner

Primary Examiner — Elizabeth Albert

(74) *Attorney, Agent, or Firm* — Wood, Herron & Evans, LLP

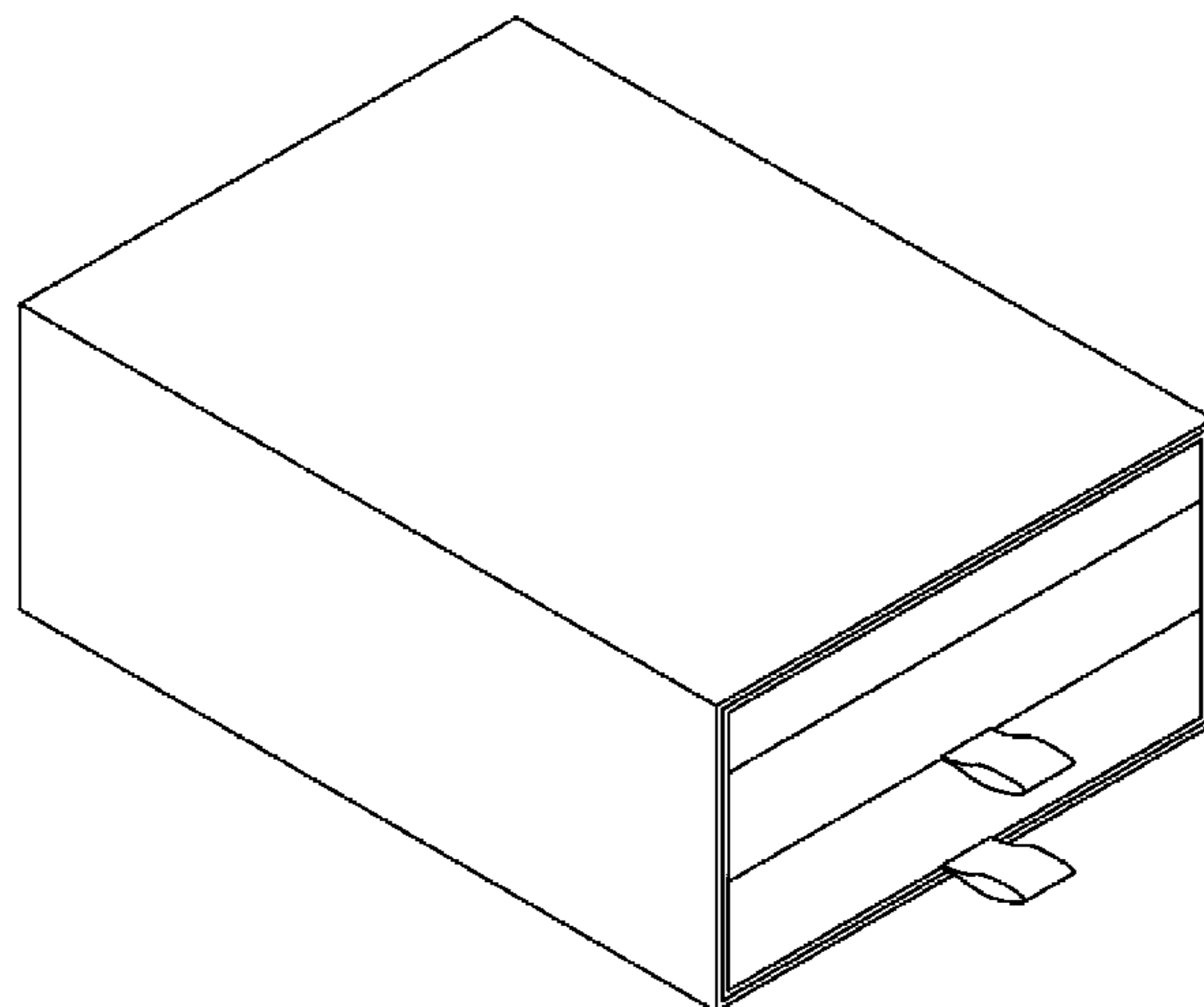
(57) **CLAIM**

The ornamental design for a storage box, as shown and described.

DESCRIPTION

FIG. 1 is a perspective view of a storage box showing our new design;
FIG. 2 is a front view of FIG. 1;
FIG. 3 is a left side view of FIG. 1; the right side view being a mirror image of the left side view;
FIG. 4 is a rear view of FIG. 1;
FIG. 6 is a perspective view of FIG. 1 in an alternate position;
FIG. 7 is a perspective view of FIG. 1 in another alternate position; and,
FIG. 8 is a perspective view of FIG. 1 in still another alternate position.

1 Claim, 5 Drawing Sheets



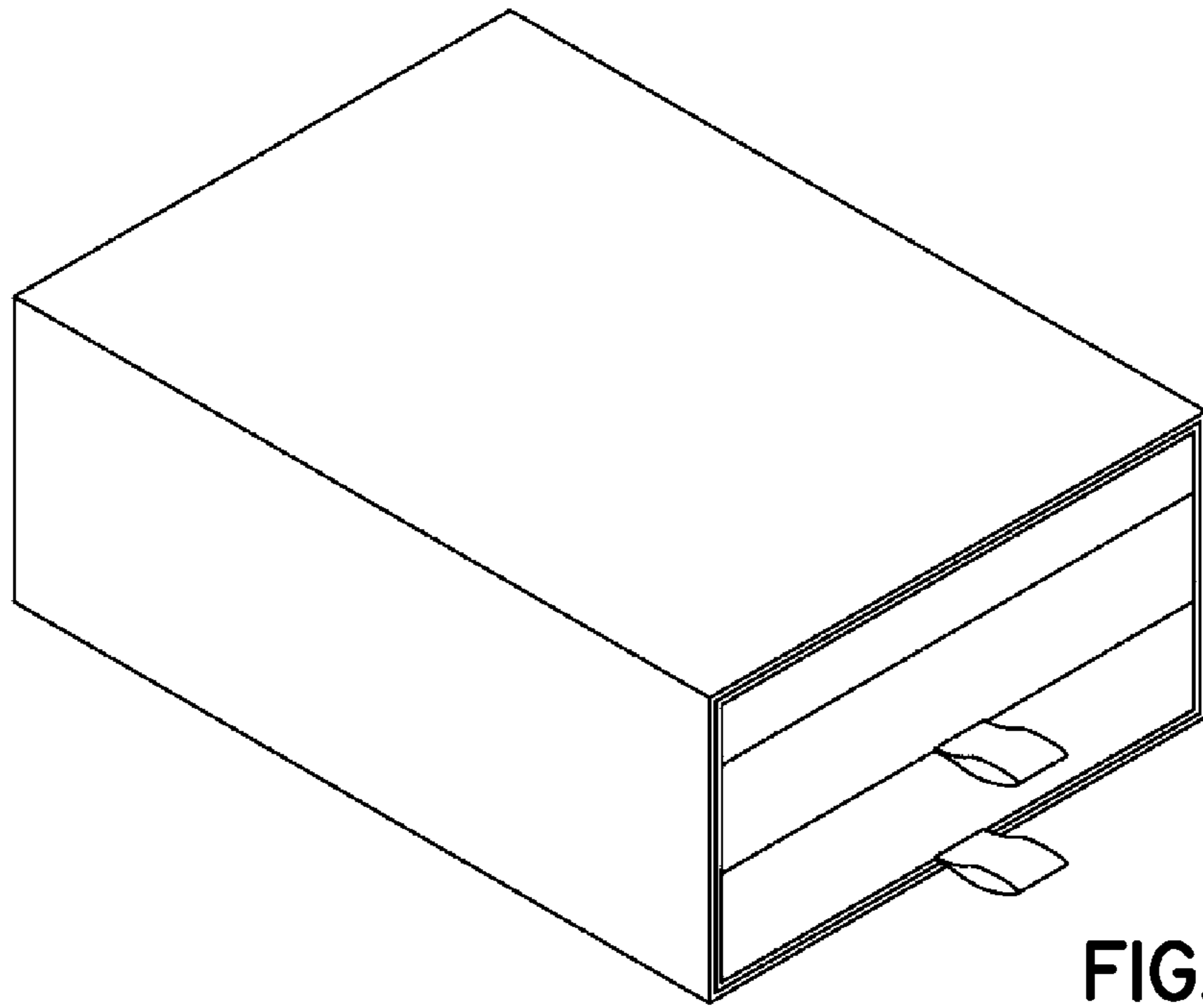


FIG. 1

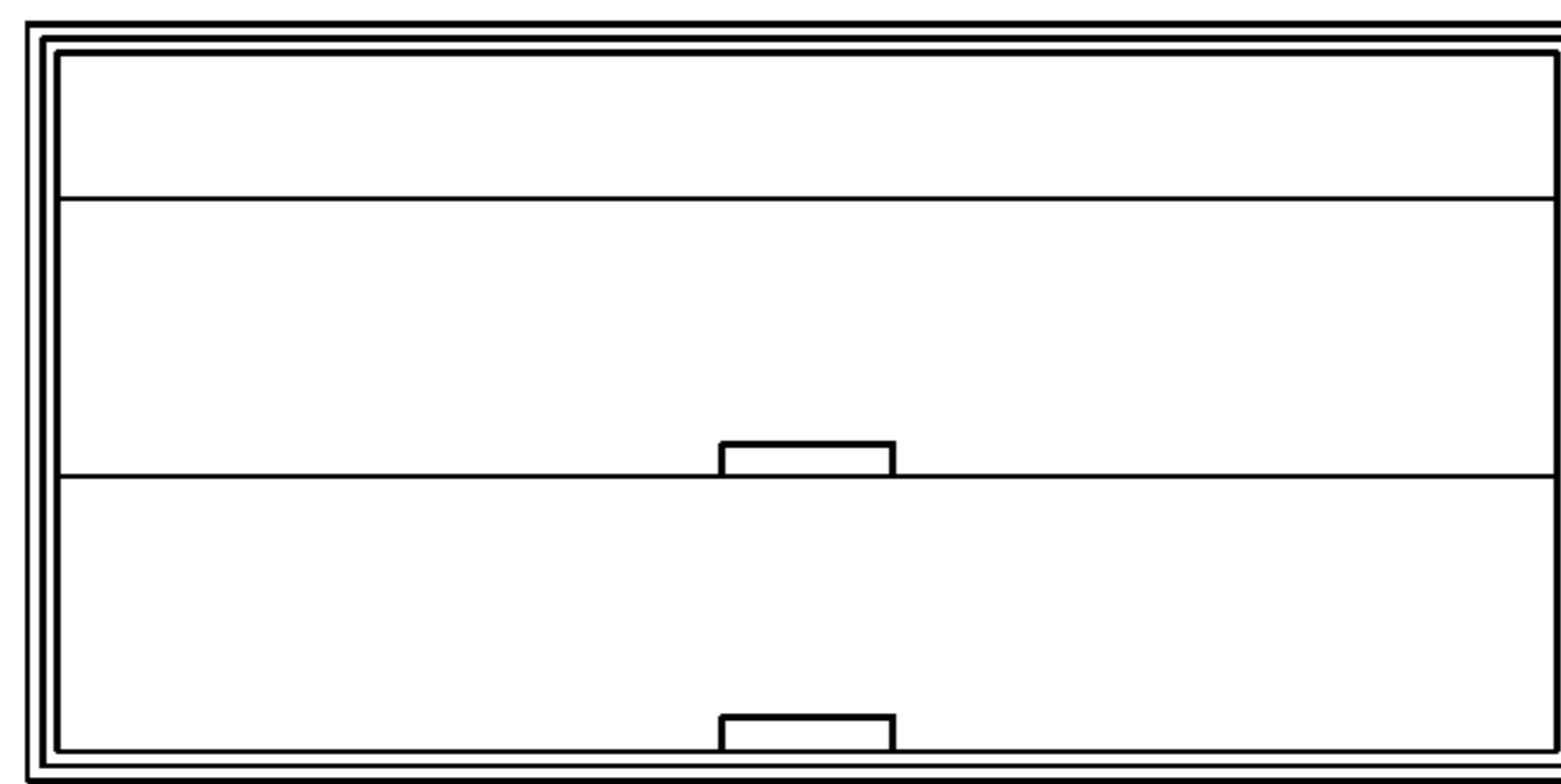


FIG. 2

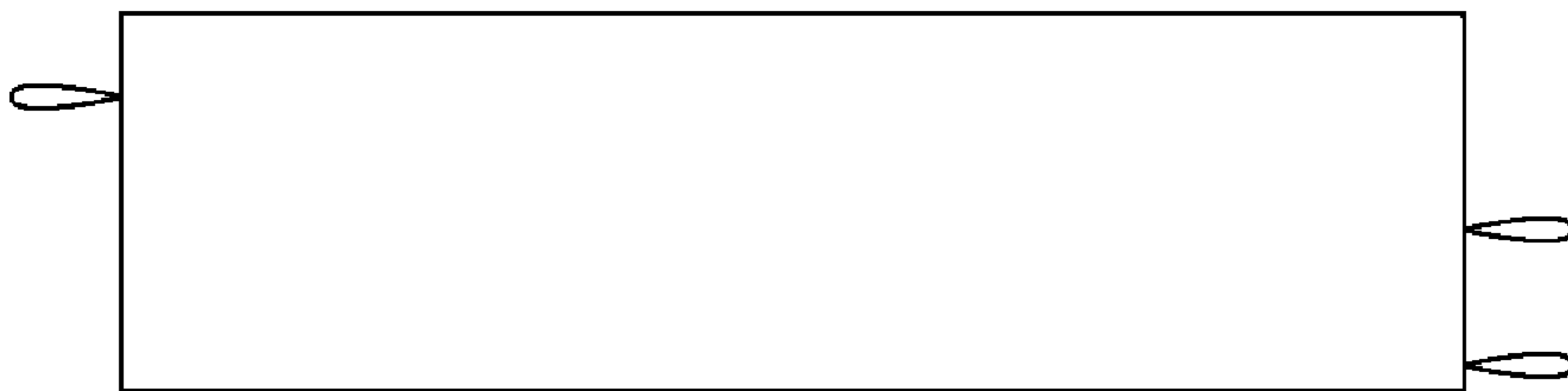


FIG. 3

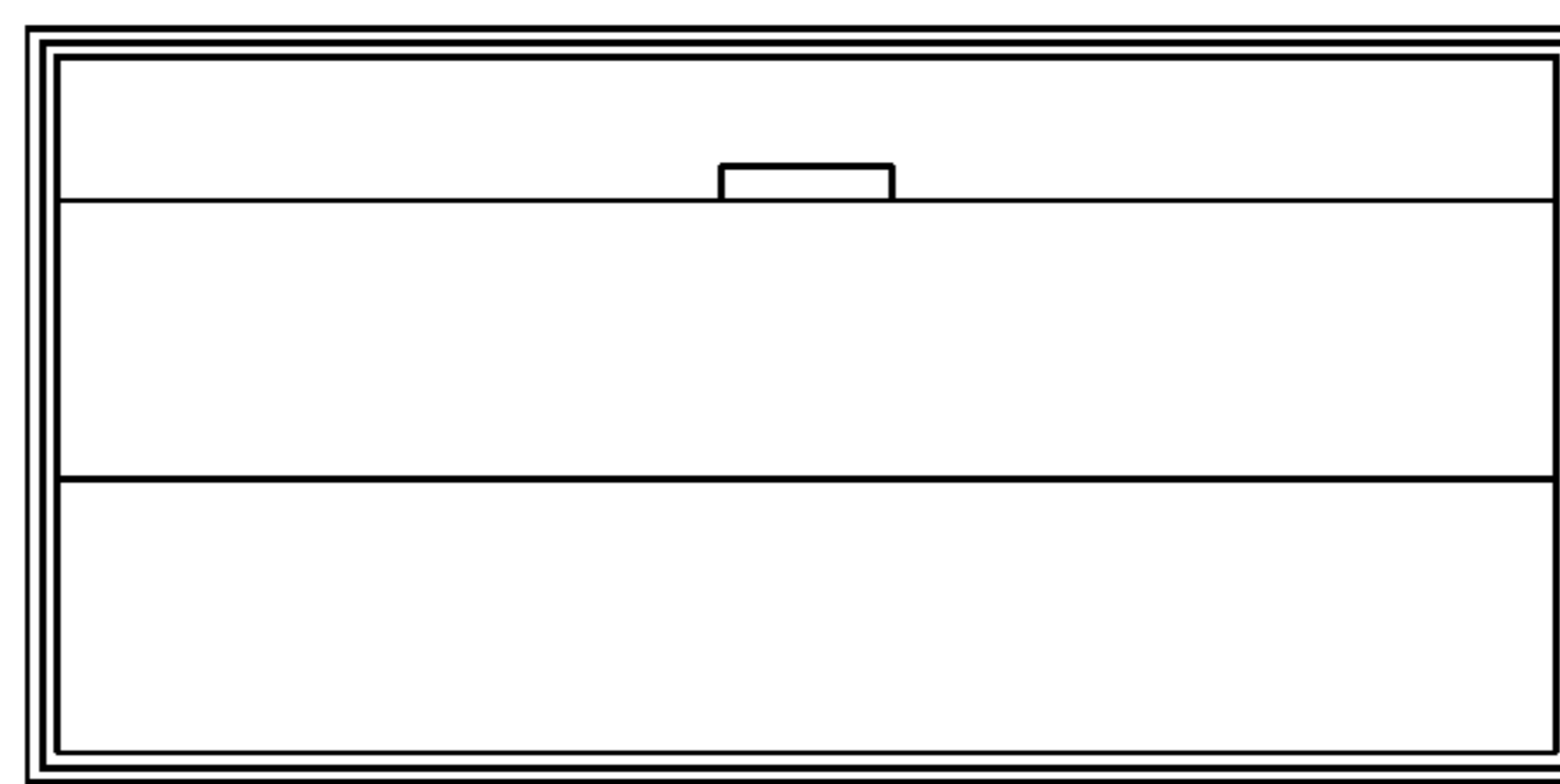


FIG. 4

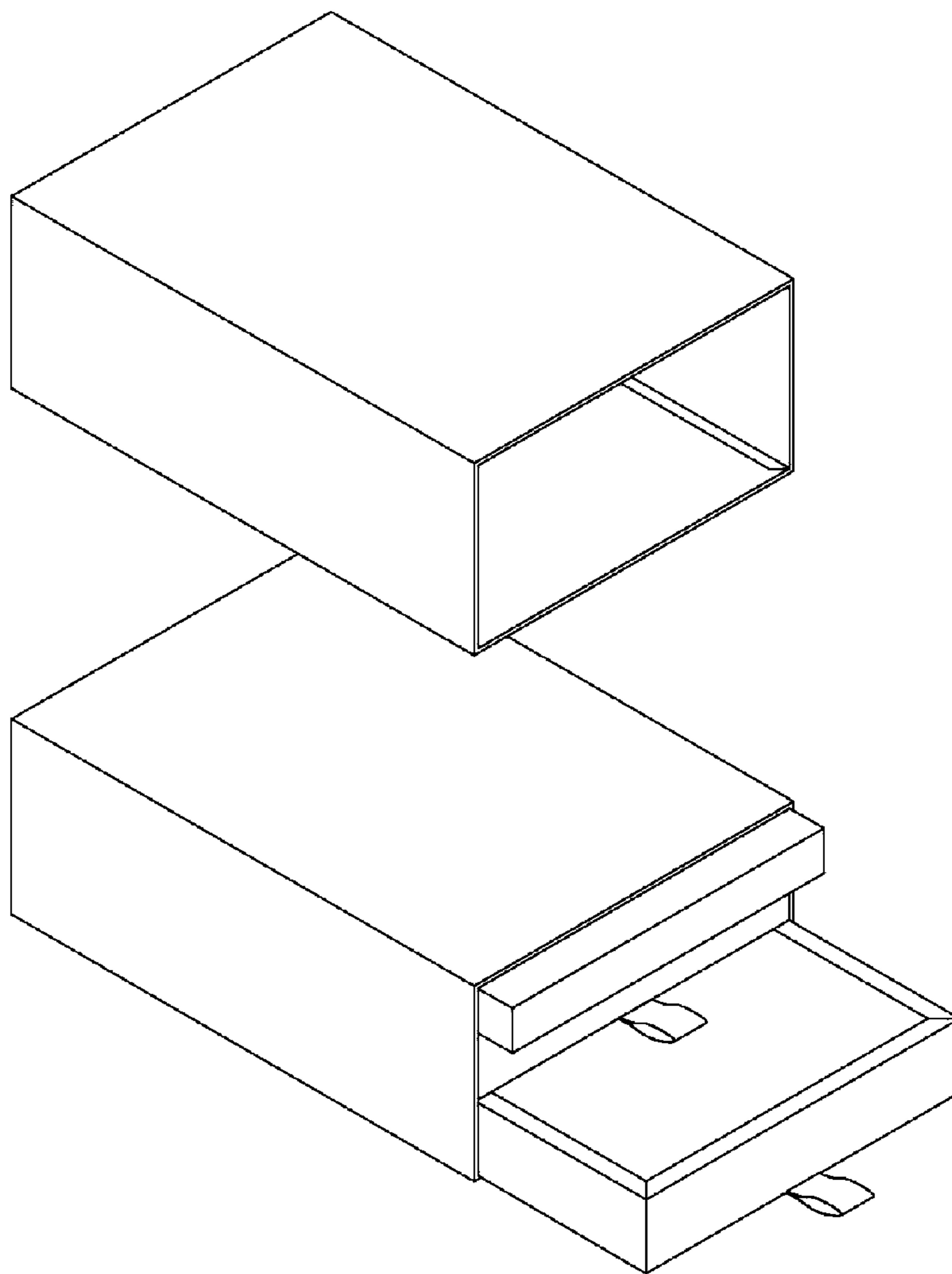


FIG. 5

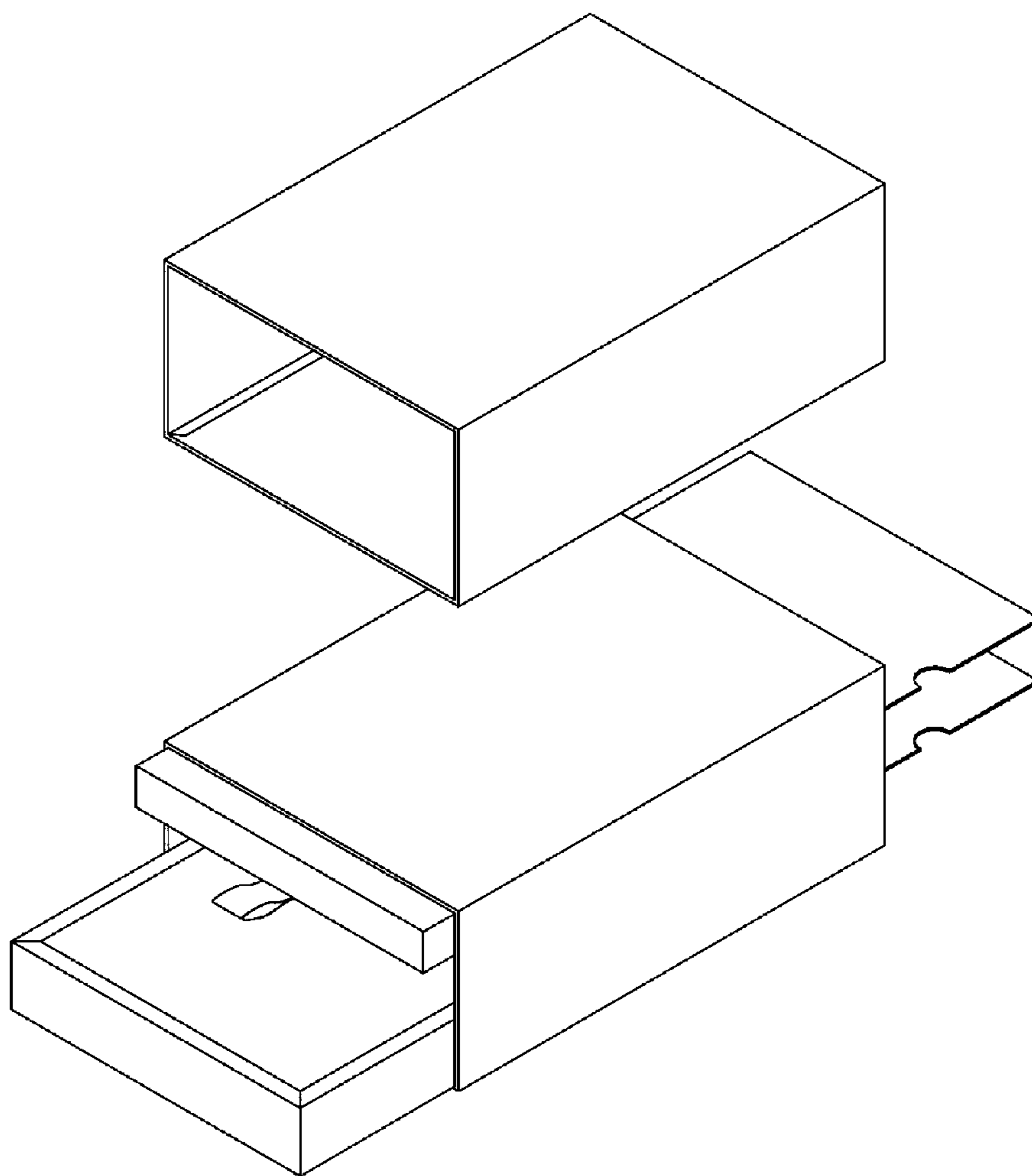


FIG. 6

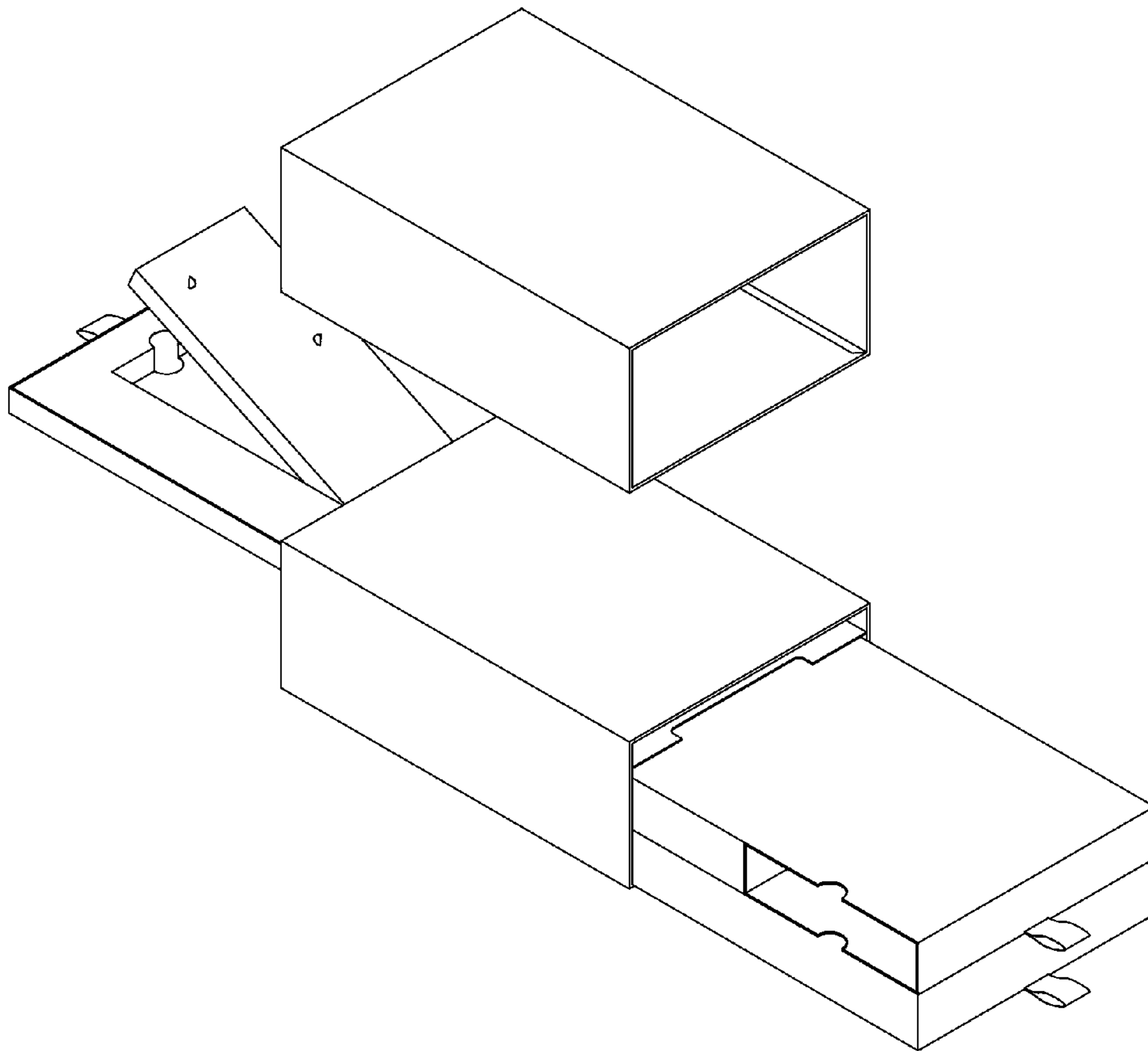


FIG. 7

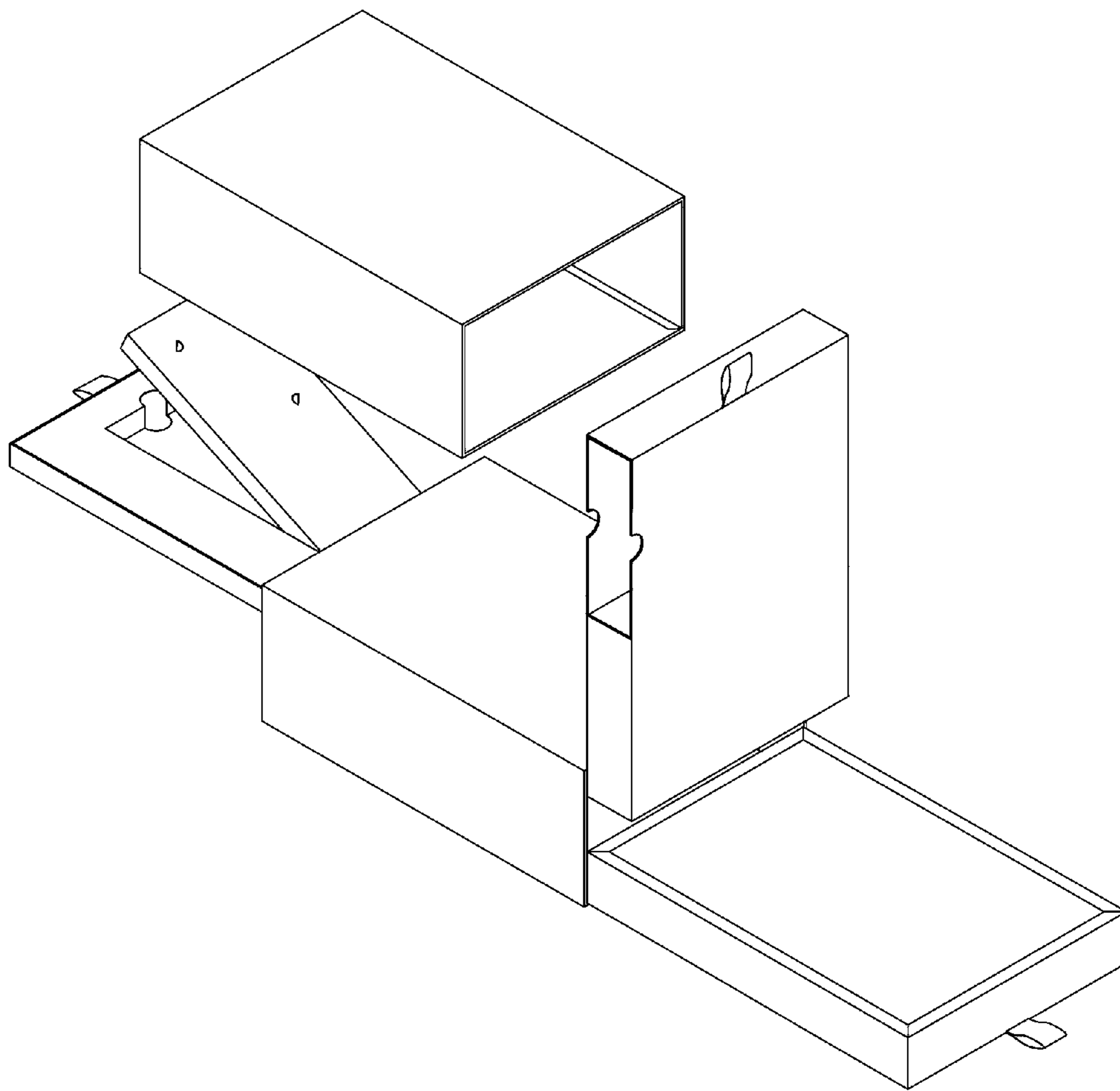


FIG. 8