



US00D726816S

(12) **United States Design Patent**
Ehrlich et al.

(10) **Patent No.:** **US D726,816 S**
(45) **Date of Patent:** **** Apr. 14, 2015**

- (54) **DISPLAY-COUPLED FINANCIAL TRANSACTION CARD**
- (71) Applicant: **Homer TLC, Inc.**, Wilmington, DE (US)
- (72) Inventors: **Nathan D. Ehrlich**, Duluth, GA (US);
Nichole A. Flynn, Park Ridge, IL (US);
Sophie M. Rousseau, Tucker, GA (US)
- (73) Assignee: **Homer TLC, Inc.**, Wilmington, DE (US)
- (**) Term: **14 Years**
- (21) Appl. No.: **29/488,048**
- (22) Filed: **Apr. 15, 2014**

Related U.S. Application Data

- (62) Division of application No. 29/438,781, filed on Dec. 3, 2012, now Pat. No. Des. 703,741.
- (51) **LOC (10) Cl.** **19-08**
- (52) **U.S. Cl.**
USPC **D19/9**
- (58) **Field of Classification Search**
USPC D19/1-12, 20-34, 100;
40/124.01-124.15, 672, 661, 726, 776,
40/617; 283/72, 74-75, 103, 105-117, 82,
283/70, 94, 81, 904; 206/449, 815;
D21/385; D20/10, 22, 27, 40, 42, 11;
D14/435-437; 235/380-382, 487, 493,
235/488; D6/613, 583
See application file for complete search history.

(56) **References Cited**

U.S. PATENT DOCUMENTS

D375,977 S	*	11/1996	Swarts	D19/90
D408,054 S		4/1999	Leedy, Jr.	D19/9
D468,769 S	*	1/2003	Haas	D19/10
D506,340 S		6/2005	Brandon	D6/511
D512,095 S		11/2005	Allard et al.	D19/10

D524,857 S	*	7/2006	Graves et al.	D19/9
D526,012 S		8/2006	Dorr et al.	D19/9
D533,220 S	*	12/2006	Graves et al.	D19/9
D573,182 S		7/2008	Ricketts et al.	D19/10
D582,475 S	*	12/2008	Guest	D19/10
D599,849 S	*	9/2009	Halbur et al.	D19/10
D631,911 S	*	2/2011	Irwin, Jr.	D19/10
D636,020 S		4/2011	Antonio	D19/9
D636,021 S		4/2011	Antonio	D19/10
D641,792 S	*	7/2011	Turner et al.	D20/40

(Continued)

Primary Examiner — Caron D Veynar

Assistant Examiner — Abraham Bahta

(74) *Attorney, Agent, or Firm* — Fulbright & Jaworski LLP

(57) **CLAIM**

The ornamental design for display-coupled financial transaction card, as shown and described.

DESCRIPTION

FIG. 1 is a perspective view of our financial transaction card coupled to a display;

FIG. 2 is a front view of the display-coupled financial transaction card shown in FIG. 1;

FIG. 3 is a back view of the display-coupled financial transaction card shown in FIG. 1, in which the display includes an opening through which a portion of the financial transaction card is visible;

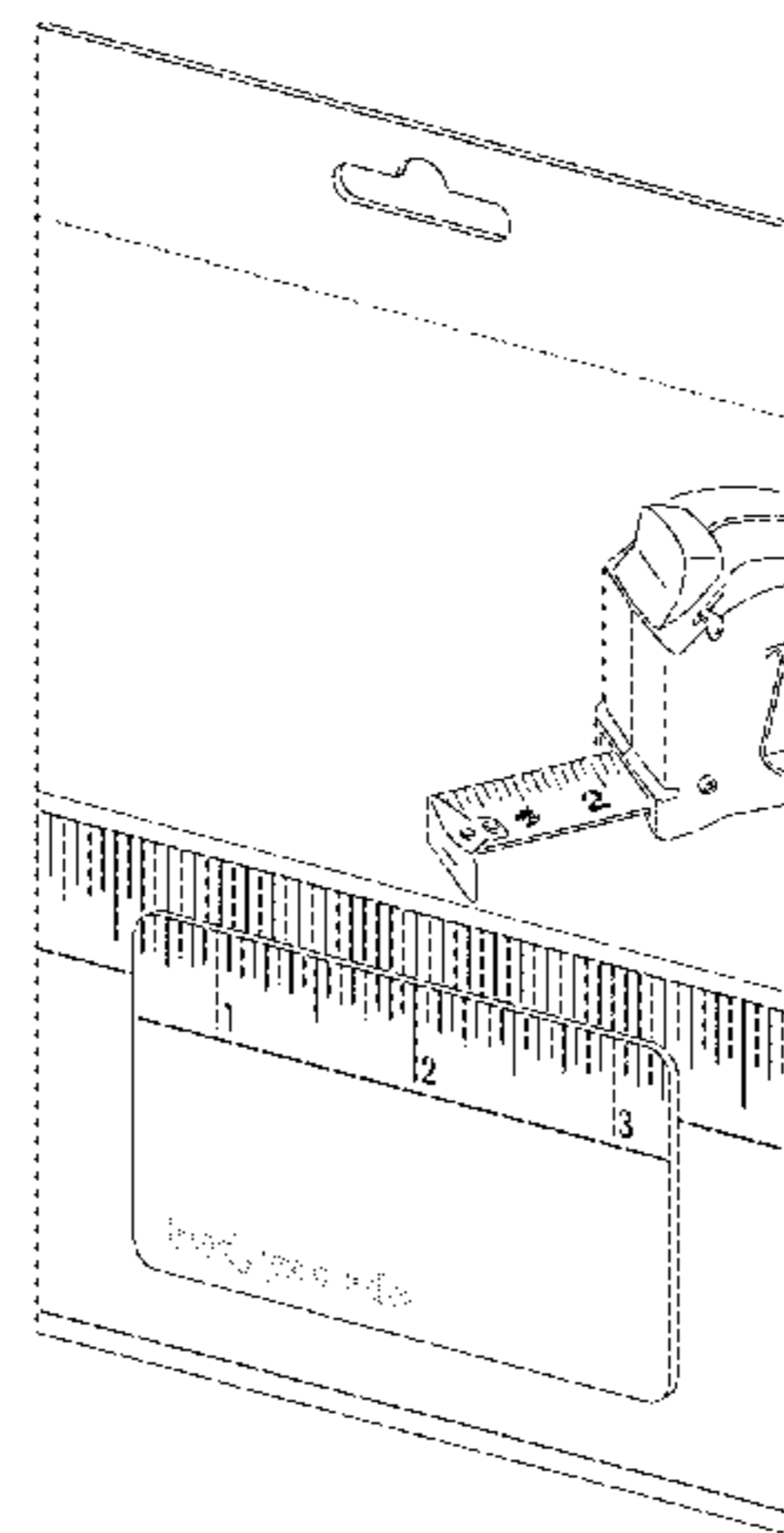
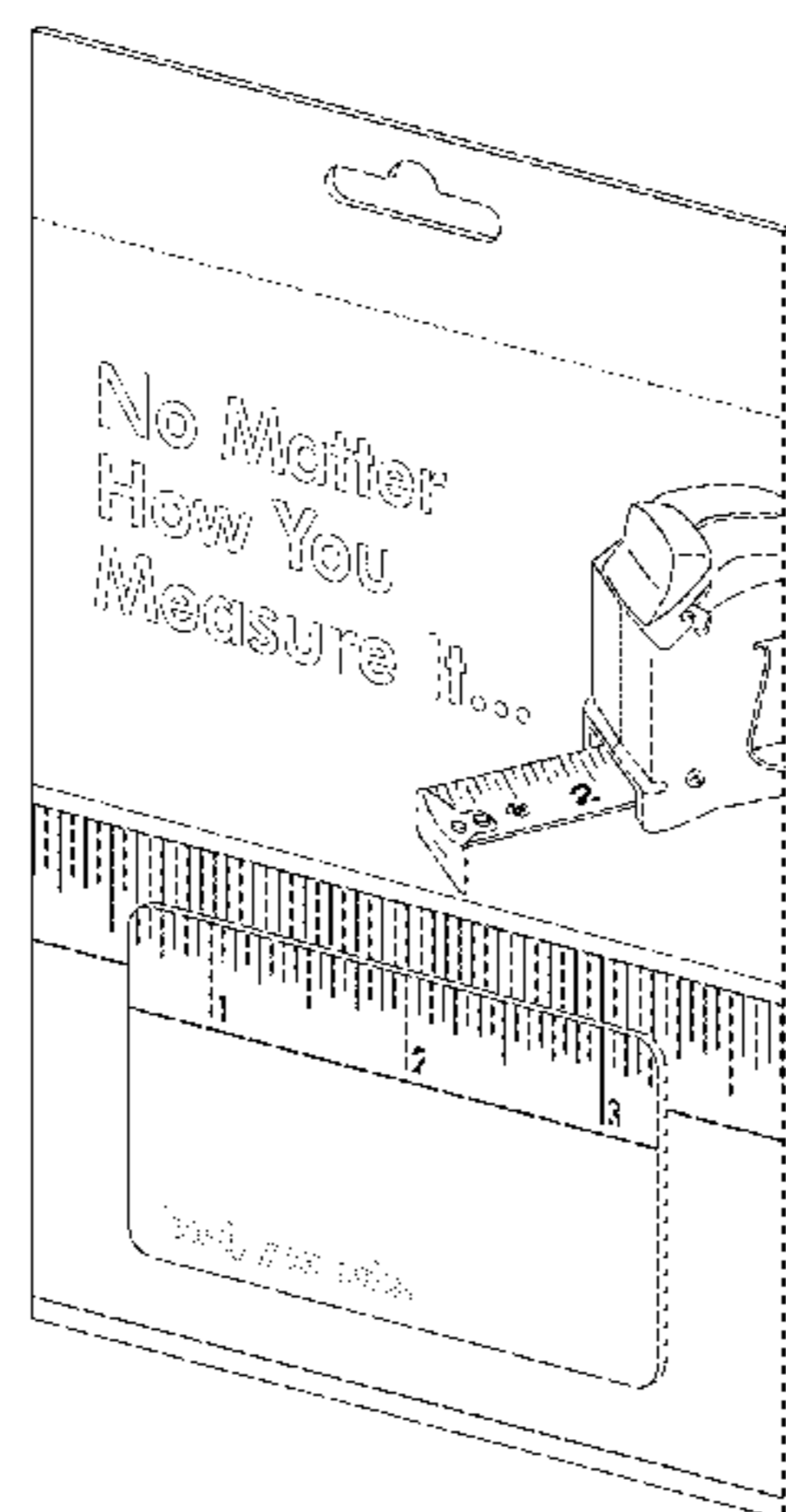
FIG. 4 is a perspective view of our financial transaction card coupled to another embodiment of a display that differs from the display of FIG. 1 in that the certain lettering is omitted from the display;

FIG. 5 is a front view of the display-coupled financial transaction card shown in FIG. 4; and,

FIG. 6 is a back view of the display-coupled financial transaction card shown in FIG. 4.

The dashed lines in the figures form no part of the claimed design. All other surface(s) or portion(s) of the display-coupled financial transaction card not shown in the figures or otherwise described in the specification form no part of the claimed design.

1 Claim, 6 Drawing Sheets



US D726,816 S

Page 2

(56)

References Cited

U.S. PATENT DOCUMENTS

D643,064 S 8/2011 Skelding et al. D19/10
D650,438 S * 12/2011 Albrecht et al. D19/9
D650,440 S 12/2011 Irwin, Jr. D19/10

D667,495 S 9/2012 Bender D19/10
D676,487 S 2/2013 Mullen et al. D19/10
D677,330 S 3/2013 Blum D19/10
D680,584 S * 4/2013 Waugh D19/1
D690,767 S * 10/2013 Lindley D19/9

* cited by examiner

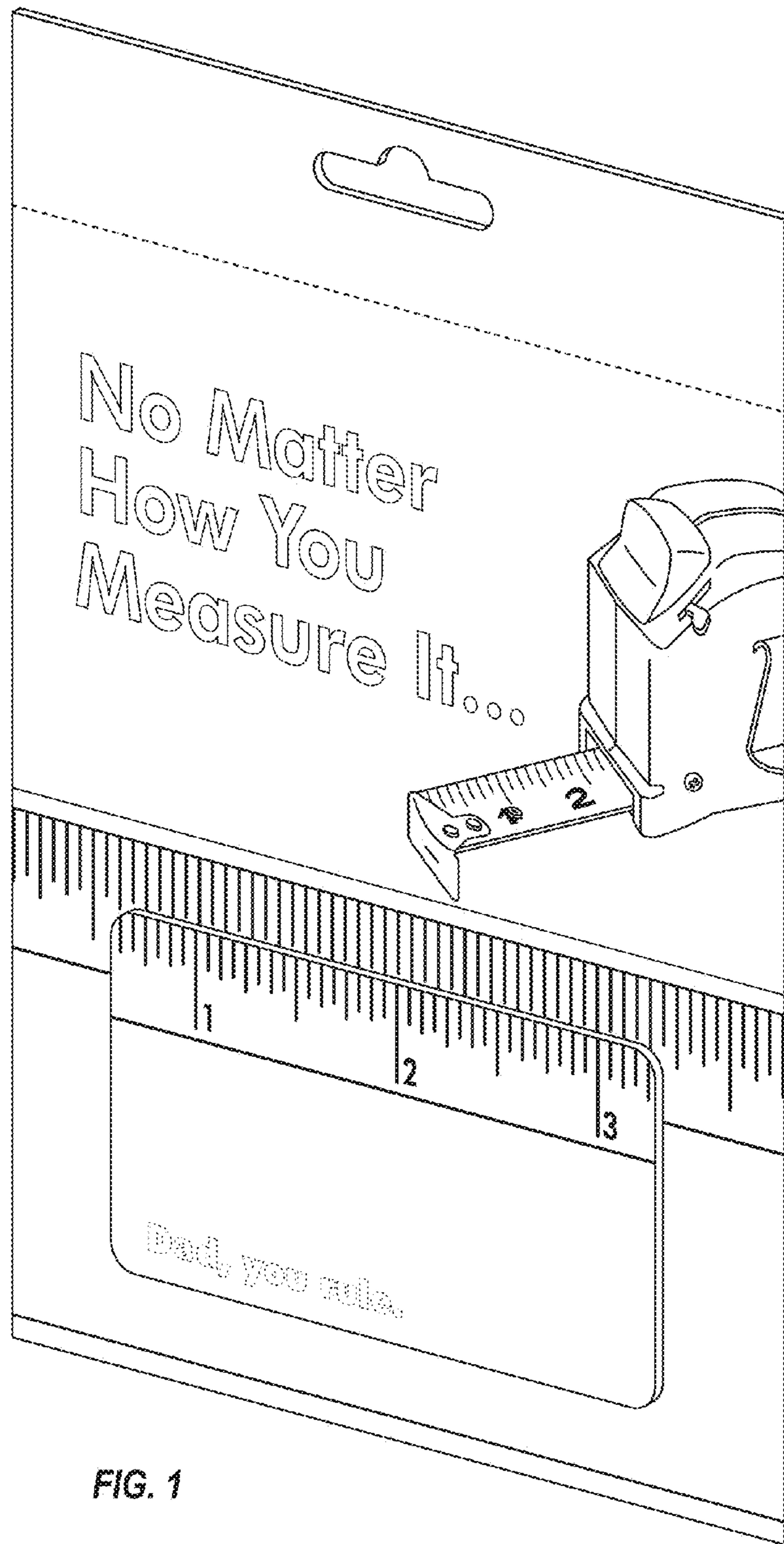


FIG. 1

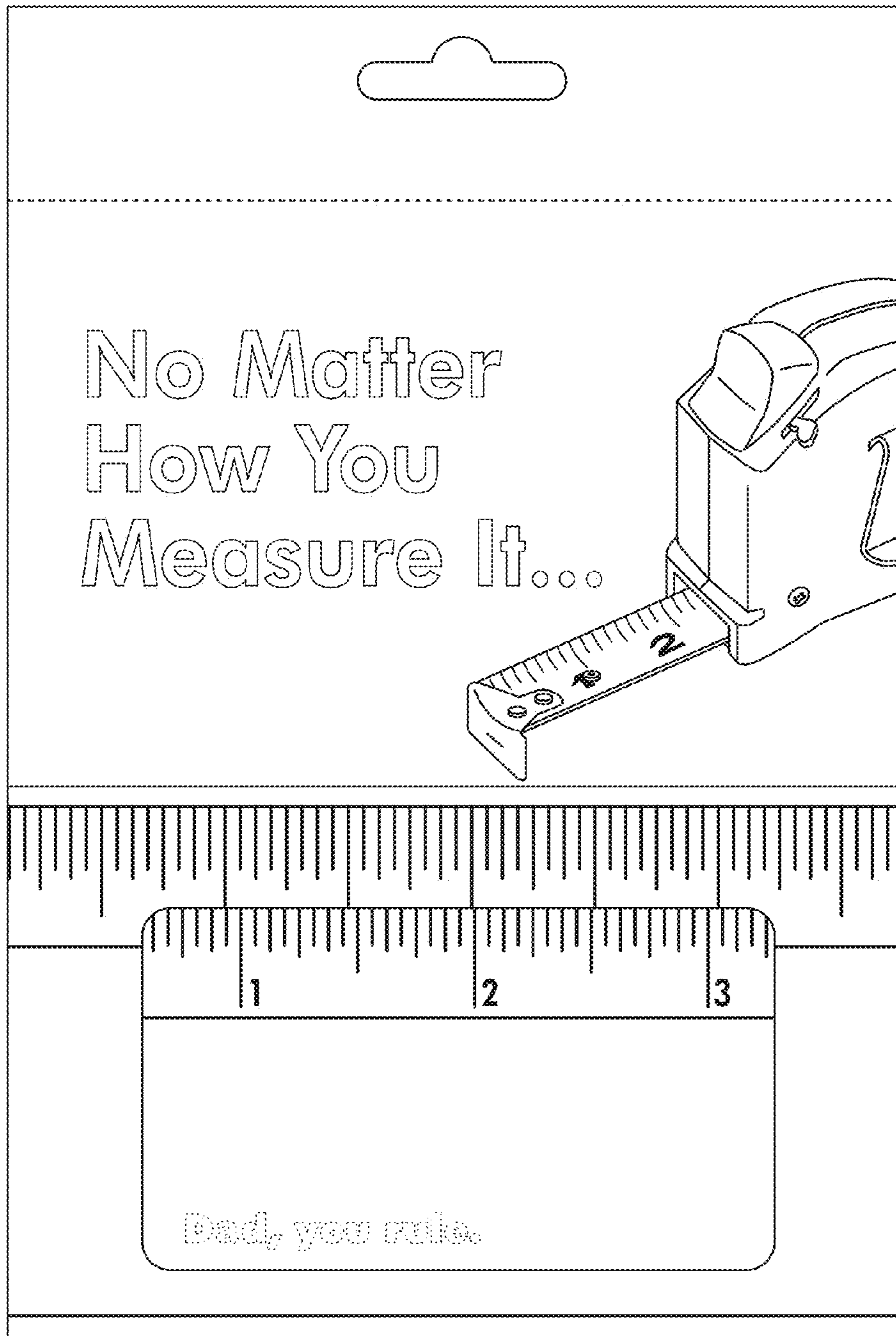


FIG. 2

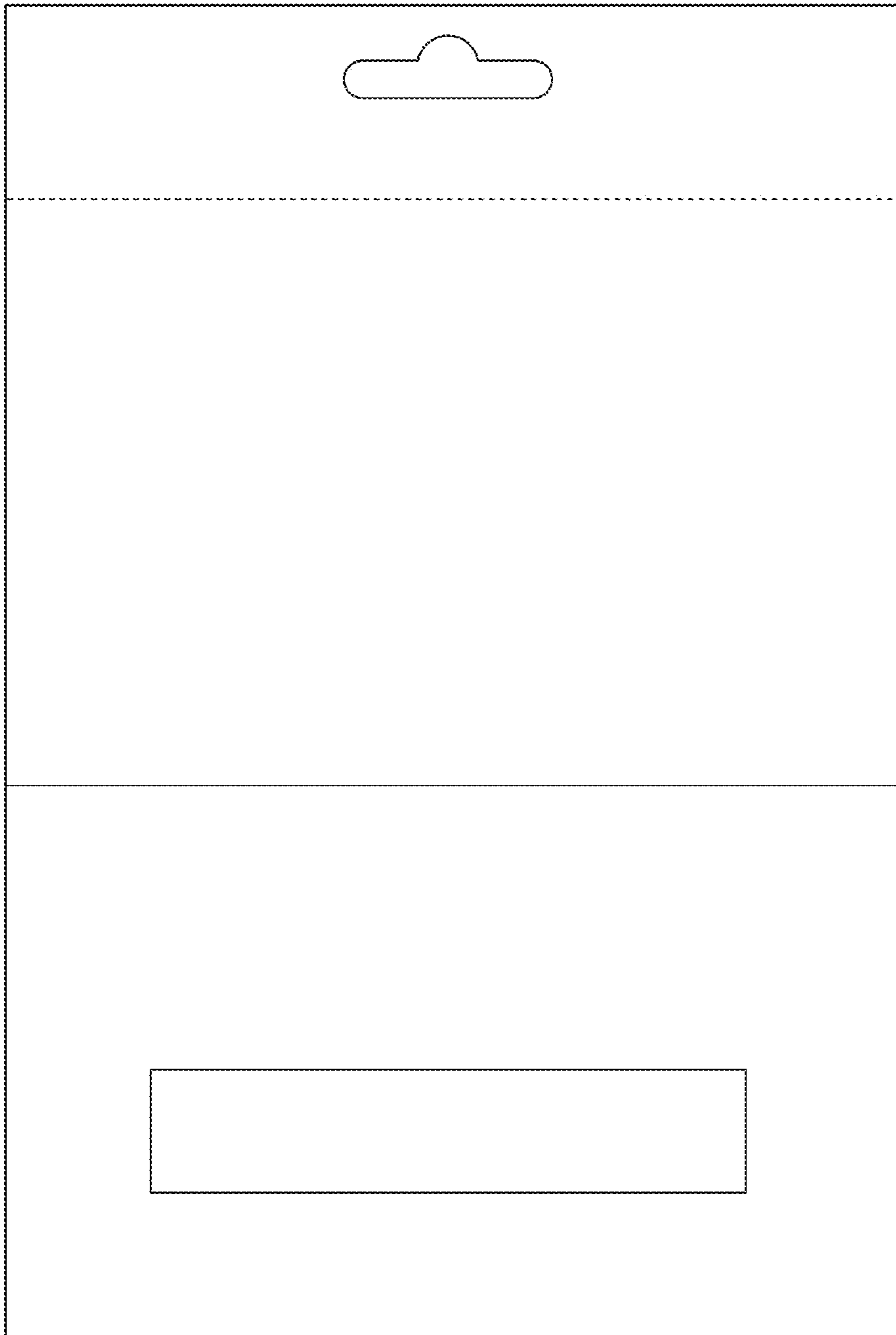


FIG. 3

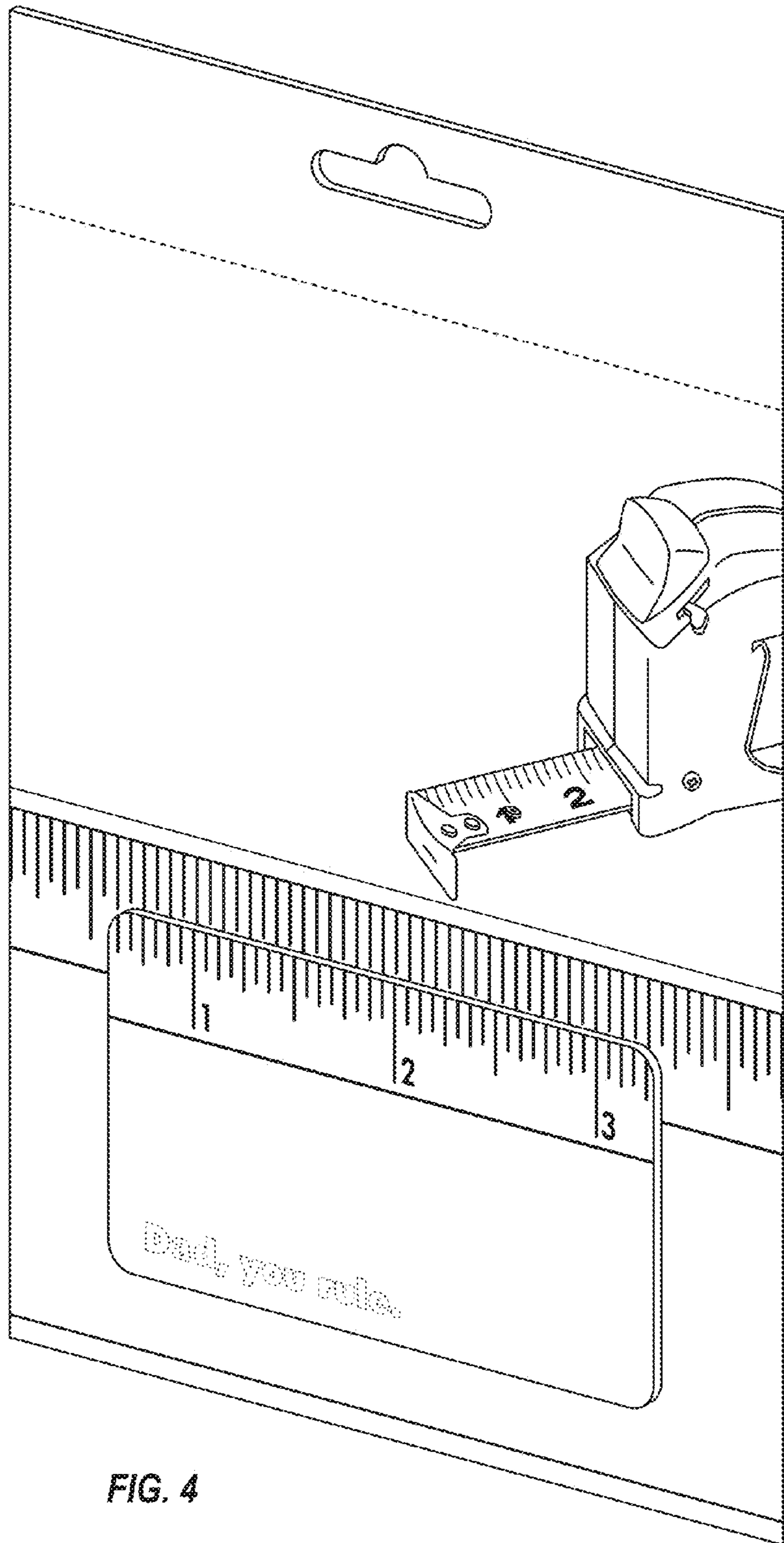


FIG. 4

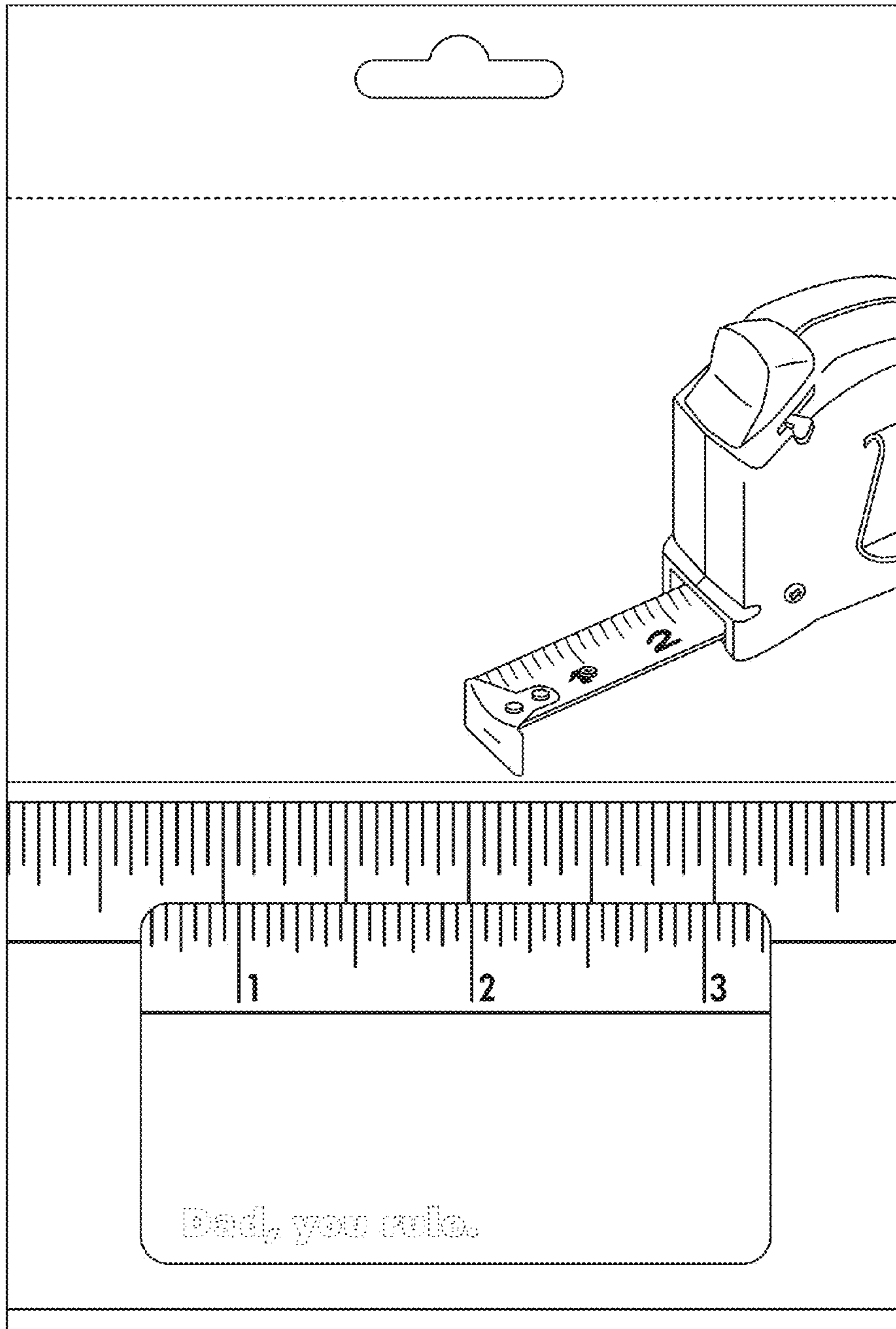


FIG. 5

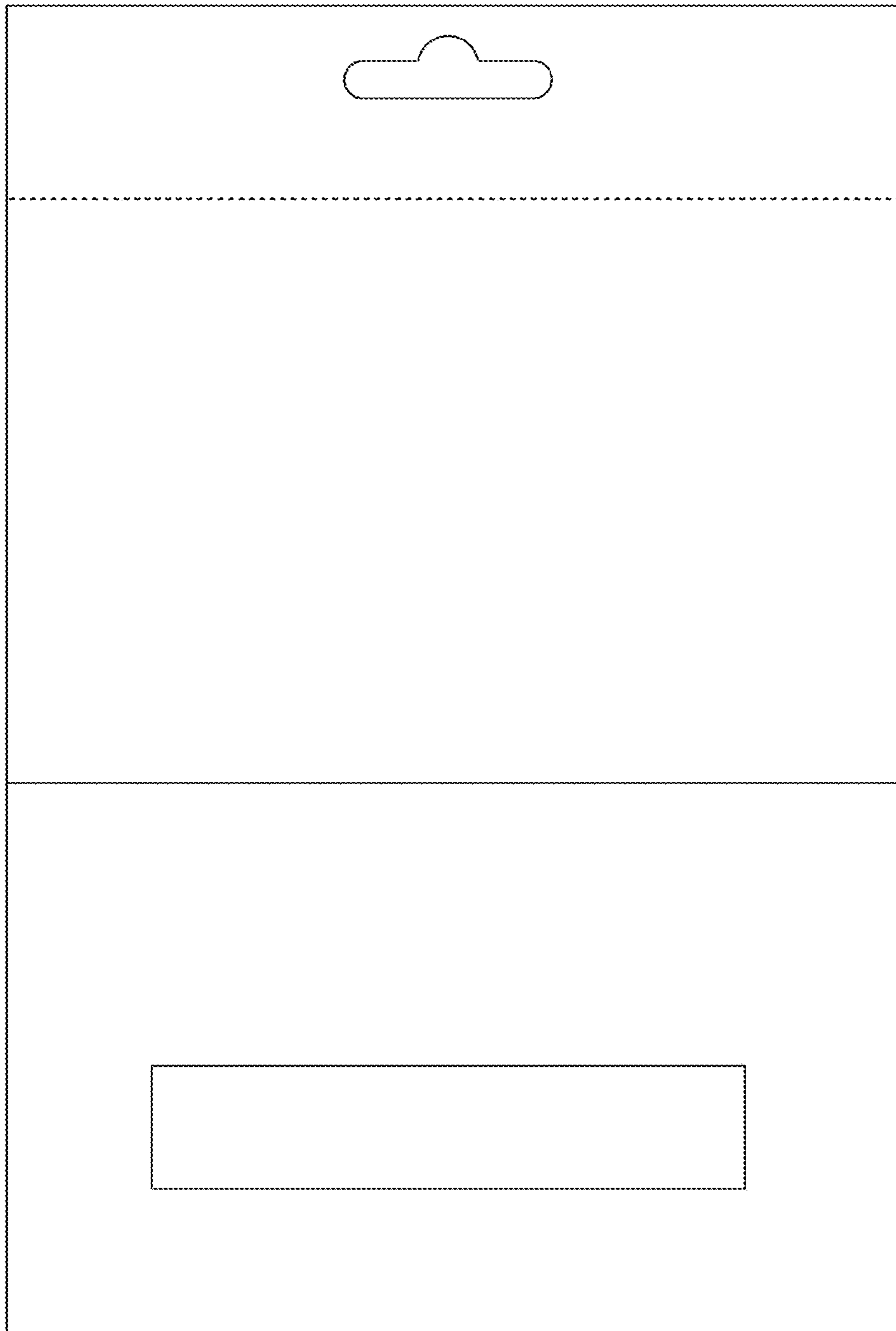


FIG. 6