



US00D726814S

(12) **United States Design Patent**
Lapelosa

(10) **Patent No.:** **US D726,814 S**

(45) **Date of Patent:** **** Apr. 14, 2015**

(54) **TUBE FOR RIBBON FILTER**

(71) Applicant: **Assembling S.R.L.**, Modena (IT)

(72) Inventor: **Michele Lapelosa**, Bolognese (IT)

(73) Assignee: **Assembling S.R.L.**, Modena (IT)

(**) Term: **14 Years**

(21) Appl. No.: **29/450,482**

(22) Filed: **Mar. 18, 2013**

(51) **LOC (10) Cl.** **16-03**

(52) **U.S. Cl.**
USPC **D18/40; D18/43**

(58) **Field of Classification Search**
USPC D18/12, 36, 40, 43, 44, 56; D14/471;
347/49, 50, 197, 222; 399/11, 106,
399/119, 120, 230, 258; 222/DIG. 1
See application file for complete search history.

(56) **References Cited**

U.S. PATENT DOCUMENTS

D423,561 S *	4/2000	Kita	D18/43
D451,538 S *	12/2001	Schwamkrug et al.	D18/40
D525,289 S *	7/2006	Murata	D18/43
D529,946 S *	10/2006	Amano	D18/43
D559,894 S *	1/2008	Sato	D18/43
D559,895 S *	1/2008	Sato	D18/43
D559,896 S *	1/2008	Sato	D18/43
D574,038 S *	7/2008	Sakabe	D18/43

D585,483 S *	1/2009	Sakabe	D18/43
D604,358 S *	11/2009	Kinoshita et al.	D18/43
D679,750 S *	4/2013	Fujii	D18/43

* cited by examiner

Primary Examiner — Barbara Fox

Assistant Examiner — Chelsea Sealey

(74) *Attorney, Agent, or Firm* — McGinn IP Law Group, PLLC

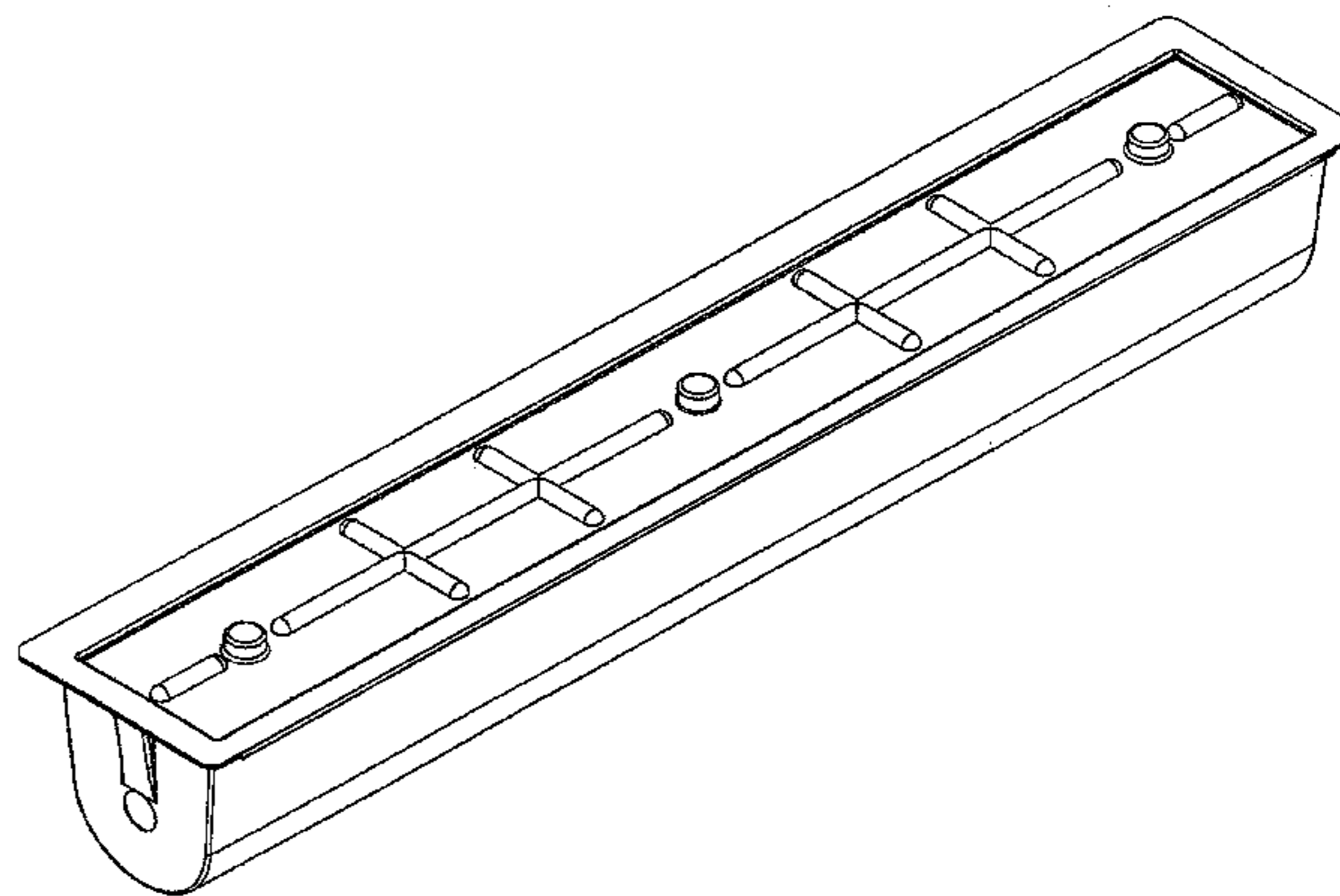
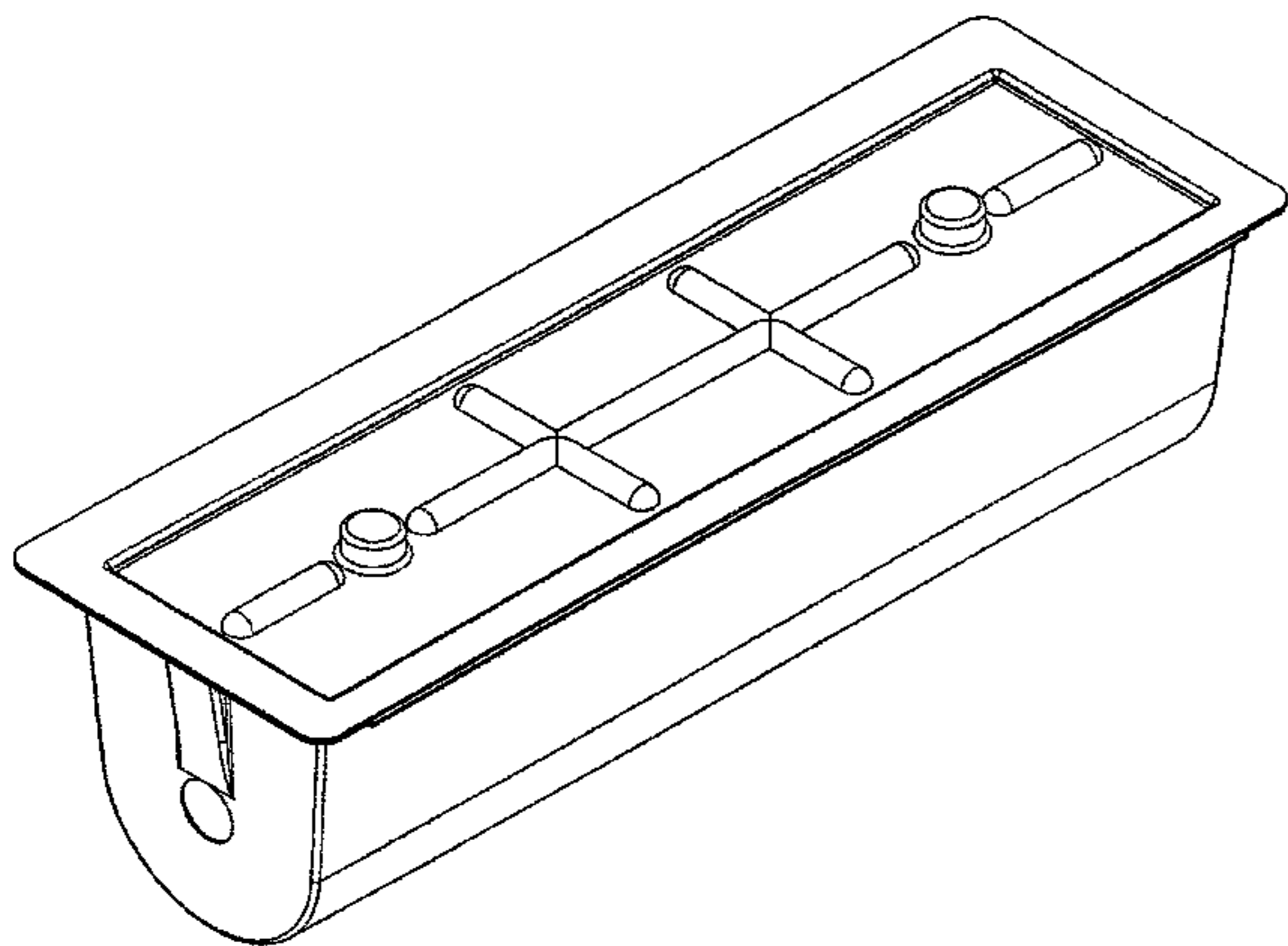
(57) **CLAIM**

The ornamental design for tube for ribbon filter, as shown and described.

DESCRIPTION

FIG. 1 is a front view of a first embodiment of a tube for ribbon filter showing our new design;
 FIG. 2 is a perspective view thereof in an open configuration;
 FIG. 3 is a side view thereof;
 FIG. 4 is a side view thereof in a closed configuration;
 FIG. 5 is a perspective view thereof;
 FIG. 6 is a bottom view thereof;
 FIG. 7 is a top view thereof;
 FIG. 8 is a front view of a second embodiment of a tube for ribbon filter showing our new design;
 FIG. 9 is a perspective view thereof in an open configuration;
 FIG. 10 is a side view thereof;
 FIG. 11 is a side view thereof in a closed configuration;
 FIG. 12 is a perspective view thereof;
 FIG. 13 is a bottom view thereof; and,
 FIG. 14 is a top view thereof.

1 Claim, 14 Drawing Sheets



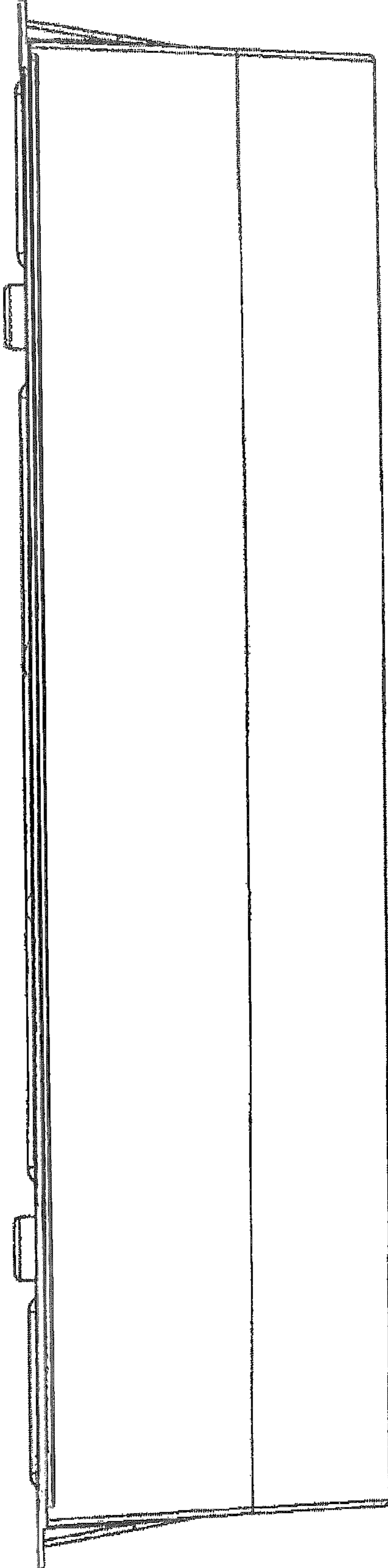


FIG. 1

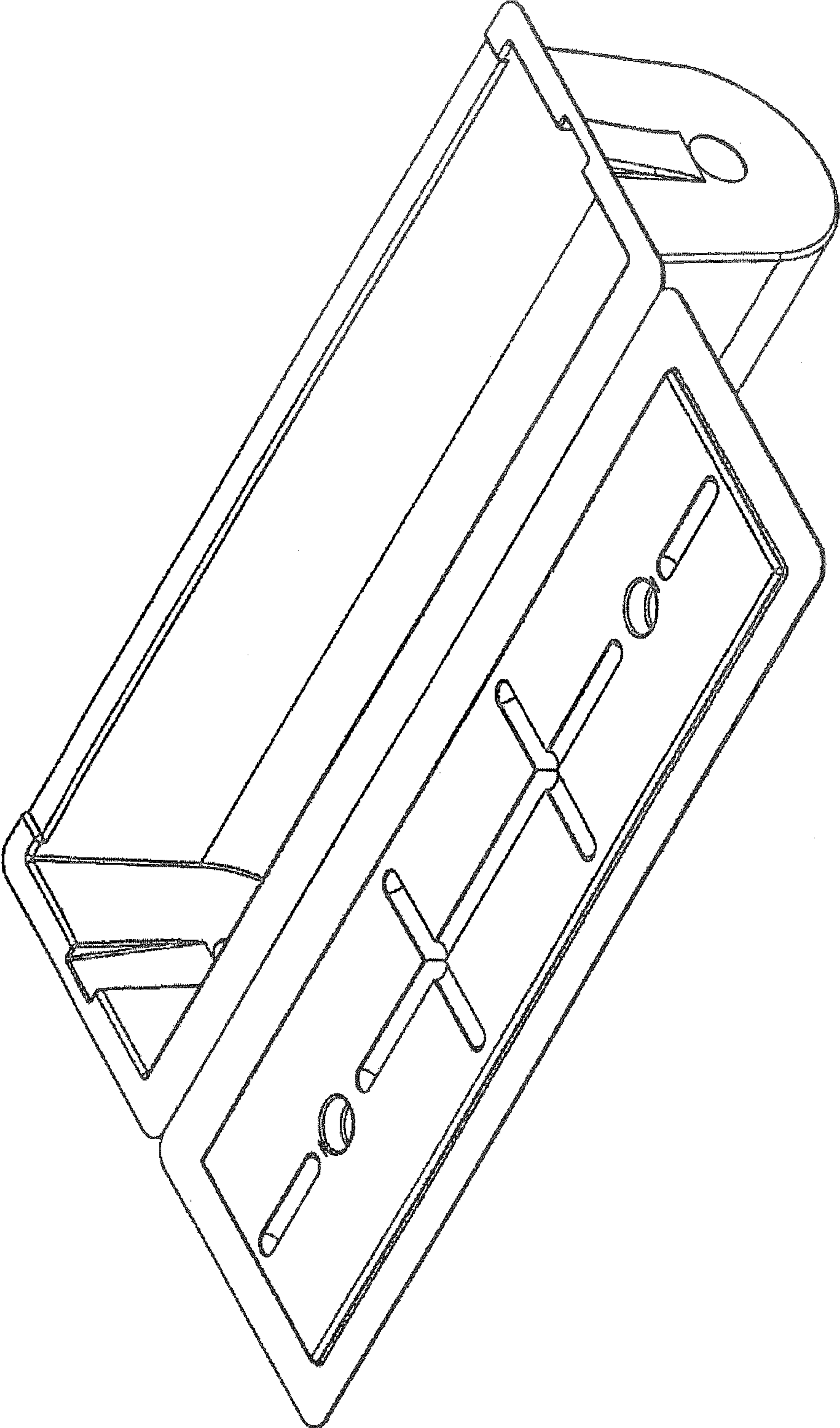


FIG. 2

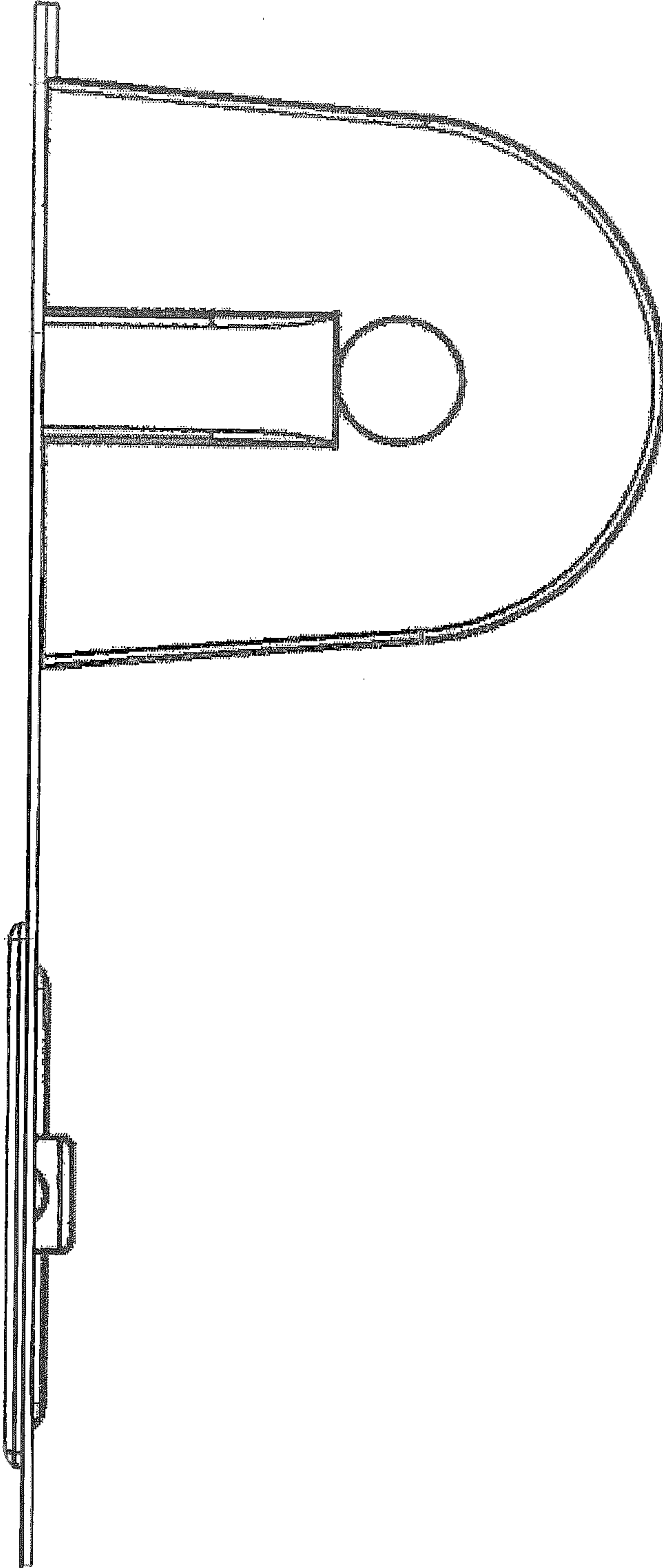


FIG. 3

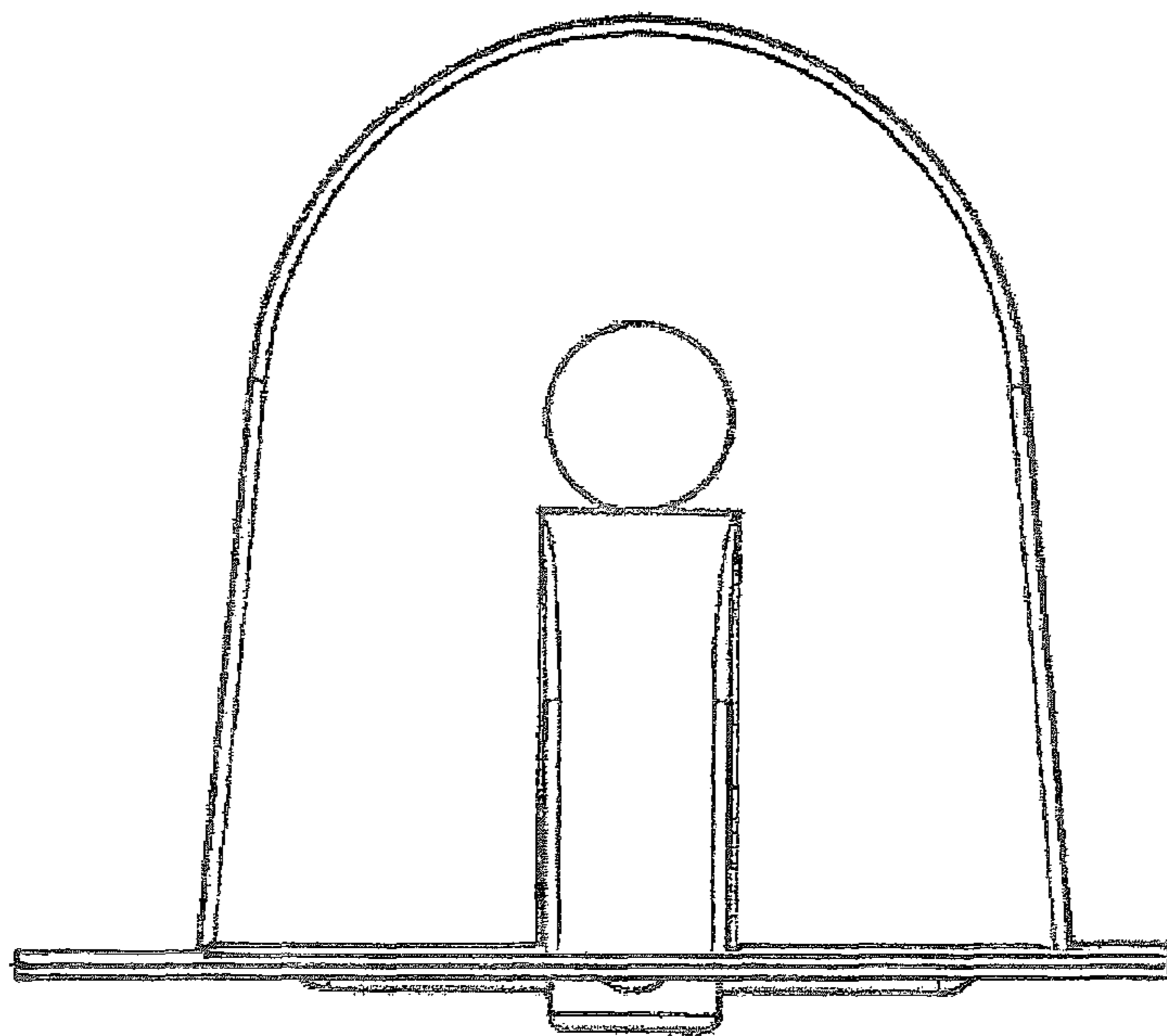


FIG. 4

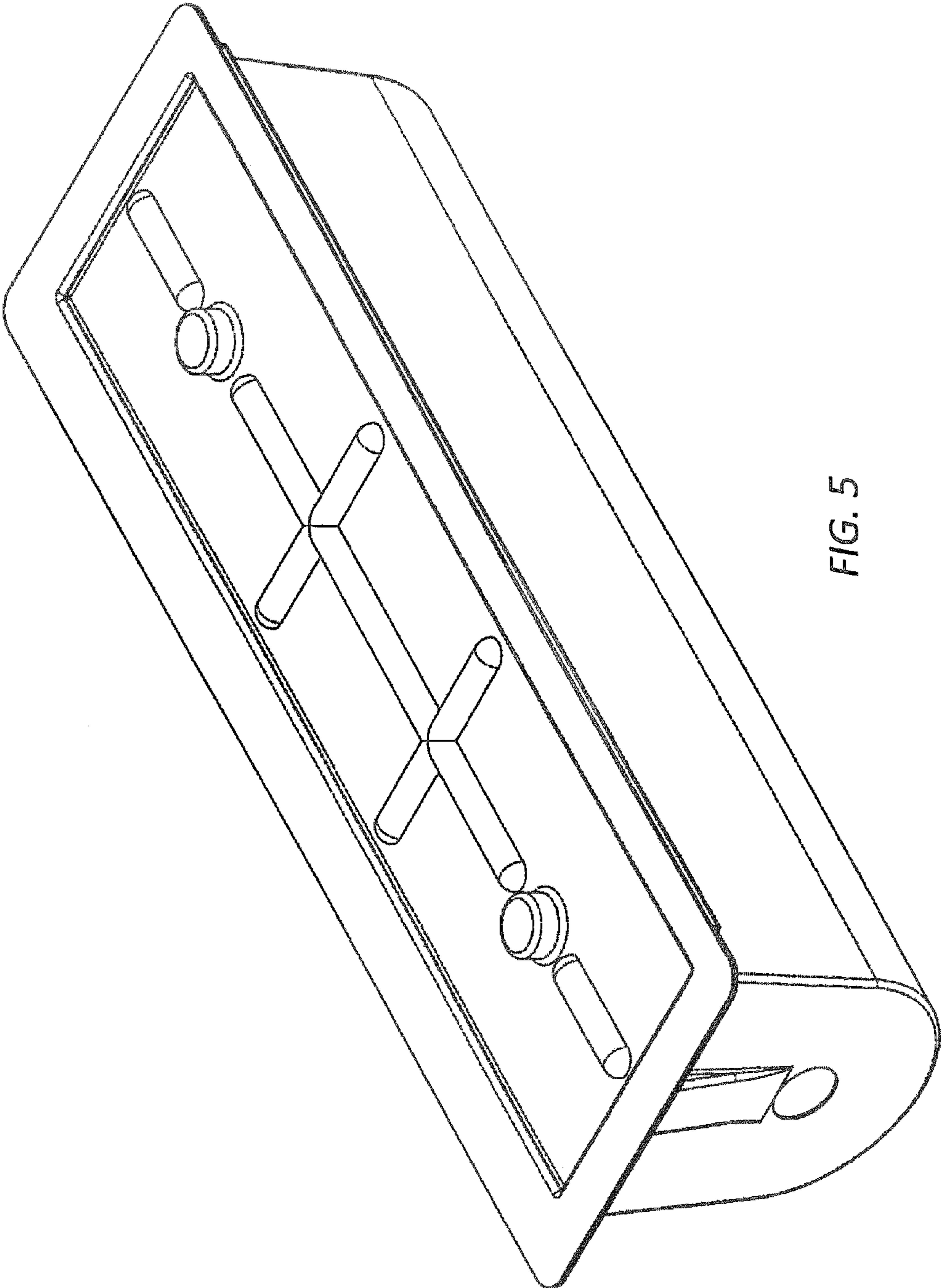


FIG. 5

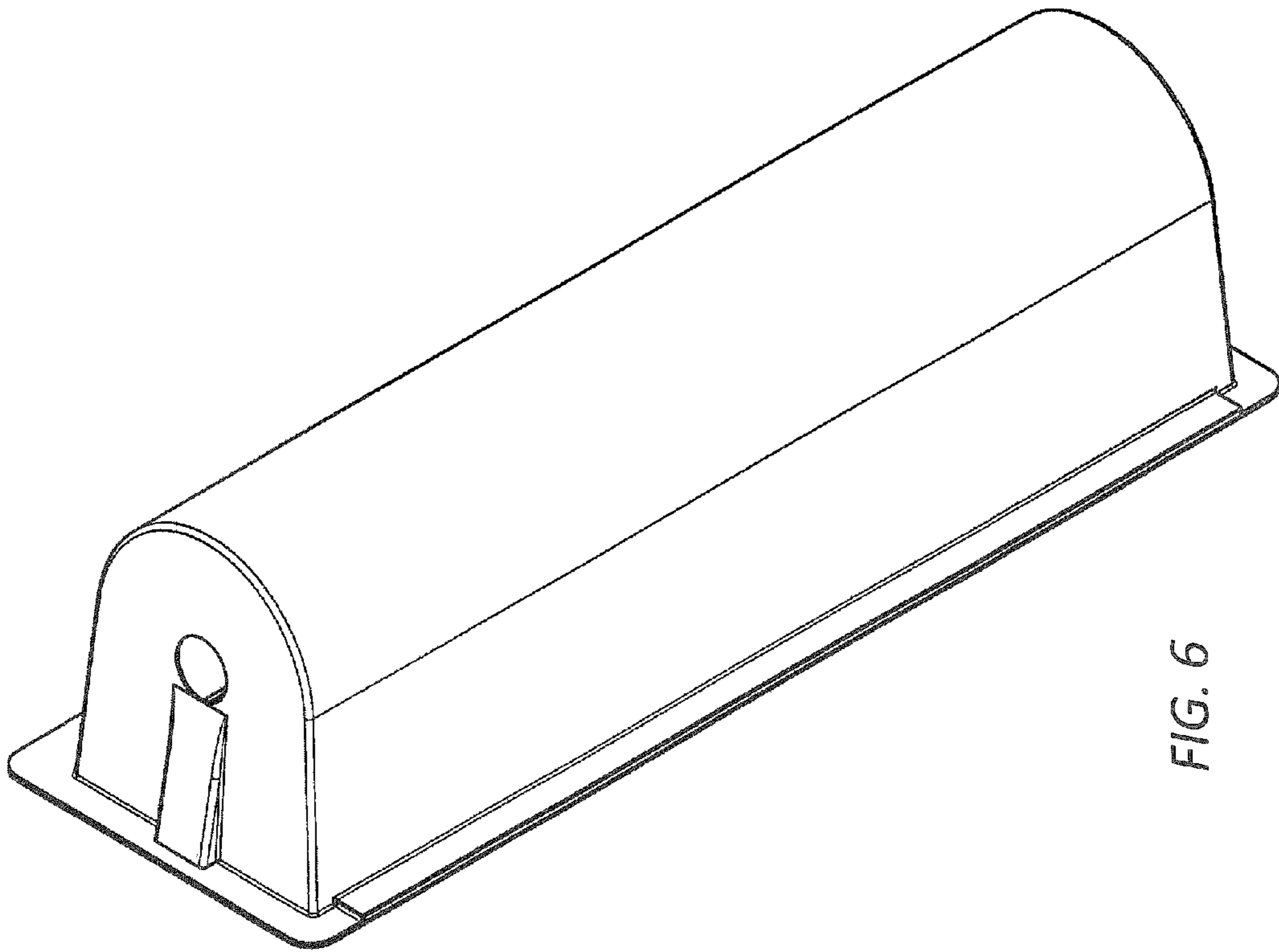


FIG. 6

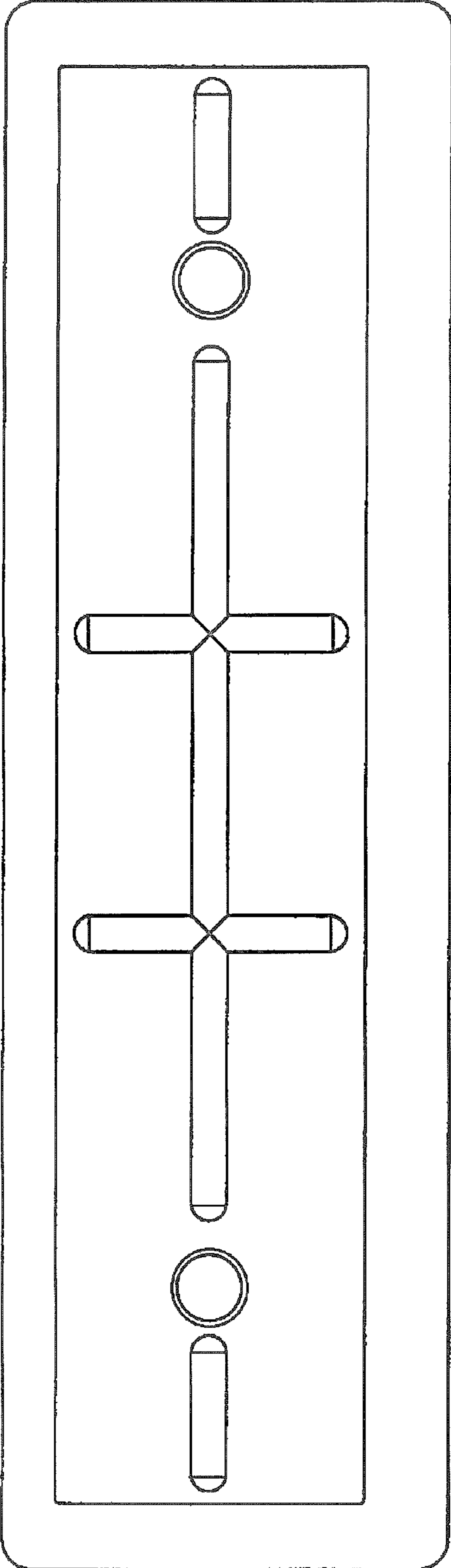


FIG. 7

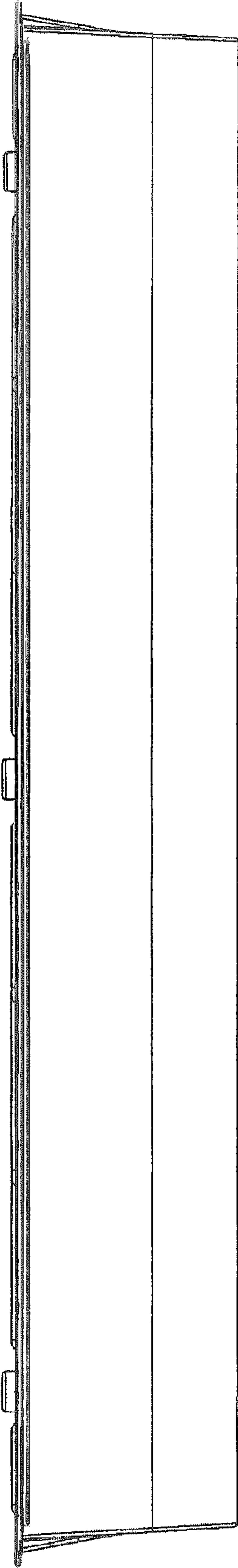


FIG. 8

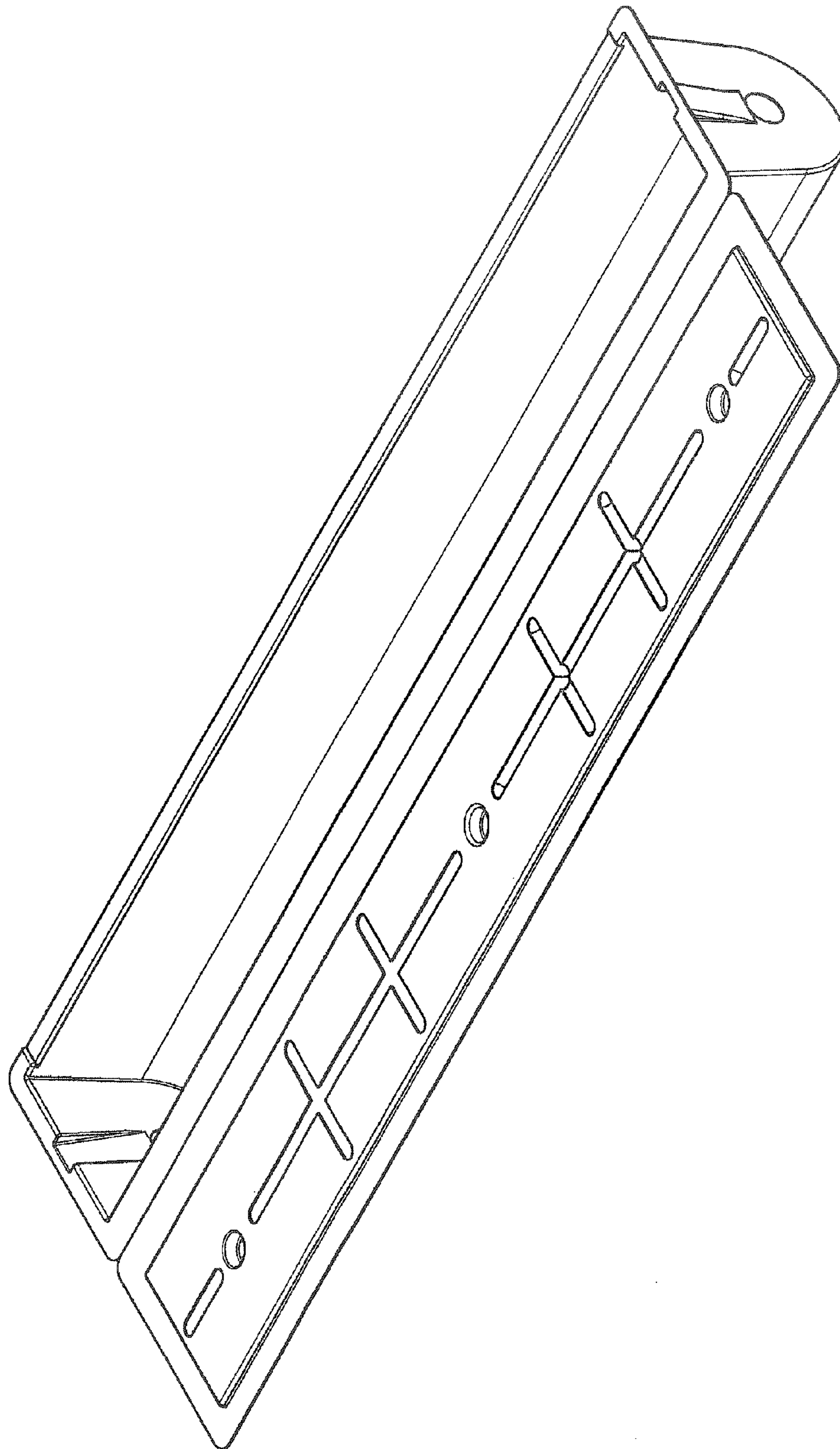


FIG. 9

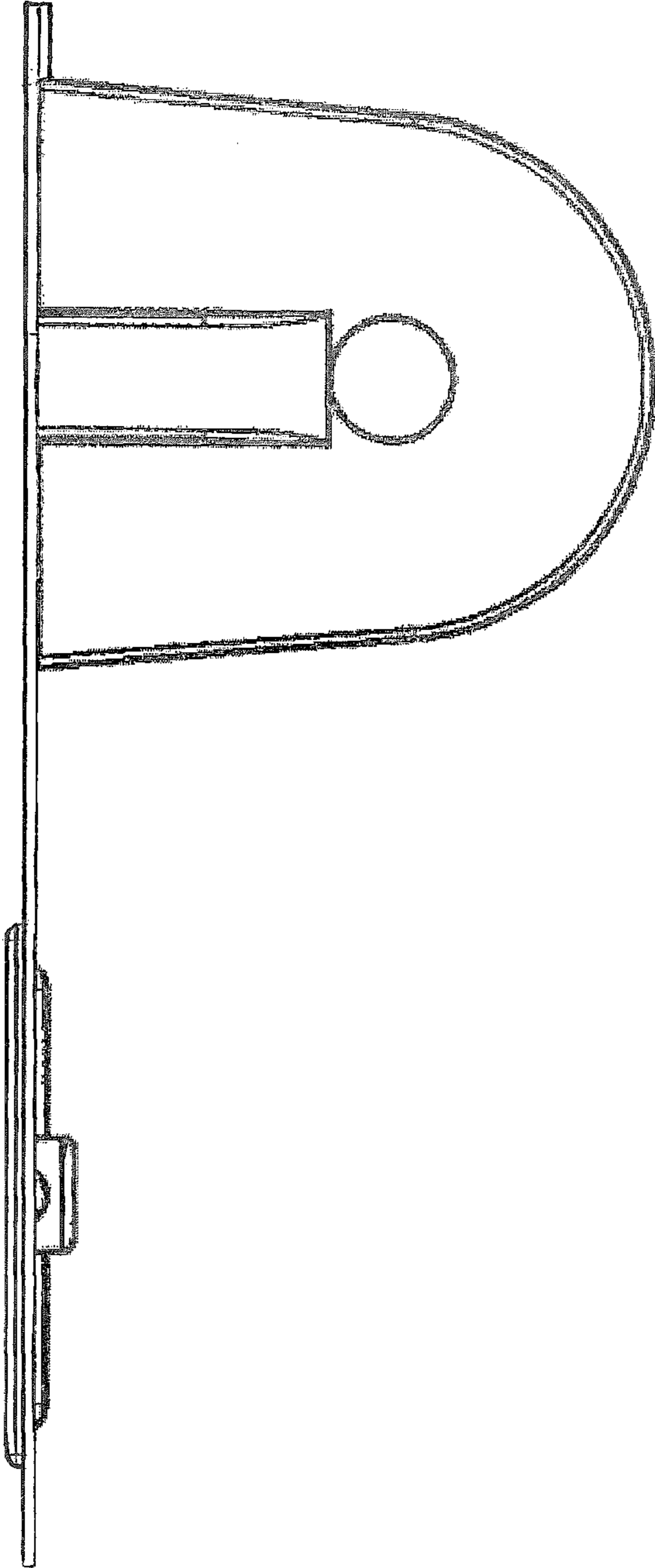


FIG. 10

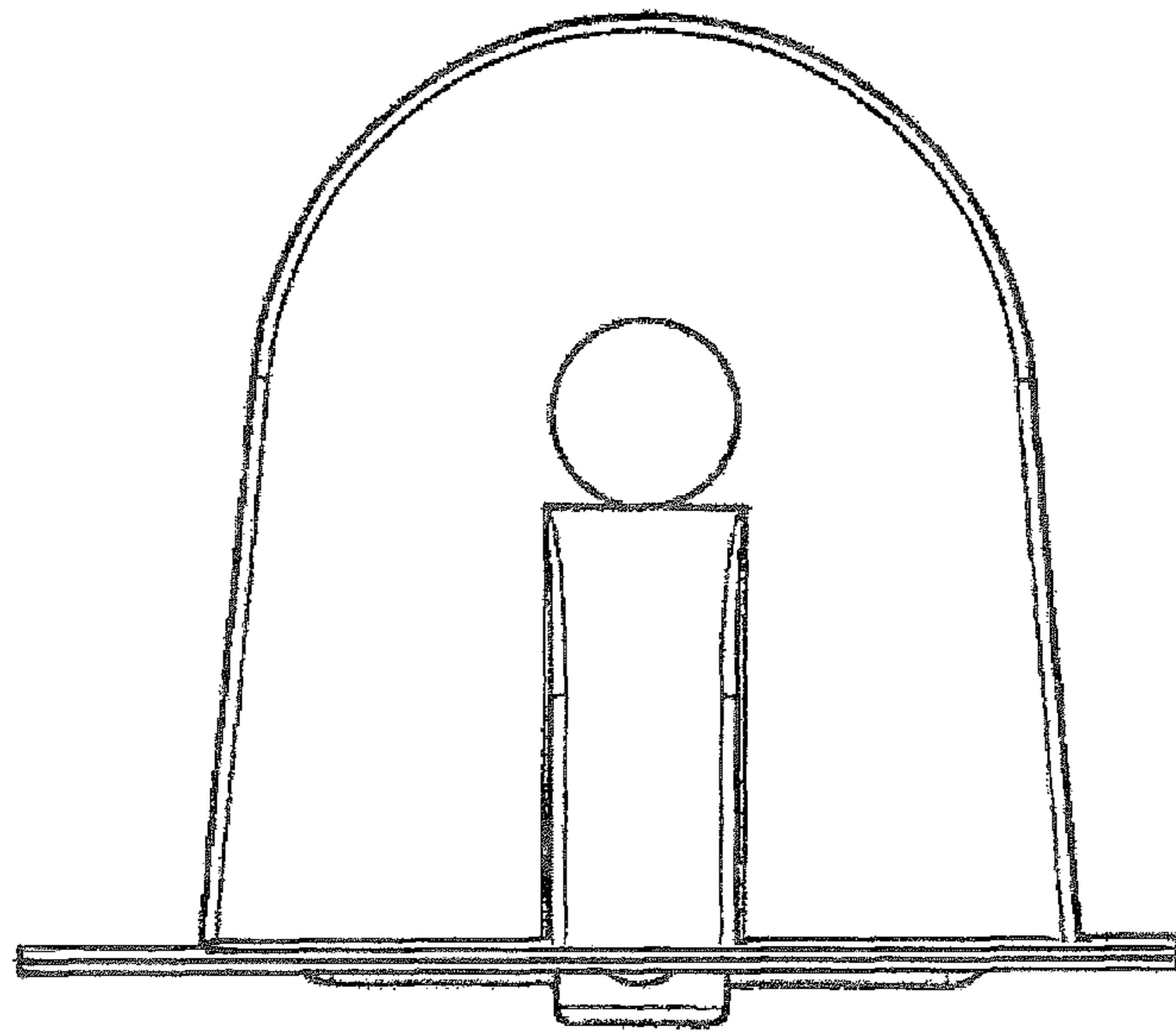


FIG. 11

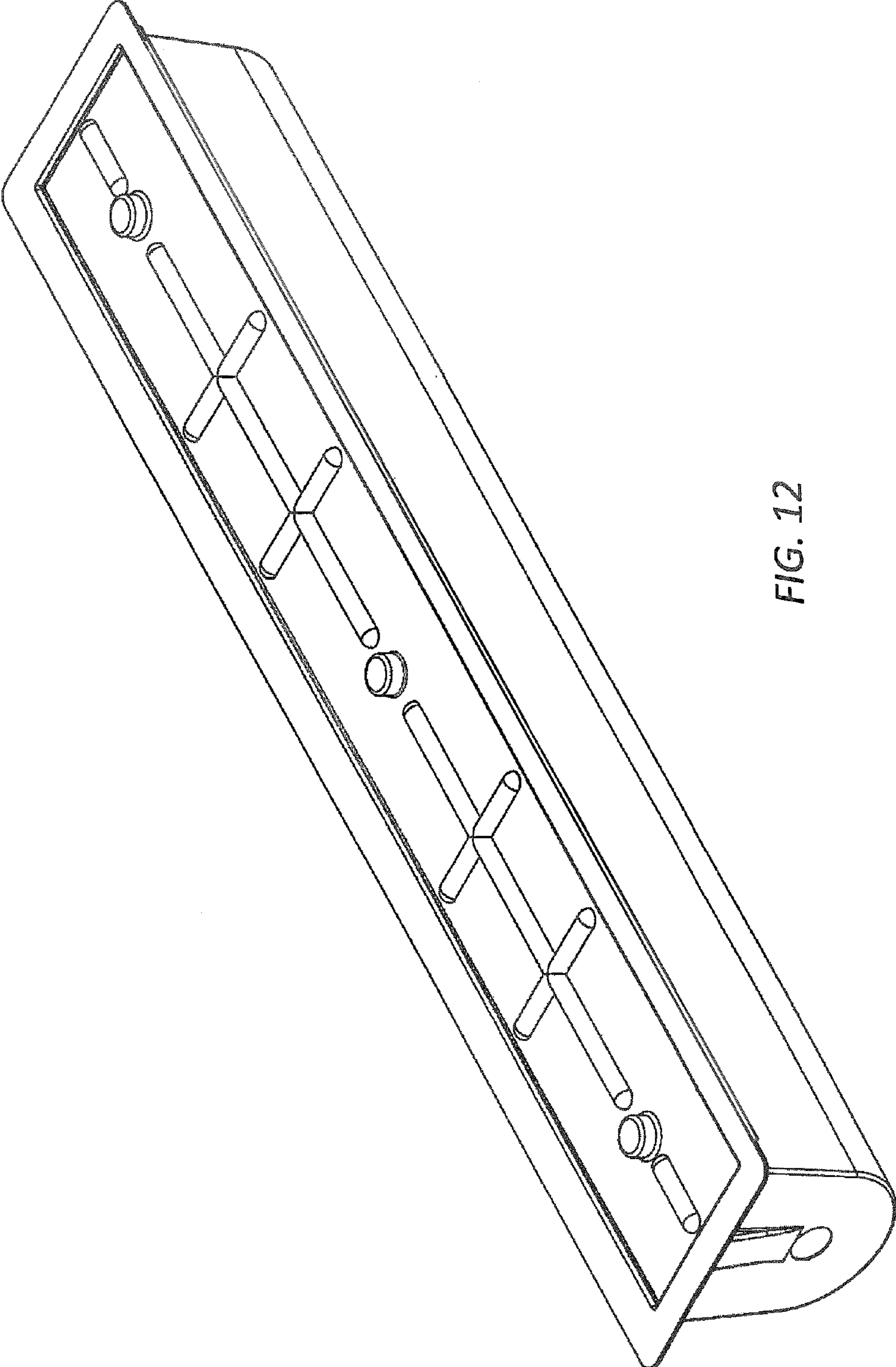


FIG. 12

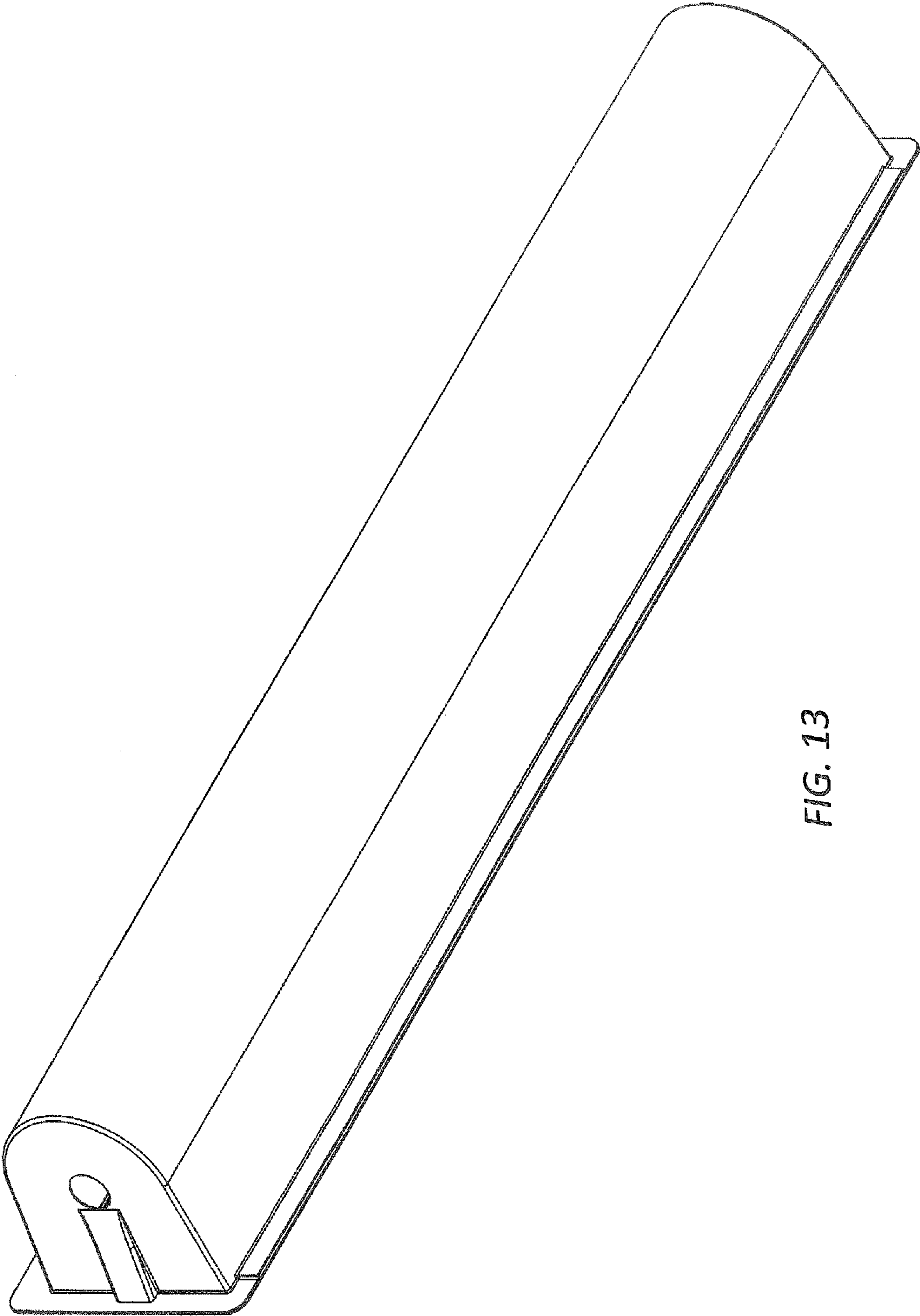


FIG. 13

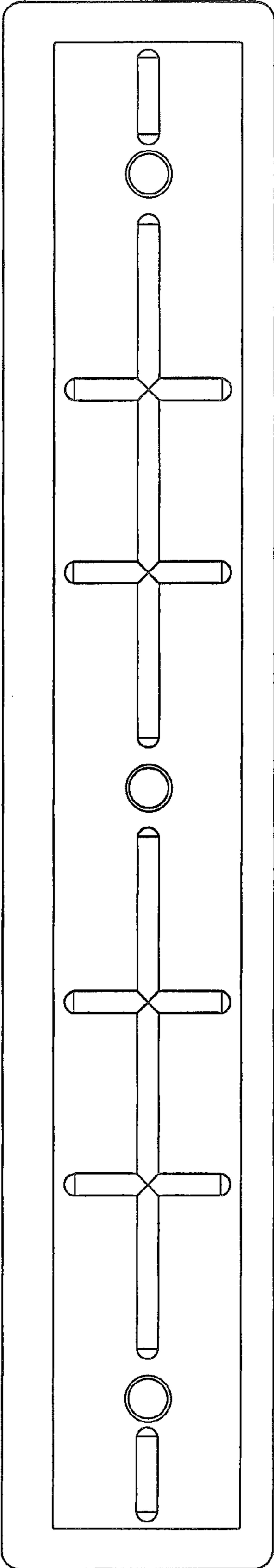


FIG. 14