



US00D726813S

(12) **United States Design Patent**
Gonzalez

(10) **Patent No.:** **US D726,813 S**
(45) **Date of Patent:** **** Apr. 14, 2015**

(54) **CASH COUNT AUDIT APPARATUS**

(71) Applicant: **Carlos Andres Gonzalez**, Miami, FL
(US)

(72) Inventor: **Carlos Andres Gonzalez**, Miami, FL
(US)

(**) Term: **14 Years**

(21) Appl. No.: **29/476,980**

(22) Filed: **Dec. 18, 2013**

(51) **LOC (10) Cl.** **18-01**

(52) **U.S. Cl.**
USPC **D18/3.3**

(58) **Field of Classification Search**
USPC D18/3.1, 3.2, 3.3, 4.1, 4.4, 12, 12.1,
D18/12.3, 46, 47, 48, 49; D99/28, 34, 35,
D99/36, 43, 99; D10/46, 83, 87, 97; 101/2,
101/3.1, 4, 73; 209/2, 3, 4, 509, 534; 235/2,
235/7 A, 7 R, 33, 379; 382/135, 136, 137,
382/138

See application file for complete search history.

(56) **References Cited**

U.S. PATENT DOCUMENTS

3,757,805	A *	9/1973	Puhahn et al.	453/57
D264,847	S *	6/1982	DiBlasio	D18/3.3
D266,004	S *	8/1982	Onda et al.	D18/3.3
4,694,963	A *	9/1987	Takesako	209/534
D294,834	S *	3/1988	McDonald	D18/3.3
5,163,672	A *	11/1992	Mennie	271/187
D338,905	S *	8/1993	Helgeson	D18/3.3
D369,984	S *	5/1996	Larsen	D10/97
D377,766	S *	2/1997	Hidaka et al.	D18/3.3
D427,623	S *	7/2000	Kuwada et al.	D18/3.1
D438,556	S *	3/2001	Kato et al.	D18/3.3
D439,604	S *	3/2001	Takagi et al.	D18/3.3
D452,973	S *	1/2002	Kuwada	D18/3.3
6,351,551	B1 *	2/2002	Munro et al.	382/135
D457,554	S *	5/2002	Takagi et al.	D18/3.3
6,493,461	B1 *	12/2002	Mennie et al.	382/135

D476,679	S *	7/2003	Gonzalez	D18/3.3
D477,350	S *	7/2003	Gonzalez	D18/3.1
6,908,029	B2 *	6/2005	Numata et al.	235/375
6,980,684	B1 *	12/2005	Munro et al.	382/135
D517,115	S *	3/2006	Kuwada	D18/3.3
D539,332	S *	3/2007	Gonzalez	D18/3.3
D560,711	S *	1/2008	Robinson et al.	D18/3.3
D562,377	S *	2/2008	Kuroda	D18/3.3
D590,870	S *	4/2009	Kuwada	D18/3.3
D646,711	S *	10/2011	Funato	D18/3.3
D650,007	S *	12/2011	Inage et al.	D18/3.3
D657,815	S *	4/2012	Iwakami	D18/3.3
D661,727	S *	6/2012	Bleck et al.	D18/3.3
8,204,293	B2 *	6/2012	Csulits et al.	382/135
D663,765	S *	7/2012	Bleck et al.	D18/3.3
D669,525	S *	10/2012	Bleck et al.	D18/3.3
D671,164	S *	11/2012	Bleck et al.	D18/3.3
D676,343	S *	2/2013	Shih et al.	D10/97
D676,344	S *	2/2013	Shih et al.	D10/97
D677,593	S *	3/2013	Shih et al.	D10/97
8,655,045	B2 *	2/2014	Jones et al.	382/135
2005/0035034	A1 *	2/2005	Long et al.	209/534

* cited by examiner

Primary Examiner — Elizabeth J Oswecki
(74) *Attorney, Agent, or Firm* — Albert Bordas, P.A.

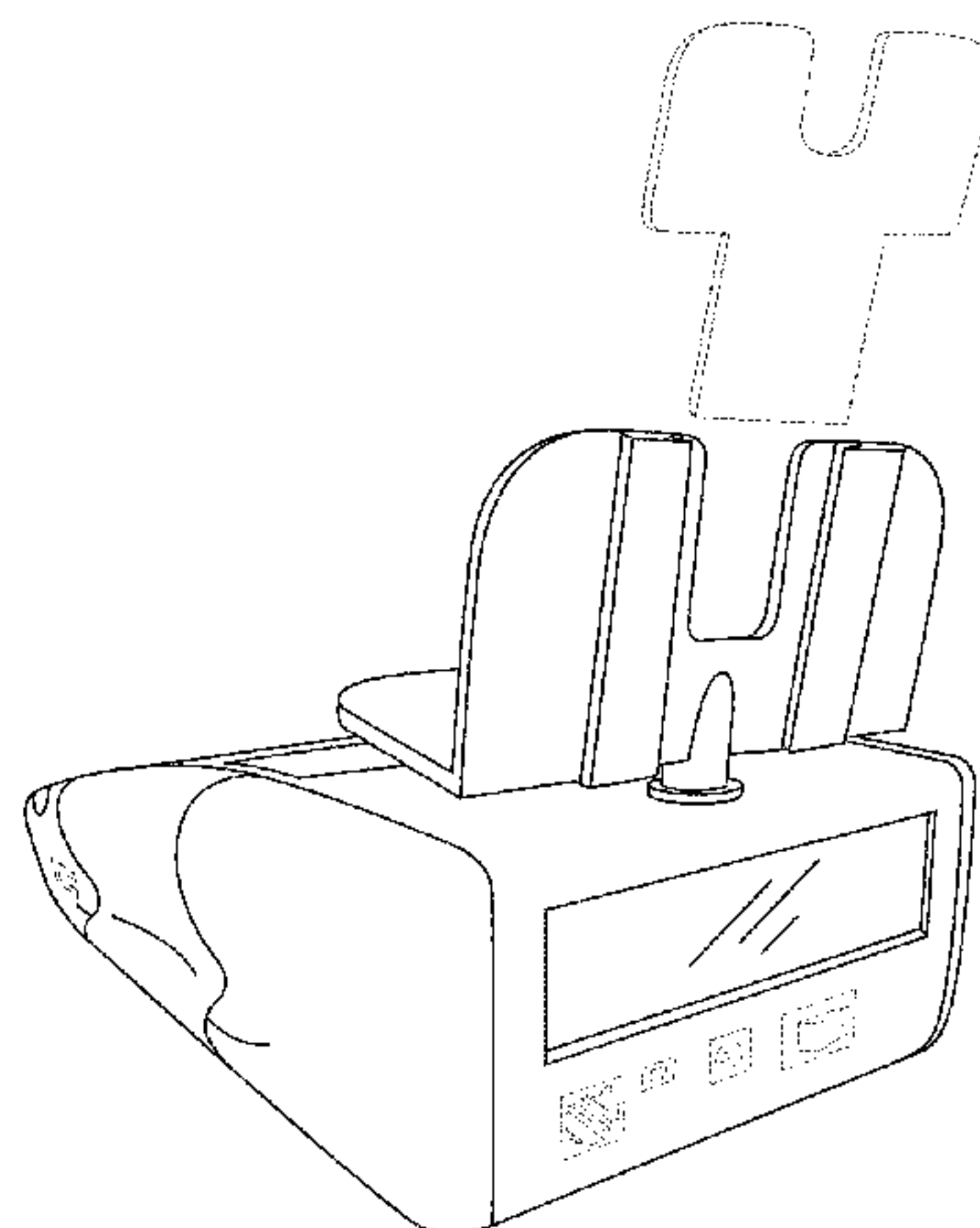
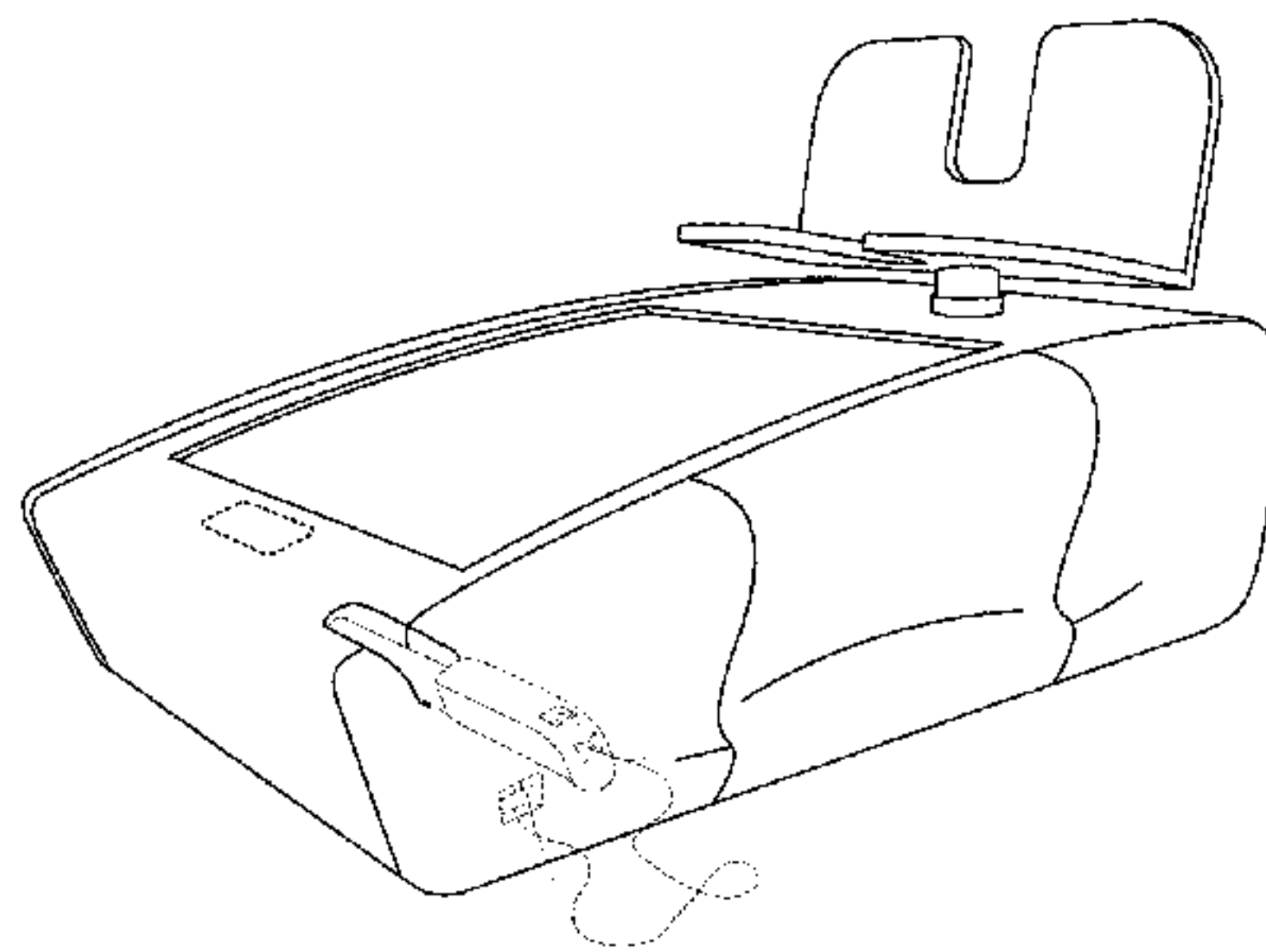
(57) **CLAIM**

The ornamental design for a cash count audit apparatus, as shown and described.

DESCRIPTION

FIG. 1 is a top plan view of a cash count audit apparatus showing my new design;
FIG. 2 is a front elevational view thereof;
FIG. 3 is a bottom plan view thereof;
FIG. 4 is a left side elevational view thereof;
FIG. 5 is a rear elevational view thereof;
FIG. 6 is a right side elevational view thereof;
FIG. 7 is a front isometric view thereof; and,
FIG. 8 is a rear isometric view thereof.
The broken lines are for environmental purposes only and form no part of the claimed design.

1 Claim, 8 Drawing Sheets



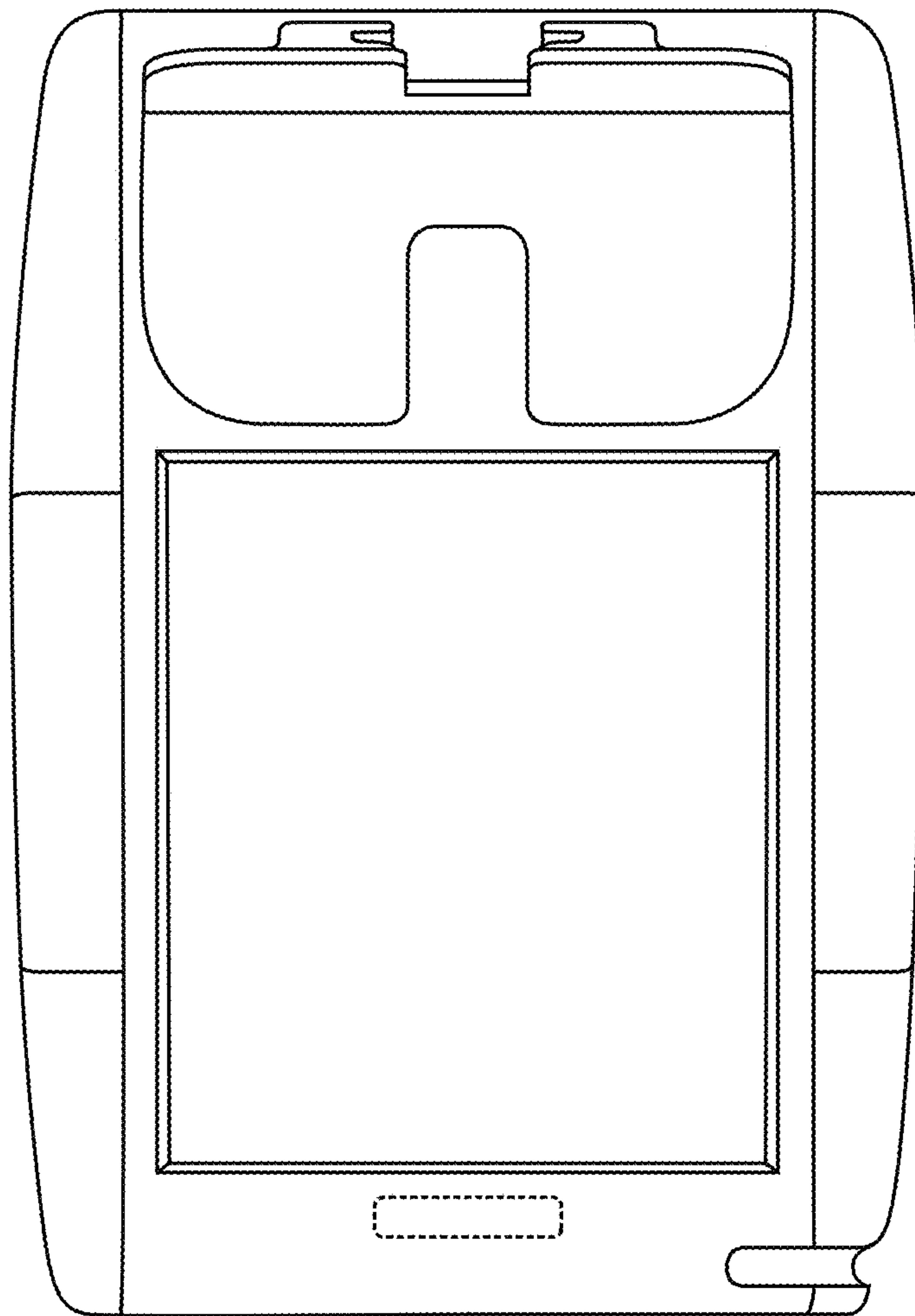


Fig. 1

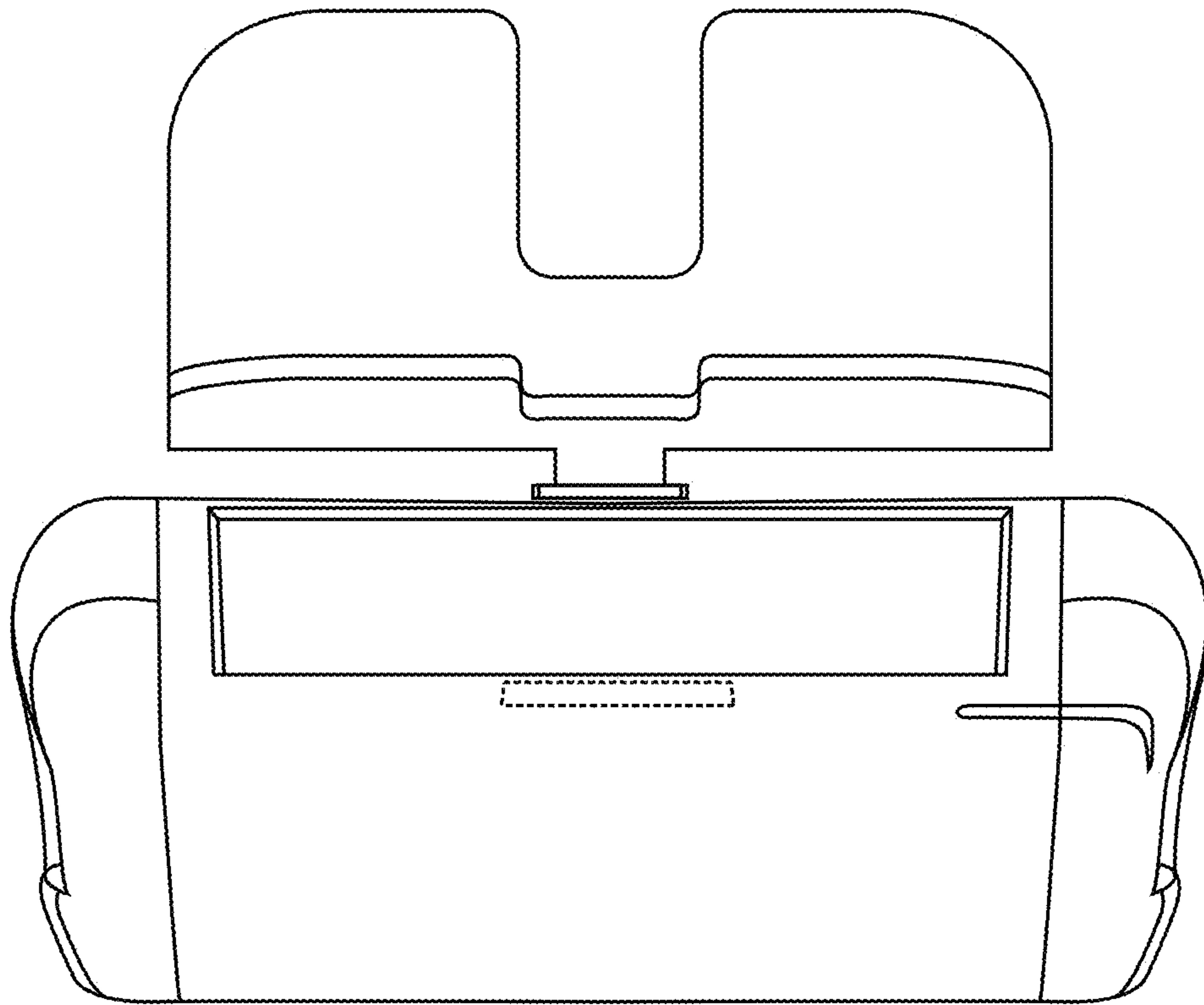


Fig.2

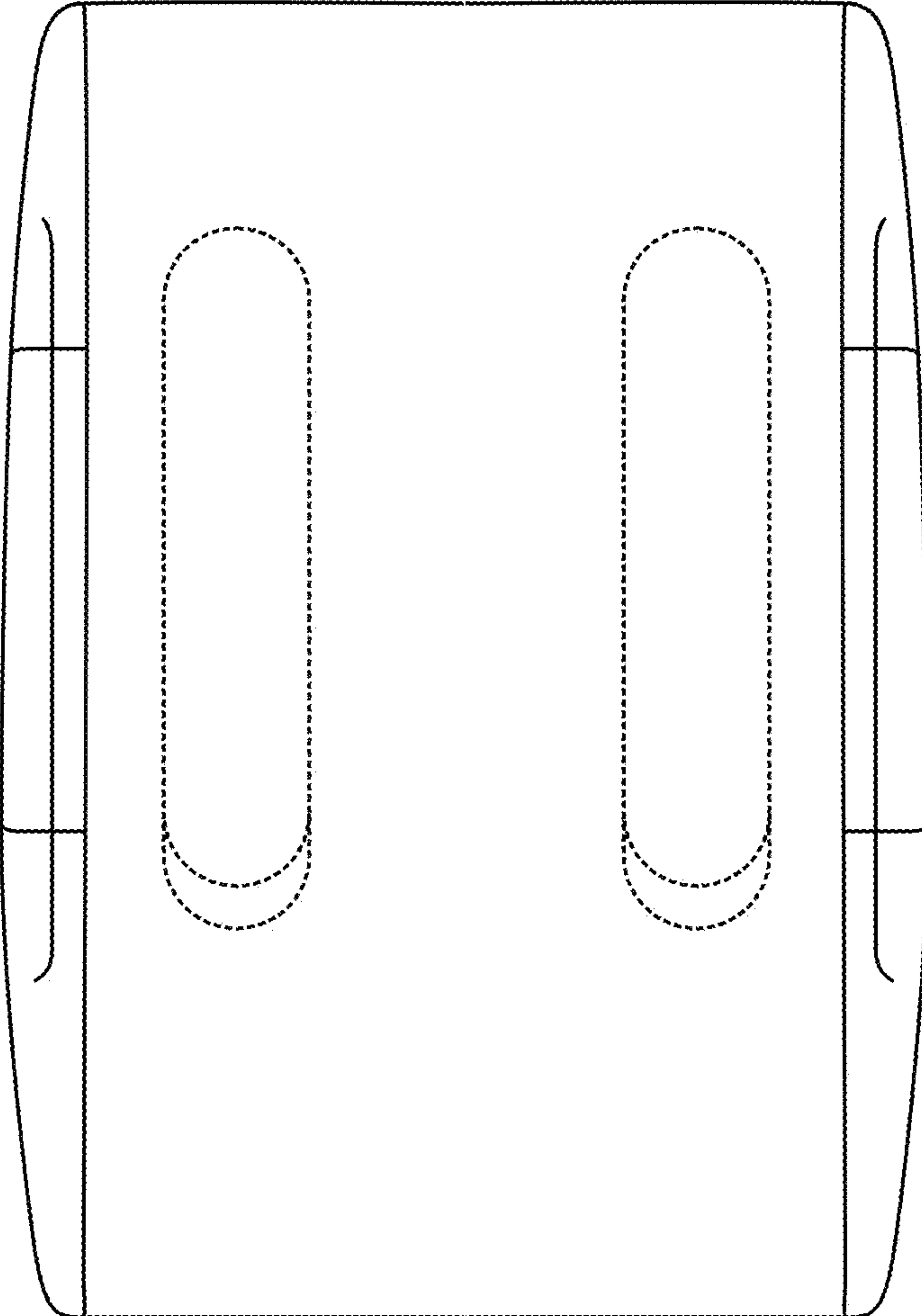


Fig.3

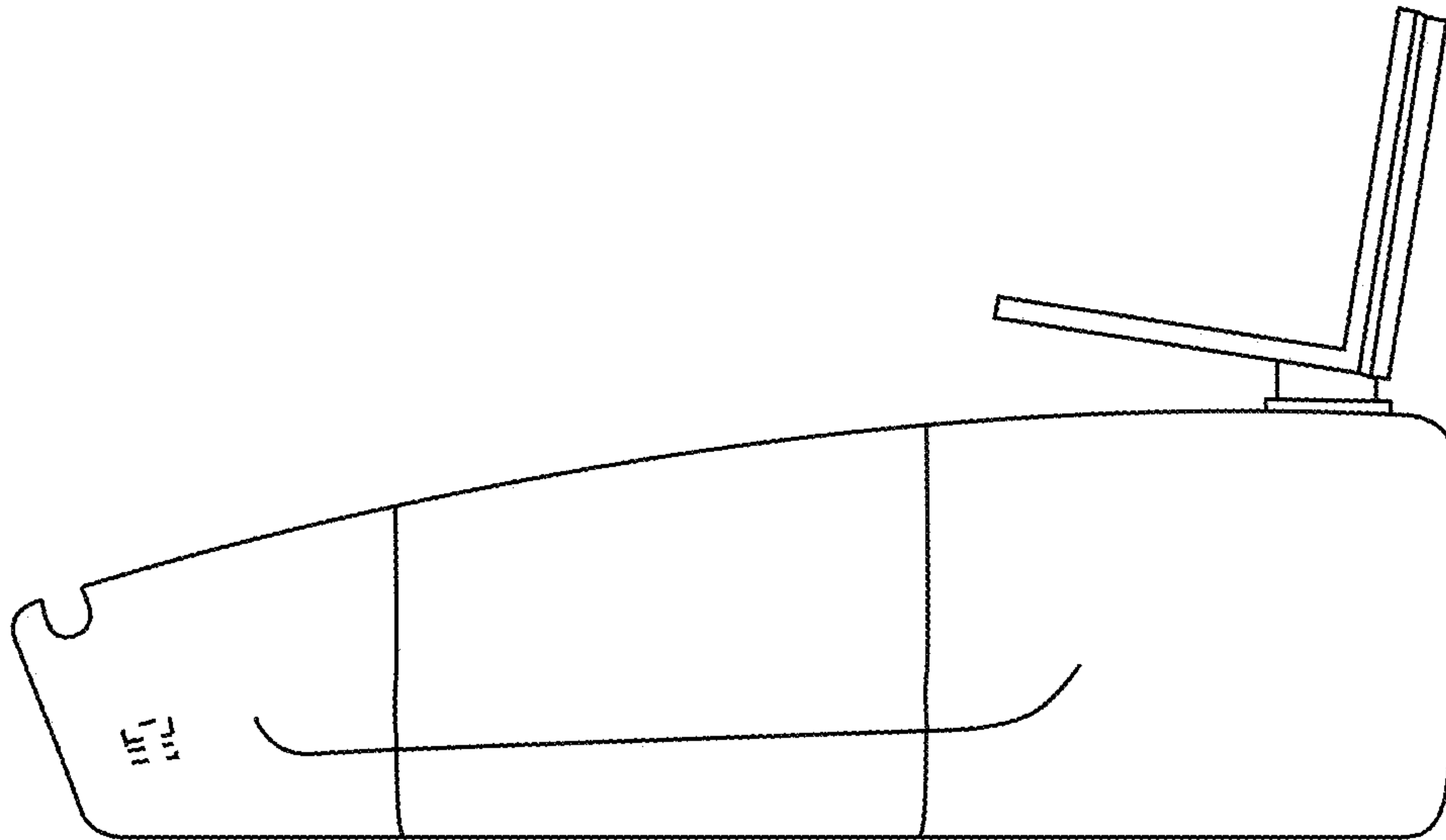


Fig.4

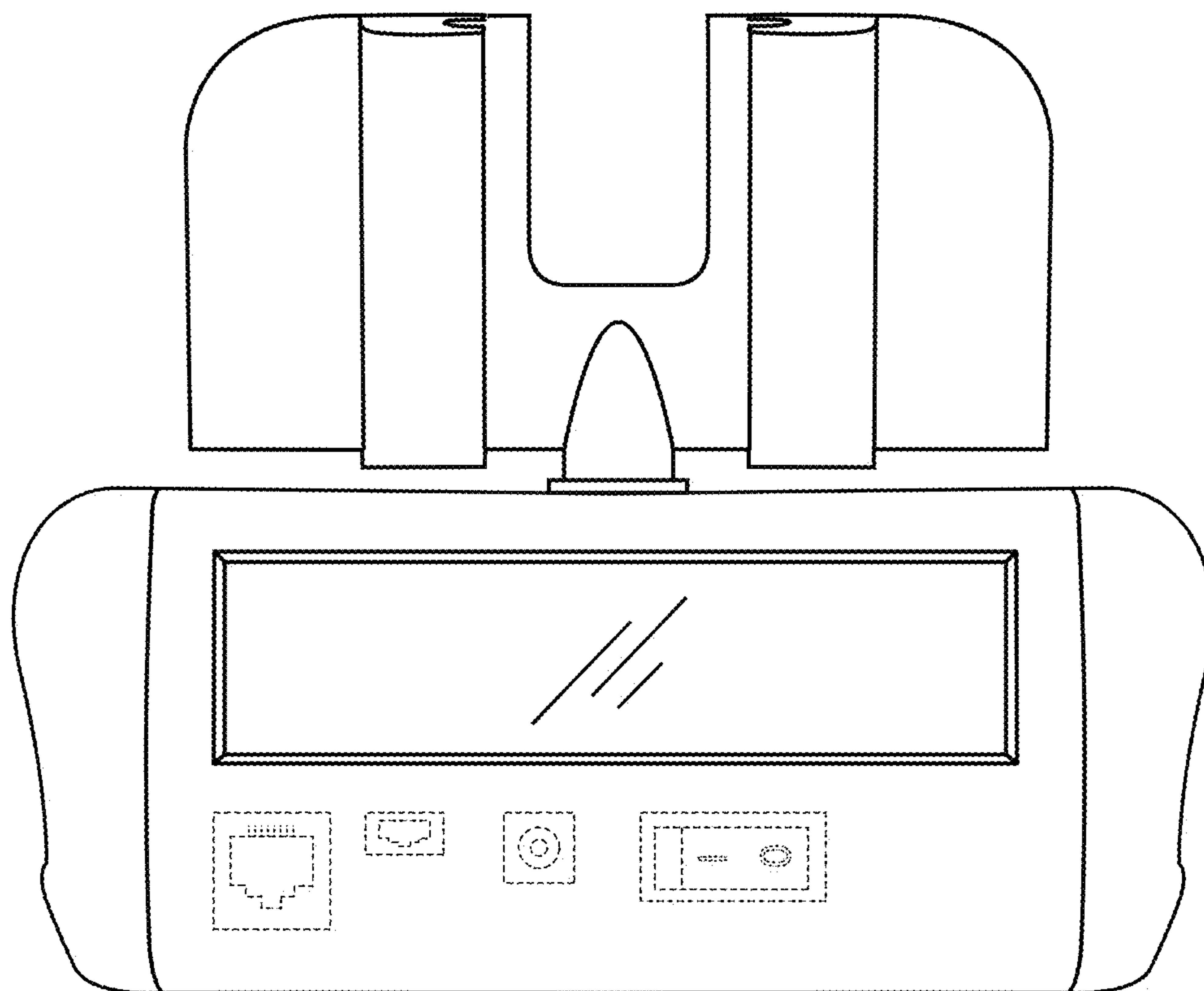


Fig.5

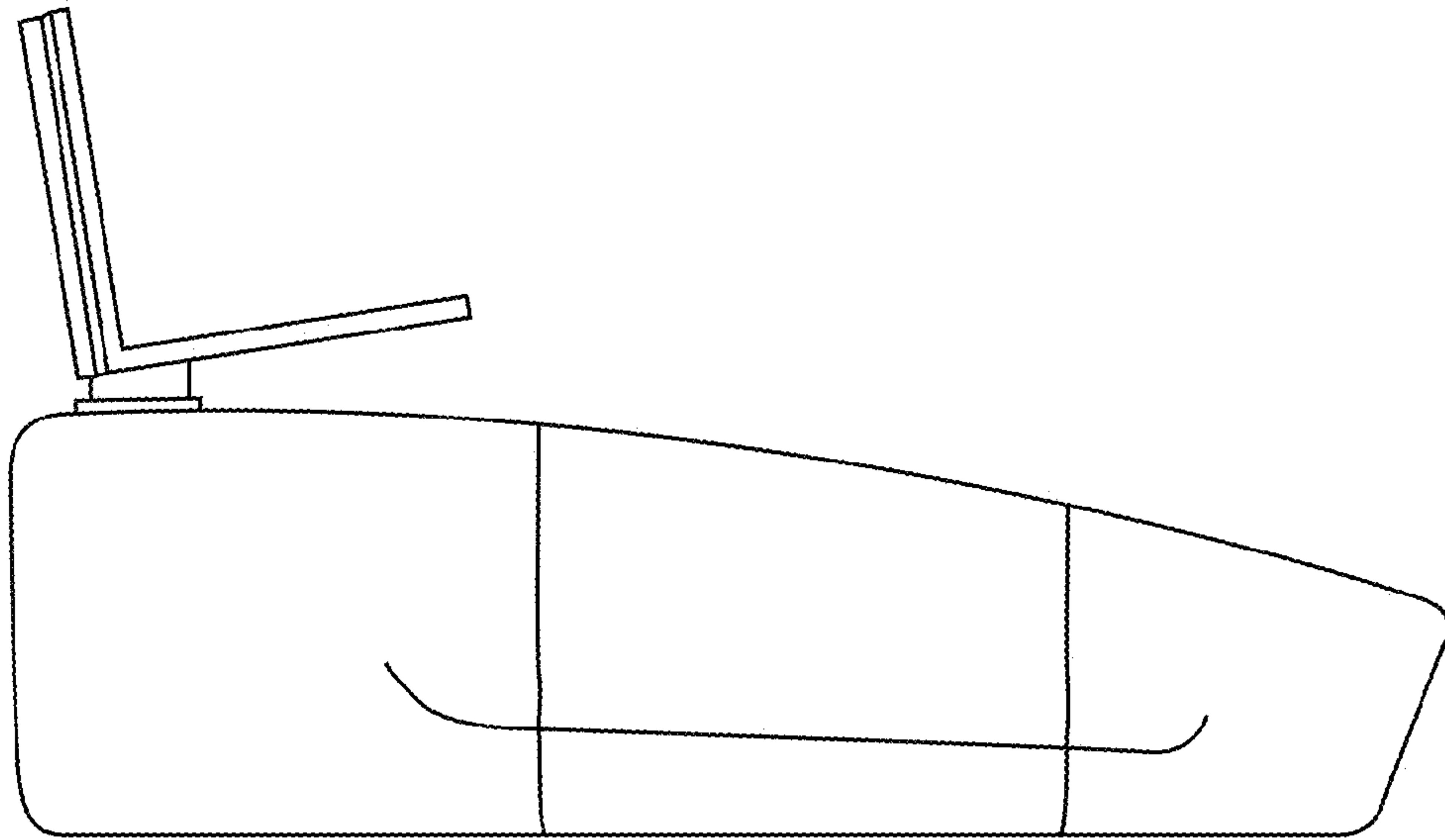


Fig.6

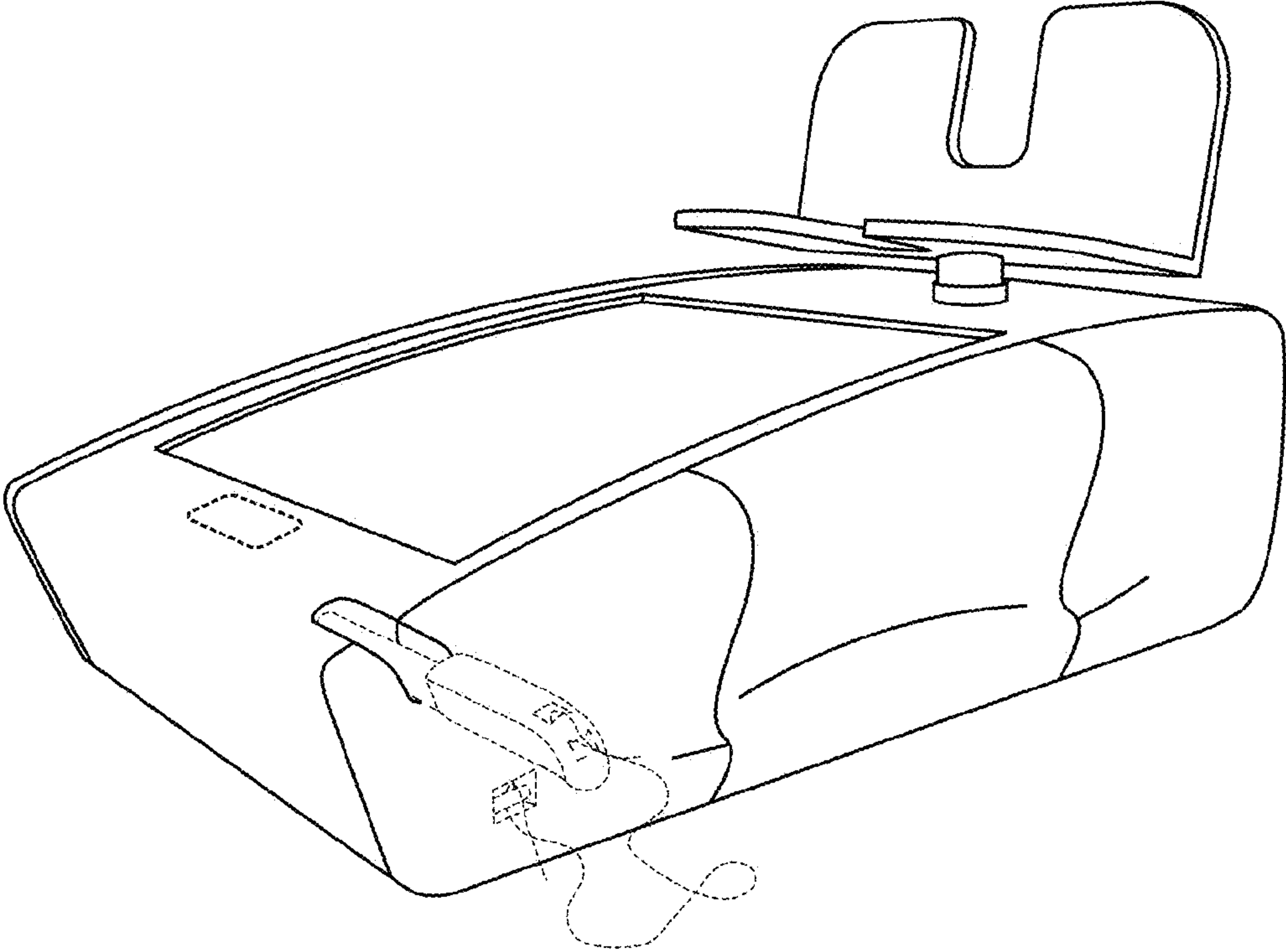


Fig.7

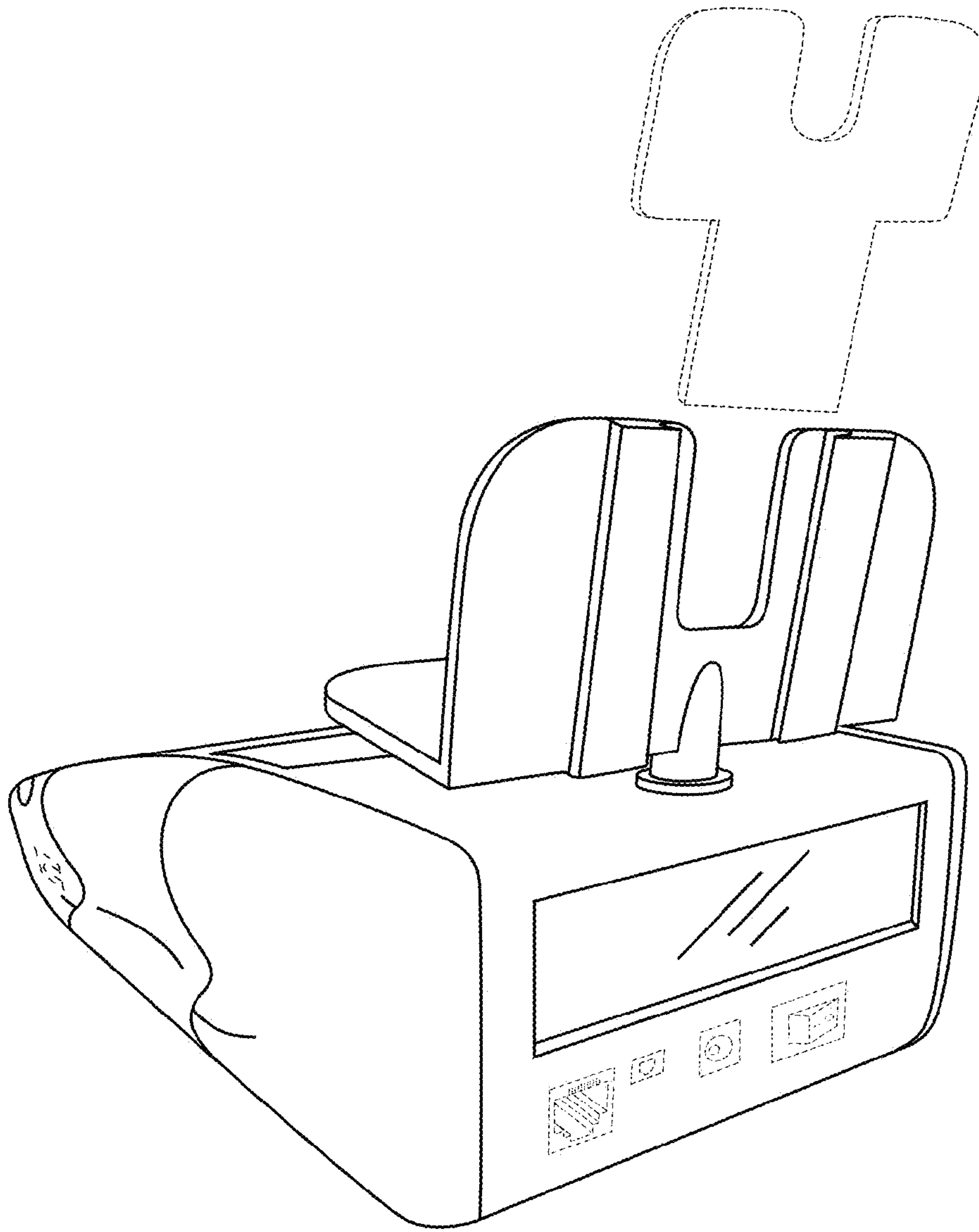


Fig.8