



US00D726810S

(12) **United States Design Patent**  
**Kroman et al.**

(10) **Patent No.:** **US D726,810 S**  
(45) **Date of Patent:** **\*\* Apr. 14, 2015**

(54) **NOSEPIECE ASSEMBLY FOR SPECTACLES**

(75) Inventors: **Flemming Kroman**, Brabrand (DK);  
**Ulrik Caspersen**, Aarhus C (DK); **Lars Bojvad Jensen**, Hojbjerg (DK); **Henrik Lindberg**, Risskov (DK); **Poul-Jorn Lindberg**, Ebeltoft (DK); **Pernille Lindberg**, Beder (DK); **Charlotte Warming**, Aarhus C (DK)

(73) Assignee: **Lindberg A/S**, Abyhoj (DK)

(\*\*) Term: **14 Years**

(21) Appl. No.: **29/431,479**

(22) Filed: **Sep. 7, 2012**

(30) **Foreign Application Priority Data**

Mar. 7, 2012 (EM) ..... 002004606

(51) **LOC (10) Cl.** ..... **16-06**

(52) **U.S. Cl.**  
USPC ..... **D16/332**

(58) **Field of Classification Search**  
USPC ..... D16/101, 300-342; D29/109-110;  
351/41, 44, 51, 52, 62, 92, 103-123,  
351/140, 153, 158; 2/12  
See application file for complete search history.

(56) **References Cited**

**U.S. PATENT DOCUMENTS**

D329,446 S \* 9/1992 Negishi ..... D16/332  
D431,586 S \* 10/2000 Wolfe ..... D16/314  
D455,451 S \* 4/2002 Onodera ..... D16/315  
D473,893 S \* 4/2003 Wang-Lee ..... D16/314  
D480,413 S \* 10/2003 Nielsen ..... D16/328  
D491,214 S \* 6/2004 Nielsen ..... D16/327  
6,948,811 B2 \* 9/2005 Kroman ..... 351/153

D540,369 S \* 4/2007 Mouclier ..... D16/315  
D593,593 S \* 6/2009 Fuchs ..... D16/315  
D651,637 S \* 1/2012 Chow ..... D16/300  
D692,046 S \* 10/2013 Fuchs ..... D16/315

**OTHER PUBLICATIONS**

Lindberg Frames #6502. Lindberg.com. One page. Found online May 21, 2014 at <http://lindberg.com/#/showroom/women/>.  
Lindberg Frames #6506. Lindberg.com. One page. Found online May 21, 2014 at <http://lindberg.com/#/showroom/men/>.  
See Line Prescription Eyeglasses, GlassesUSA.com. 7 pages. Found online May 23, 2014 at <http://www.glassesusa.com/see-line-wsac02-clear-na.html>.

\* cited by examiner

*Primary Examiner* — Robert M Spear

(74) *Attorney, Agent, or Firm* — Sheridan Ross P.C.

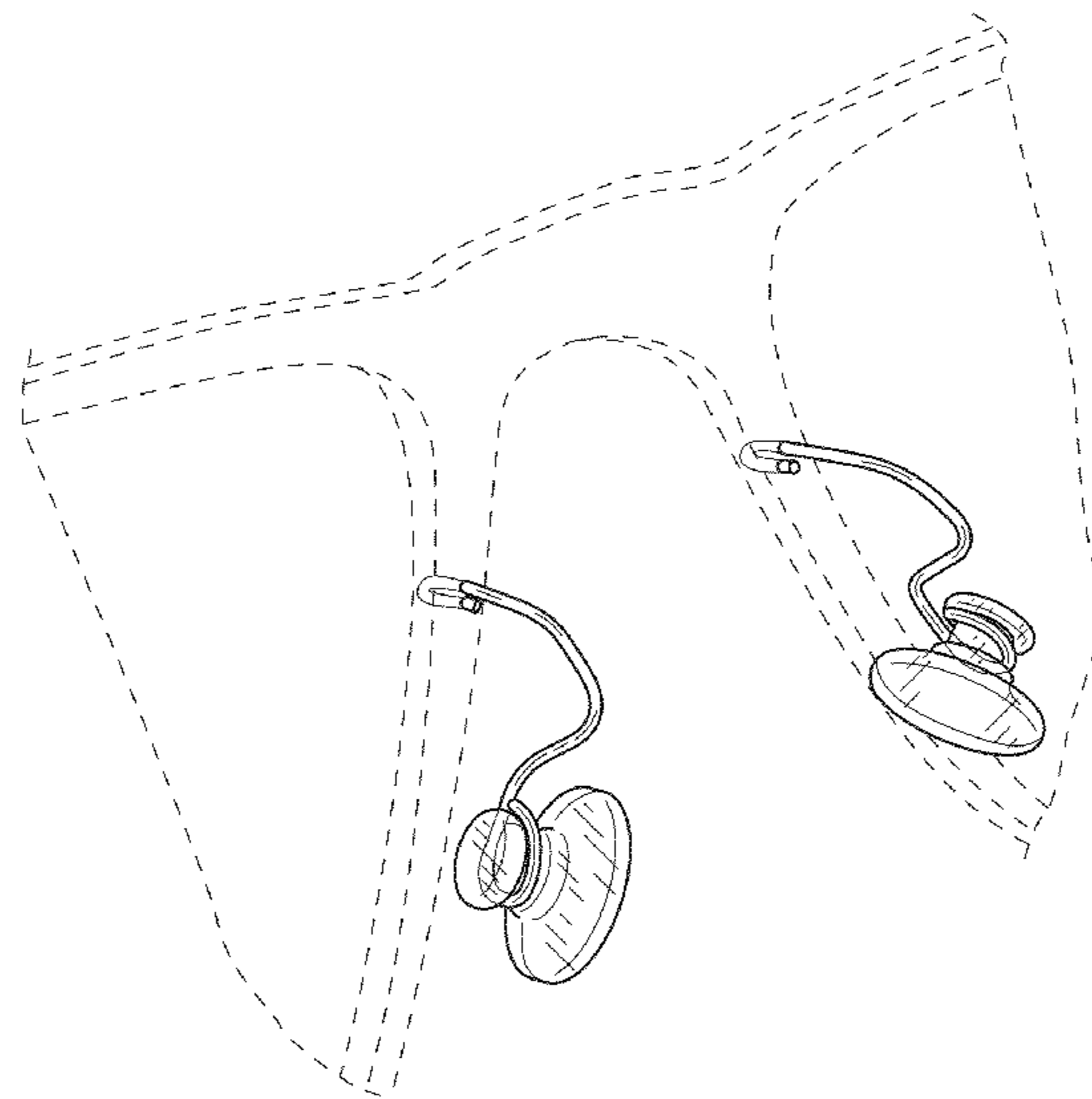
(57) **CLAIM**

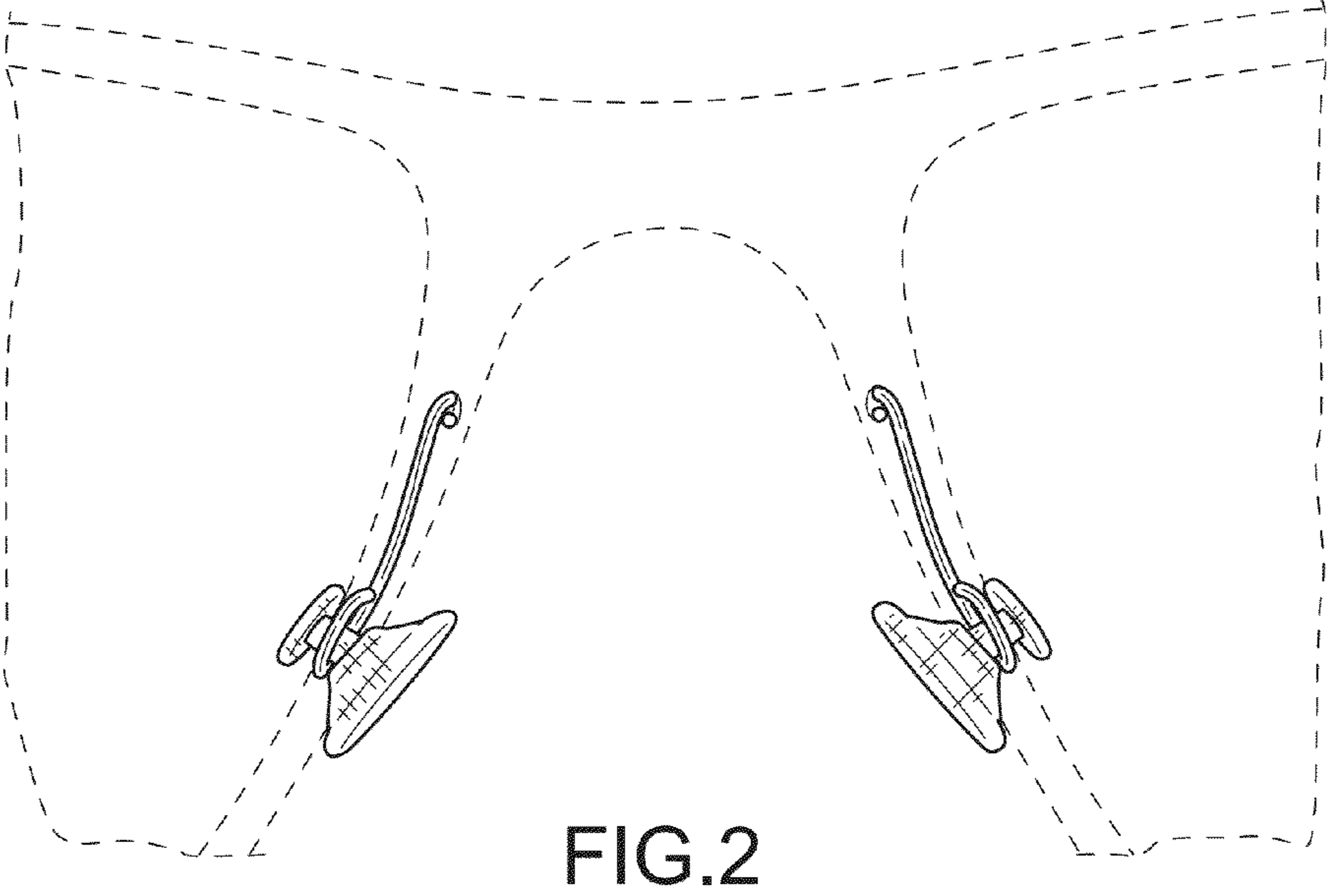
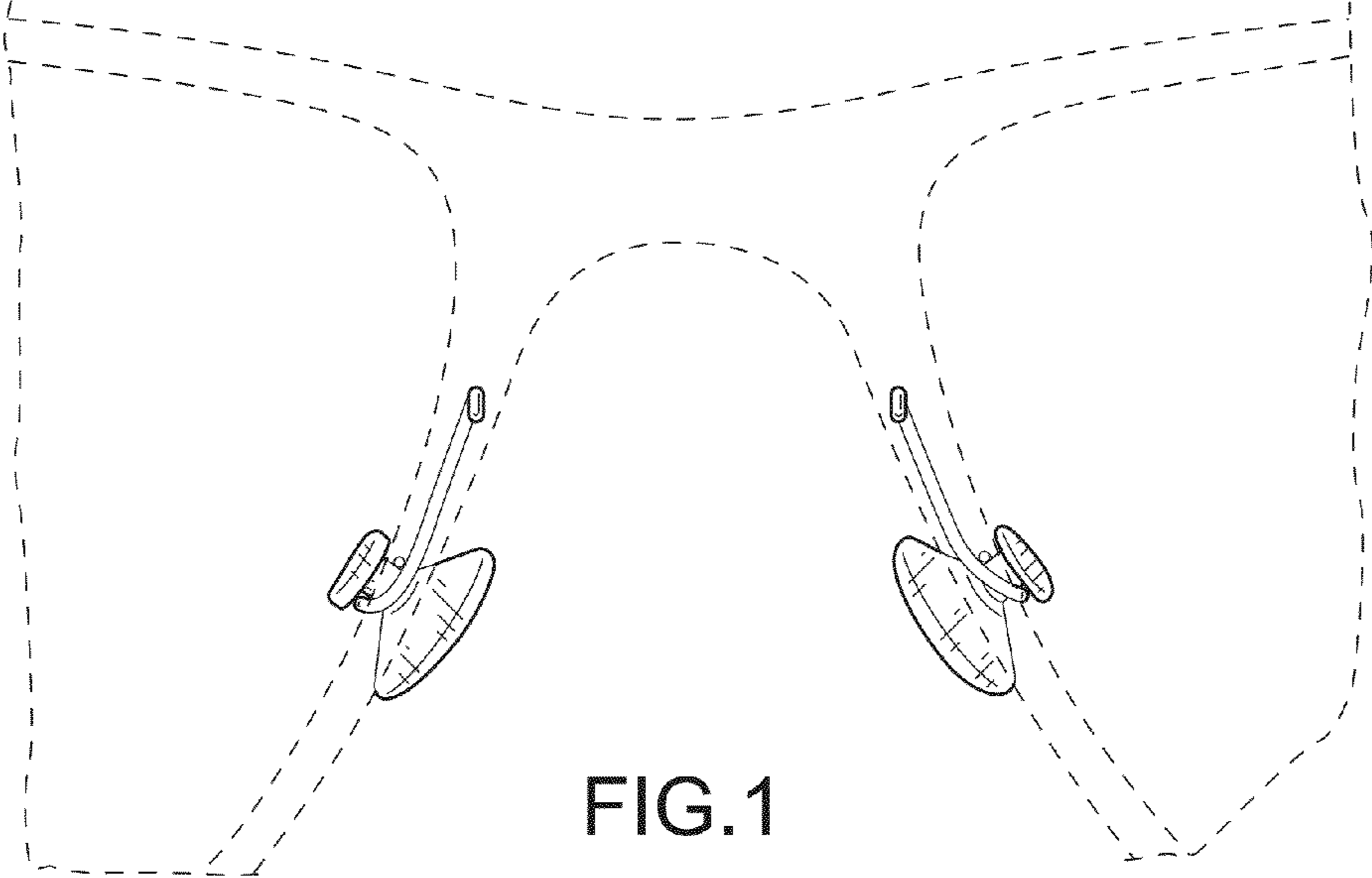
The ornamental design for a nosepiece assembly for spectacles, as shown and described.

**DESCRIPTION**

FIG. 1 is a front view of the nosepiece assembly for spectacles;  
FIG. 2 is a rear view of the invention illustrated in FIG. 1;  
FIG. 3 is a top view of the invention illustrated in FIG. 1;  
FIG. 4 is a bottom view of the invention illustrated in FIG. 1;  
FIG. 5 is a left side view of the invention illustrated in FIG. 1;  
FIG. 6 is a right side view of the invention illustrated in FIG. 1; and,  
FIG. 7 is a perspective view of the invention illustrated in FIG. 1.  
The broken lines are for illustration purposes only and form no part of the claimed design.

**1 Claim, 4 Drawing Sheets**





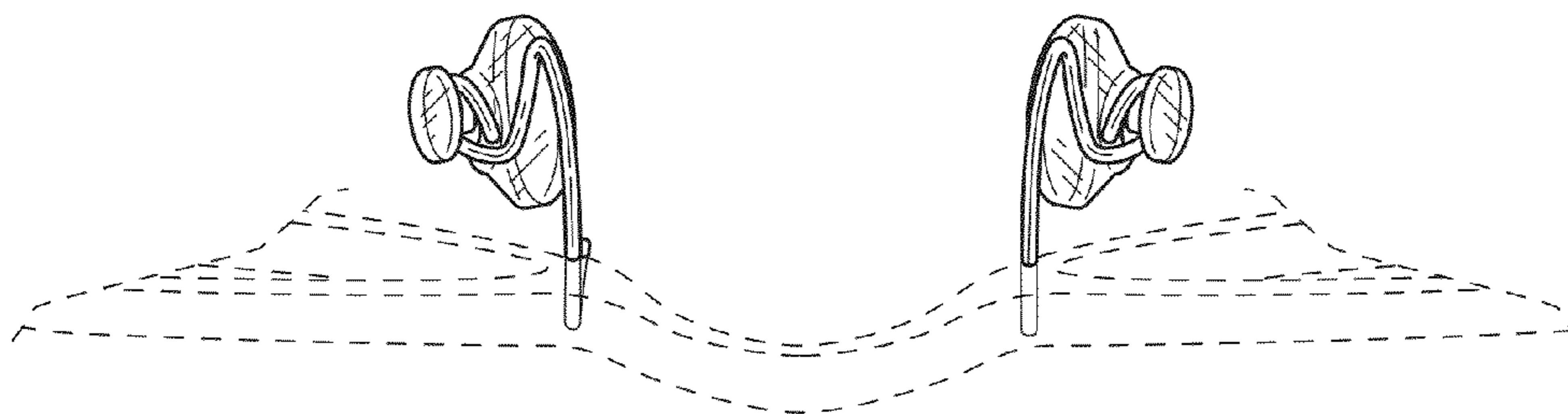


FIG.3

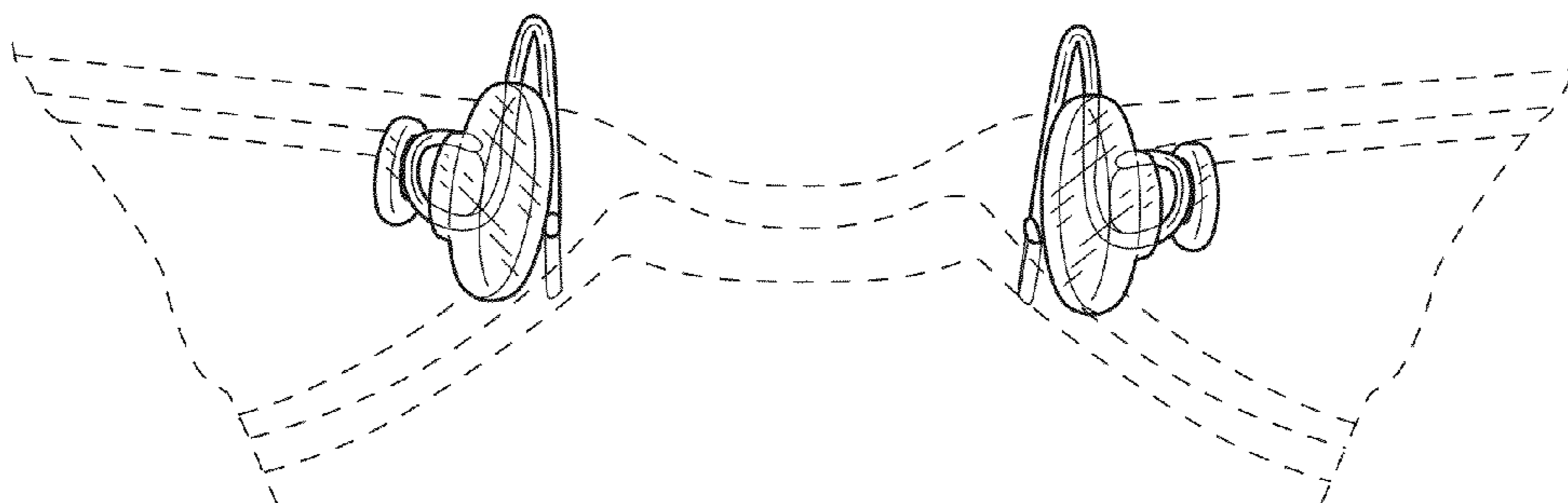


FIG.4

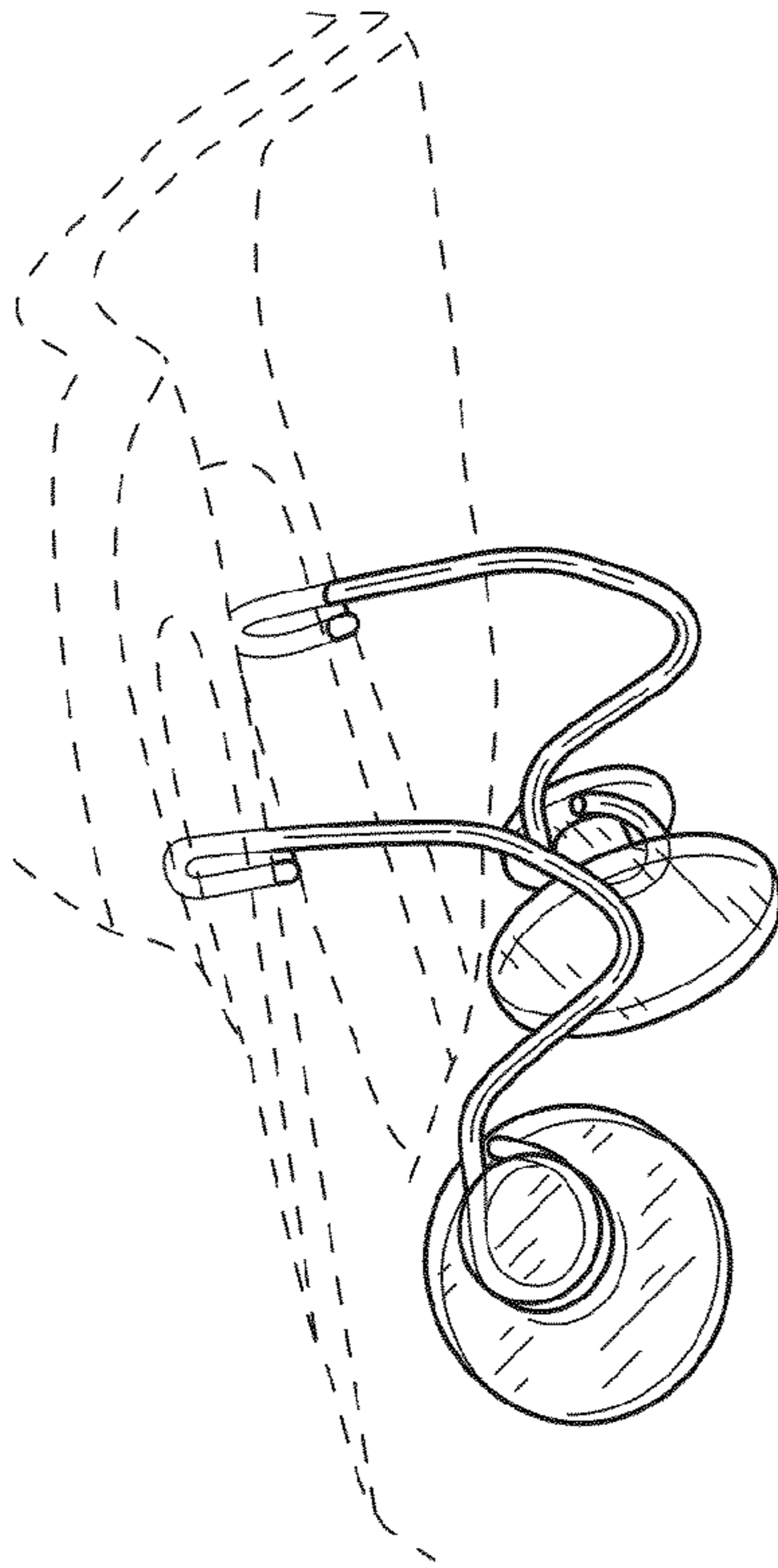


FIG. 5

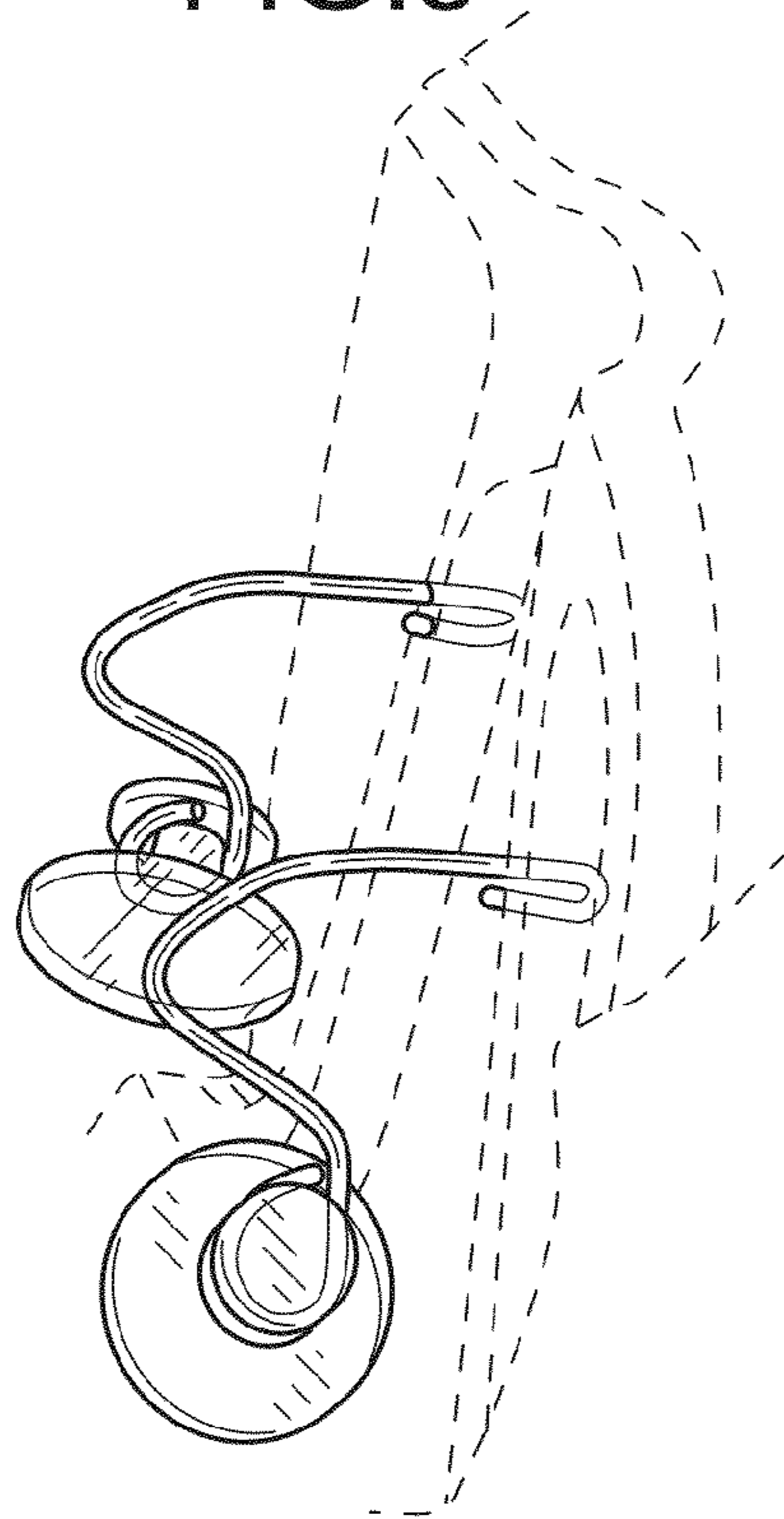


FIG. 6

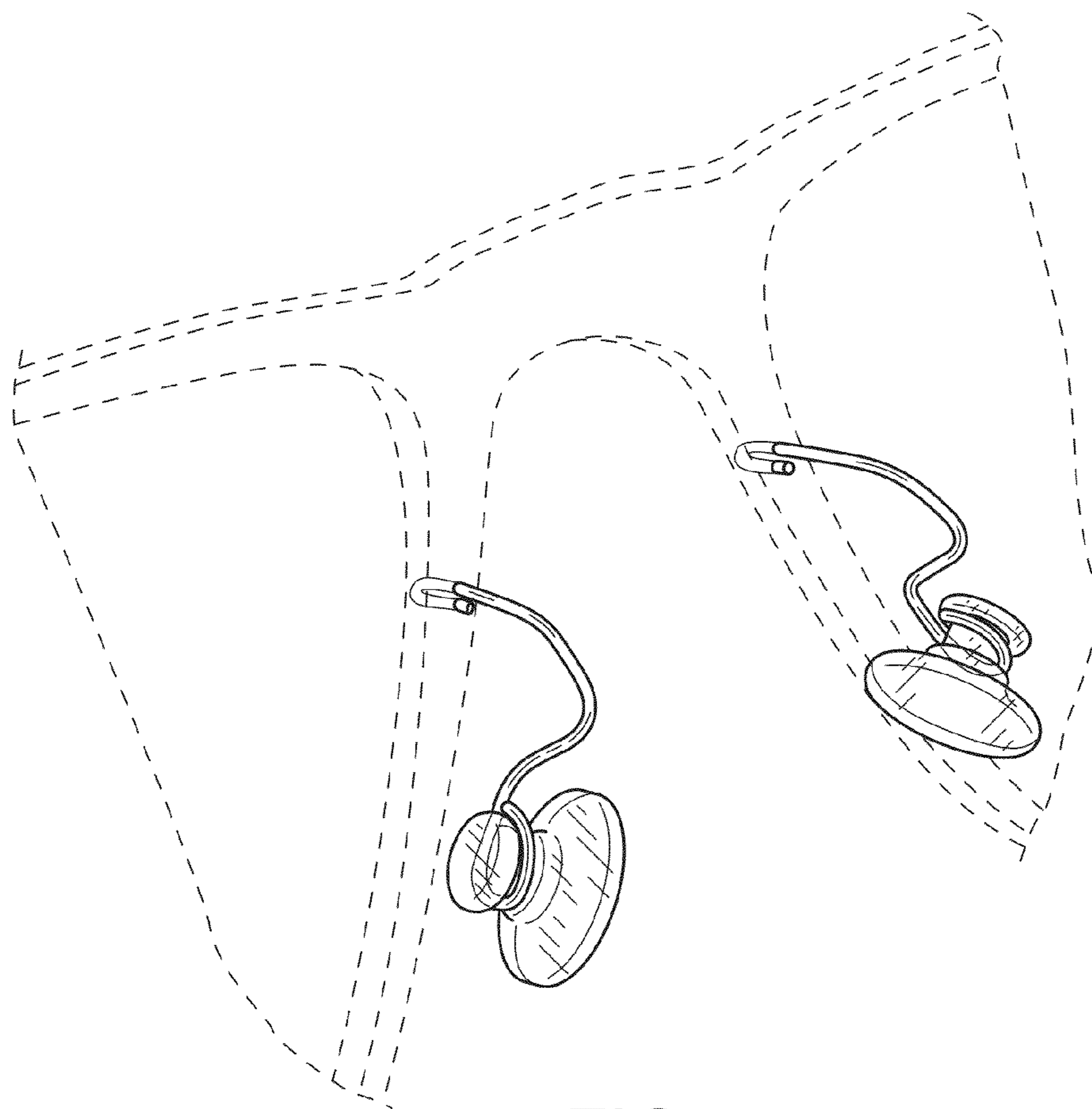


FIG. 7