



US00D726808S

(12) **United States Design Patent**
Sammons et al.

(10) **Patent No.:** **US D726,808 S**
(45) **Date of Patent:** **** Apr. 14, 2015**

(54) **MOUNTING AND POSITIONING UNIT FOR POINTING DEVICE**

(71) Applicant: **H4 Engineering, Inc.**, San Antonio, TX (US)

(72) Inventors: **Alexander G. Sammons**, San Antonio, TX (US); **Christopher T. Boyle**, San Antonio, TX (US); **Scott K. Taylor**, San Antonio, TX (US)

(73) Assignee: **H4 Engineering, Inc.**, San Antonio, TX (US)

(**) Term: **14 Years**

(21) Appl. No.: **29/478,378**

(22) Filed: **Jan. 3, 2014**

(51) **LOC (10) Cl.** **16-05**

(52) **U.S. Cl.**
USPC **D16/242**

(58) **Field of Classification Search**
CPC G03B 17/14; G03B 17/26; G03B 17/30; G03B 17/56; G03B 17/561-17/568; G03B 21/54; F16M 11/14; F16M 11/26; F16M 13/04; H04N 5/2254
USPC D16/205, 208, 211, 214, 218-220, 235, D16/237-250, 302, 303; D8/354, 363, 394, D8/395; D14/217, 251, 253, 447, 452
See application file for complete search history.

(56) **References Cited**

U.S. PATENT DOCUMENTS

| | | |
|------------|---------|---------------|
| D121,995 S | 8/1940 | May |
| D200,604 S | 3/1965 | Waterman |
| D207,806 S | 5/1967 | Braun |
| D295,739 S | 5/1988 | Lanci et al. |
| D343,354 S | 1/1994 | Ashley et al. |
| D374,858 S | 10/1996 | Chu |
| D412,338 S | 7/1999 | Goto et al. |
| D427,965 S | 7/2000 | Wu |

| | | |
|------------|---------|------------------|
| D478,608 S | 8/2003 | Briks et al. |
| D484,797 S | 1/2004 | Kipperman et al. |
| D492,295 S | 6/2004 | Glatt |
| D529,447 S | 10/2006 | Greenfield |
| D544,437 S | 6/2007 | Hussaini et al. |
| D556,571 S | 12/2007 | Jalet |
| D557,204 S | 12/2007 | Panbianco et al. |

(Continued)

Primary Examiner — Susan Bennett Hattan

Assistant Examiner — Vy Koenig

(74) *Attorney, Agent, or Firm* — Volk & McElroy, LLP; Michael D. Volk, Jr.

(57) **CLAIM**

The ornamental design for a mounting and positioning unit for pointing device, as shown and described.

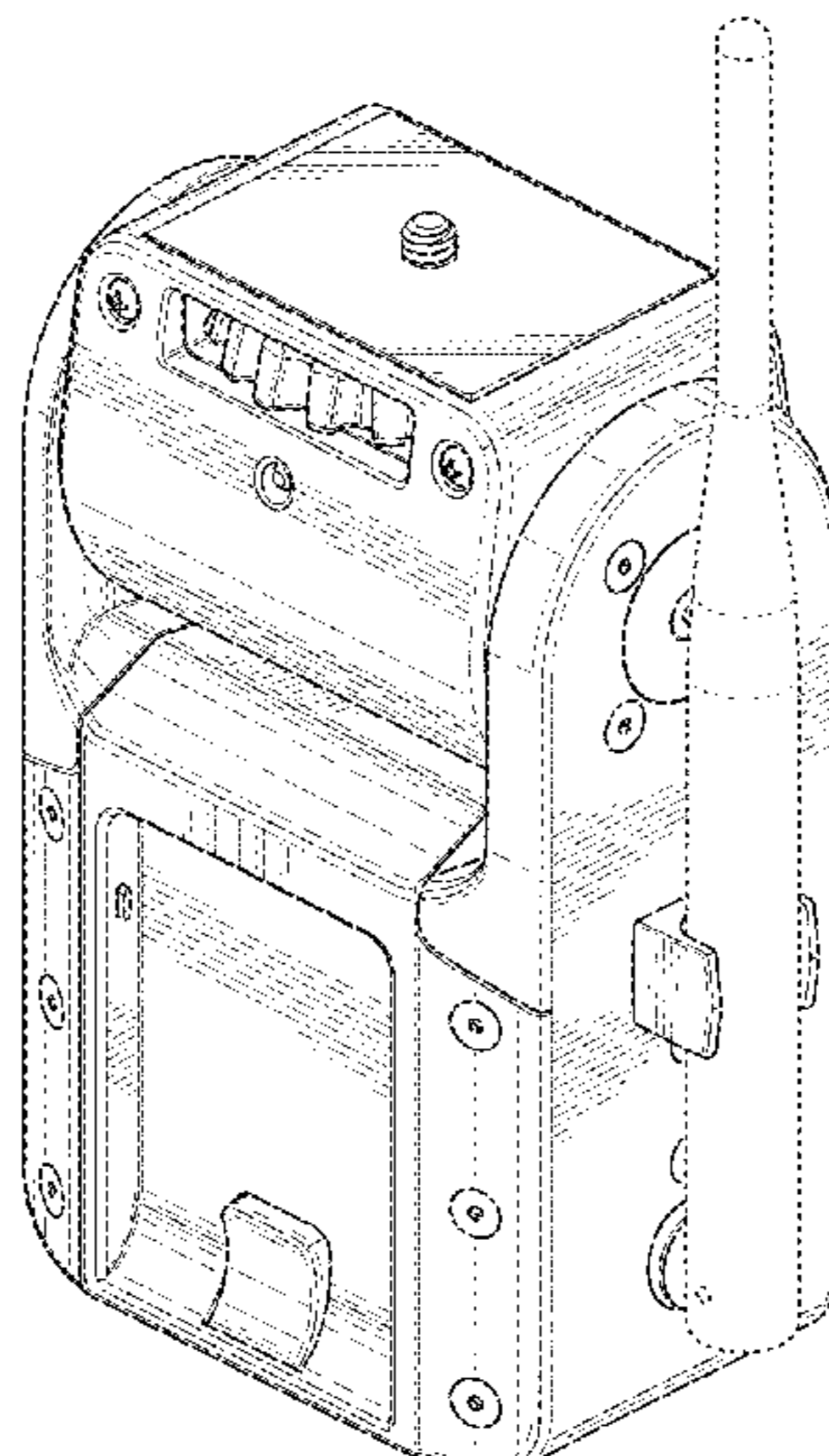
DESCRIPTION

FIG. 1 is a front perspective view of a mounting and positioning unit for pointing device showing the new design; FIG. 2 is a back perspective view thereof; FIG. 3 is a top view thereof; FIG. 4 is a bottom view thereof; FIG. 5 is a back view thereof; FIG. 6 is a front view thereof; FIG. 7 is a right side view thereof; FIG. 8 is a left side view thereof; FIG. 9 is a front perspective view thereof showing the top portion in an alternate position; FIG. 10 is a front perspective view thereof showing the top portion in another alternate position; FIG. 11 is a front perspective view thereof showing the top portion in yet another alternate position; and, FIG. 12 is a front perspective view thereof showing the top portion in yet another alternate position.

The broken lines in the drawings depict environmental features and form no part of the claimed design.

The claimed mounting and positioning unit for pointing device is used to mount and position a pointing device, such as, for example, a video recording device or a camera.

1 Claim, 10 Drawing Sheets



(56)

References Cited

U.S. PATENT DOCUMENTS

| | | | |
|-----------------|---------|-----------------------|---------|
| D591,231 S | 4/2009 | Wung et al. | |
| D592,131 S | 5/2009 | Heinzen et al. | |
| D603,840 S * | 11/2009 | Lee et al. | D14/217 |
| D604,605 S | 11/2009 | Chung et al. | |
| D606,492 S | 12/2009 | Steinfels | |
| D623,124 S | 9/2010 | Nomi et al. | |
| D628,201 S * | 11/2010 | Tian et al. | D14/434 |
| D637,553 S * | 5/2011 | Shin | D13/107 |
| D643,808 S | 8/2011 | Shaper | |
| D653,693 S | 2/2012 | Jannard et al. | |
| D654,018 S | 2/2012 | Conley et al. | |
| D658,700 S | 5/2012 | Jannard et al. | |
| D659,091 S | 5/2012 | Sasada et al. | |
| D663,264 S * | 7/2012 | London | D13/103 |
| D673,201 S * | 12/2012 | Nakamura et al. | D16/200 |
| D680,952 S | 4/2013 | Henderson et al. | |
| D684,210 S | 6/2013 | Boyle et al. | |
| D686,569 S * | 7/2013 | Lau | D13/103 |
| D687,768 S | 8/2013 | Minamikawa | |
| D689,017 S | 9/2013 | Ambrose et al. | |
| D690,199 S | 9/2013 | Lee et al. | |
| D702,236 S * | 4/2014 | Gelinotte et al. | D14/420 |
| D703,719 S | 4/2014 | Boyle et al. | |
| 8,704,904 B2 | 4/2014 | Boyle et al. | |
| D704,762 S | 5/2014 | Boyle et al. | |
| 2013/0162852 A1 | 6/2013 | Boyle et al. | |
| 2013/0199251 A1 | 8/2013 | Taylor et al. | |
| 2013/0229528 A1 | 9/2013 | Taylor et al. | |
| 2013/0230293 A1 | 9/2013 | Boyle et al. | |
| 2013/0242105 A1 | 9/2013 | Boyle et al. | |

* cited by examiner

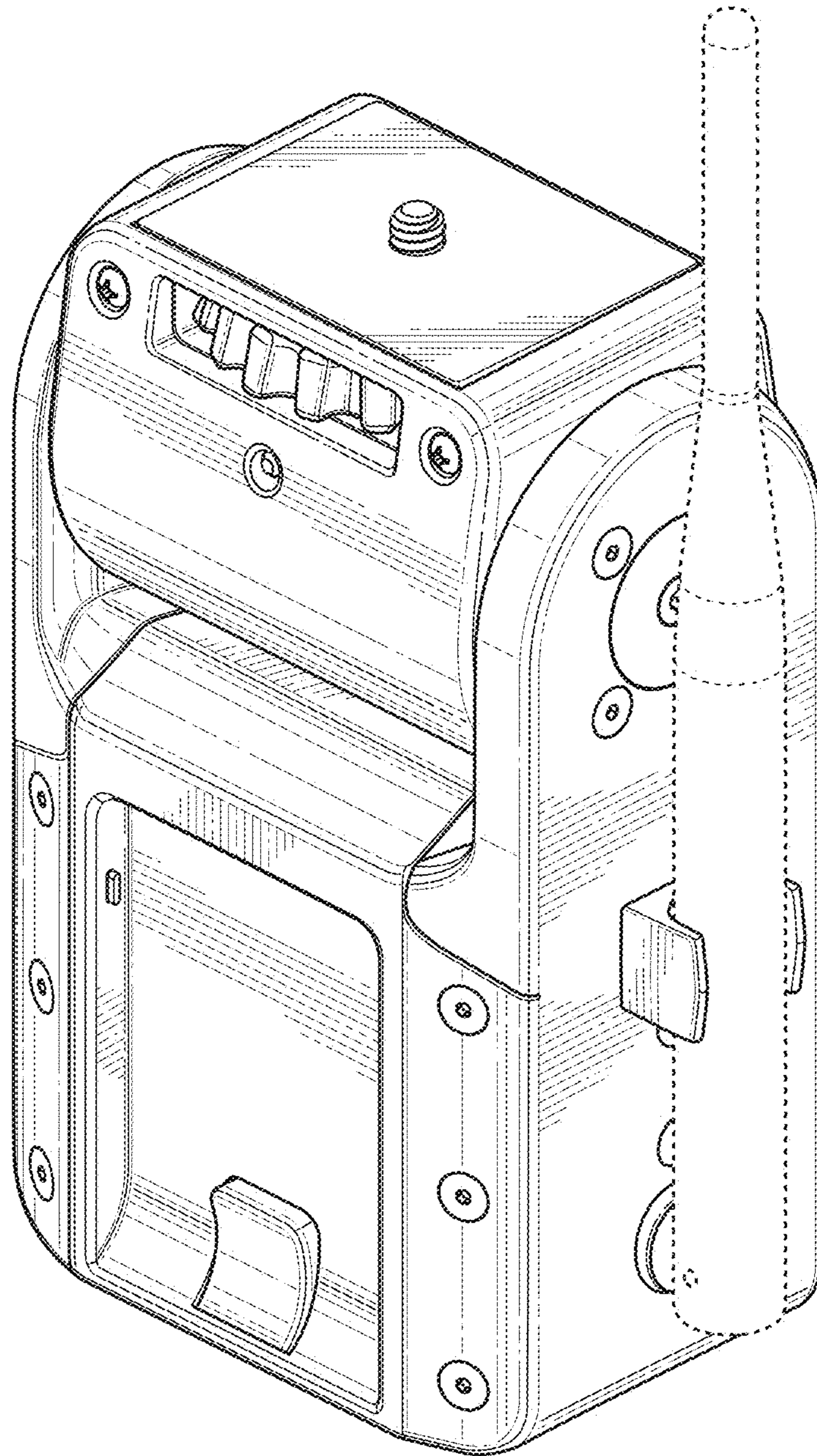


FIG. 1

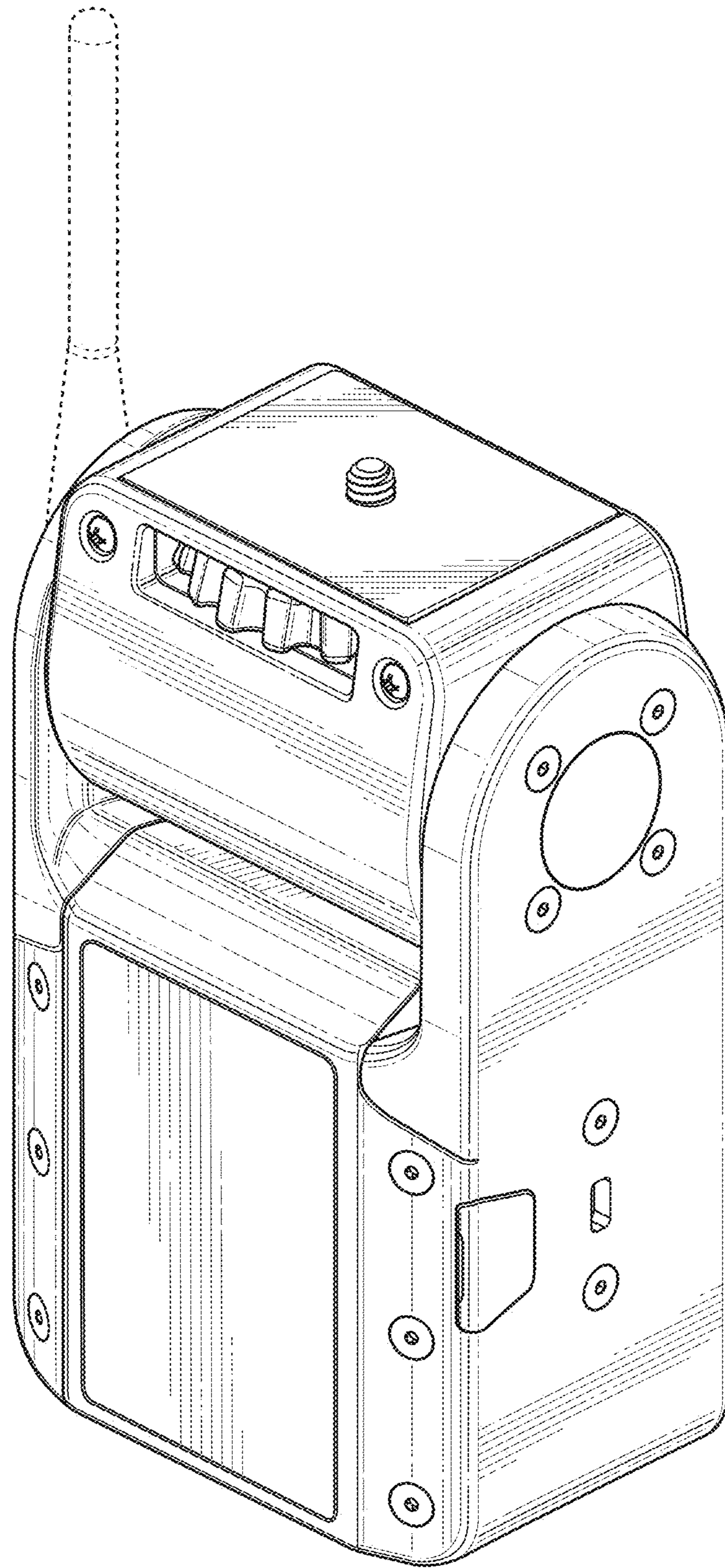


FIG. 2

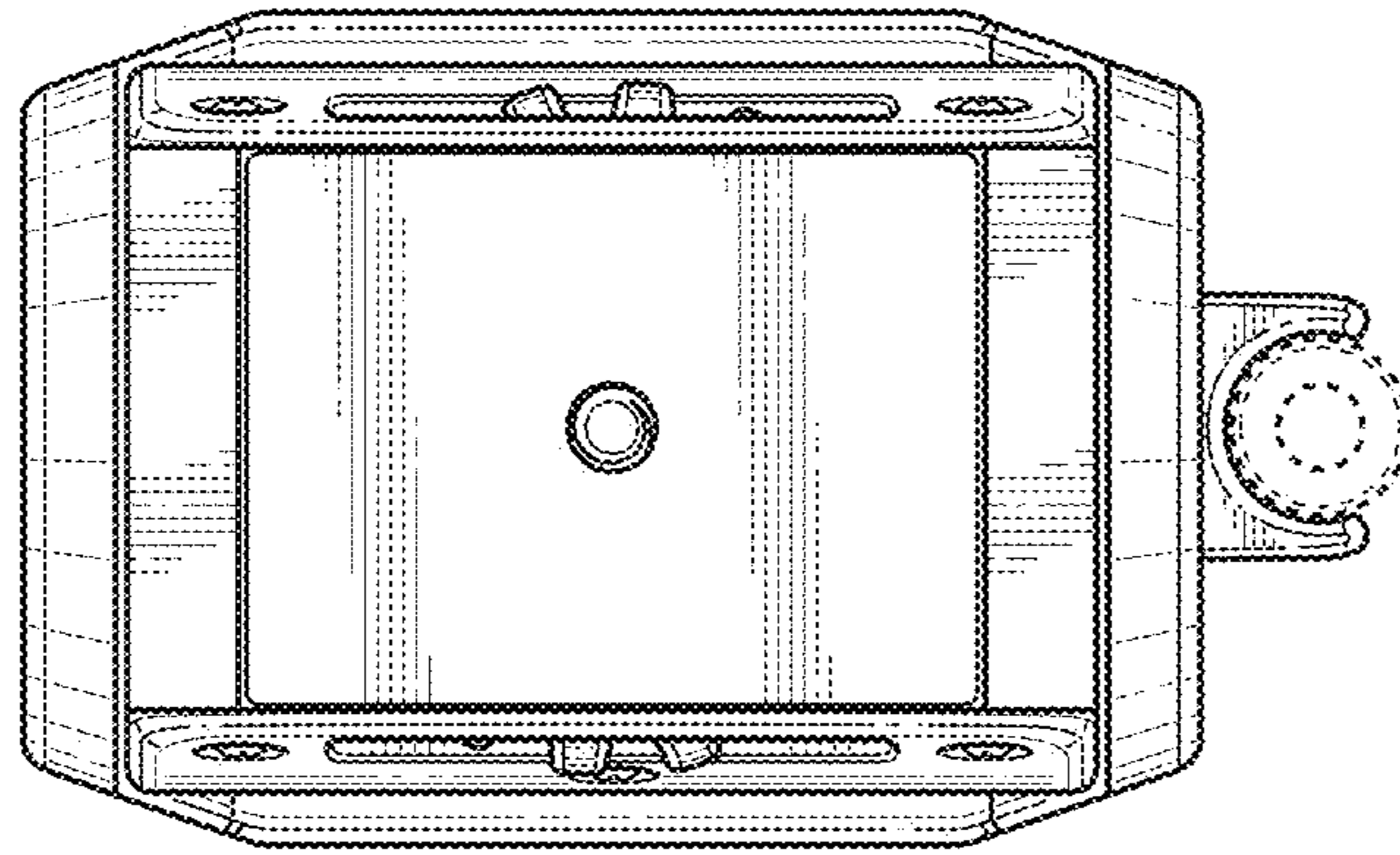


FIG. 3

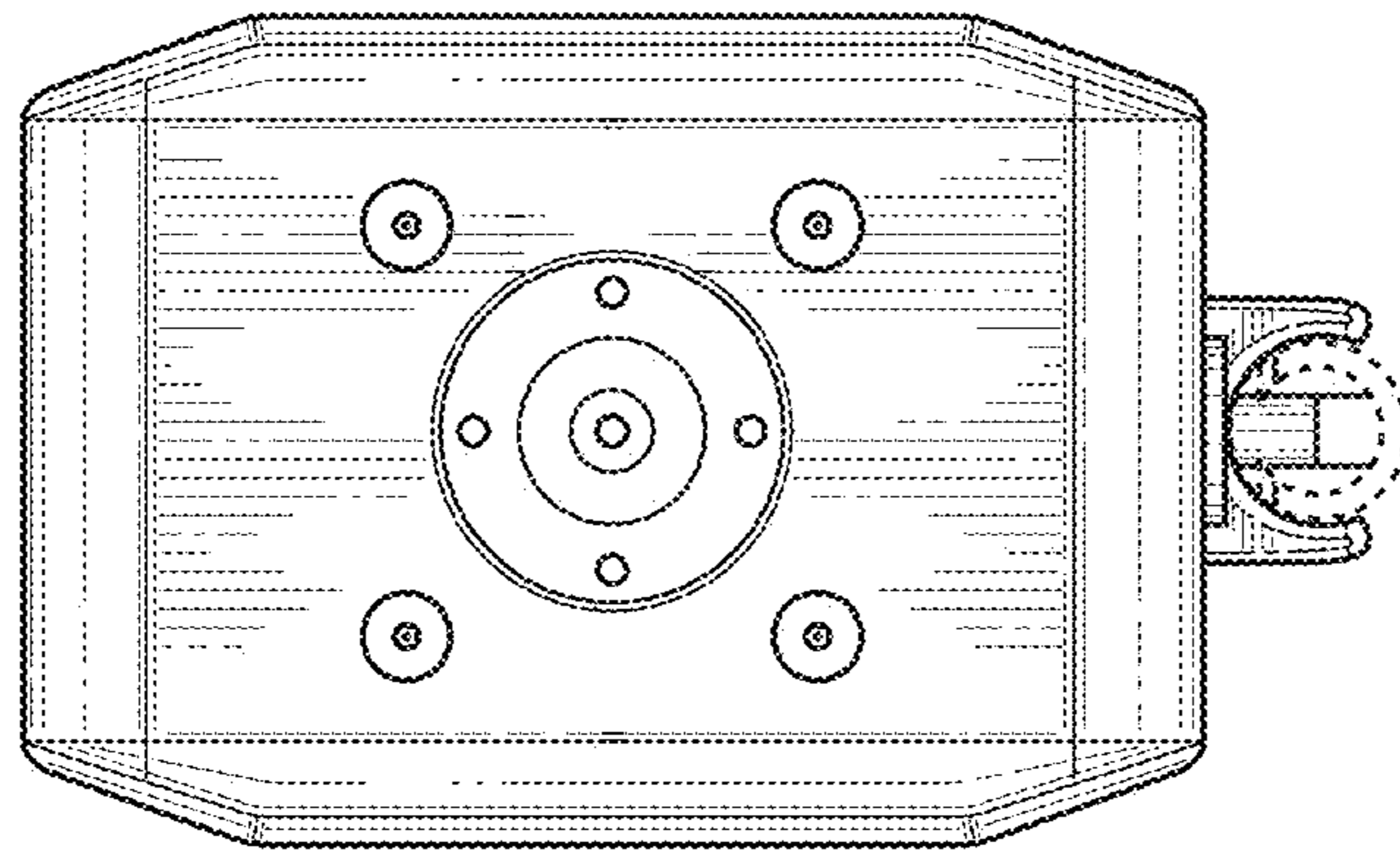


FIG. 4

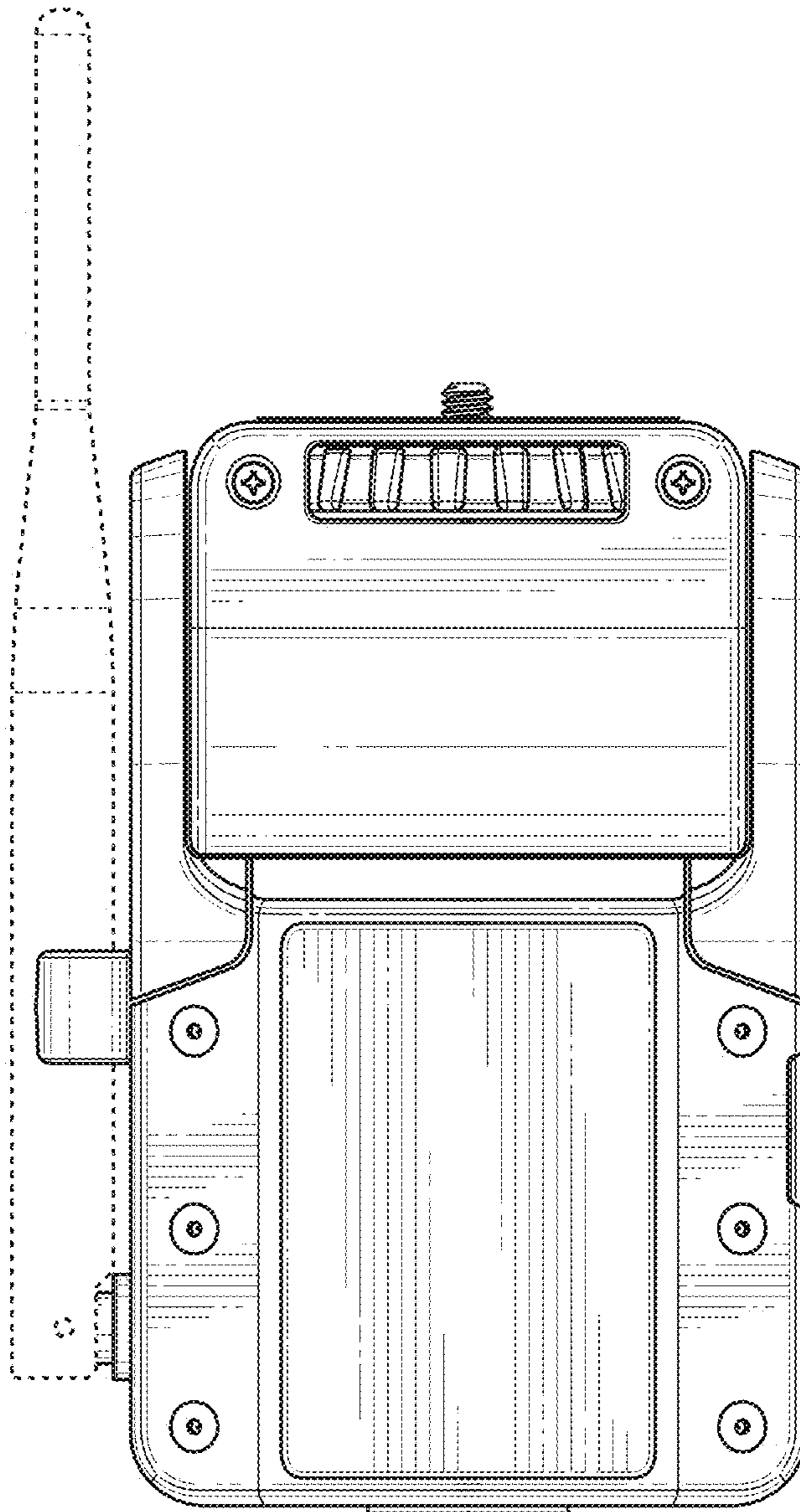


FIG. 5

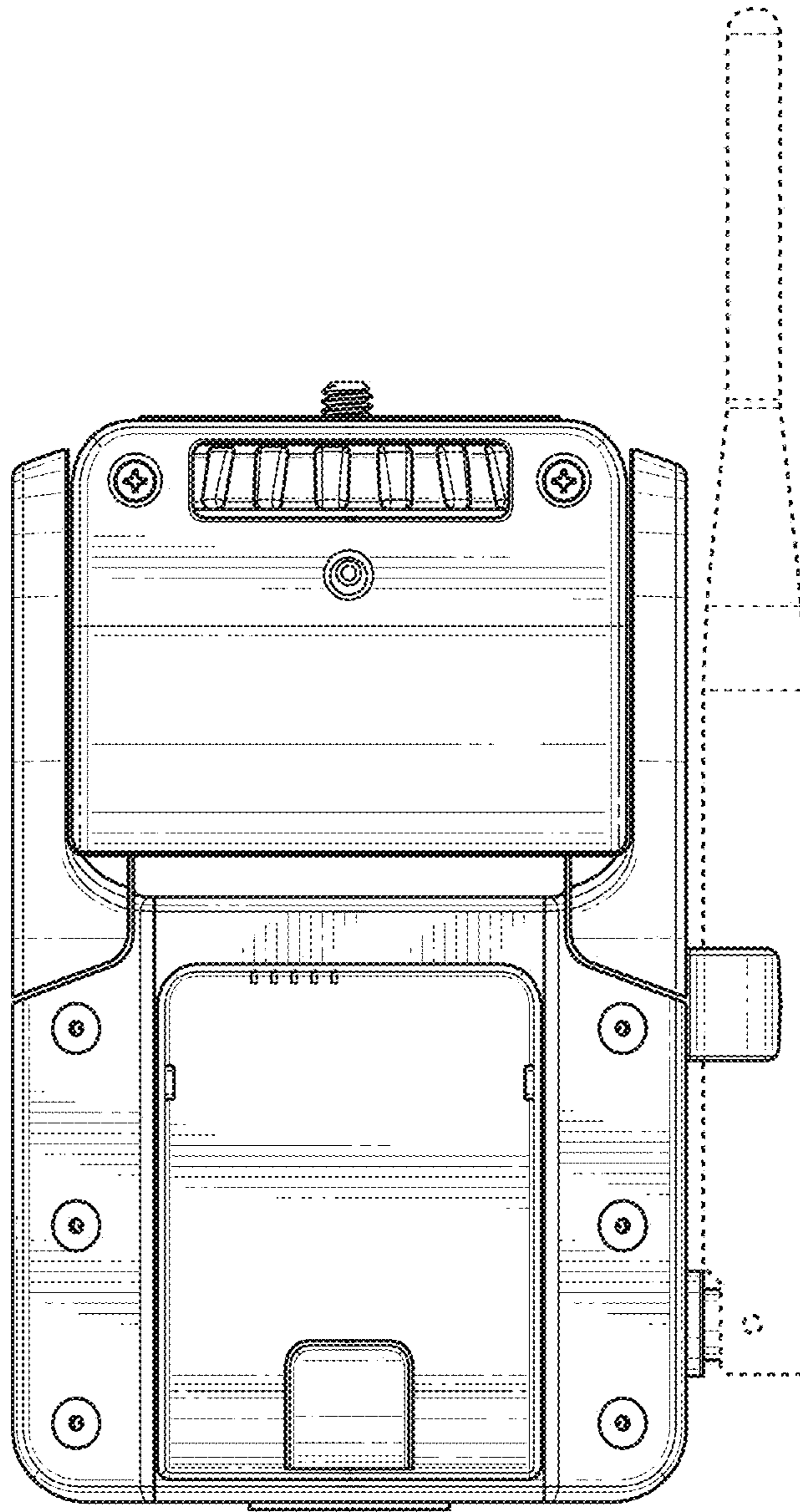


FIG. 6

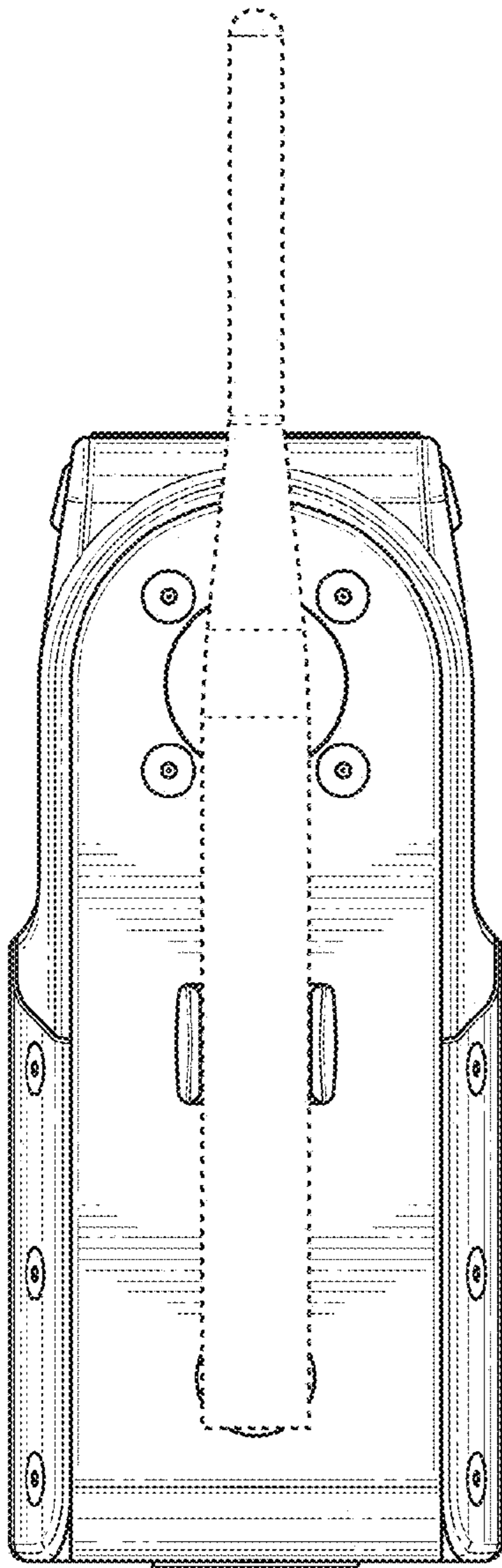


FIG. 7

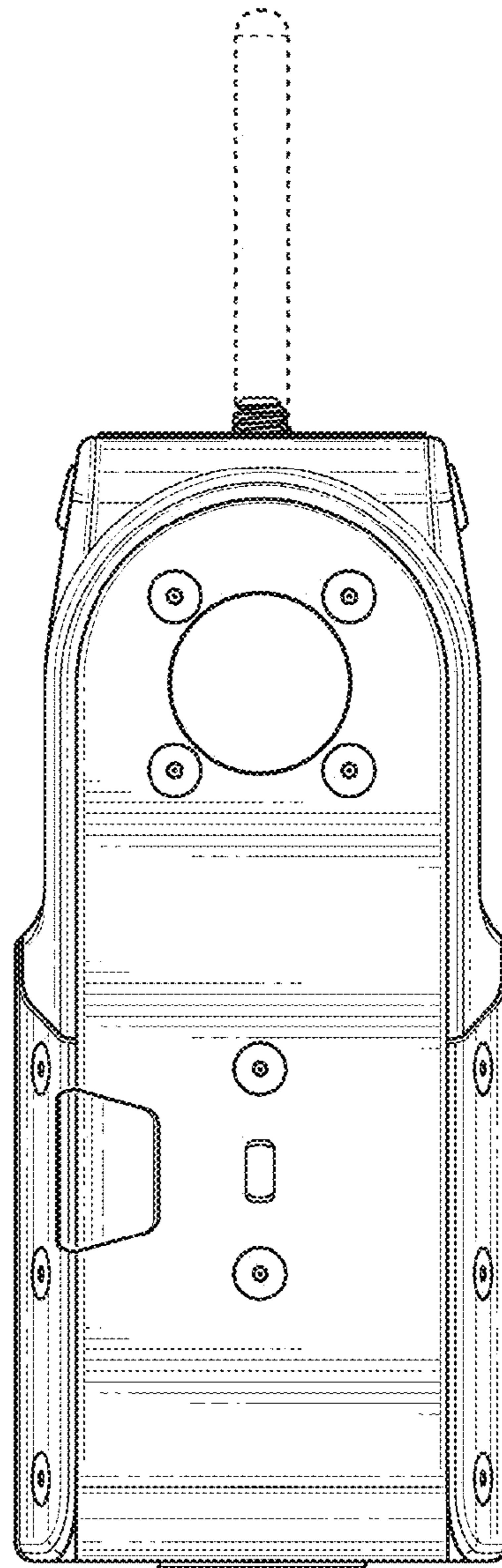


FIG. 8

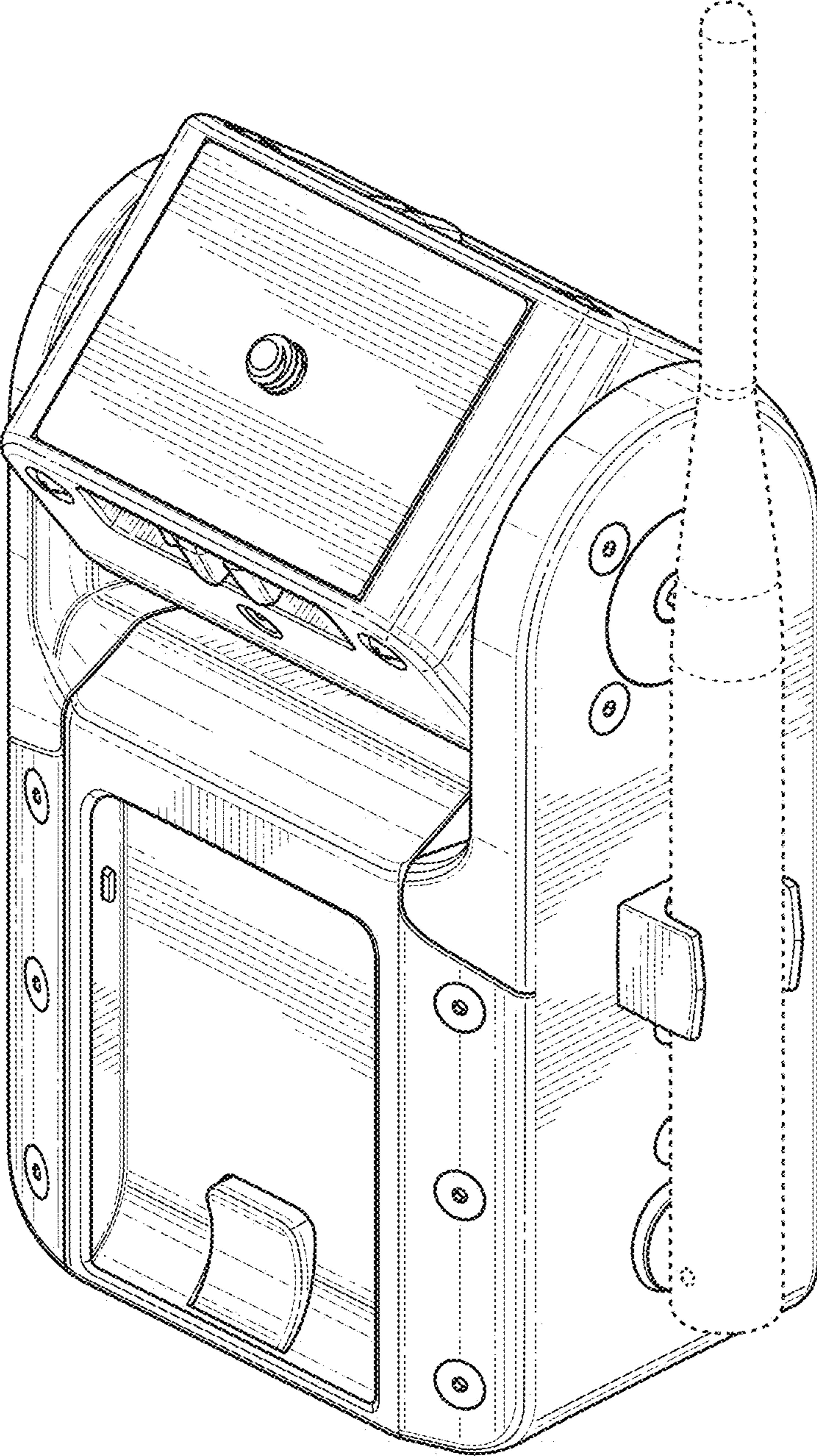


FIG. 9

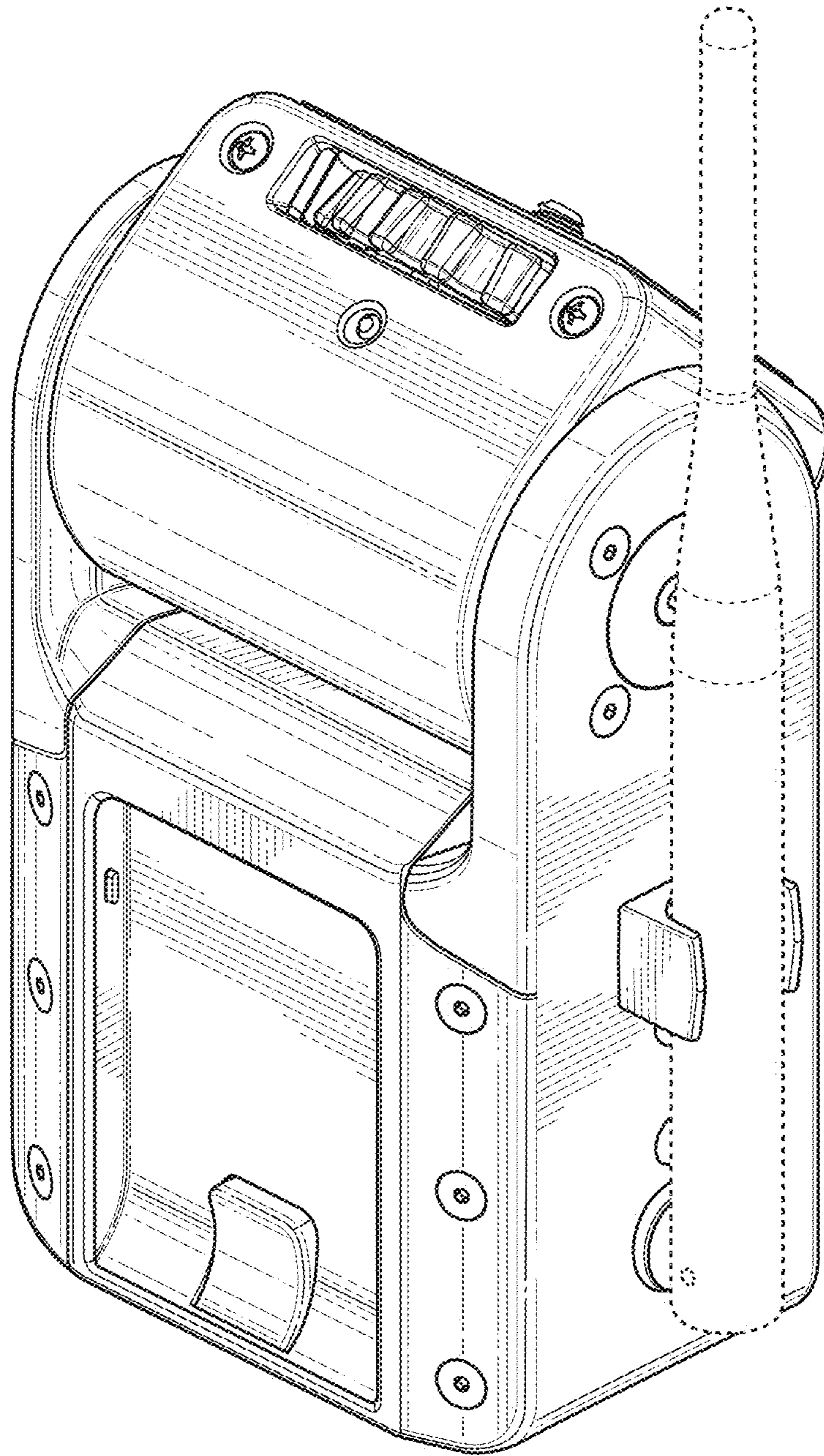


FIG. 10

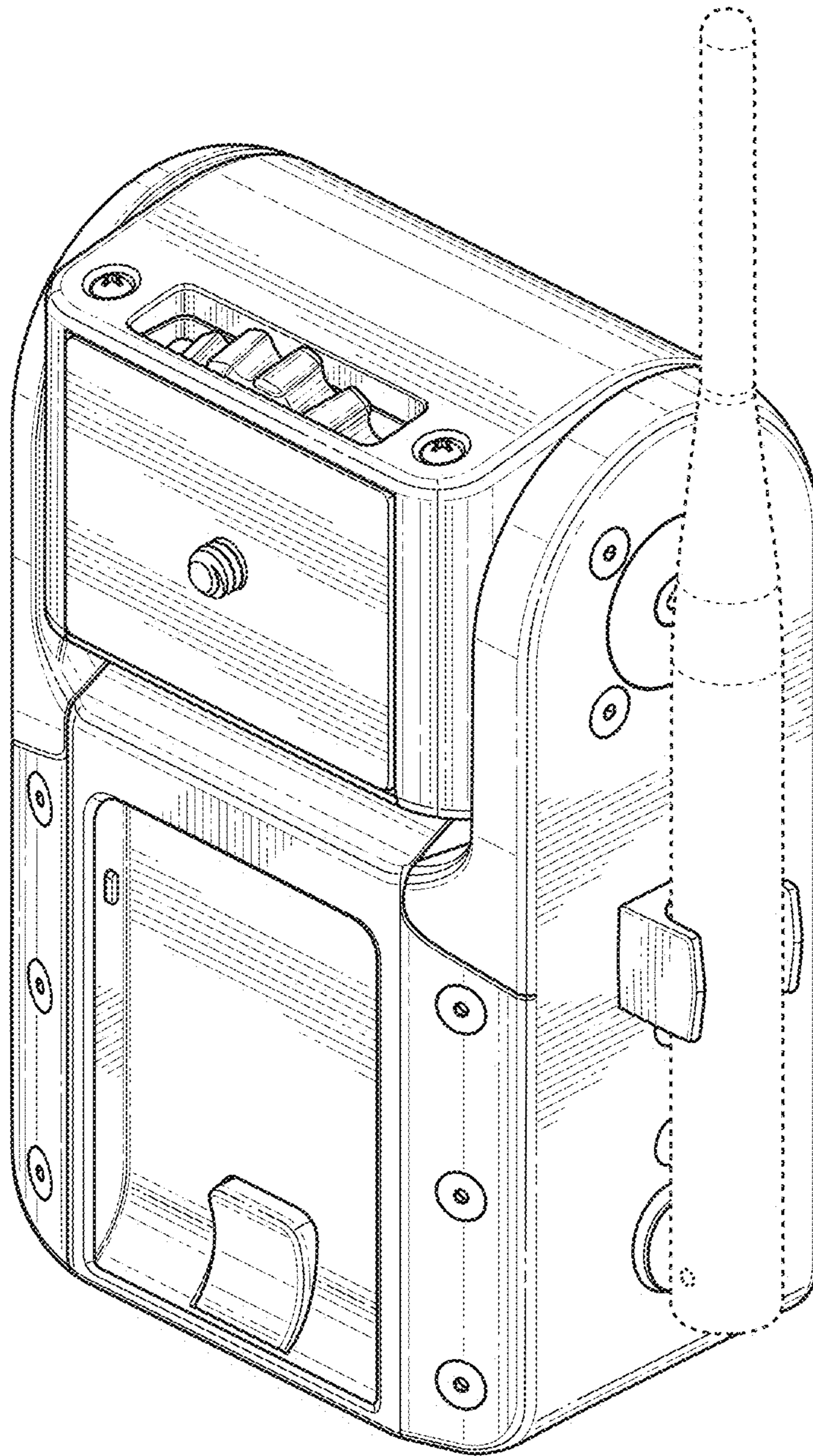


FIG. 11

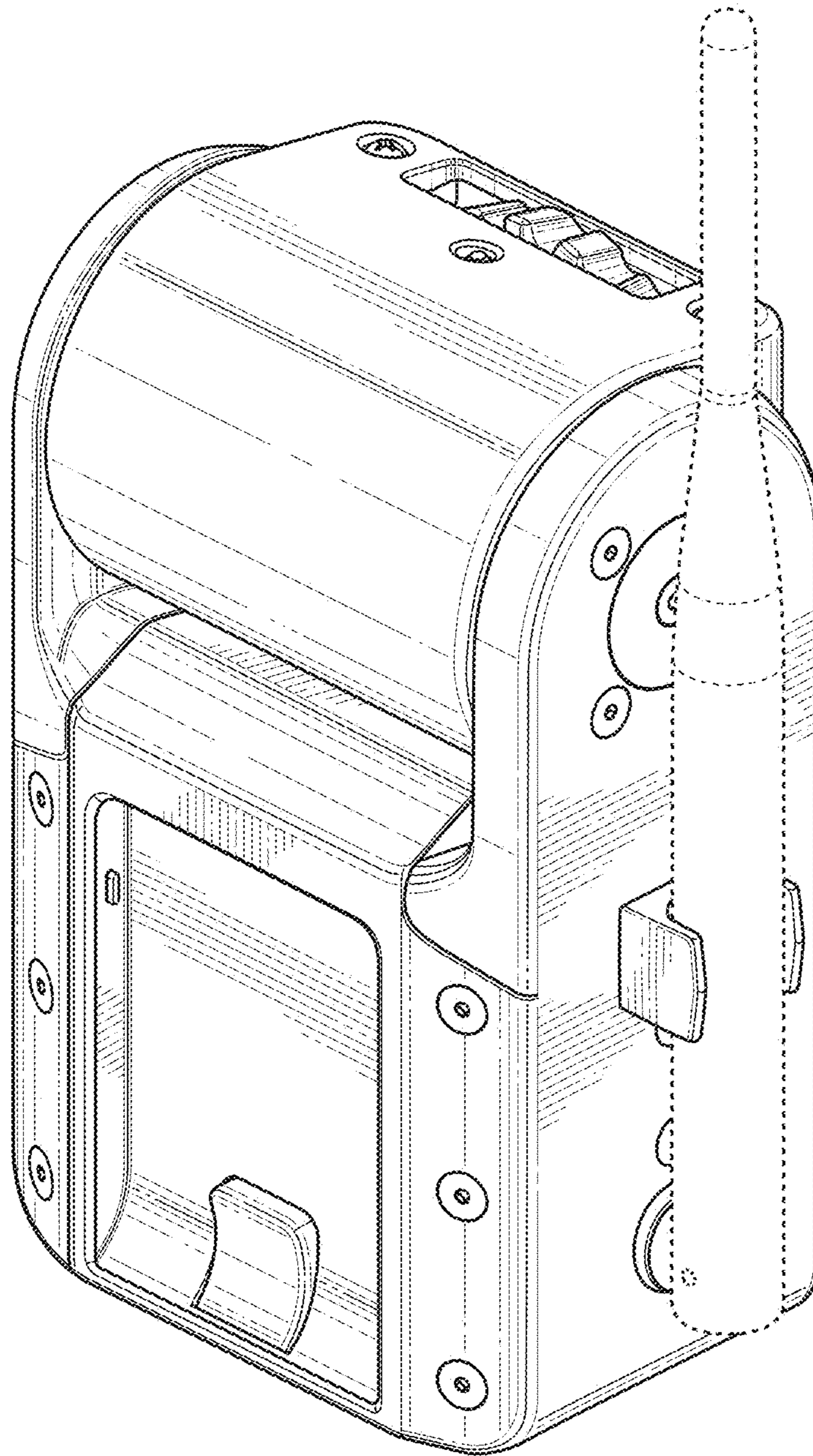


FIG. 12