



US00D726806S

(12) **United States Design Patent**
Demars

(10) **Patent No.:** **US D726,806 S**
(45) **Date of Patent:** **** Apr. 14, 2015**

(54) **REMOVABLE COMPUTER CAMERA SHIELD WITH FIXED FLAG**

(71) Applicant: **Heidi E. Demars**, Wellington, FL (US)

(72) Inventor: **Heidi E. Demars**, Wellington, FL (US)

(**) Term: **14 Years**

(21) Appl. No.: **29/491,844**

(22) Filed: **May 27, 2014**

(51) **LOC (10) Cl.** **16-05**

(52) **U.S. Cl.**
USPC **D16/237**; D14/448

(58) **Field of Classification Search**
CPC .. G03B 17/561–17/568; G03B 21/20–21/2066
USPC D16/205, 211, 214, 218–220, 237–250,
D16/302, 303; D19/9–10; D14/448–450;
D8/354, 394–396; D9/443
See application file for complete search history.

(56) **References Cited**

U.S. PATENT DOCUMENTS

D293,659 S * 1/1988 Griffin D11/182
D391,152 S * 2/1998 Lane et al. D8/395
D411,220 S * 6/1999 Surabian D16/242

D445,819 S * 7/2001 Backs et al. D16/243
D608,357 S * 1/2010 Peyridieu D14/253
D626,165 S * 10/2010 Raken et al. D16/242
D643,457 S * 8/2011 DeLong D16/237
D652,830 S * 1/2012 Nazar D14/253
D689,045 S * 9/2013 Mardas D14/253
D701,857 S * 4/2014 Ding D14/253

* cited by examiner

Primary Examiner — Susan Bennett Hattan

Assistant Examiner — Vy Koenig

(74) *Attorney, Agent, or Firm* — Bursum Patent Law P.L.

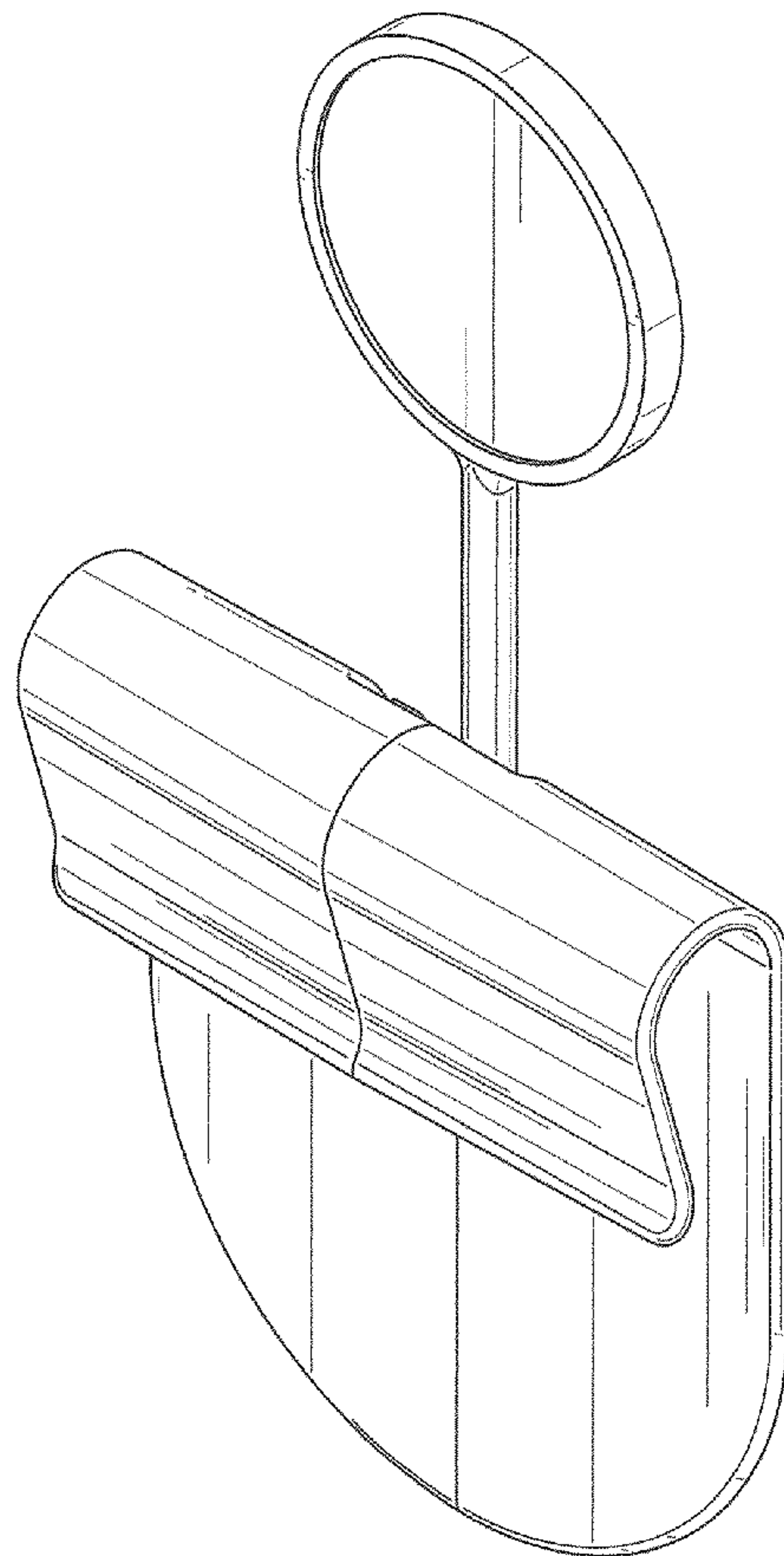
(57) **CLAIM**

The ornamental design for a removable computer camera shield with fixed flag, as shown and described.

DESCRIPTION

FIG. 1 is a front isometric view of the removable computer camera shield with fixed flag;
FIG. 2 is a back elevational view thereof;
FIG. 3 is a front elevational view thereof;
FIG. 4 is a left side elevational view thereof;
FIG. 5 is a right side elevational view thereof;
FIG. 6 is a top plan view thereof; and,
FIG. 7 is a bottom plan view thereof.

1 Claim, 5 Drawing Sheets



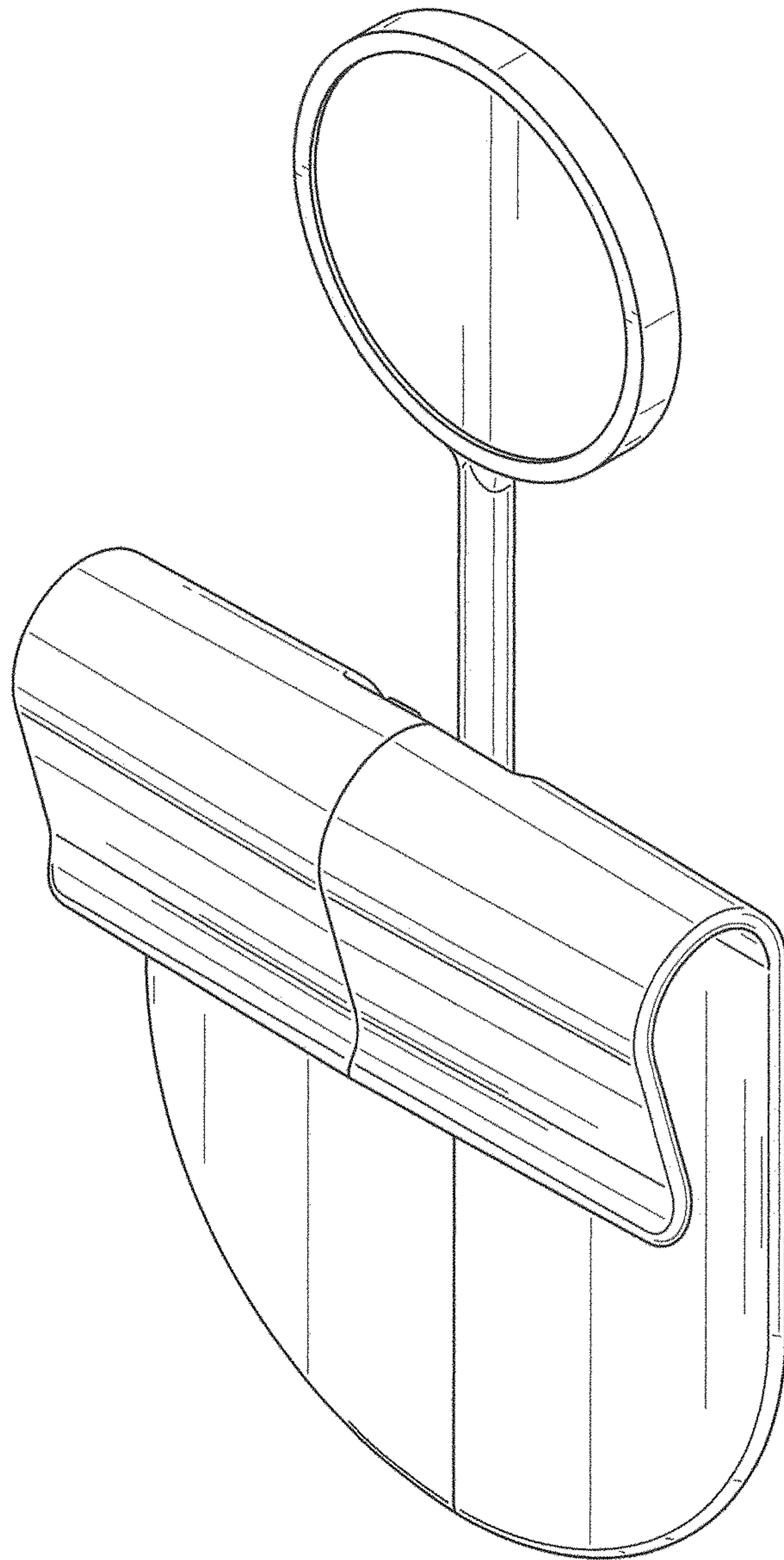


FIG. 1

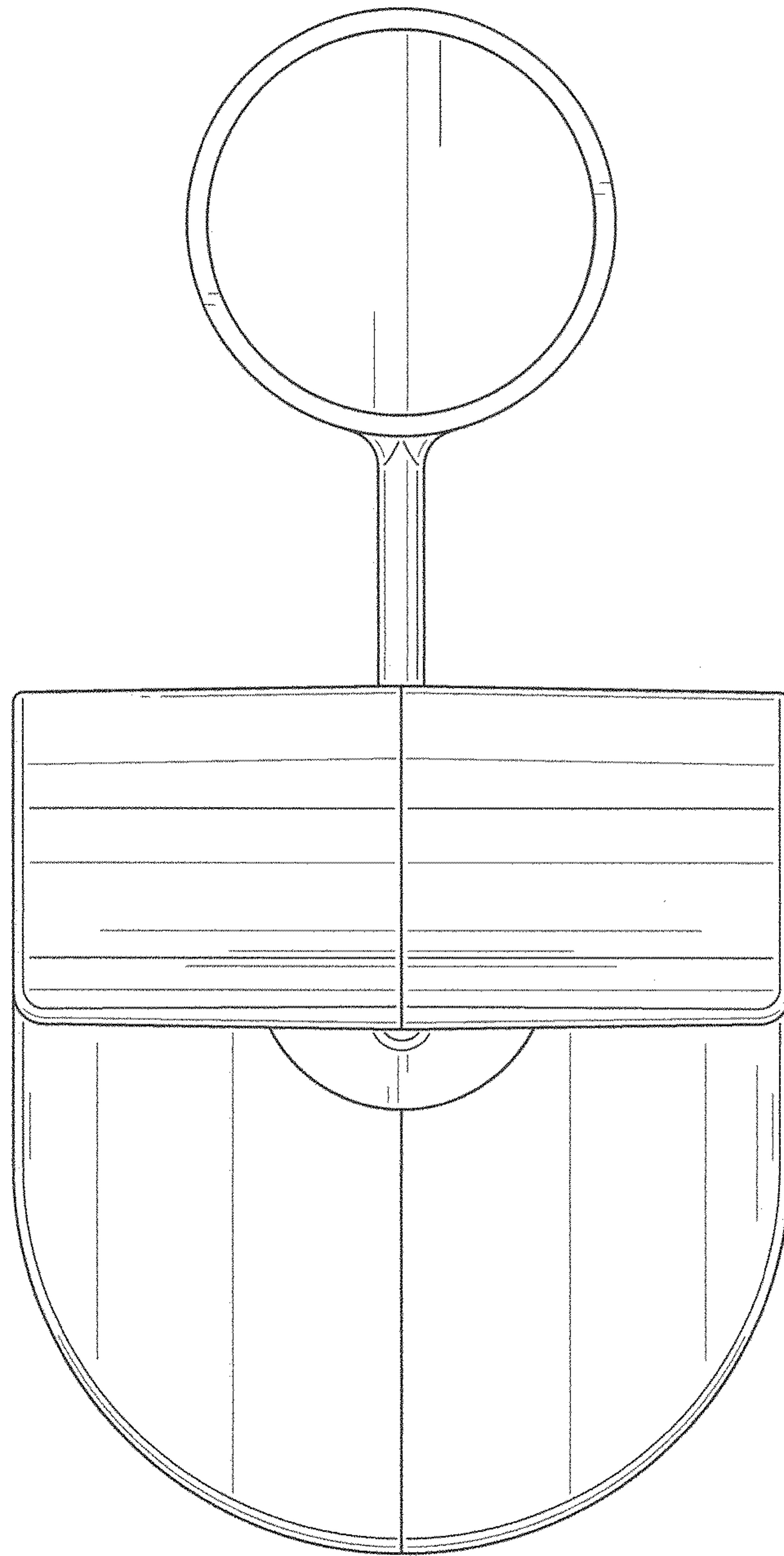


FIG. 2

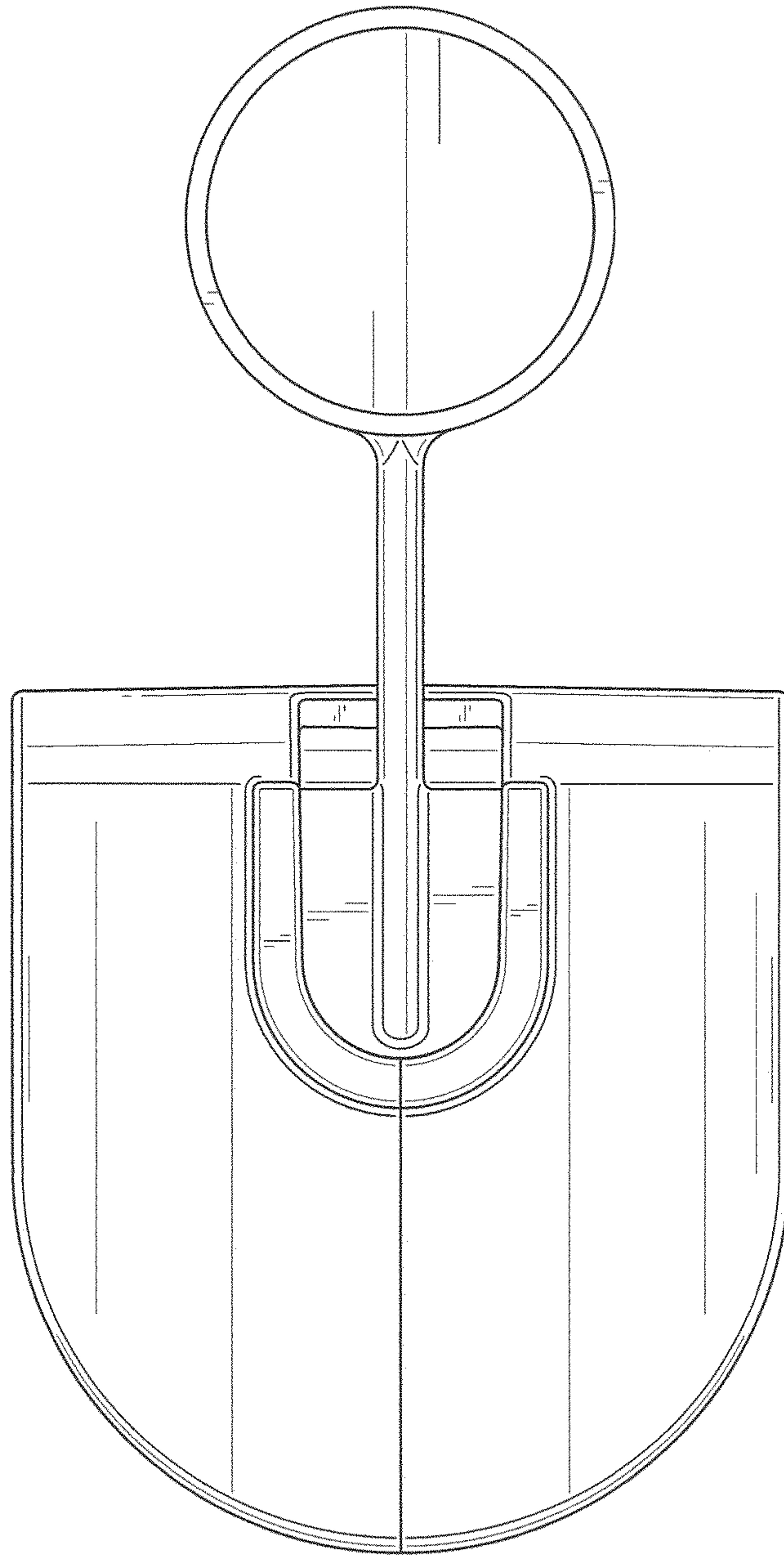


FIG. 3

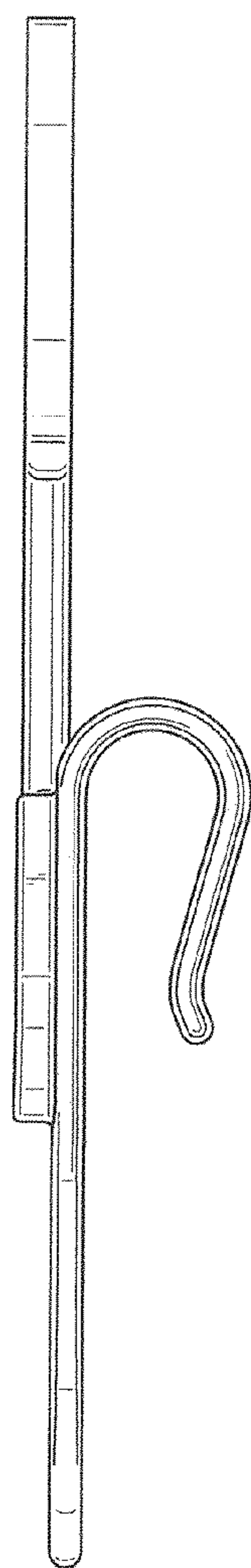


FIG. 4

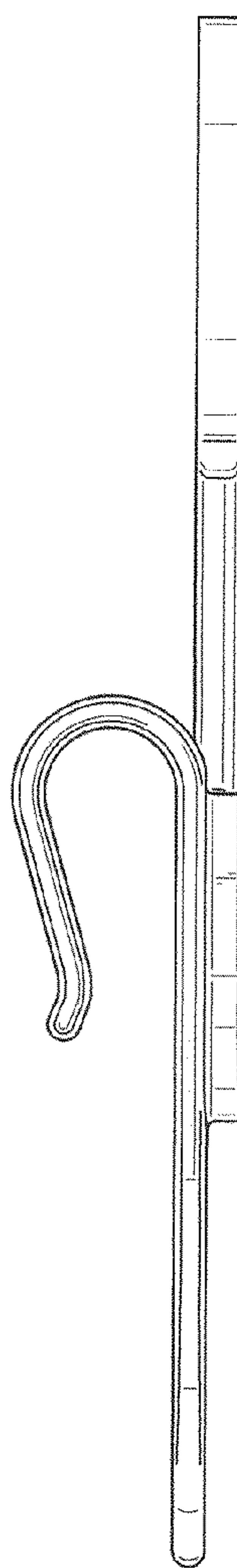


FIG. 5

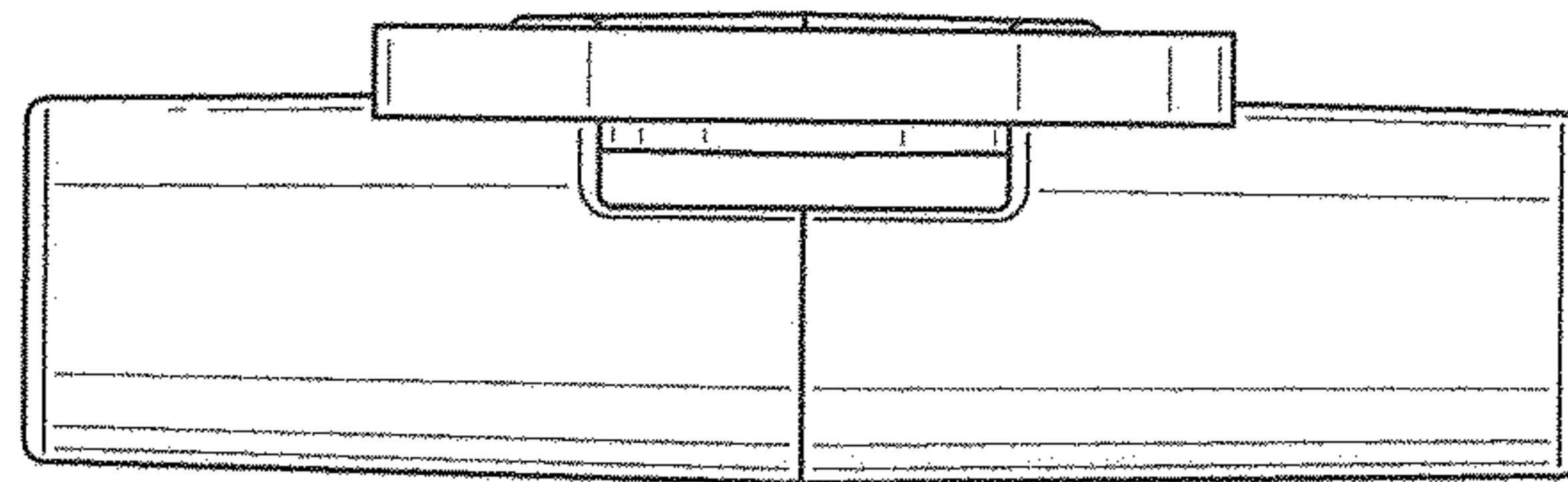


FIG. 6

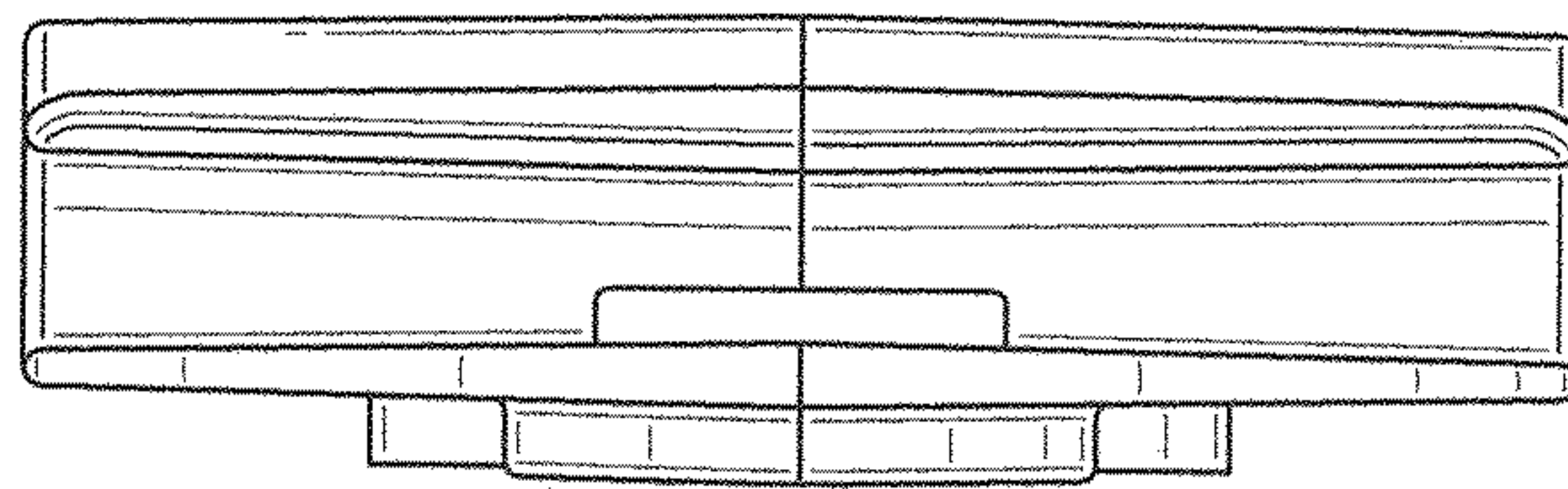


FIG. 7