



US00D726805S

(12) **United States Design Patent**
Jannard et al.

(10) **Patent No.:** **US D726,805 S**
(45) **Date of Patent:** **** Apr. 14, 2015**

(54) **CAMERA COMPONENT**

(71) Applicant: **RED.COM, Inc.**, Irvine, CA (US)
(72) Inventors: **James H. Jannard**, Las Vegas, NV (US); **Peter Jarred Land**, Los Angeles, CA (US); **Matthew Tremblay**, Laguna Beach, CA (US)
(73) Assignee: **RED.COM, Inc.**, Irvine, CA (US)

(**) Term: **14 Years**

(21) Appl. No.: **29/487,132**

(22) Filed: **Apr. 4, 2014**

(51) **LOC (10) Cl.** **16-05**

(52) **U.S. Cl.**
USPC **D16/237**

(58) **Field of Classification Search**
CPC G03B 15/03; G03B 17/02; G03B 17/04; G03B 17/56; G03B 19/04; H04N 5/2251; H04N 5/2252; H04N 5/2253; H04N 5/2254
USPC D16/200, 202–208, 218, 219, 235, 237, D16/246, 250; D14/125, 203.1, 203.5, 217; 348/143, 151, 373–376; 358/906; 396/535–541

See application file for complete search history.

(56) **References Cited**

U.S. PATENT DOCUMENTS

D321,527 S	*	11/1991	Kurozumi et al.	D16/234
D366,492 S	*	1/1996	Kume et al.	D16/202
D460,474 S	*	7/2002	Gotham et al.	D16/219
D610,186 S		2/2010	Jannard et al.		
D647,122 S		10/2011	Jannard et al.		
D647,939 S		11/2011	Jannard et al.		
D647,943 S		11/2011	Jannard et al.		
D647,944 S		11/2011	Jannard et al.		
D647,945 S		11/2011	Jannard et al.		
D648,369 S		11/2011	Jannard et al.		
D649,576 S		11/2011	Jannard et al.		

D653,693 S		2/2012	Jannard et al.		
D654,110 S		2/2012	Jannard et al.		
D657,409 S	*	4/2012	Miyashita	D16/203
D658,700 S		5/2012	Jannard et al.		
D671,584 S	*	11/2012	Ohno	D16/202
D675,661 S		2/2013	Jannard et al.		
D684,210 S	*	6/2013	Boyle et al.	D16/242
8,477,238 B2		7/2013	Jannard		
8,525,924 B2		9/2013	Jannard		
8,525,925 B2		9/2013	Jannard		
D696,336 S		12/2013	Jannard et al.		
2013/0128104 A1	*	5/2013	Nunnink et al.	348/373
2014/0002725 A1		1/2014	Jannard		
2014/0098225 A1	*	4/2014	Rodriguez et al.	348/143
2014/0132816 A1		5/2014	Jannard		
2014/0168430 A1	*	6/2014	Unger	348/143

* cited by examiner

Primary Examiner — Adir Aronovich

Assistant Examiner — Ramzi Almatrahi

(74) *Attorney, Agent, or Firm* — Knobbe Martens Olson & Bear LLP

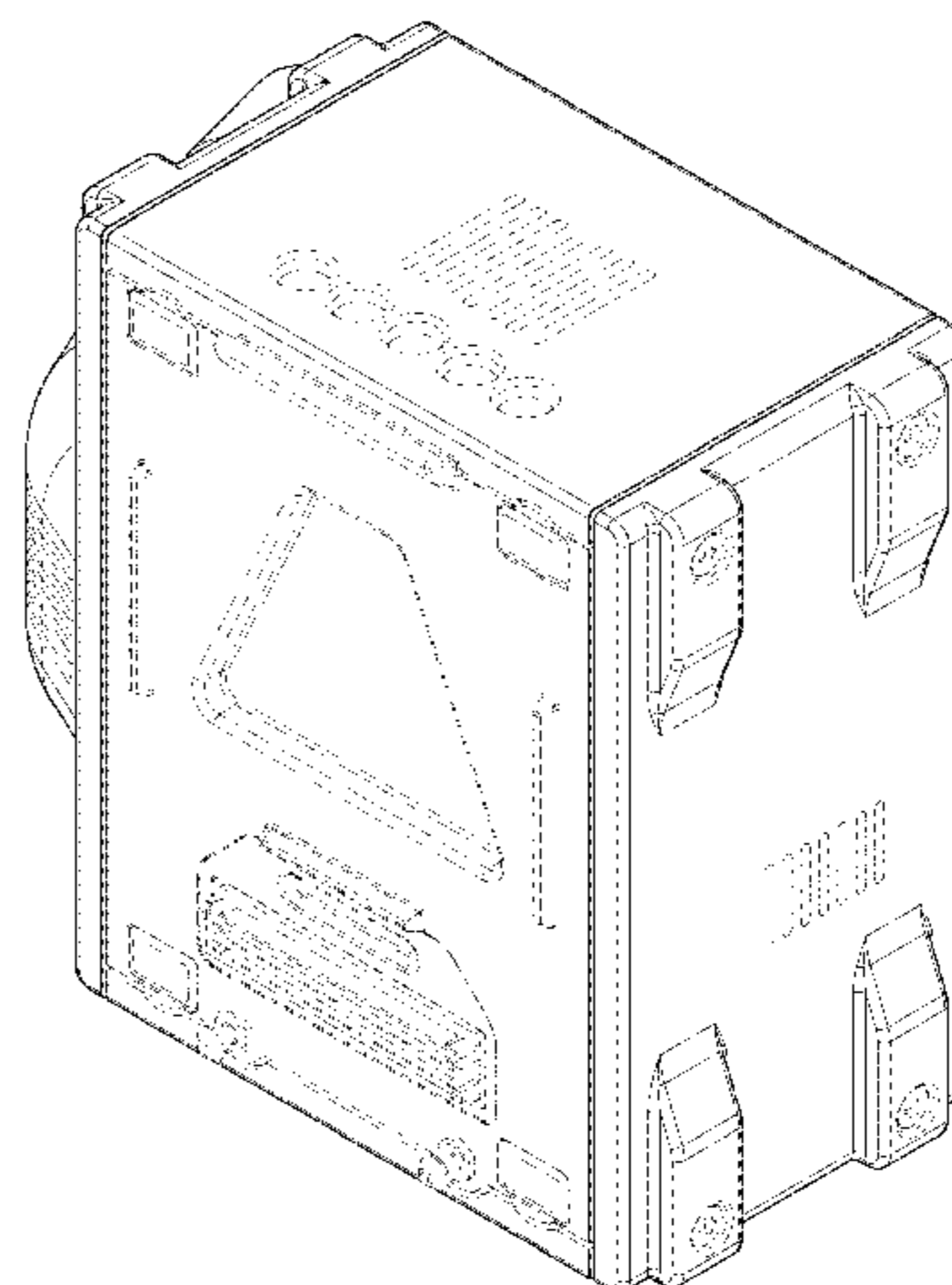
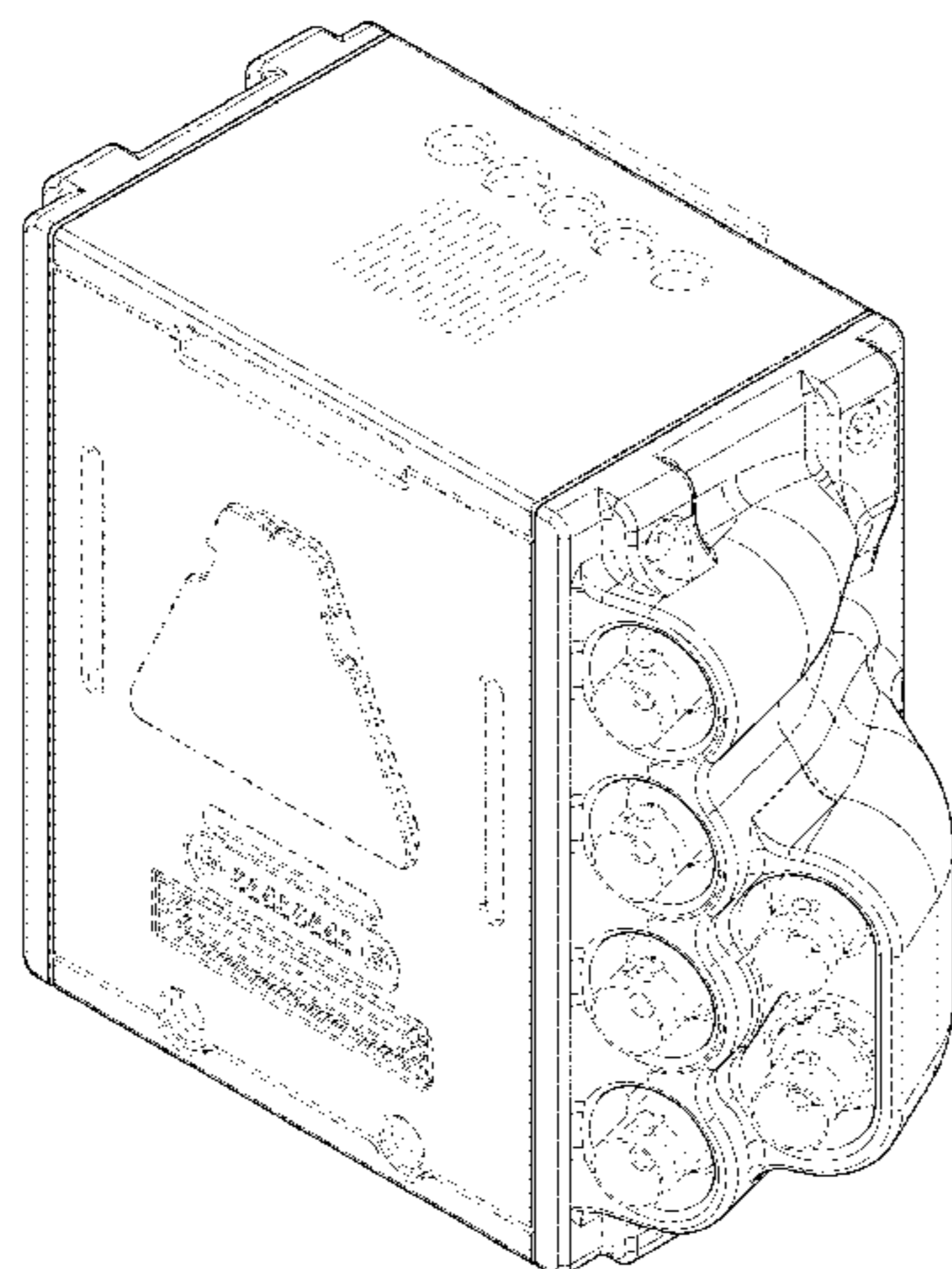
(57) **CLAIM**

The ornamental design for a camera component, as shown and described.

DESCRIPTION

FIG. 1 is a front perspective view of a camera component of the present invention;
FIG. 2 is a rear perspective view thereof;
FIG. 3 is front elevational view thereof;
FIG. 4 is a rear elevational view thereof;
FIG. 5 is a right-side elevational view thereof;
FIG. 6 is a left-side elevational view thereof;
FIG. 7 is a top plan view thereof; and,
FIG. 8 is a bottom plan view thereof.
Phantom lining, throughout the views depicting portions of a camera component in which the design is embodied is for illustrative purposes only and form no part of the claimed design.

1 Claim, 7 Drawing Sheets



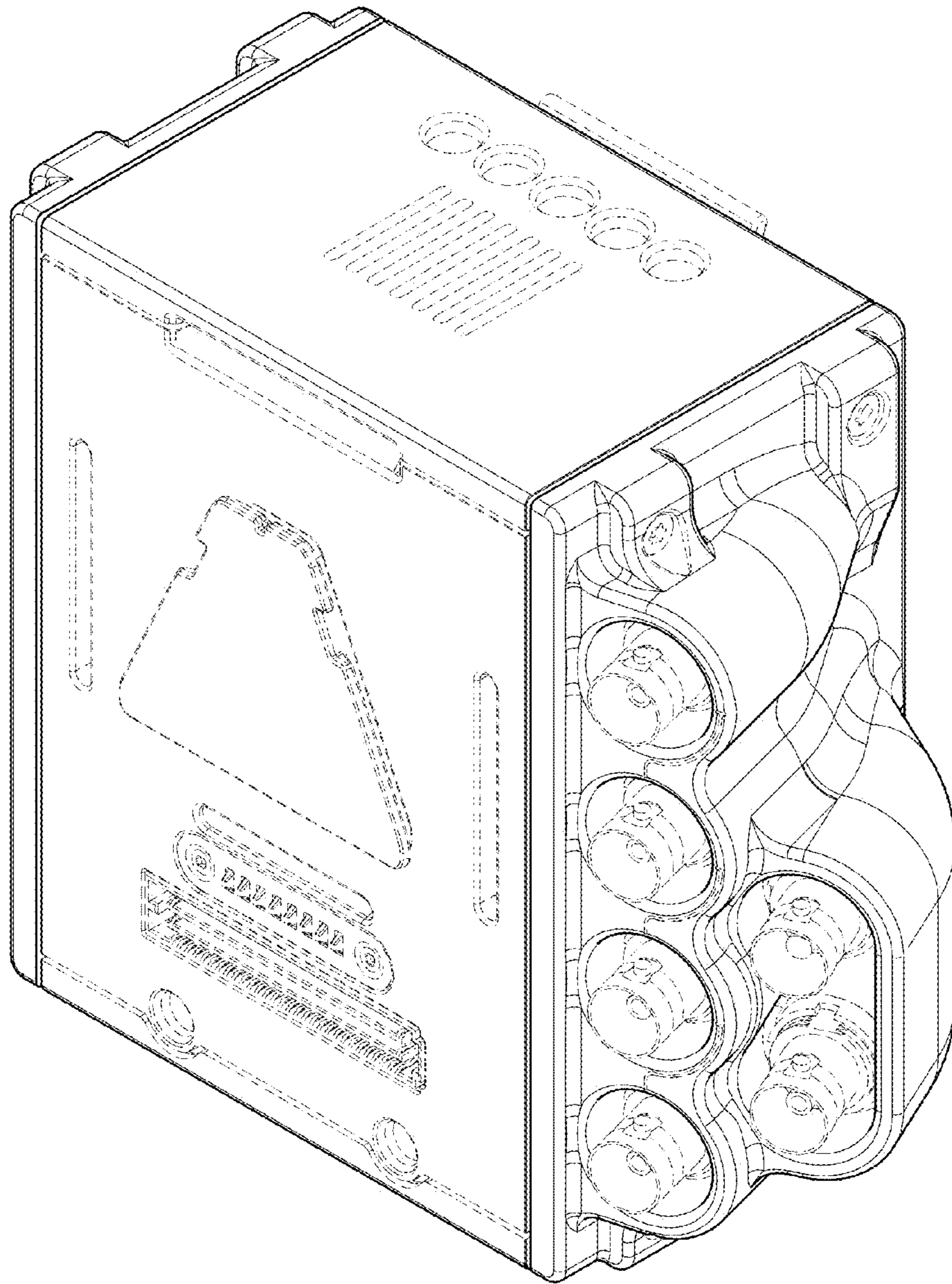


FIG. 1

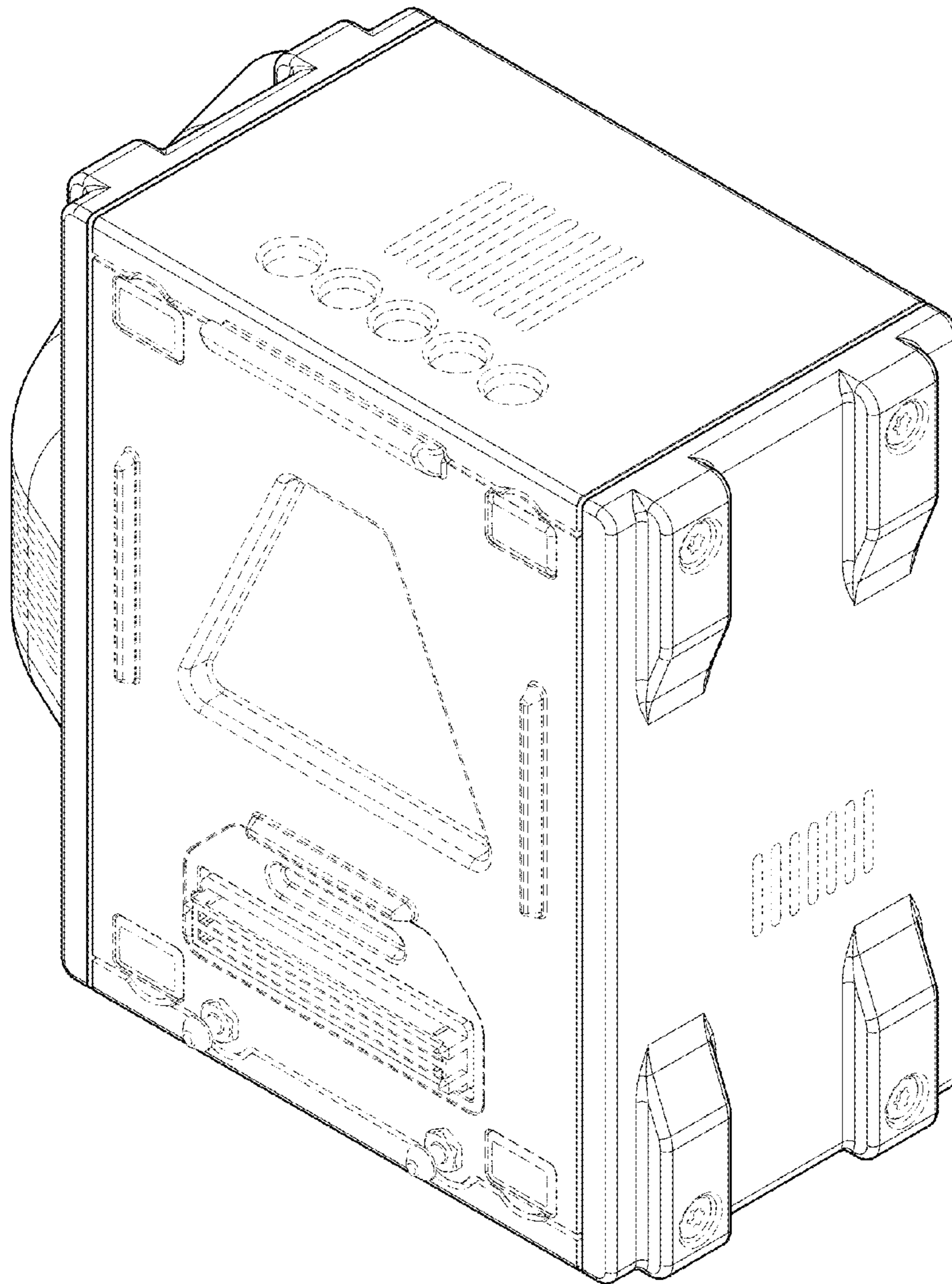


FIG. 2

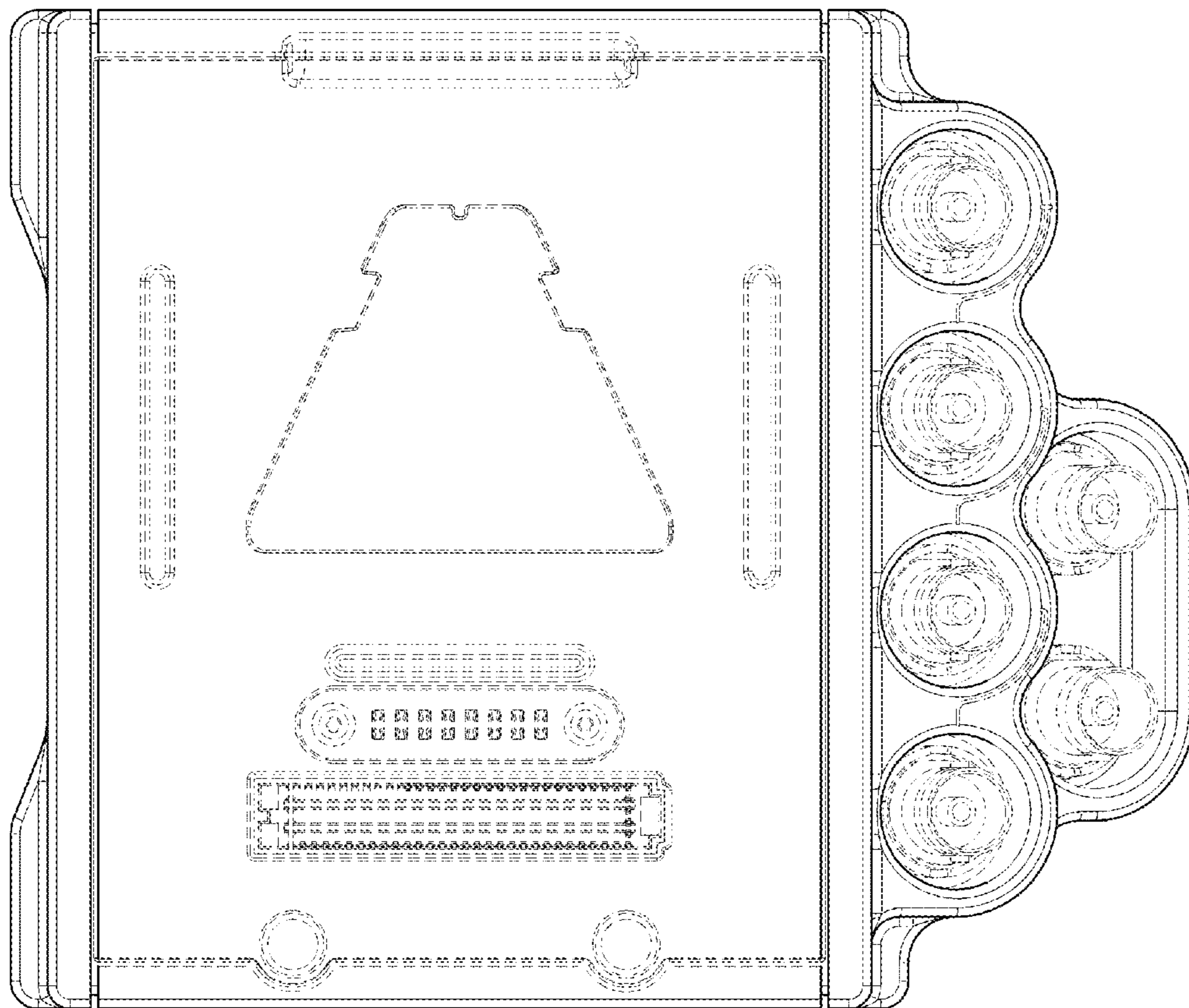


FIG. 3

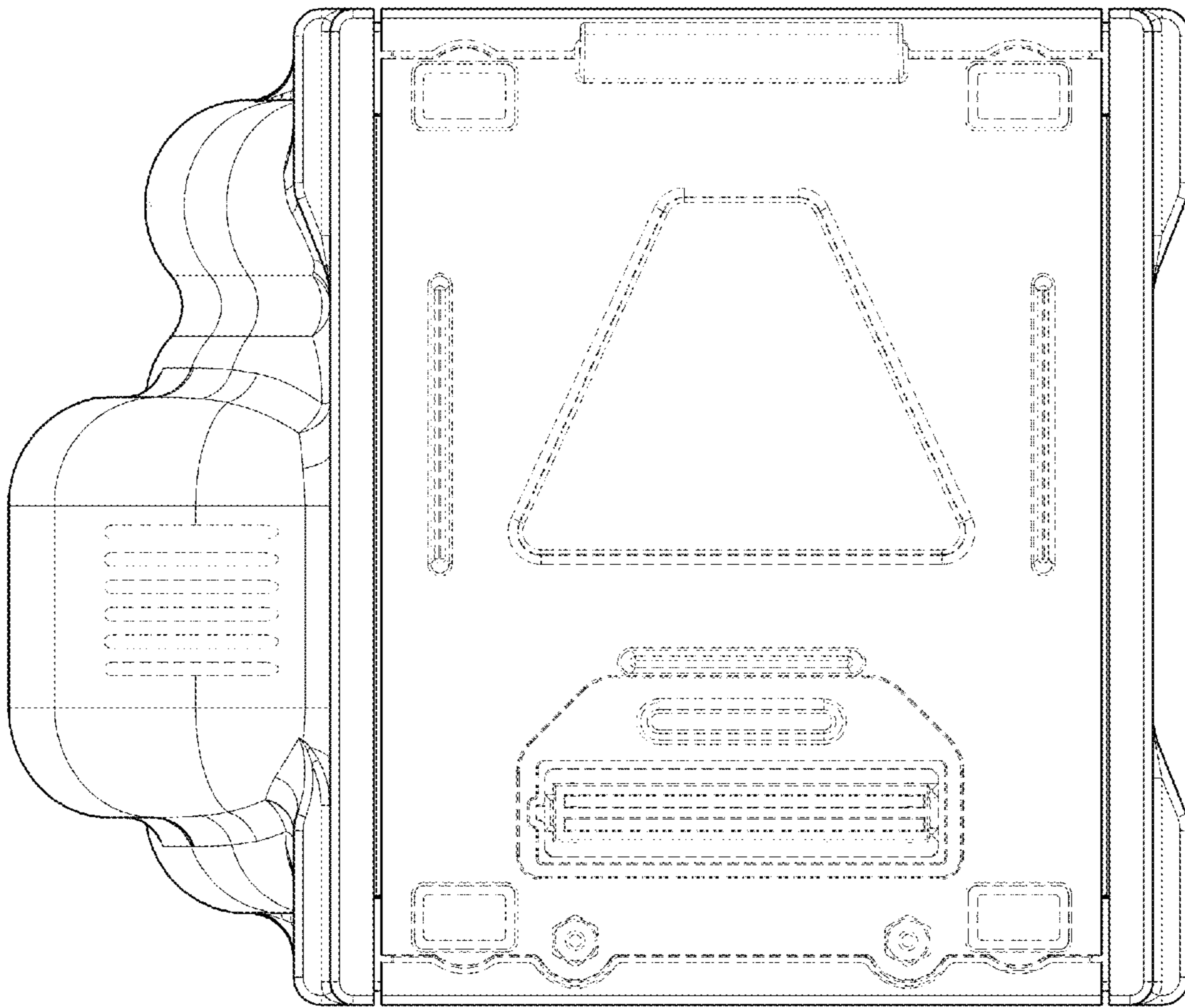


FIG. 4

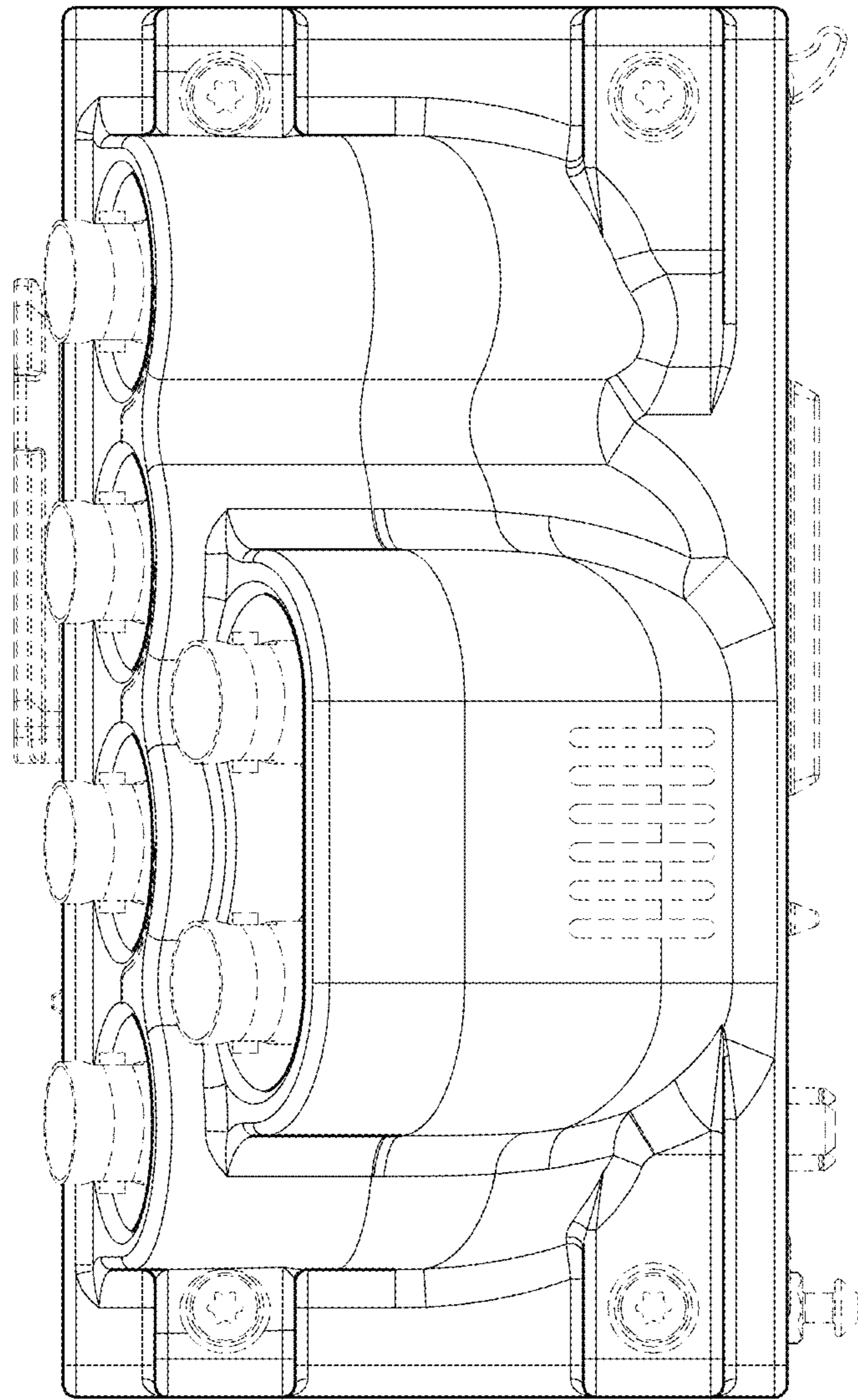


FIG. 5

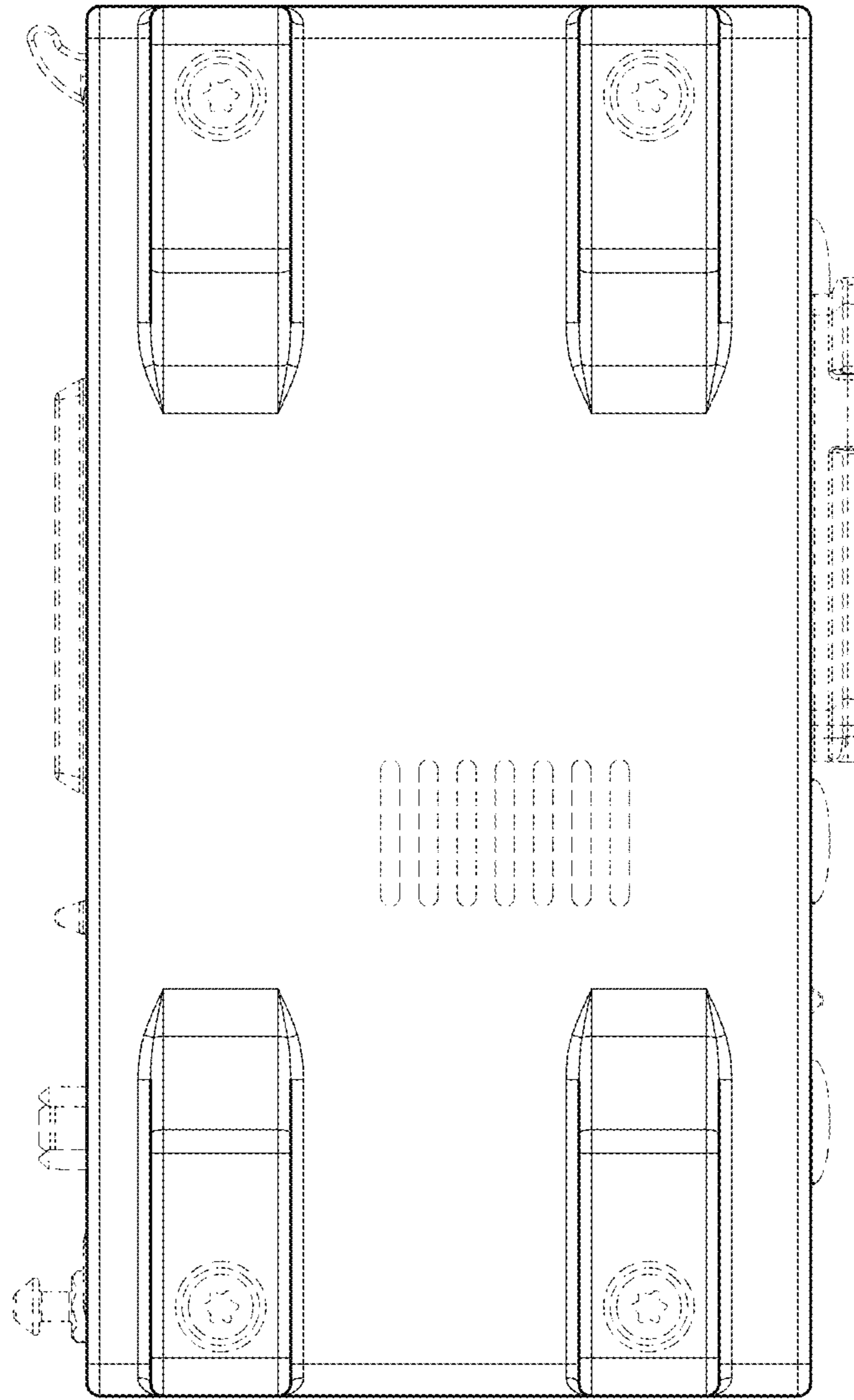


FIG. 6

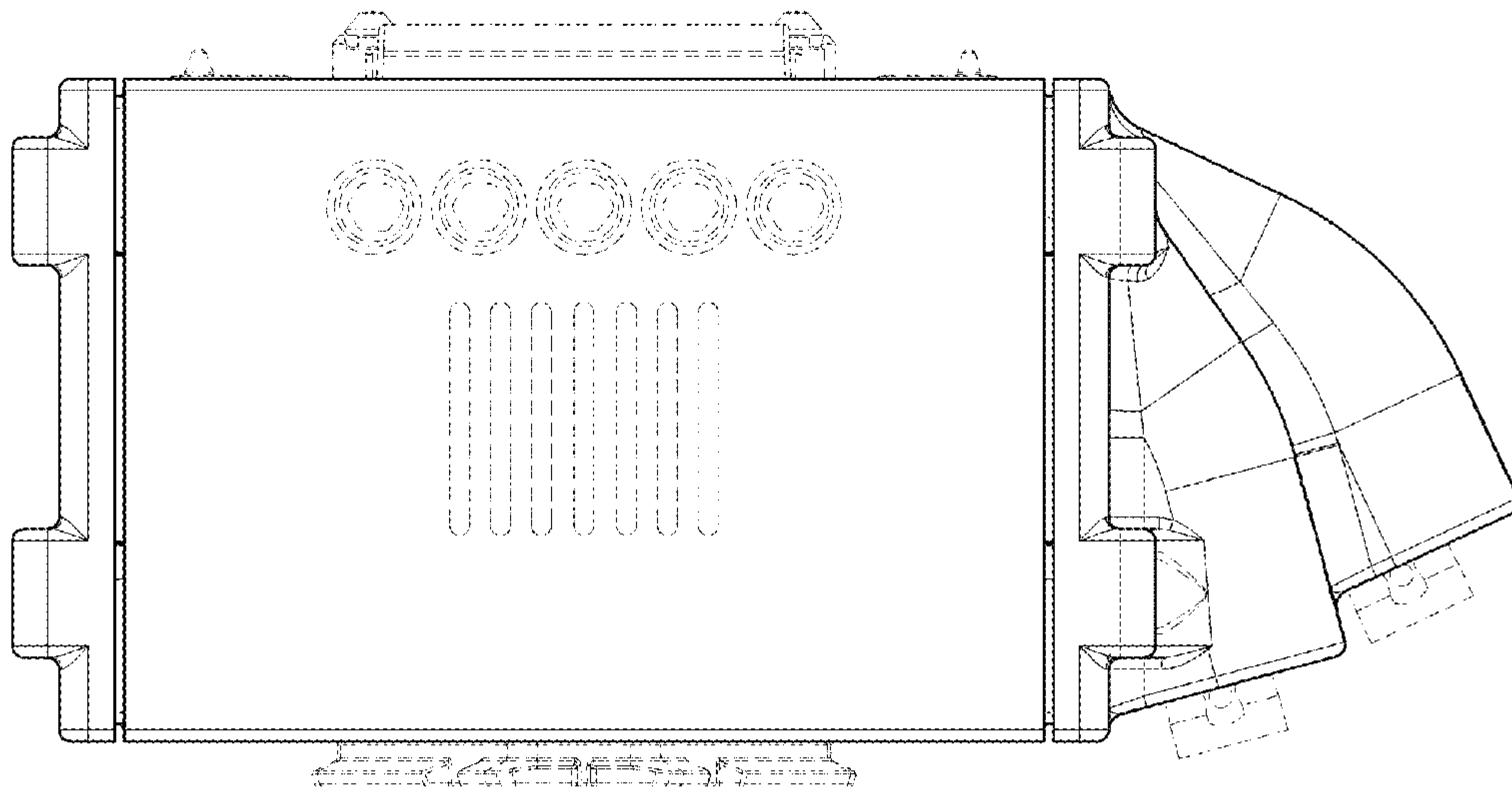


FIG. 7

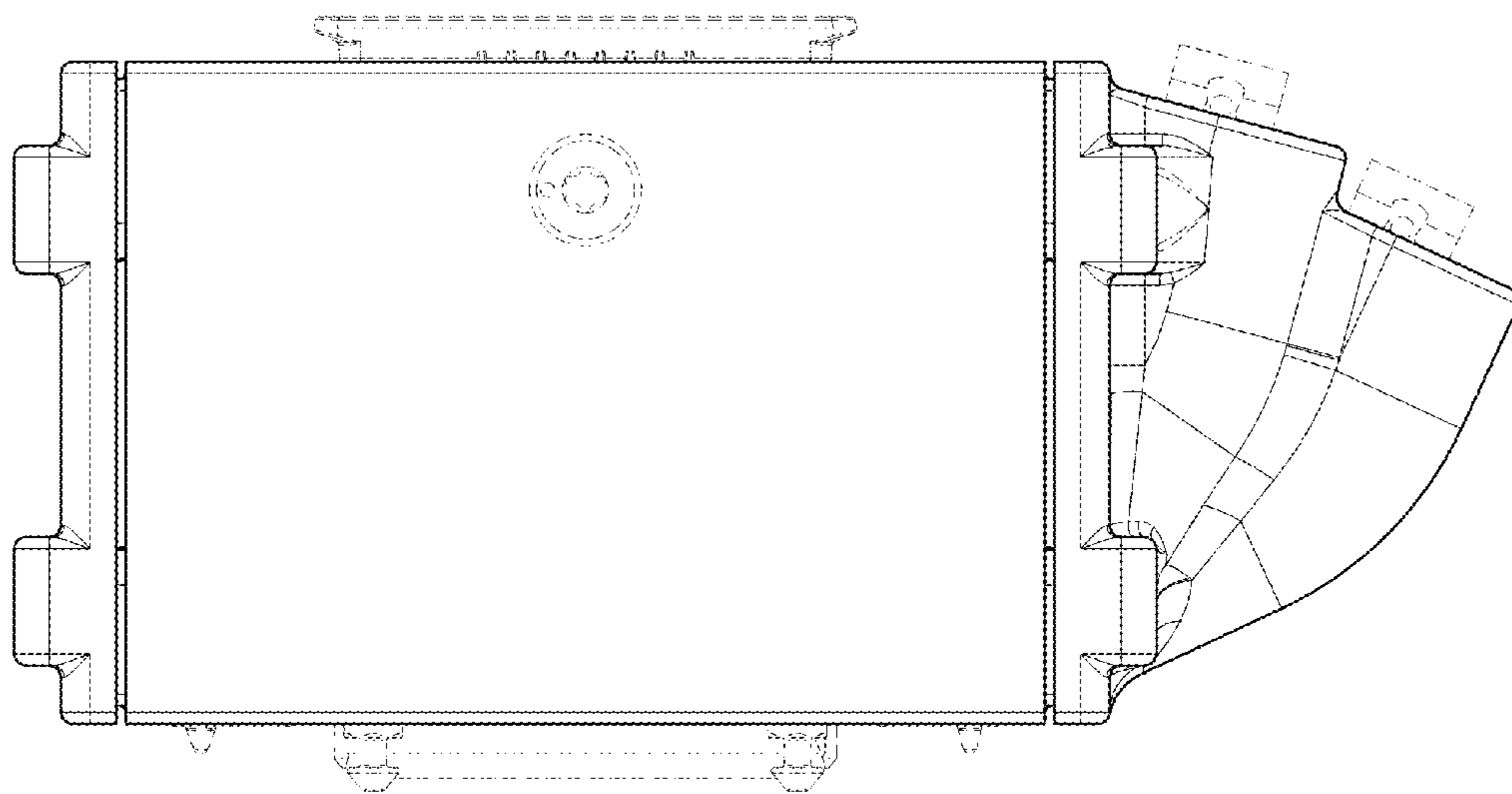


FIG. 8