



US00D726804S

(12) **United States Design Patent**
Voss

(10) **Patent No.:** **US D726,804 S**
(45) **Date of Patent:** **** Apr. 14, 2015**

- (54) **WIRELESS REMOTE CONTROL UNIT FOR CAMERAS**
- (71) Applicant: **Arnold & Richter Cine Technik GmbH & Co. Betriebs KG**, Munich (DE)
- (72) Inventor: **Hendrik Voss**, Munich (DE)
- (73) Assignee: **Arnold & Richter Cine Technik GmbH & Co. Betriebs KG**, Munich (DE)
- (**) Term: **14 Years**
- (21) Appl. No.: **29/466,317**
- (22) Filed: **Sep. 6, 2013**
- (51) **LOC (10) Cl.** **16-05**
- (52) **U.S. Cl.**
USPC **D16/237**
- (58) **Field of Classification Search**
CPC G03B 15/041-15/0436; G03B 17/561-17/568; G03B 21/20-21/2066
USPC D16/205, 211, 214, 218-220, 237-250, D16/302, 303; D19/9-10; D14/448-450; D8/354, 394-396
See application file for complete search history.

(56) **References Cited**

U.S. PATENT DOCUMENTS

D308,389	S *	6/1990	Horn et al.	D16/242
D370,686	S *	6/1996	Snoke	D16/245
D385,819	S *	11/1997	Chen	D10/119.3
D449,848	S *	10/2001	Lewis et al.	D16/242
6,819,867	B2	11/2004	Mayer, Jr. et al.		
D551,941	S *	10/2007	Miao et al.	D8/336
D610,792	S *	3/2010	Ozuna et al.	D3/17
D656,175	S *	3/2012	Fong	D16/244
8,253,920	B2	8/2012	Bauer et al.		
D679,212	S *	4/2013	Nguyen	D10/119.3
D697,956	S *	1/2014	Davis et al.	D15/144
2005/0140816	A1	6/2005	Tschida et al.		
2013/0182137	A1	7/2013	Voss		

FOREIGN PATENT DOCUMENTS

DE	4219331	A1	12/1993
DE	196 29 484	A1	1/1998
DE	202 16 844	U1	2/2003
DE	10 2004 015 947	A1	10/2005
JP	10078609	A	3/1998
WO	2010/046237	A1	4/2010
WO	2011050867	A1	5/2011

OTHER PUBLICATIONS

Wireless Compact Unit WCU-4. [online] Retrieved Sep. 8, 2014 from URL: <http://www.arri.com/camera/pro_camera_accessories_electronic_control_system/products/wireless_compact_unit_wcu_4/>.*
ARRI Professional Camera Accessories Brochure dated Apr. 1, 2010, pp. 1-4, 18-30.

* cited by examiner

Primary Examiner — Susan Bennett Hattan

Assistant Examiner — Vy Koenig

(74) *Attorney, Agent, or Firm* — Gifford, Krass, Sprinkle, Anderson & Citkowski, P.C.

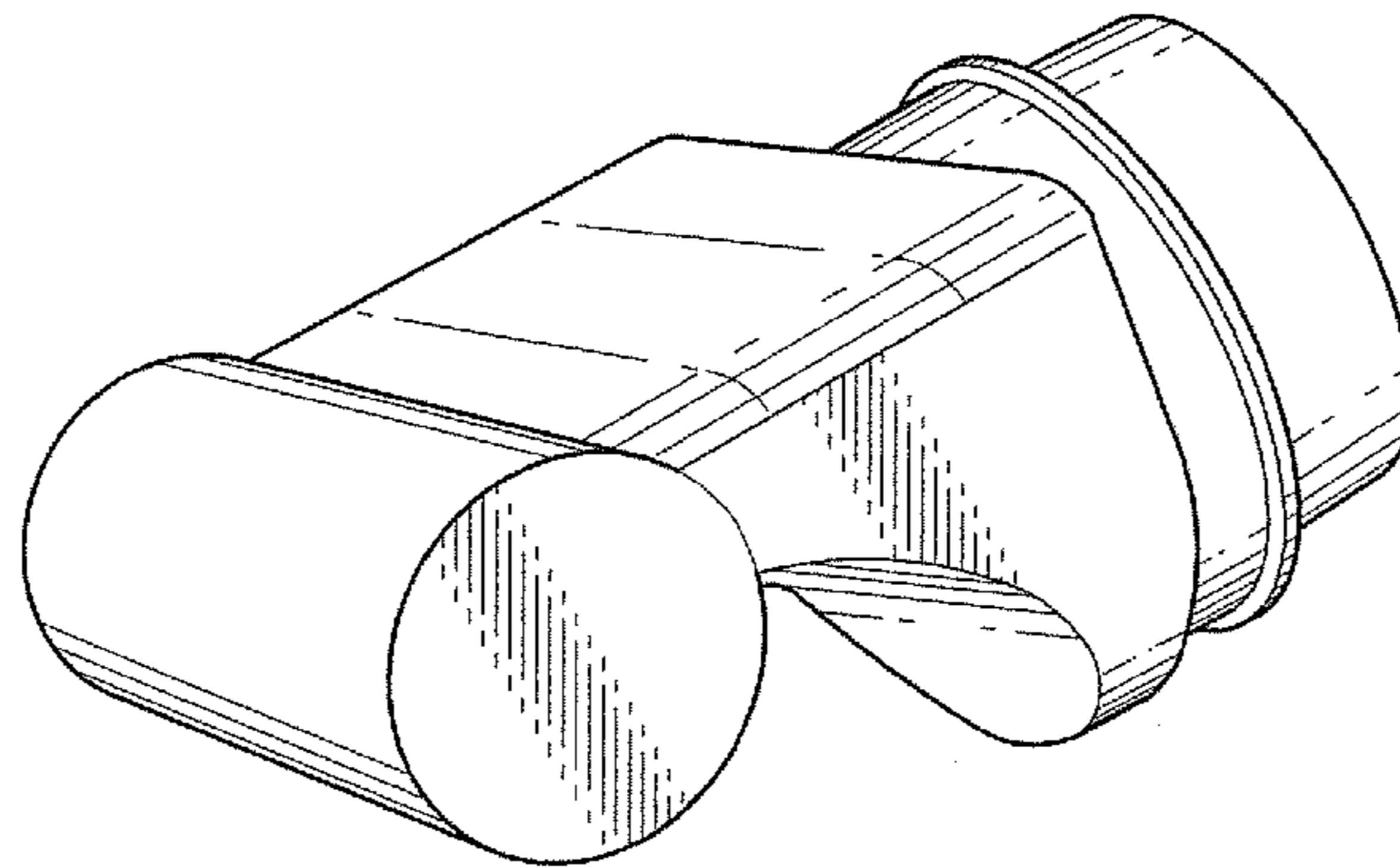
(57) **CLAIM**

The ornamental design for a wireless remote control unit for cameras, as shown and described.

DESCRIPTION

FIG. 1 is a perspective view illustrating a wireless remote control unit for cameras in accordance with the invention;
FIG. 2 is a top view thereof;
FIG. 3 is a bottom view thereof;
FIG. 4 is a right side view thereof;
FIG. 5 is a left side view thereof;
FIG. 6 is a front elevational view thereof; and,
FIG. 7 is a rear elevational view thereof.

1 Claim, 3 Drawing Sheets



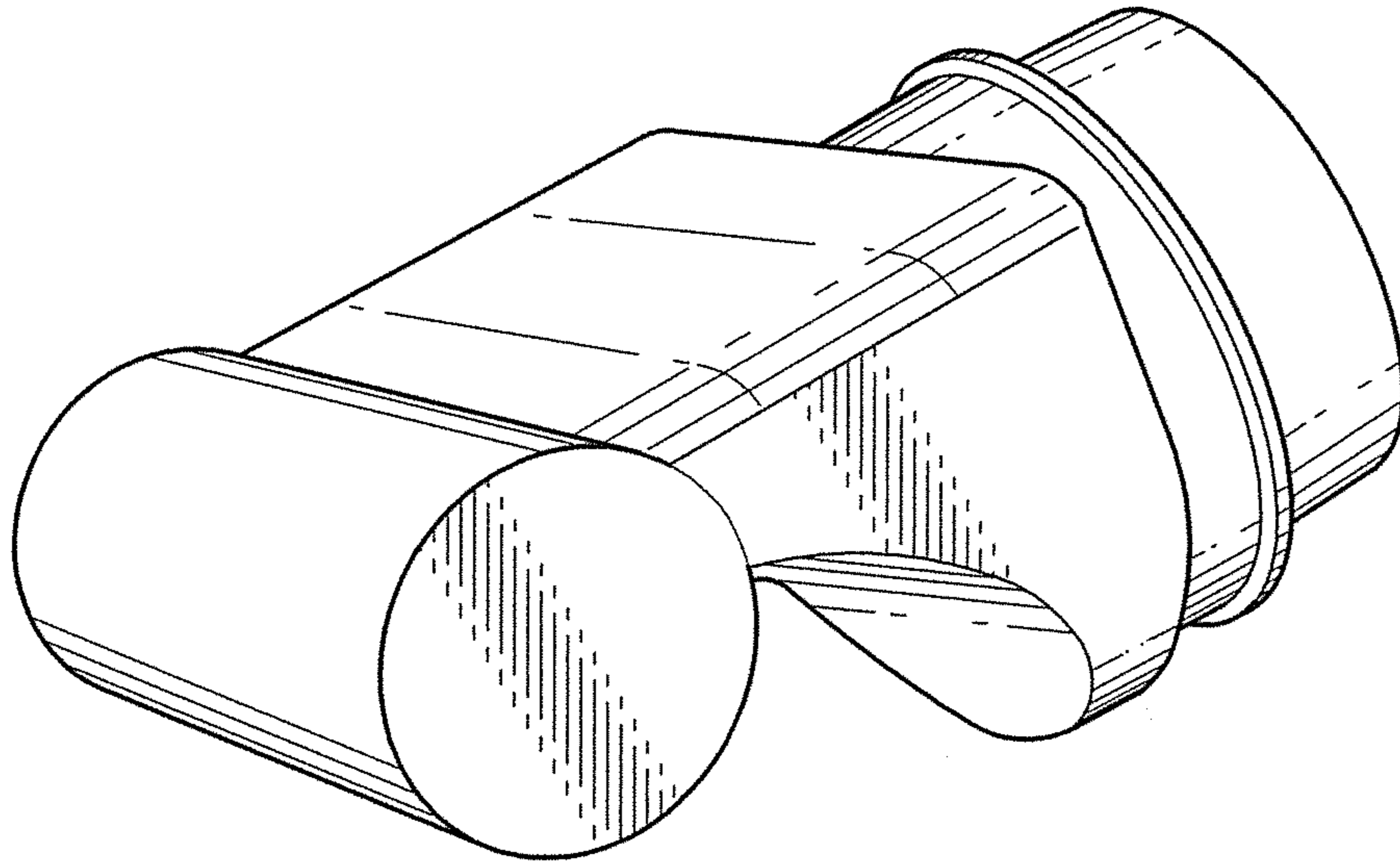


Fig-1

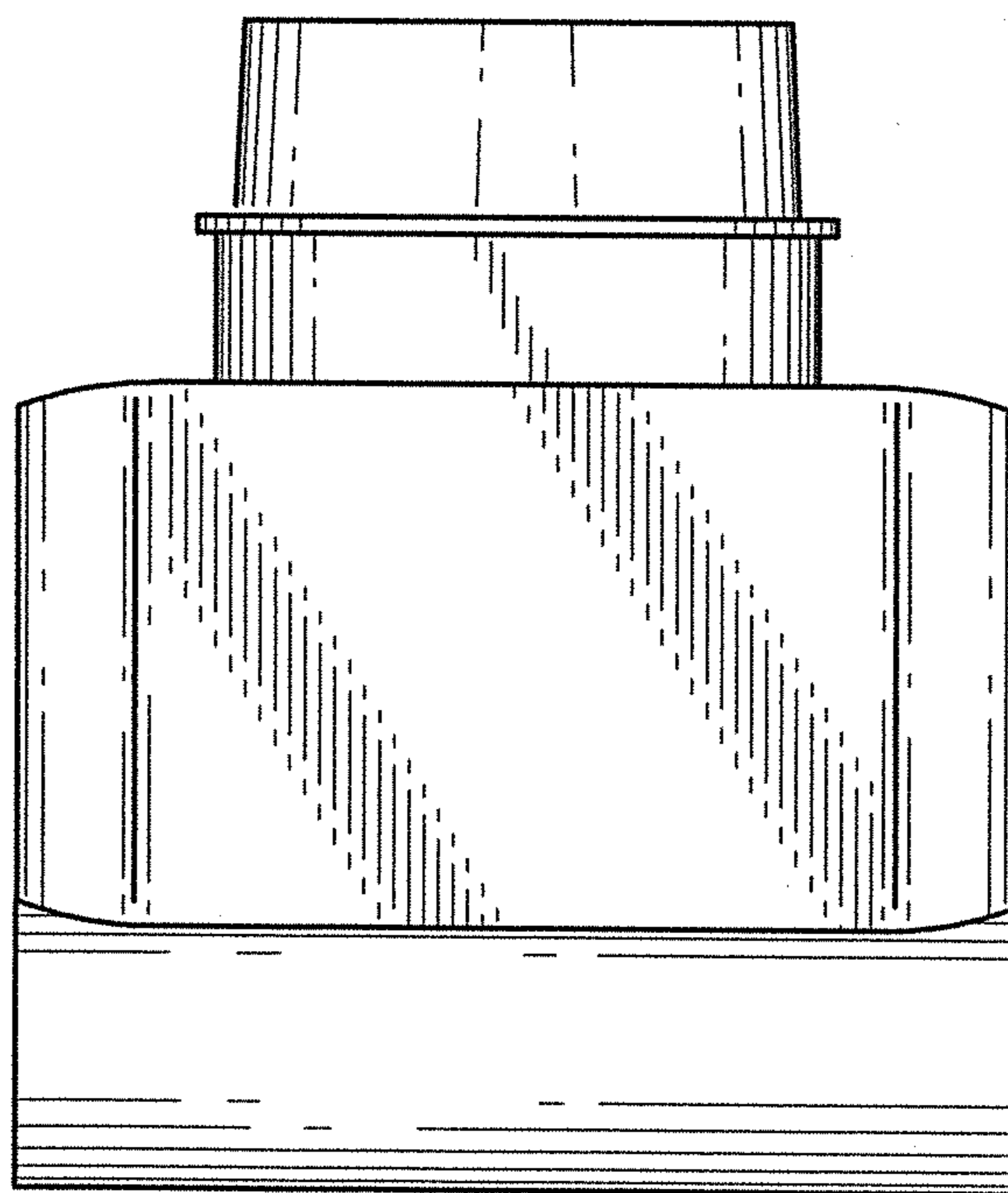


Fig-2

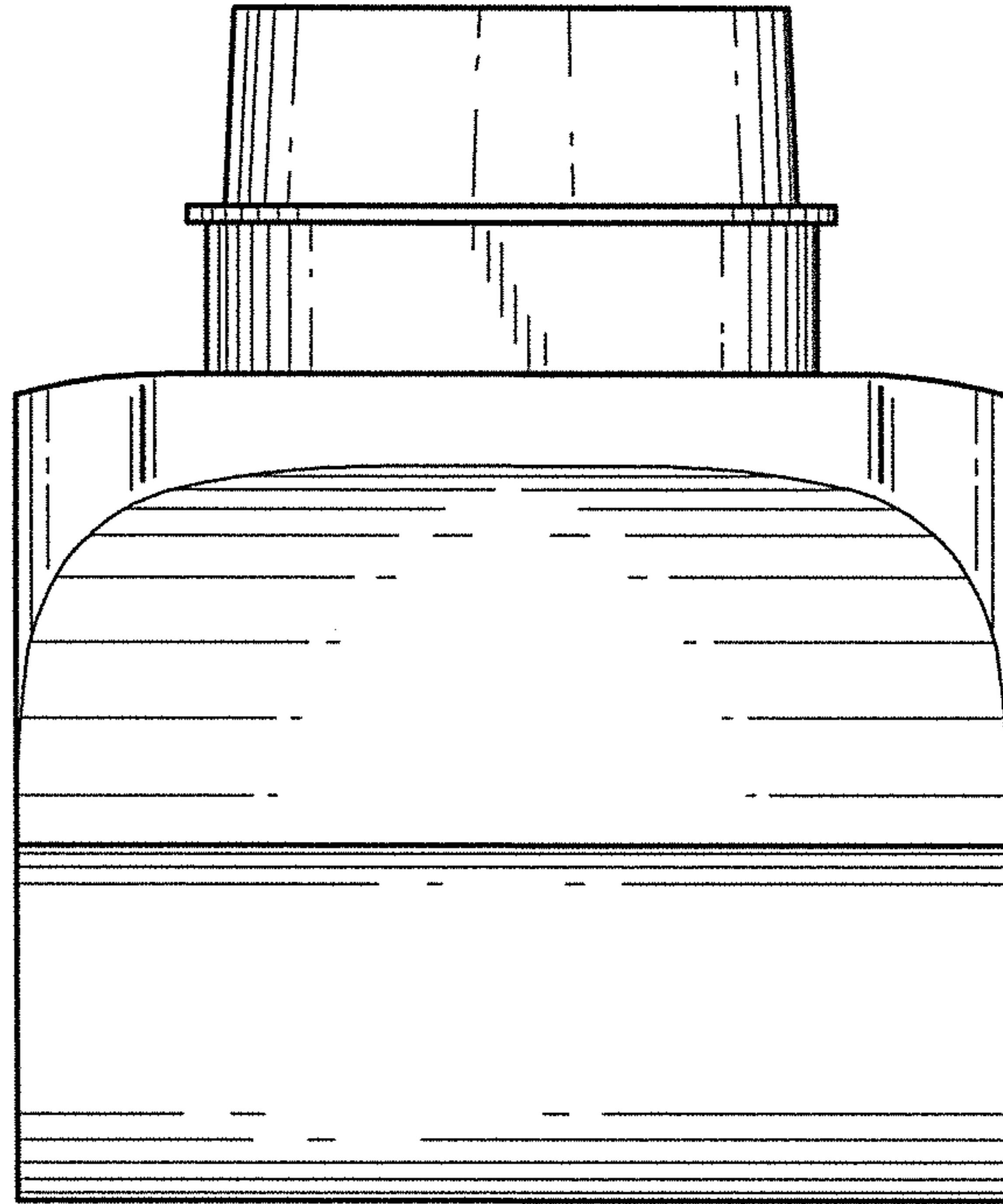


Fig-3

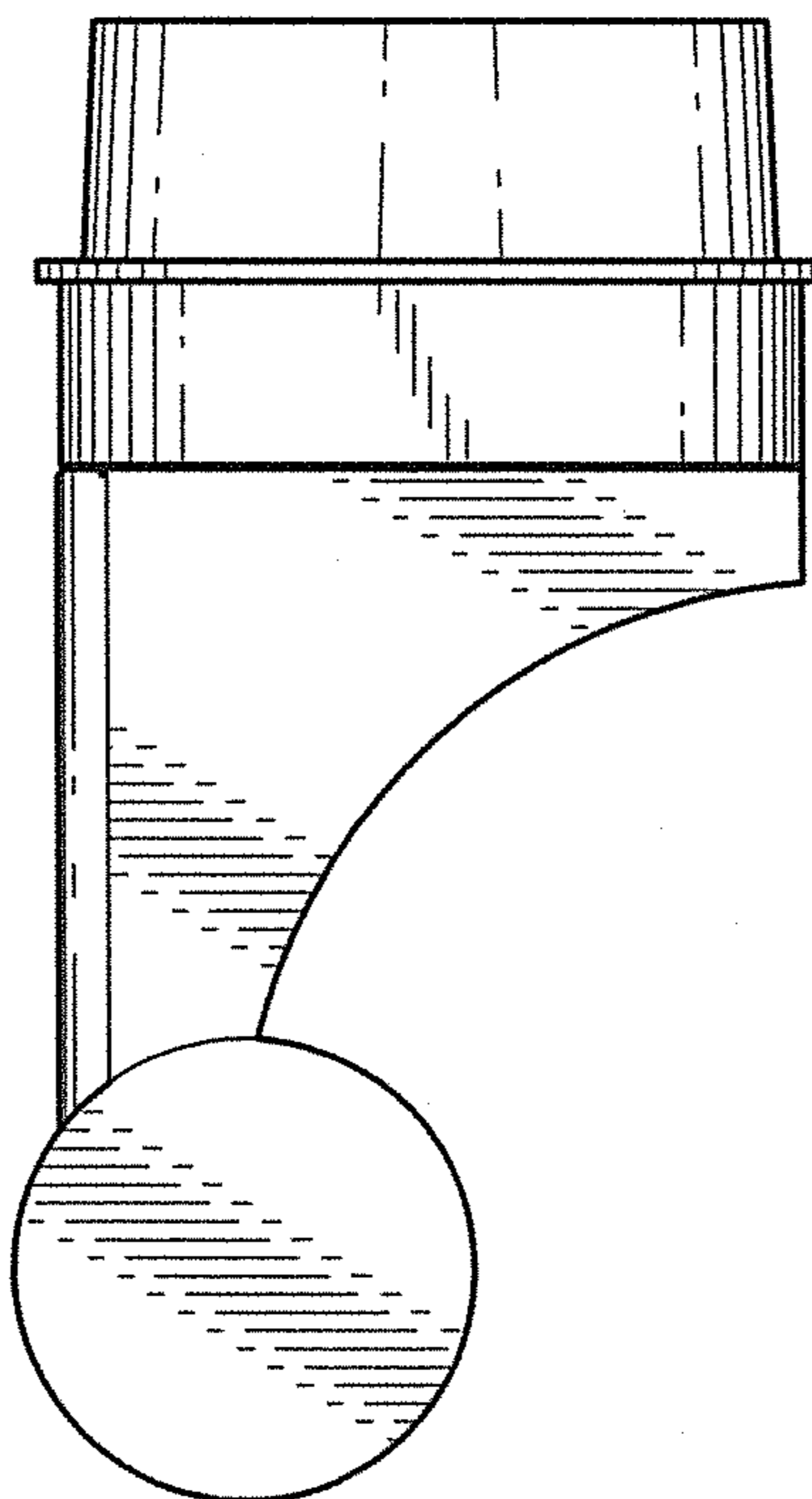


Fig-4

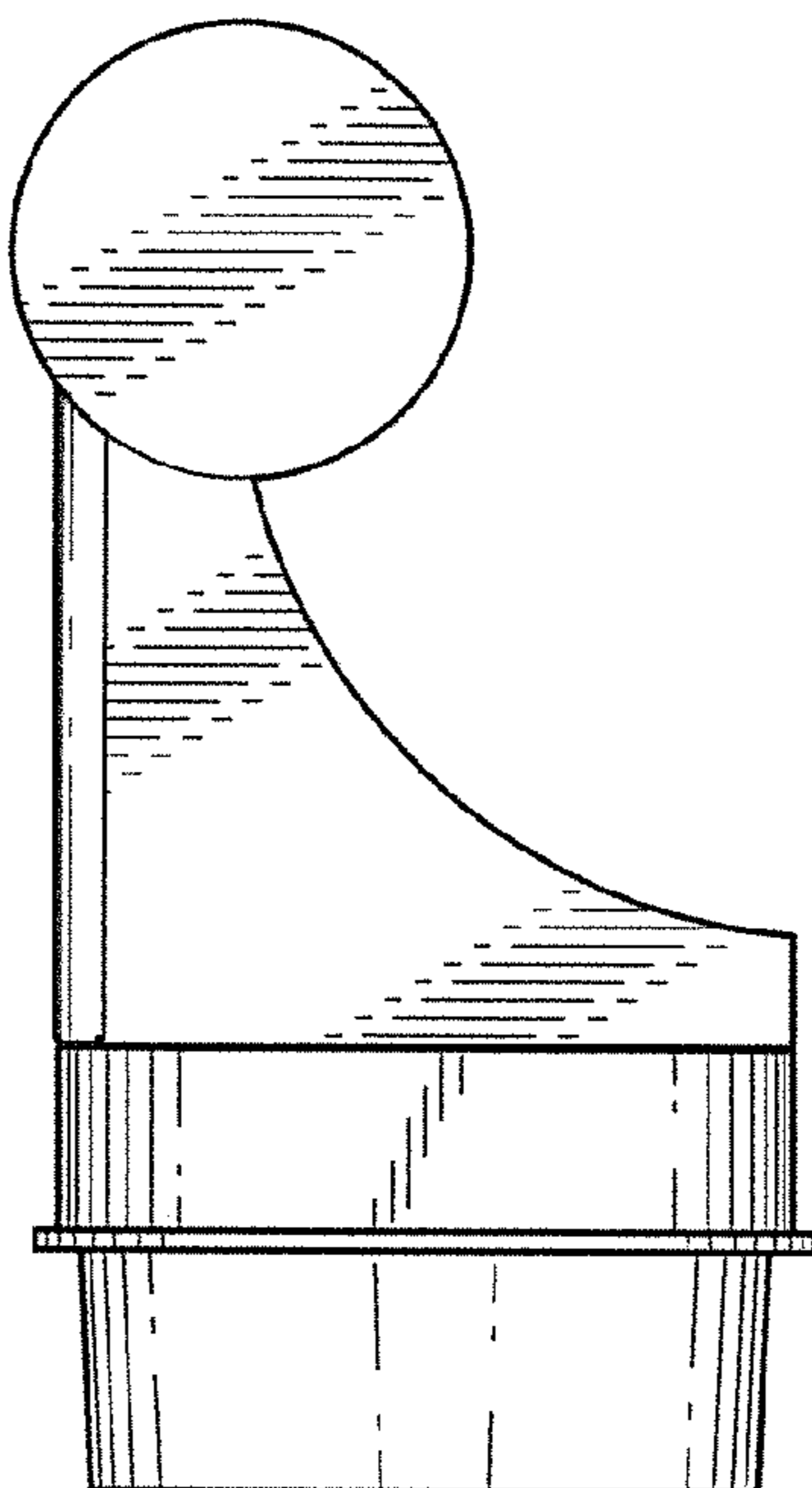


Fig-5

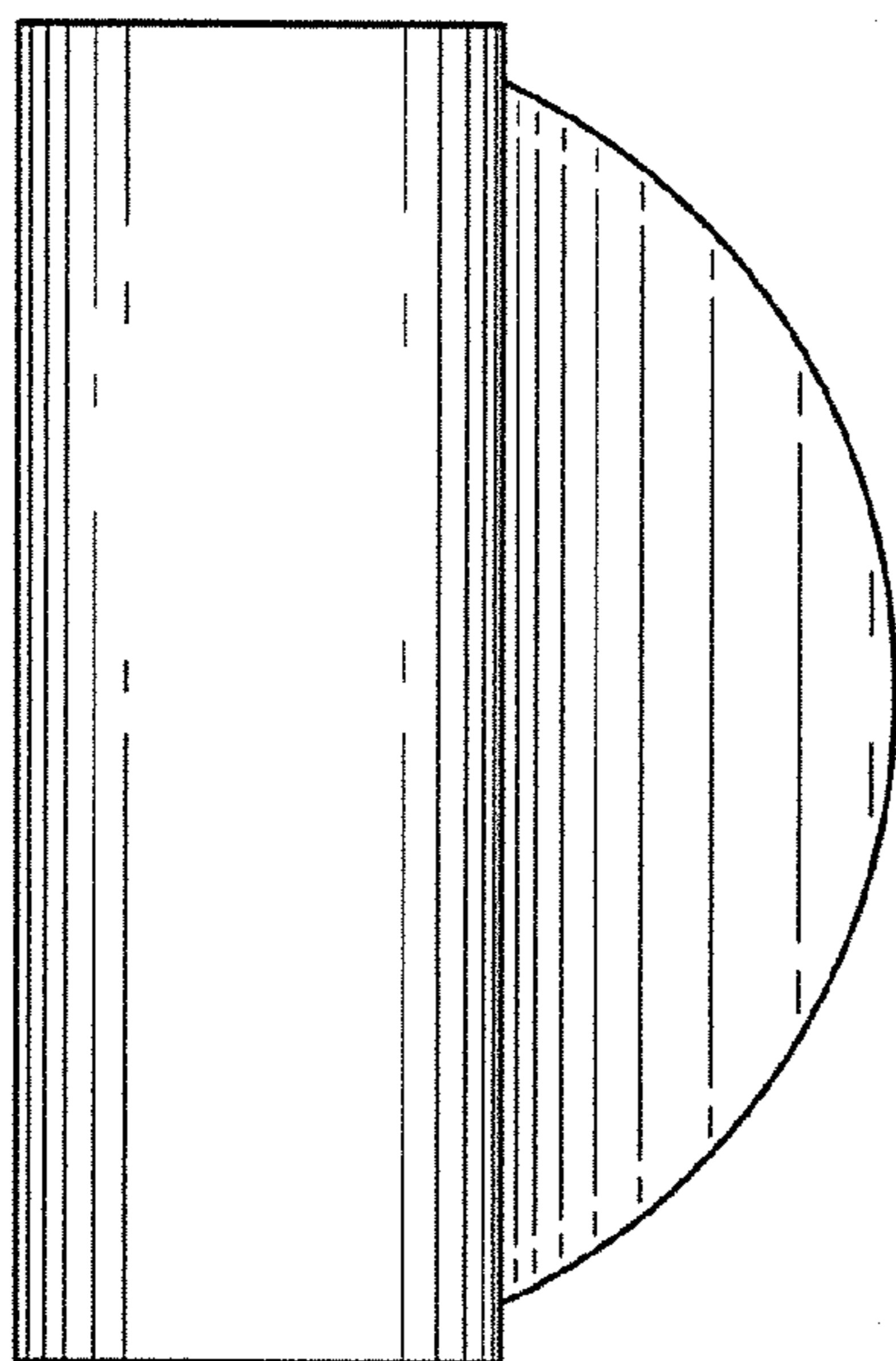


Fig-6

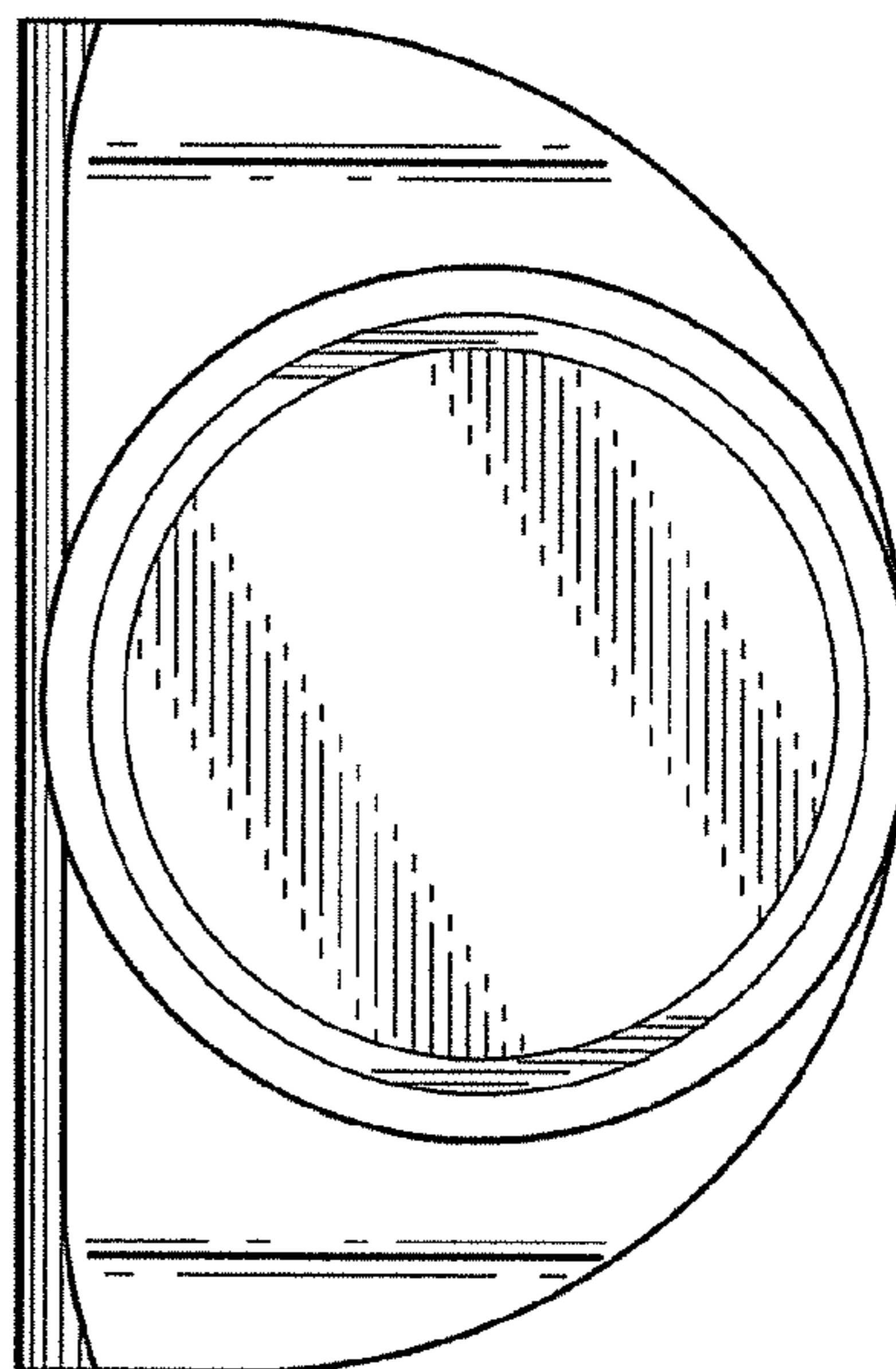


Fig-7