



US00D726803S

(12) **United States Design Patent**  
**Noh**

(10) **Patent No.:** **US D726,803 S**  
(45) **Date of Patent:** **\*\* Apr. 14, 2015**

(54) **CAMERA**

(71) Applicant: **Samsung Electronics Co., Ltd.,**  
Suwon-si (KR)

(72) Inventor: **Kyung-Han Noh, Seoul (KR)**

(73) Assignee: **Samsung Electronics Co., Ltd.,**  
Suwon-si (KR)

(\*\*) Term: **14 Years**

(21) Appl. No.: **29/473,679**

(22) Filed: **Nov. 25, 2013**

(30) **Foreign Application Priority Data**

May 28, 2013 (KR) ..... 30-2013-0027648

(51) **LOC (10) Cl.** ..... **16-05**

(52) **U.S. Cl.**  
USPC ..... **D16/219**

(58) **Field of Classification Search**

CPC ..... G03B 17/02; G03B 19/04; G03B 17/56;  
G03B 17/04; G03B 15/03; G03B 17/14;  
H04N 5/2251; H04N 5/2252; H04N 5/2253;  
H04N 5/2254; G02B 7/02; G02B 7/04;  
G02B 7/14

USPC ..... D16/134, 136, 200, 202–205, 218, 219,  
D16/235, 242; 348/373–376; 359/826–828;  
396/529–532, 535, 539–541

See application file for complete search history.

(56) **References Cited**

**U.S. PATENT DOCUMENTS**

D338,479 S \* 8/1993 Takahashi ..... D16/134  
D416,926 S \* 11/1999 Watanabe ..... D16/134  
D417,681 S \* 12/1999 Hayashi ..... D16/134  
D446,232 S \* 8/2001 Watanabe ..... D16/134  
D515,611 S \* 2/2006 Sato ..... D16/219  
D573,625 S \* 7/2008 Watanabe ..... D16/219

D583,847 S \* 12/2008 Watanabe ..... D16/219  
D684,207 S \* 6/2013 Kim ..... D16/219  
D699,278 S \* 2/2014 Isozaki ..... D16/219  
D702,749 S \* 4/2014 Kim ..... D16/219  
D702,750 S \* 4/2014 Yoon ..... D16/219  
8,757,904 B2 \* 6/2014 Hasuda et al. .... 396/530

**OTHER PUBLICATIONS**

Pentax K-7 Limited Silver: [http://61174813.at.webry.info/201003/article\\_3.html](http://61174813.at.webry.info/201003/article_3.html) (included on pp. 3-12 of the Japanese Office Action issued in Japanese Design Patent Application No. 2013-026845). Accessed Feb. 6, 2014.

(Continued)

*Primary Examiner* — Adir Aronovich

*Assistant Examiner* — Ramzi Almatrahi

(74) *Attorney, Agent, or Firm* — NSIP Law

(57) **CLAIM**

The ornamental design for a camera, as shown and described.

**DESCRIPTION**

FIG. 1 is a front perspective view of a camera showing my new design;

FIG. 2 is a front view thereof;

FIG. 3 is a rear view thereof;

FIG. 4 is a left-side view thereof;

FIG. 5 is a right-side view thereof;

FIG. 6 is a top view thereof;

FIG. 7 is a bottom view thereof;

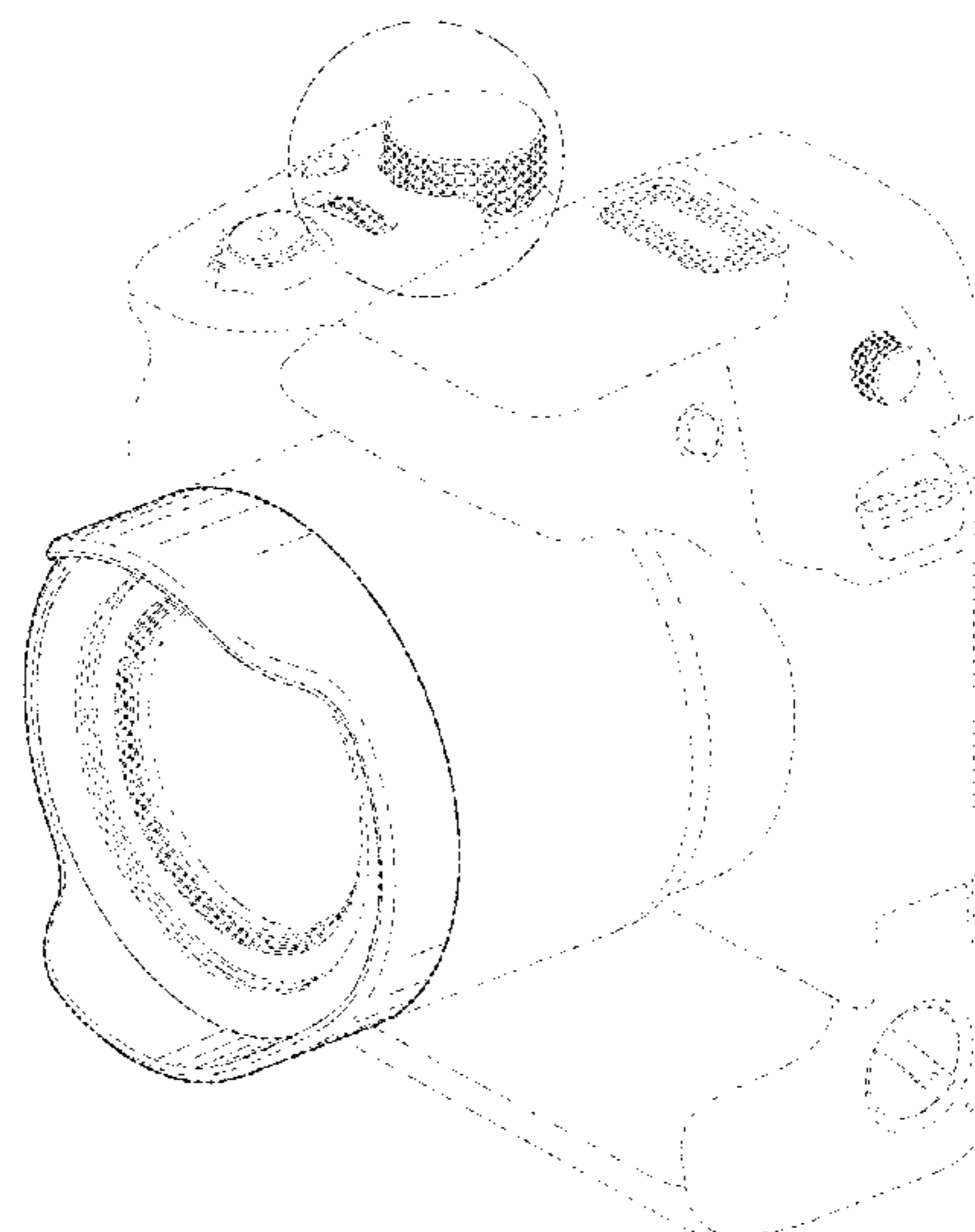
FIG. 8 is an enlarged view of the encircled portion in FIG. 1; and,

FIG. 9 is an enlarged view of the encircled portion in FIG. 6.

The broken lines illustrating portions of the camera are for environmental purposes only and form no part of the claimed design.

The dot-dash broken lines encircling portions of the claimed design that are illustrated in enlargements form no part of the claimed design.

**1 Claim, 9 Drawing Sheets**



(56)

**References Cited**

OTHER PUBLICATIONS

Japanese Office Action Issued Feb. 12, 2014 in counterpart Japanese Design Patent Application No. 2013-026845 (14 pages with 2 pages in English and 12 pages in Japanese).

PENTAX K-7 Limited Silver: [http://61174813.at.webry.info/201003/article\\_3.html](http://61174813.at.webry.info/201003/article_3.html) (including on pp. 3-12 of the Japanese Office Action issued in Japanese Design Patent Application No. 2013-026845). Accessed Feb. 6, 2014. (Webpage no longer available).

\* cited by examiner

FIG. 1

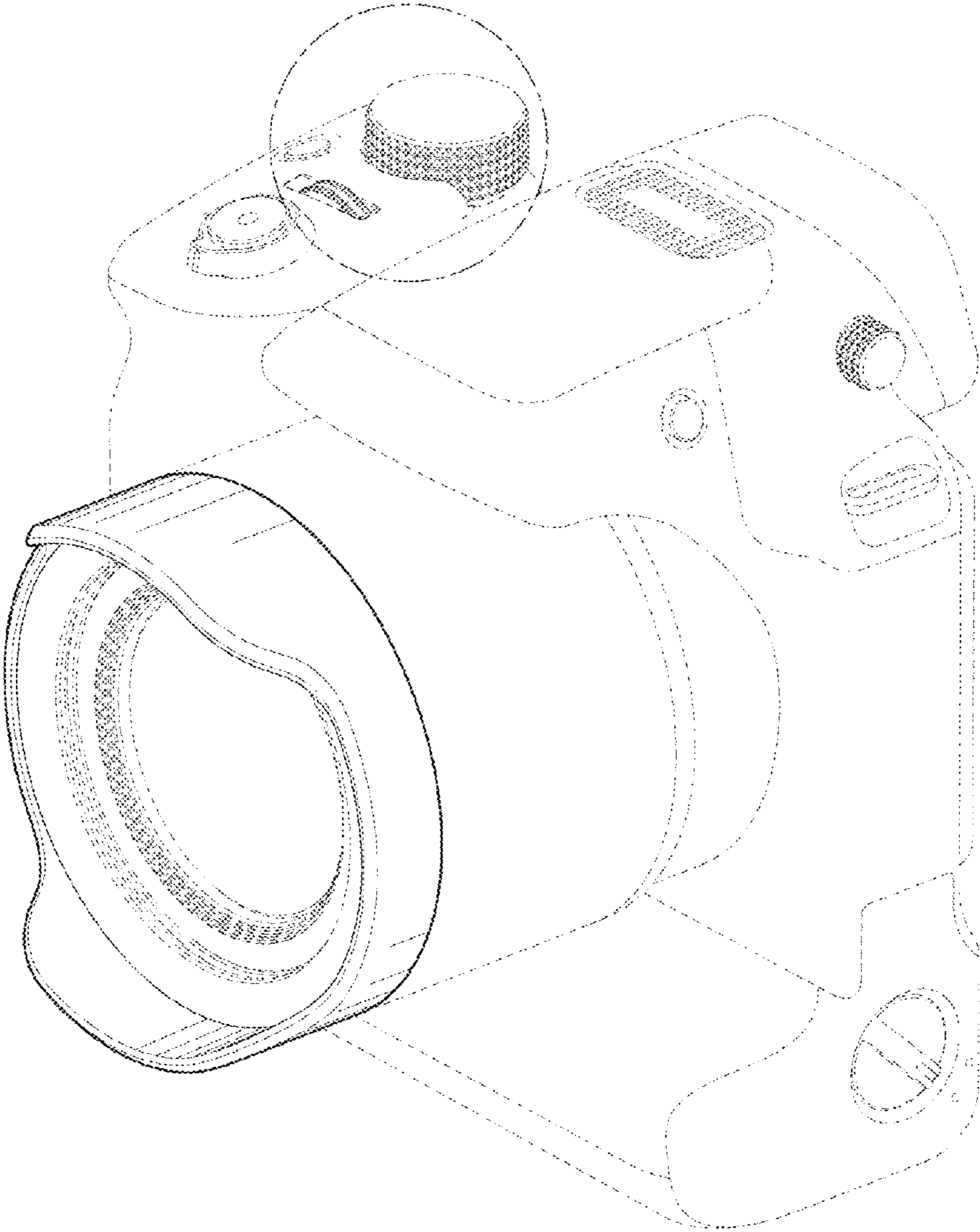


FIG. 2

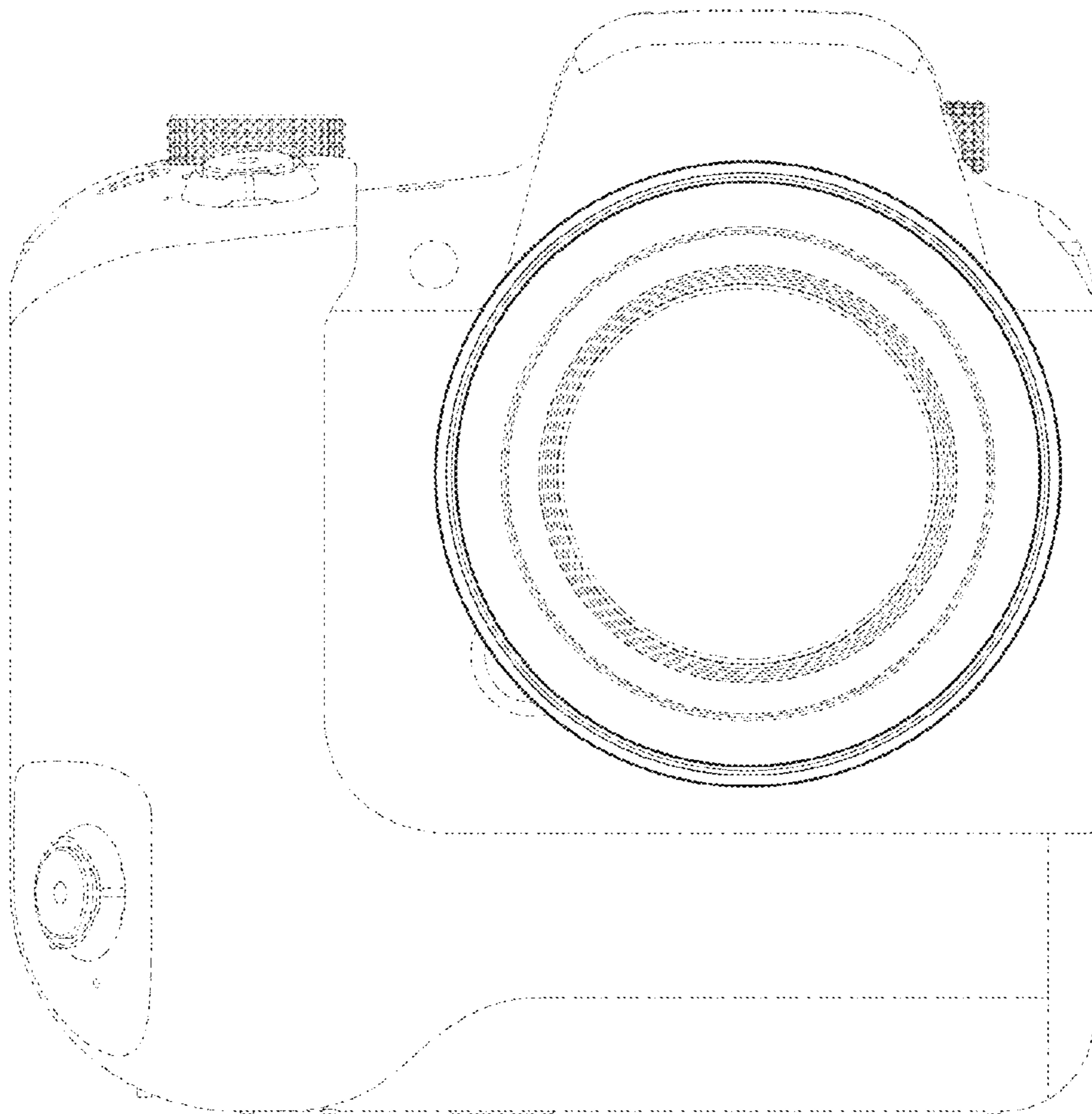


FIG. 3

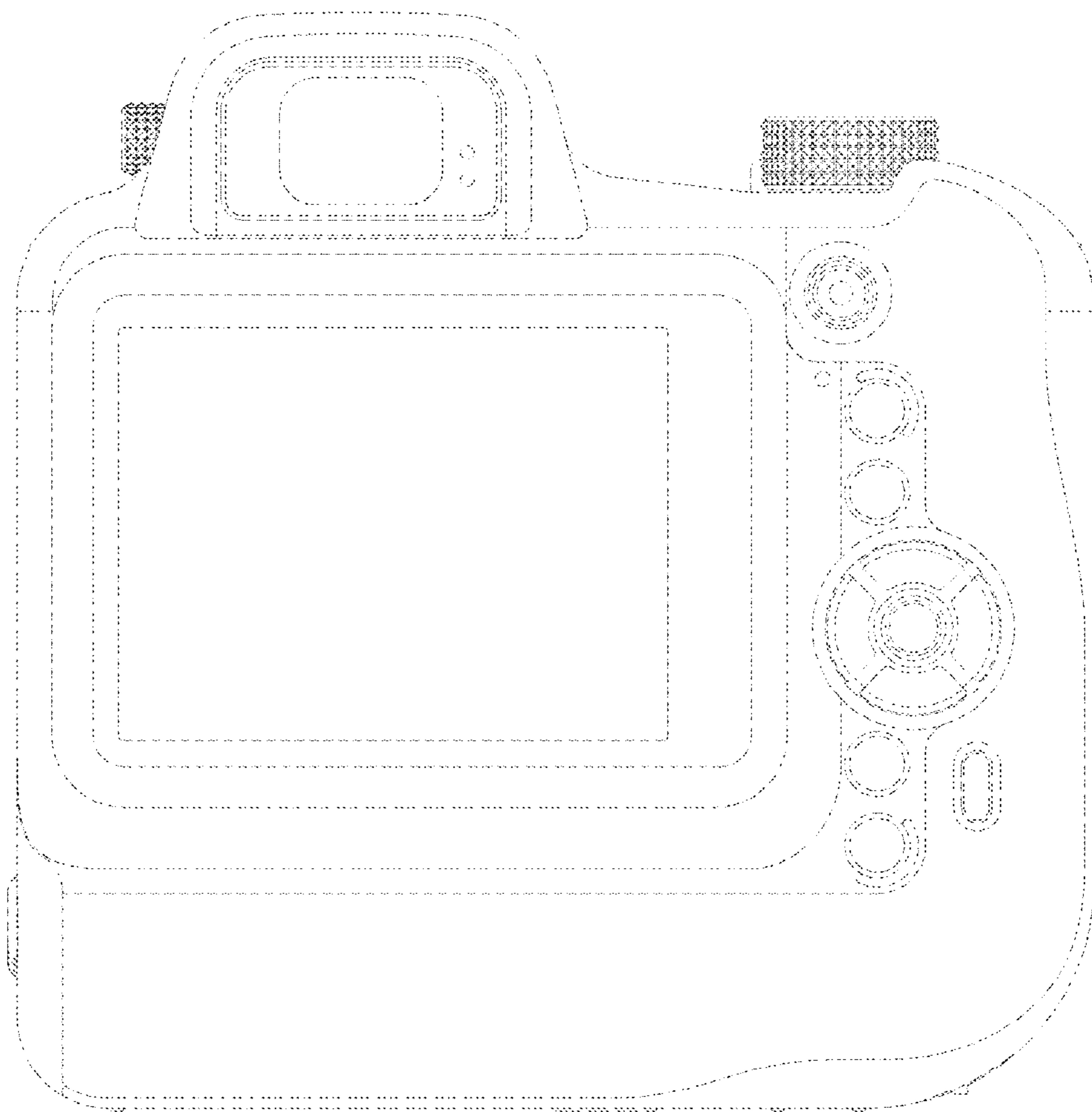




FIG. 4

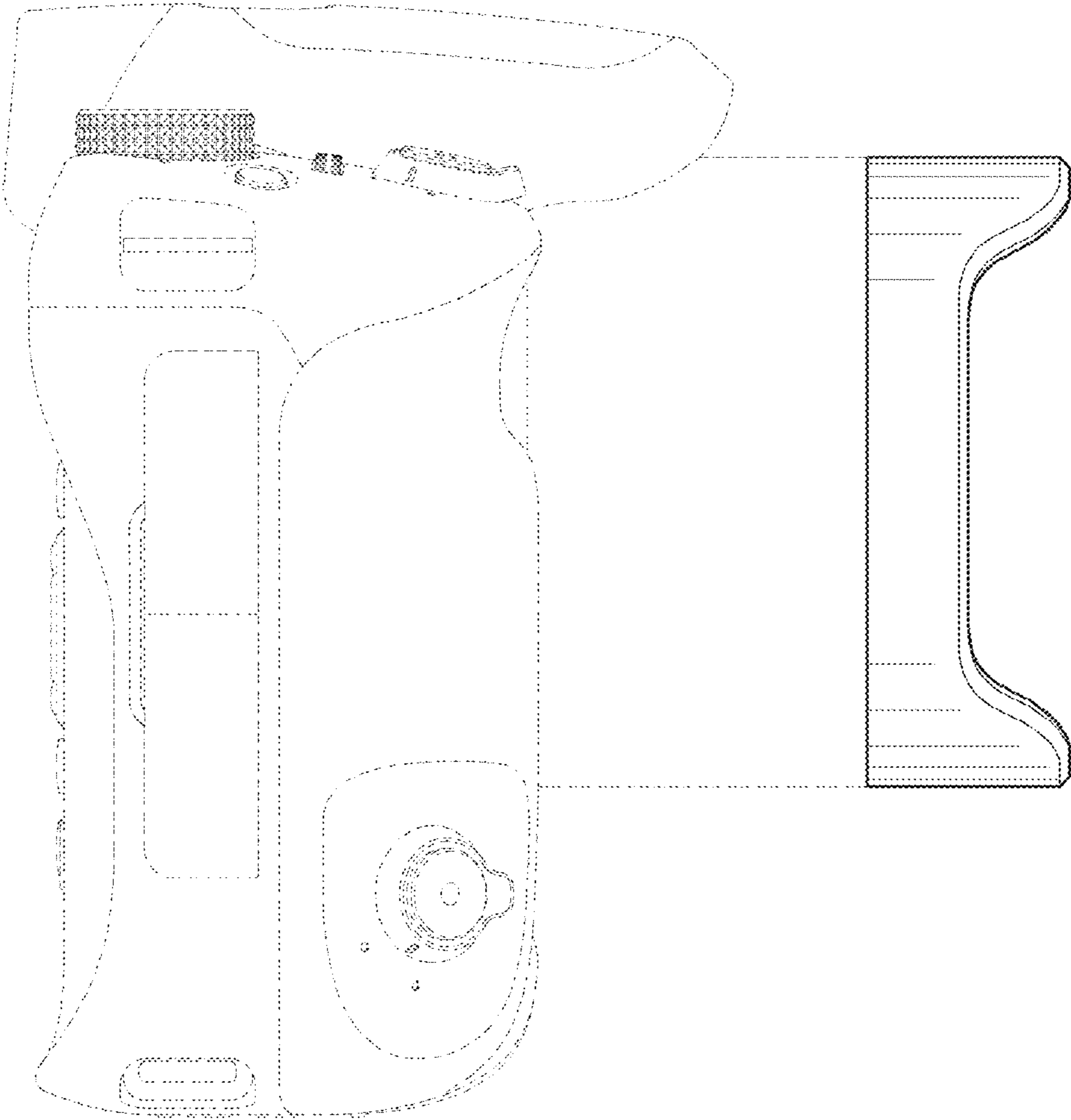


FIG. 5

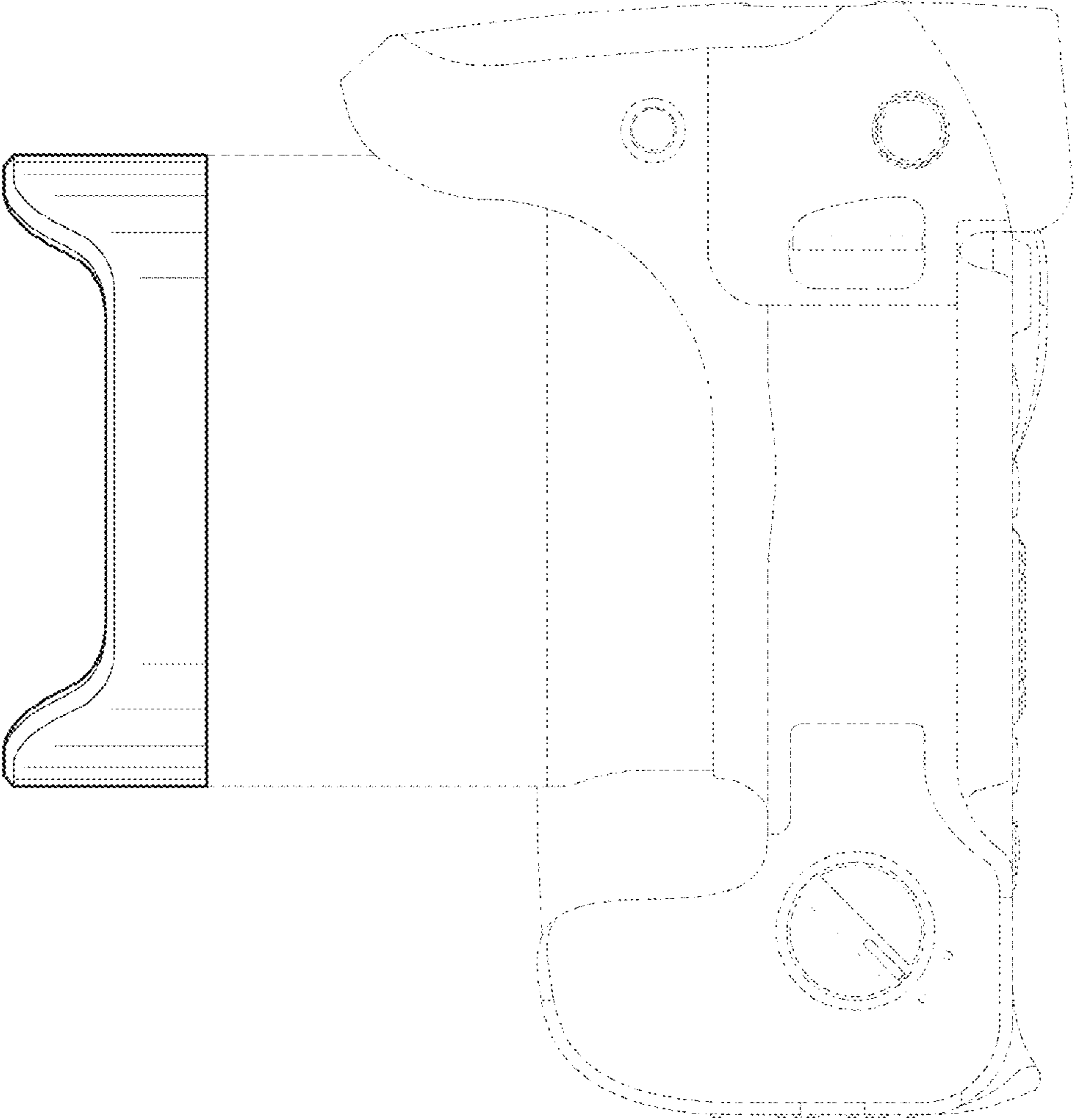


FIG. 6

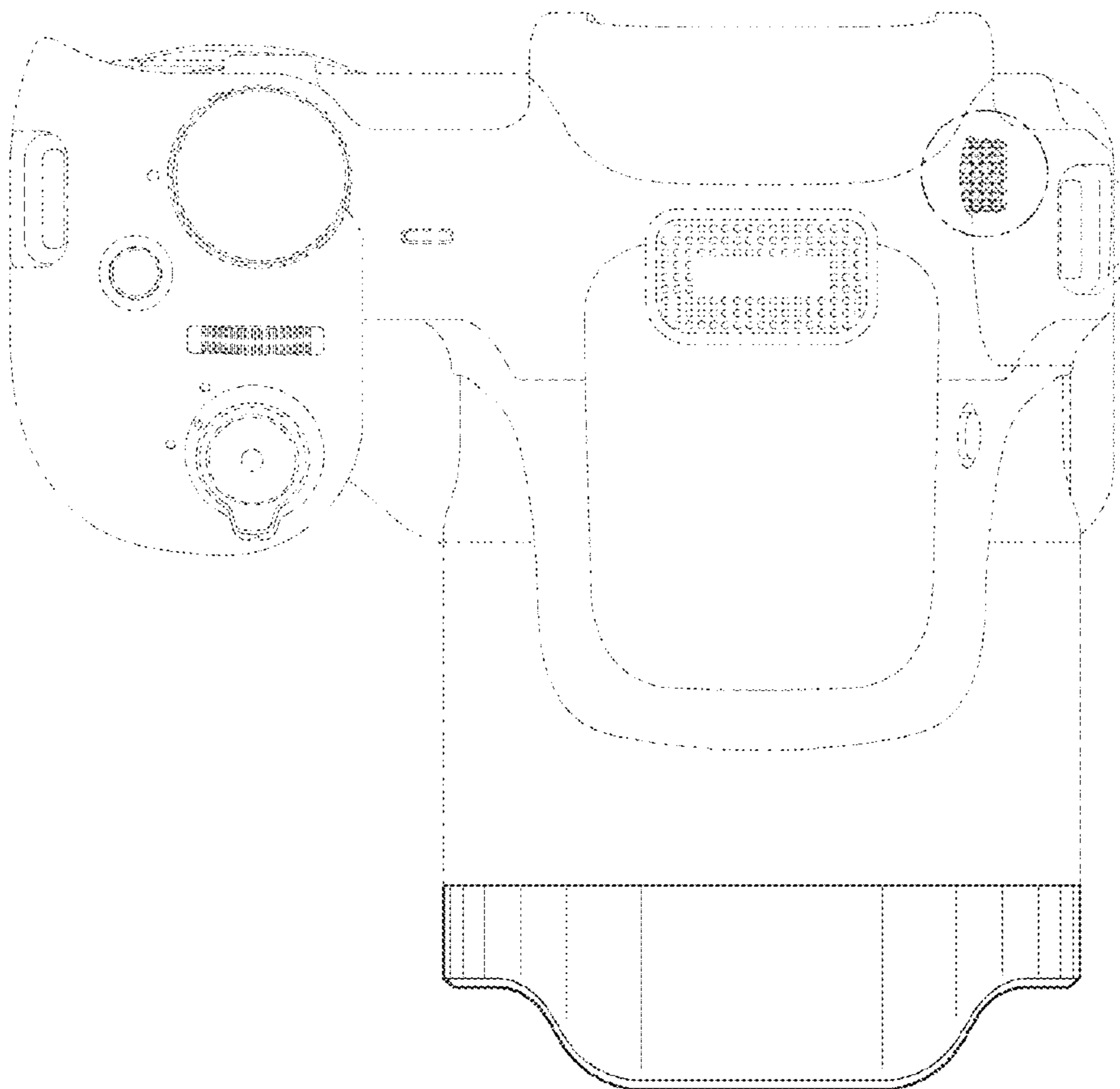




FIG. 7

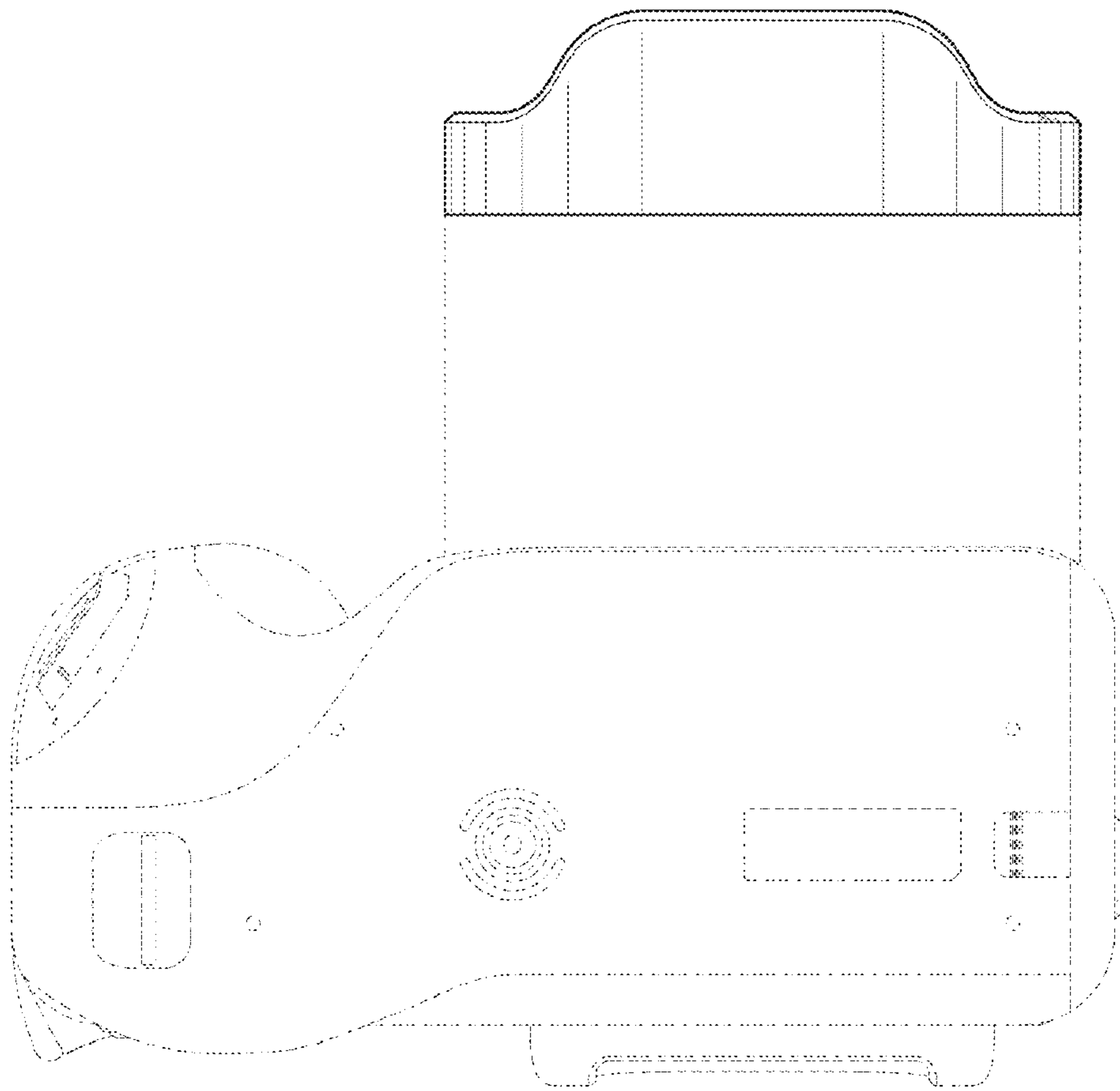


FIG. 8

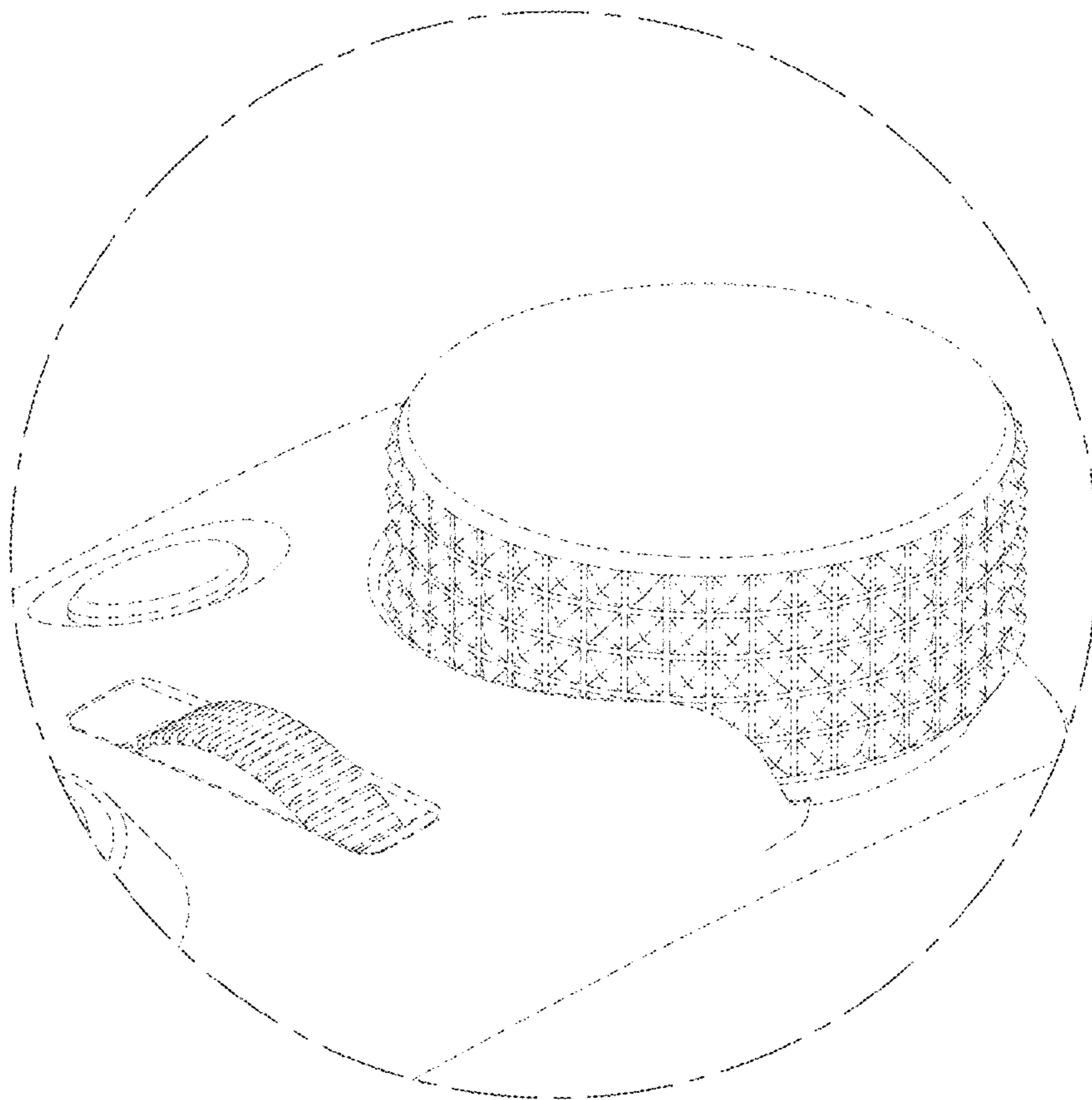


FIG. 9

