



US00D726802S

(12) **United States Design Patent**
Cho

(10) **Patent No.:** **US D726,802 S**
(45) **Date of Patent:** **** Apr. 14, 2015**

(54) **DIGITAL CAMERA**
(71) Applicant: **Samsung Electronics Co., Ltd.,**
Suwon-si (KR)
(72) Inventor: **Chang-Sin Cho,** Seoul (KR)
(73) Assignee: **Samsung Electronics Co., Ltd.,**
Suwon-si (KR)

D210,253	S	*	2/1968	Dine	D16/239
D442,617	S	*	5/2001	Ohmori et al.	D16/204
D509,524	S	*	9/2005	Watanabe	D16/219
7,527,440	B1	*	5/2009	White	396/419
D614,683	S	*	4/2010	Oikawa et al.	D16/206
D649,573	S	*	11/2011	Al	D16/203
D651,632	S	*	1/2012	Kim et al.	D16/202
D659,732	S	*	5/2012	Kim et al.	D16/202
D681,713	S	*	5/2013	Kim et al.	D16/202
D697,119	S	*	1/2014	Park et al.	D16/203

* cited by examiner

(**) Term: **14 Years**
(21) Appl. No.: **29/473,275**
(22) Filed: **Nov. 20, 2013**

Primary Examiner — Adir Aronovich
Assistant Examiner — Ramzi Almatrahi
(74) *Attorney, Agent, or Firm* — NSIP Law

(30) **Foreign Application Priority Data**
May 21, 2013 (KR) 30-2013-0026321
(51) **LOC (10) Cl.** **16-05**
(52) **U.S. Cl.**
USPC **D16/219**
(58) **Field of Classification Search**
CPC G03B 15/03; G03B 17/02; G03B 17/04;
G03B 17/56; G03B 19/04; G03B 17/14;
H04N 5/2251; H04N 5/2252; H04N 5/2253;
H04N 5/2254; G02B 7/02; G02B 7/04;
G02B 7/14
USPC D16/134, 136, 200, 202–208, 210, 218,
D16/219, 235; 348/143, 148, 151, 373–376;
359/826–828, 889; 396/419, 427,
396/529–532, 535, 539–541
See application file for complete search history.

(57) **CLAIM**
The ornamental design for a digital camera, as shown and described.

DESCRIPTION

FIG. 1 is a front perspective view of a digital camera showing my new design;
FIG. 2 is a front view thereof;
FIG. 3 is a rear view thereof;
FIG. 4 is a left-side view thereof;
FIG. 5 is a right-side view thereof;
FIG. 6 is a top view thereof;
FIG. 7 is a bottom view thereof;
FIG. 8 is an enlarged view of the smaller encircled portion as shown in FIG. 2; and,
FIG. 9 is an enlarged view of the larger encircled portion as shown in FIG. 2.
The broken lines illustrating portions of the digital camera are for environmental purposes only and form no part of the claimed design.
The dot-dash broken lines encircling portions of the claimed design that are illustrated in enlargements form no part of the claimed design.

(56) **References Cited**
U.S. PATENT DOCUMENTS
2,205,179 A * 6/1940 Schultz 359/889
D182,201 S * 2/1958 Richartz D16/207
D186,831 S * 12/1959 Miyachi D16/207

1 Claim, 6 Drawing Sheets

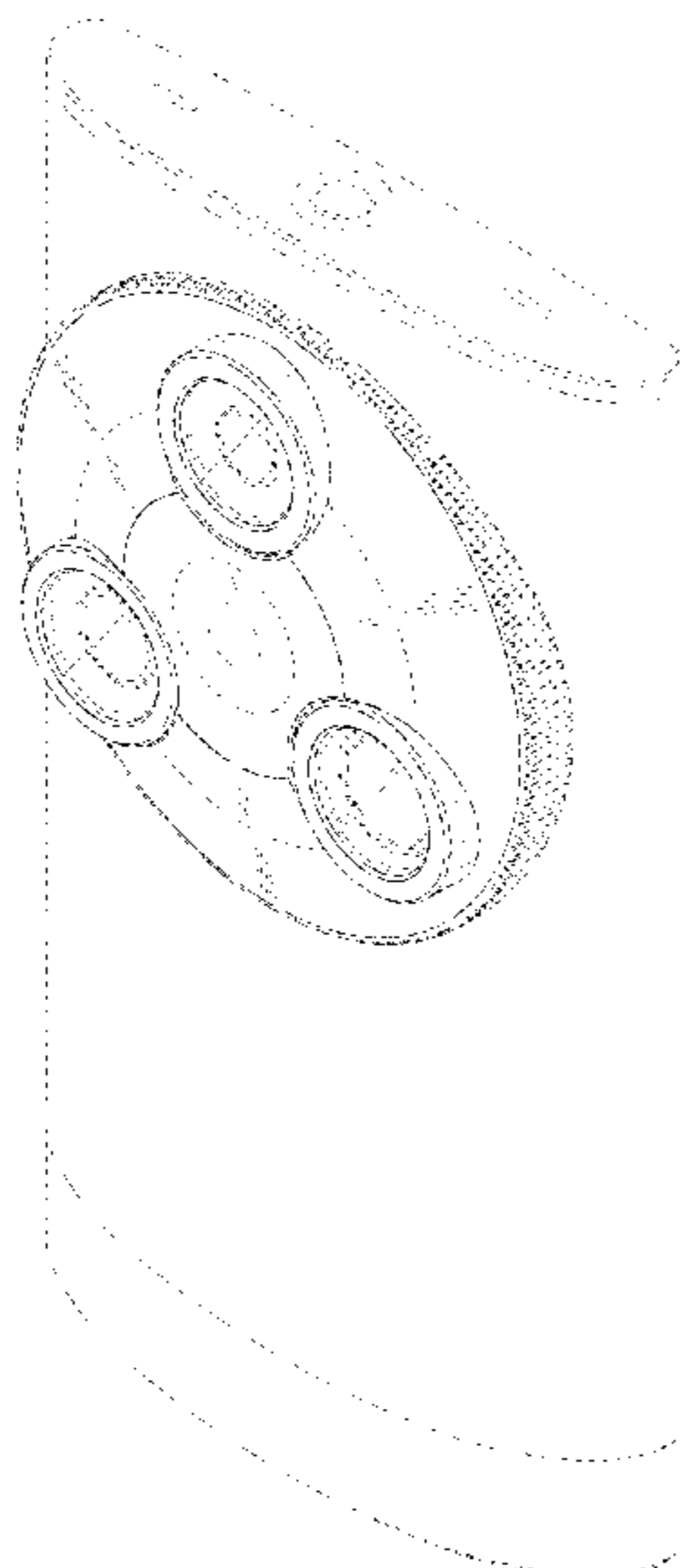


FIG. 1

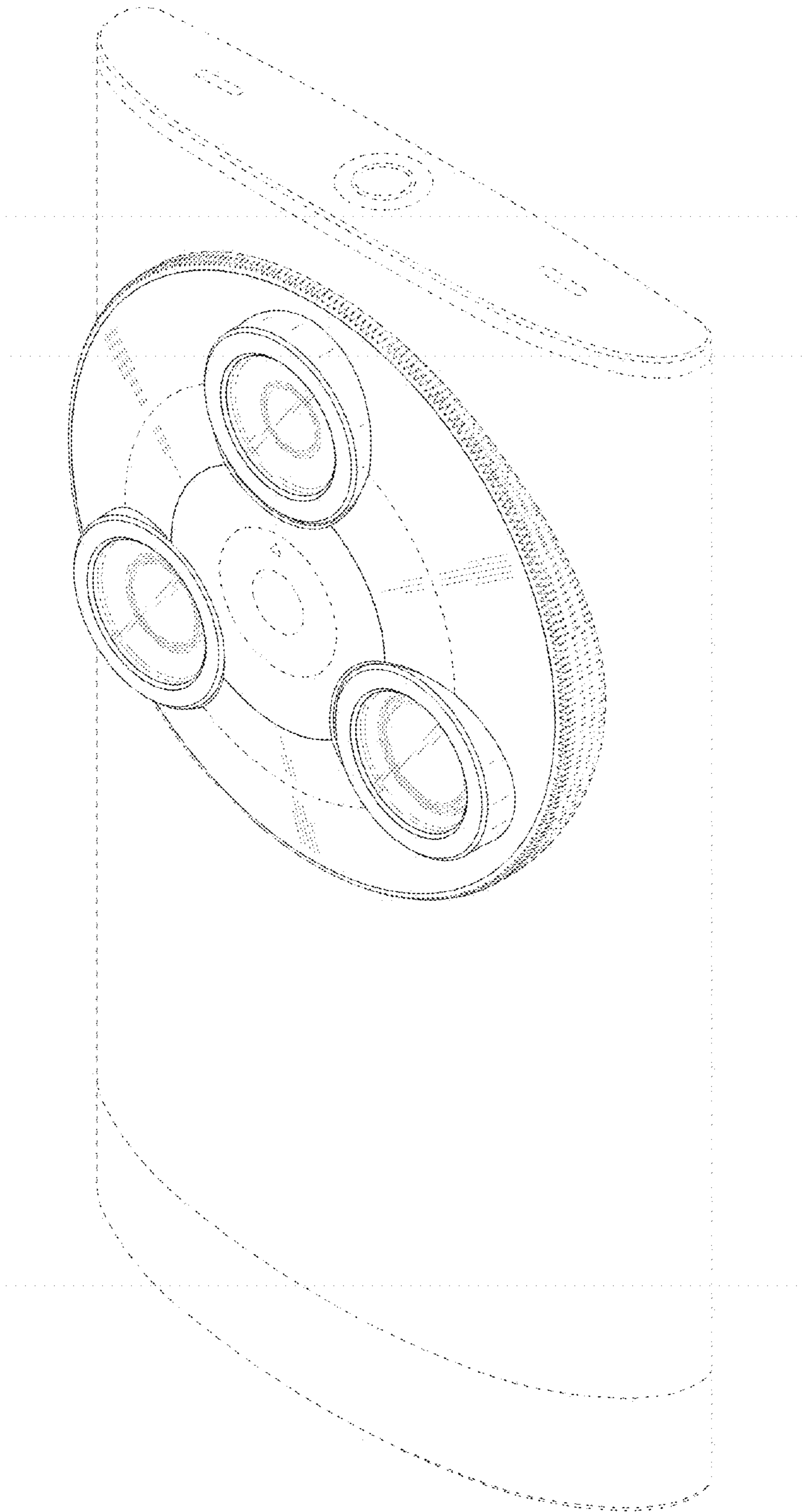


FIG.2

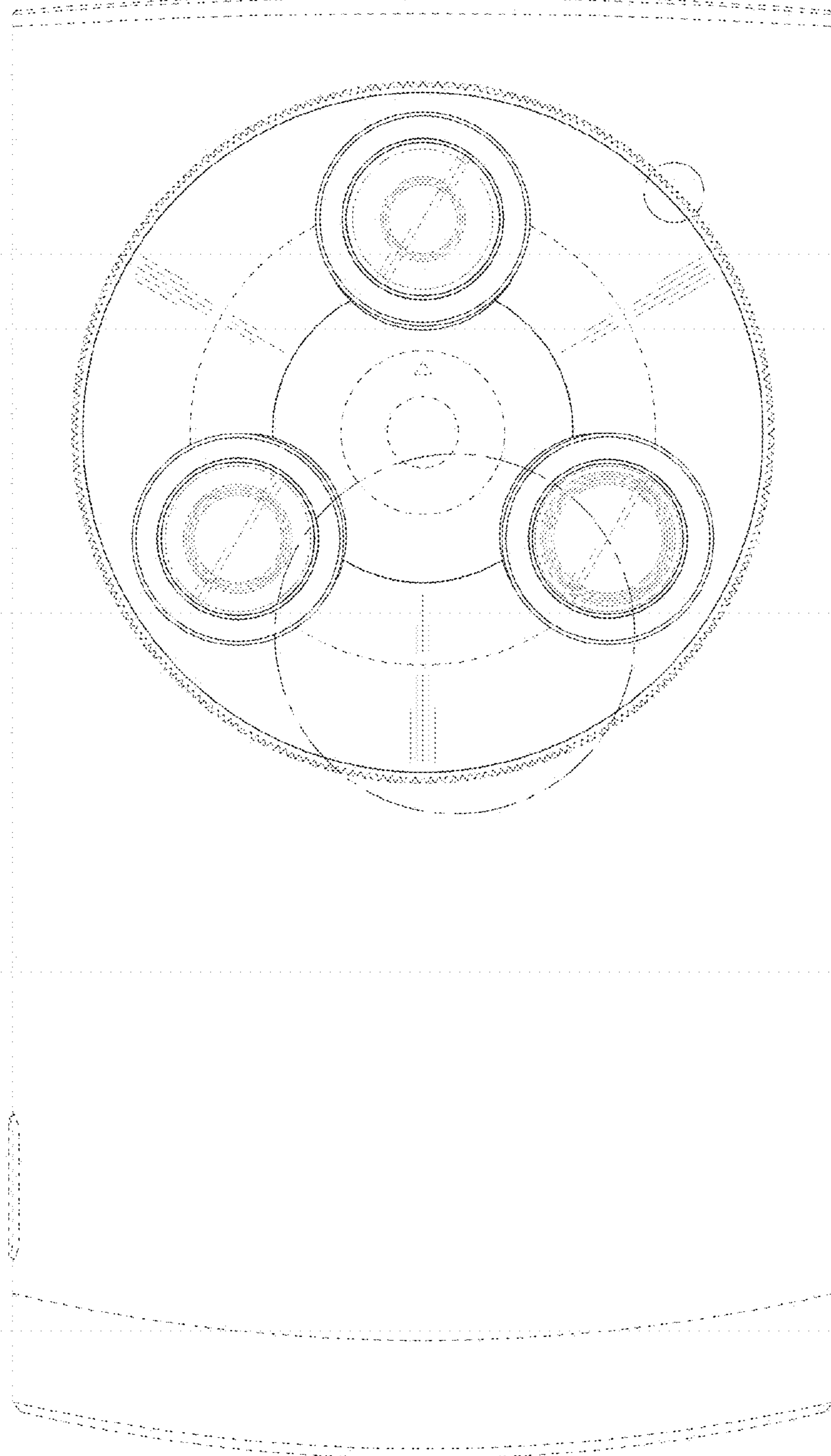


FIG.3

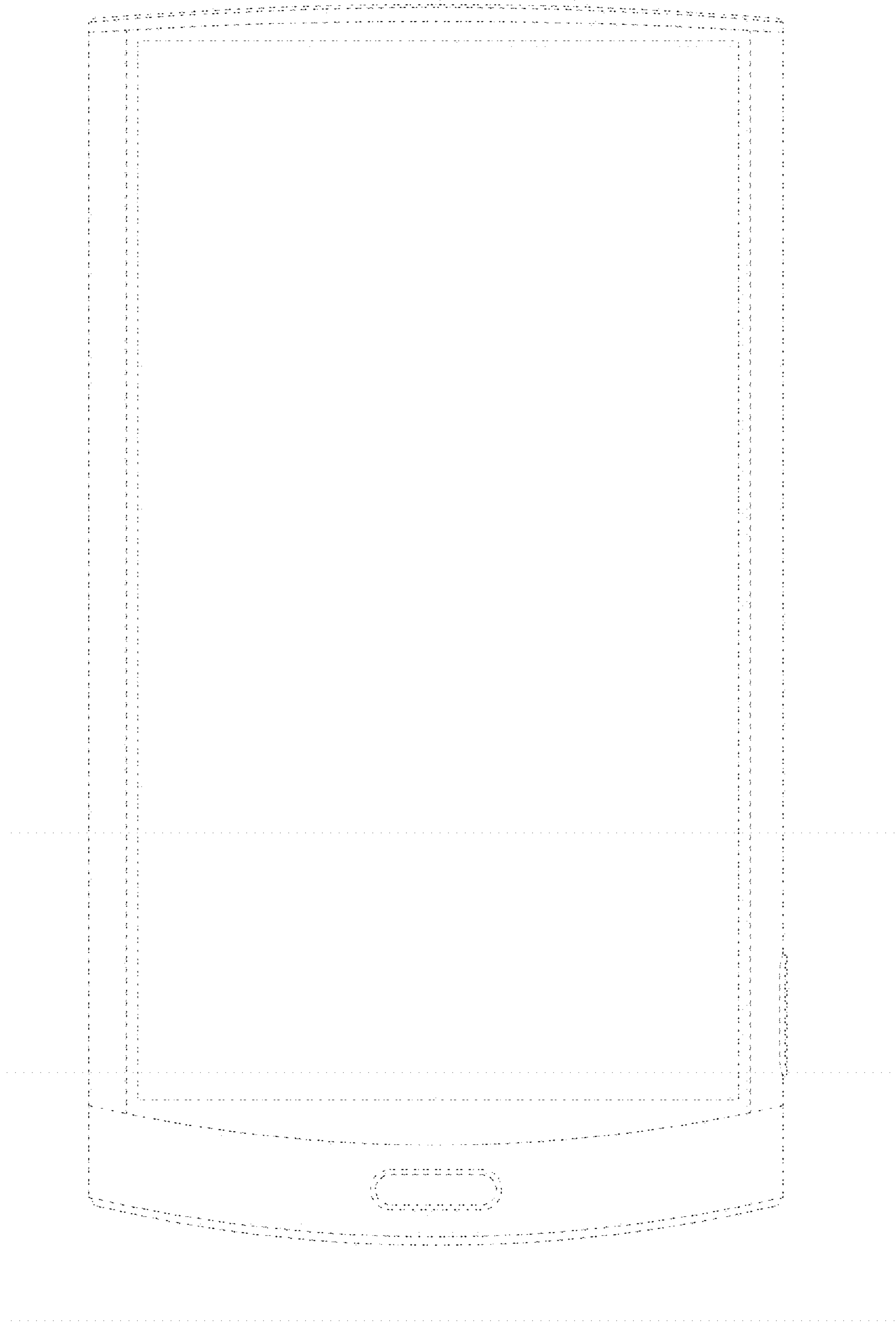


FIG.4

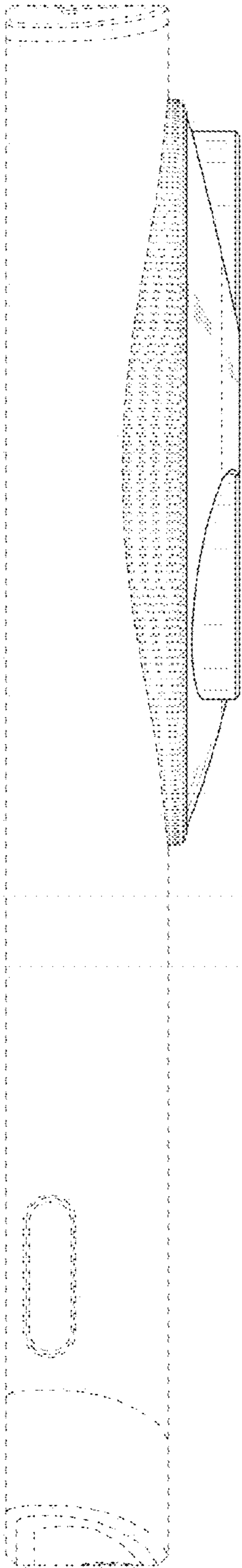


FIG.5

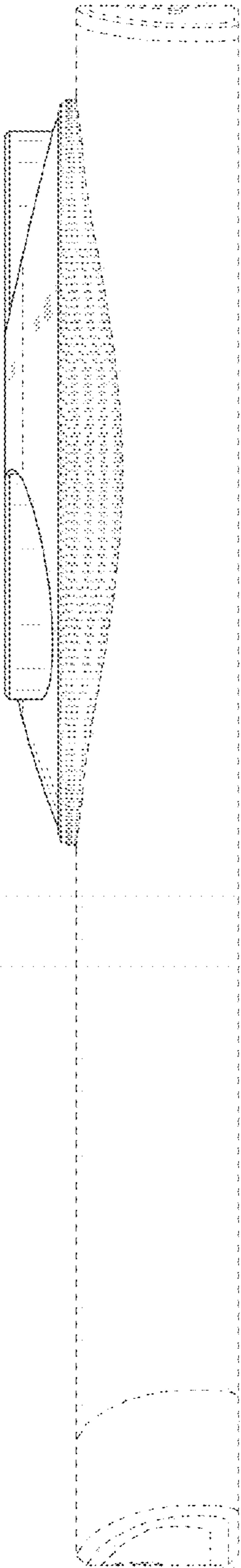


FIG.6

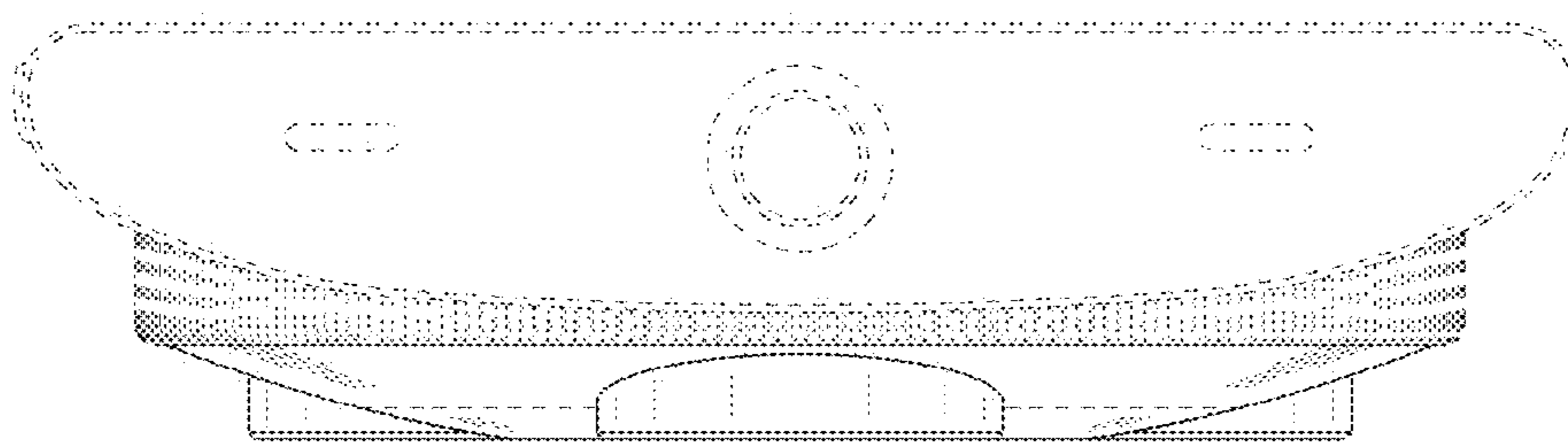


FIG.7

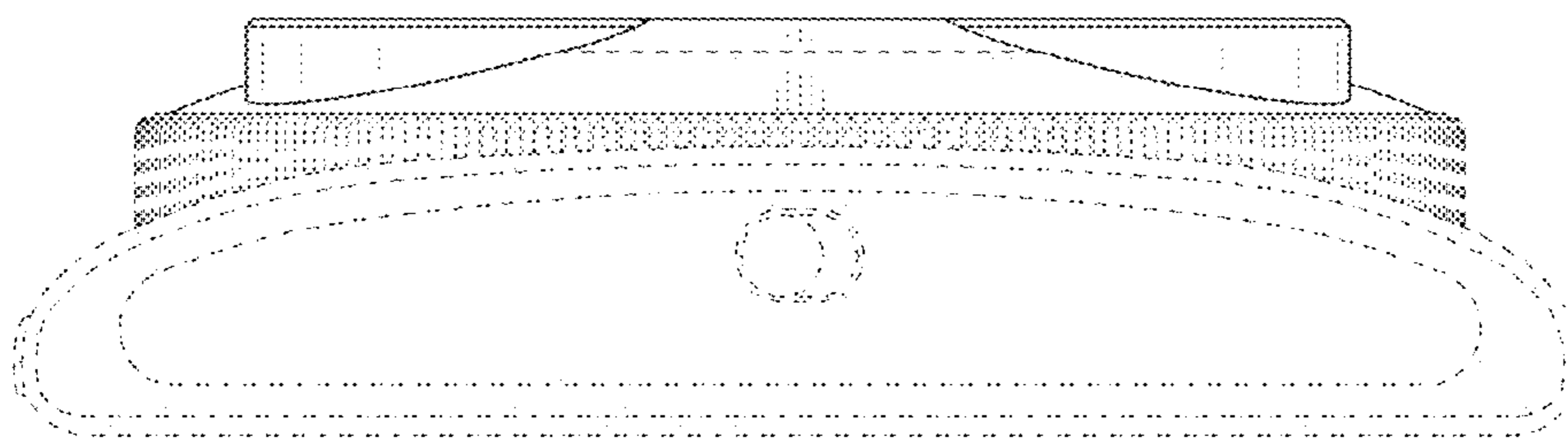


FIG.8

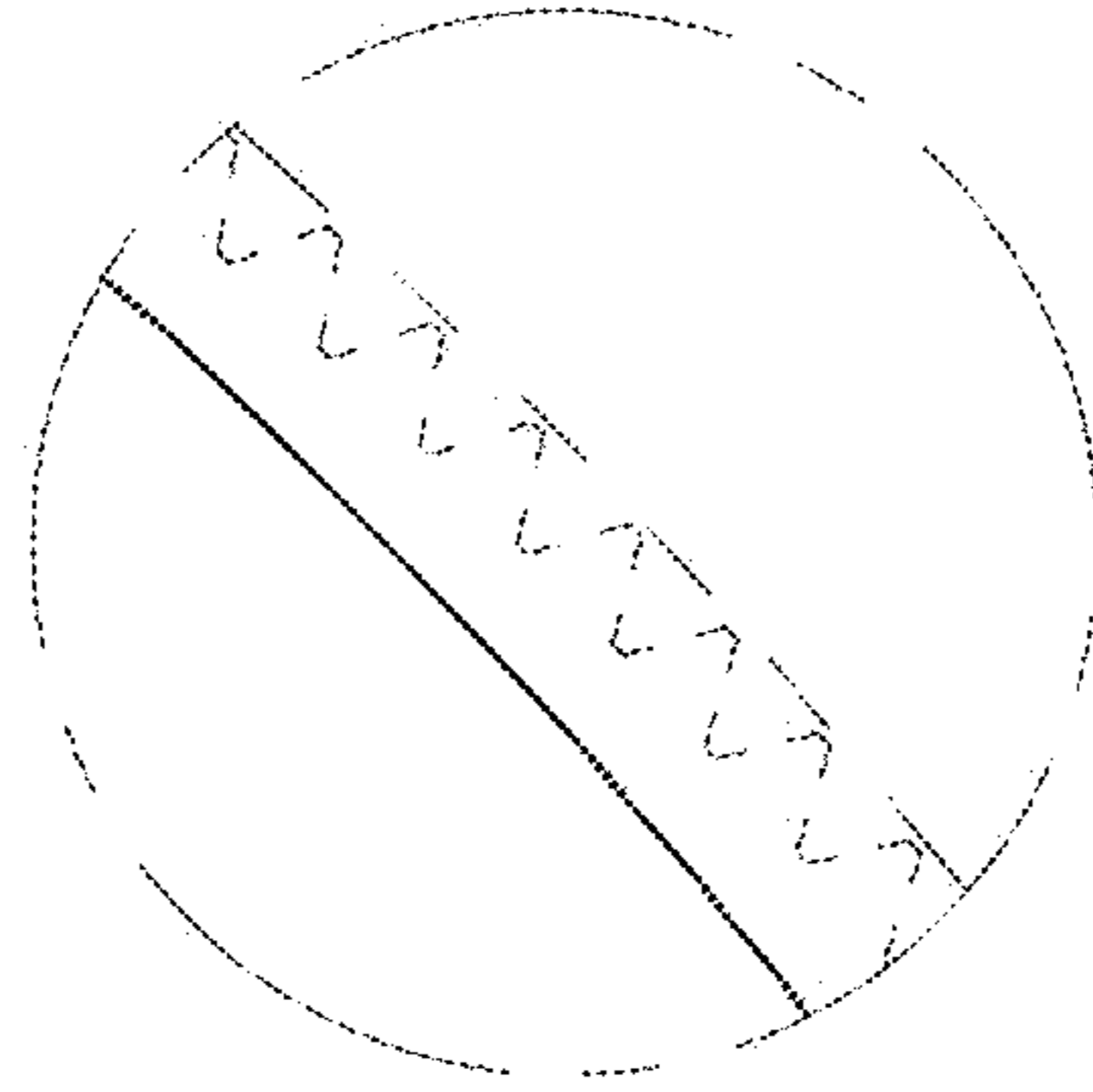


FIG.9

