



US00D726801S

(12) **United States Design Patent**
Kim

(10) **Patent No.:** **US D726,801 S**
(45) **Date of Patent:** **** Apr. 14, 2015**

(54) **CAMERA**

(71) Applicant: **Samsung Electronics Co., Ltd.**,
Suwon-si, Gyeonggi-do (KR)

(72) Inventor: **Joo-Hyung Kim**, Busan (KR)

(73) Assignee: **Samsung Electronics Co., Ltd.** (KR)

(**) Term: **14 Years**

(21) Appl. No.: **29/472,971**

(22) Filed: **Nov. 18, 2013**

(30) **Foreign Application Priority Data**

Jun. 17, 2013 (KR) 30-2013-0031103

(51) **LOC (10) Cl.** **16-05**

(52) **U.S. Cl.**
USPC **D16/219**

(58) **Field of Classification Search**
USPC D16/134, 136, 200, 202, 218, 219;
348/373, 374; 396/529-532, 535, 540,
396/541
See application file for complete search history.

(56) **References Cited**

U.S. PATENT DOCUMENTS

6,089,761 A * 7/2000 Sakurai 396/531
7,532,815 B2 * 5/2009 Miyake 396/529
7,567,290 B2 * 7/2009 Tokiwa et al. 396/532

D669,930 S * 10/2012 Koyama et al. D16/134
D682,910 S * 5/2013 Hasuda D16/219
D688,292 S * 8/2013 Koyama et al. D16/219
D689,109 S * 9/2013 Kim et al. D16/202
D692,475 S * 10/2013 Hasuda D16/219

* cited by examiner

Primary Examiner — Adir Aronovich

(74) *Attorney, Agent, or Firm* — Cantor Colburn LLP

(57) **CLAIM**

The ornamental design for a camera, as shown and described.

DESCRIPTION

FIG. 1 is a front perspective view of a camera showing my new design;

FIG. 2 is a front elevational view thereof;

FIG. 3 is a rear elevational view thereof;

FIG. 4 is a left-side elevation view thereof;

FIG. 5 is a right-side elevation view thereof;

FIG. 6 is a top plan view thereof;

FIG. 7 is a bottom plan view thereof; and,

FIG. 8 is front perspective showing the camera with another removable camera with a built in image sensor.

The broken lines illustrating portions of the camera are for environmental purposes only and form no part of the claimed design.

The shade lines in the figures show contour and not surface ornamentation.

1 Claim, 4 Drawing Sheets

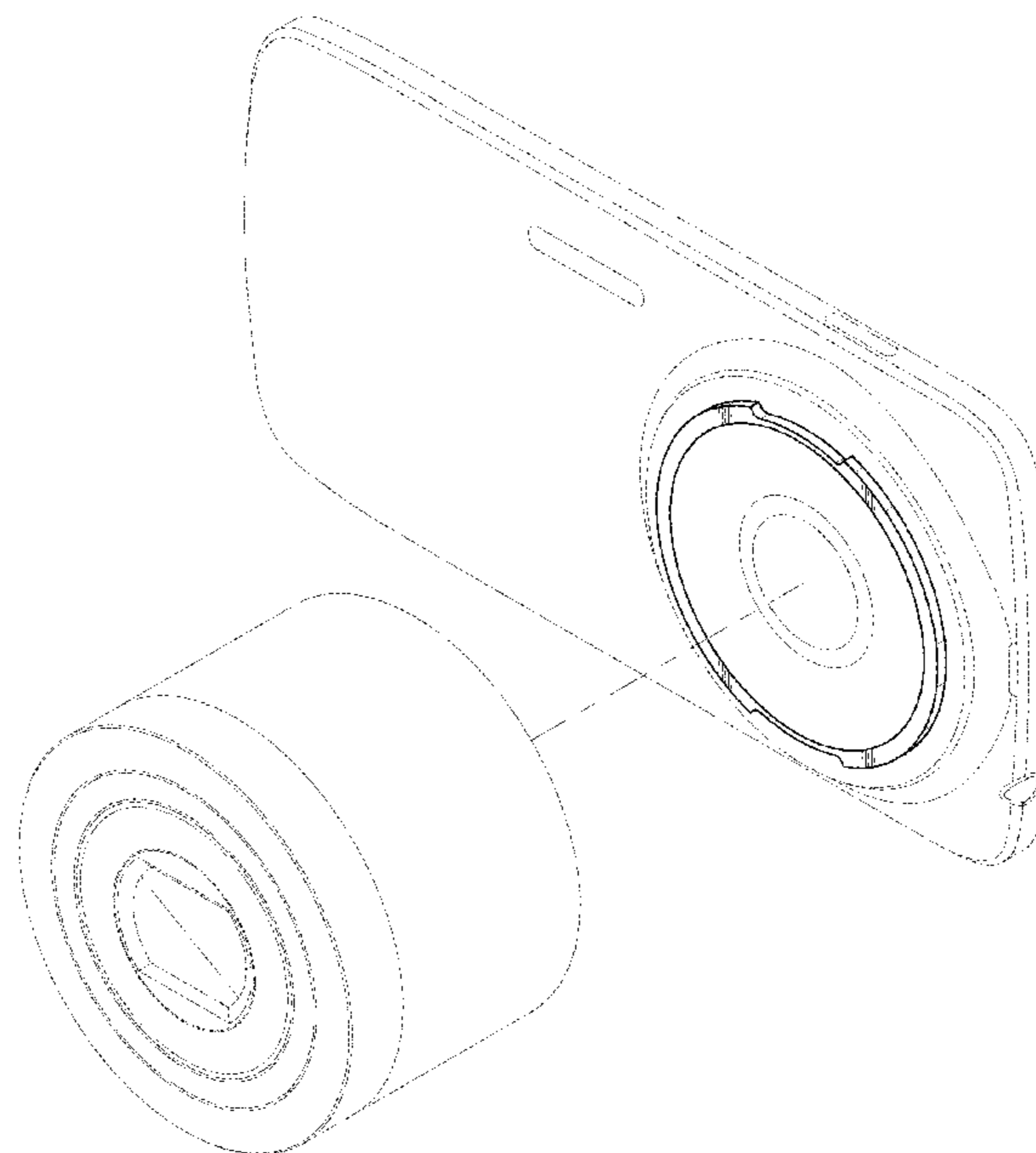
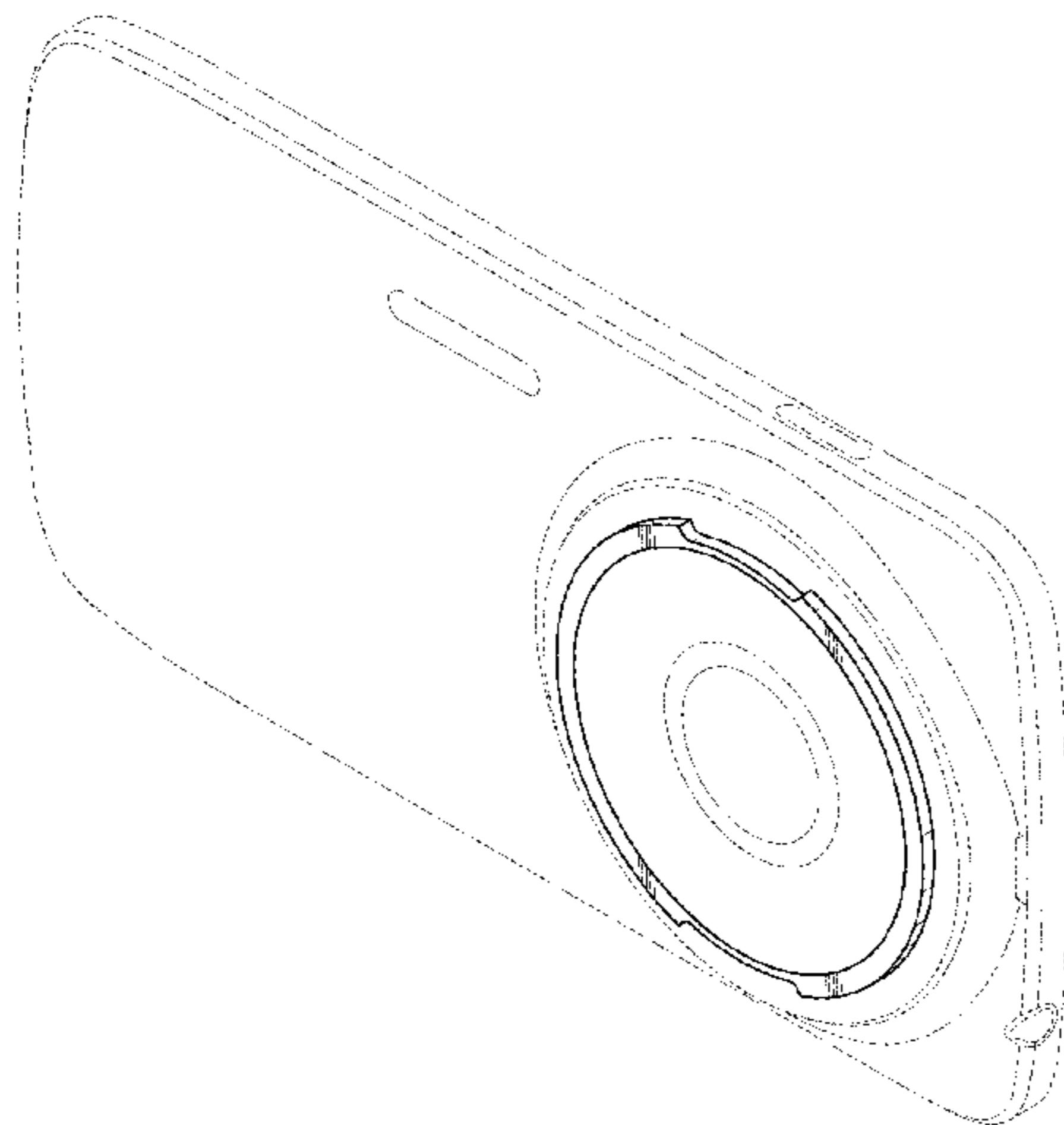


FIG.1

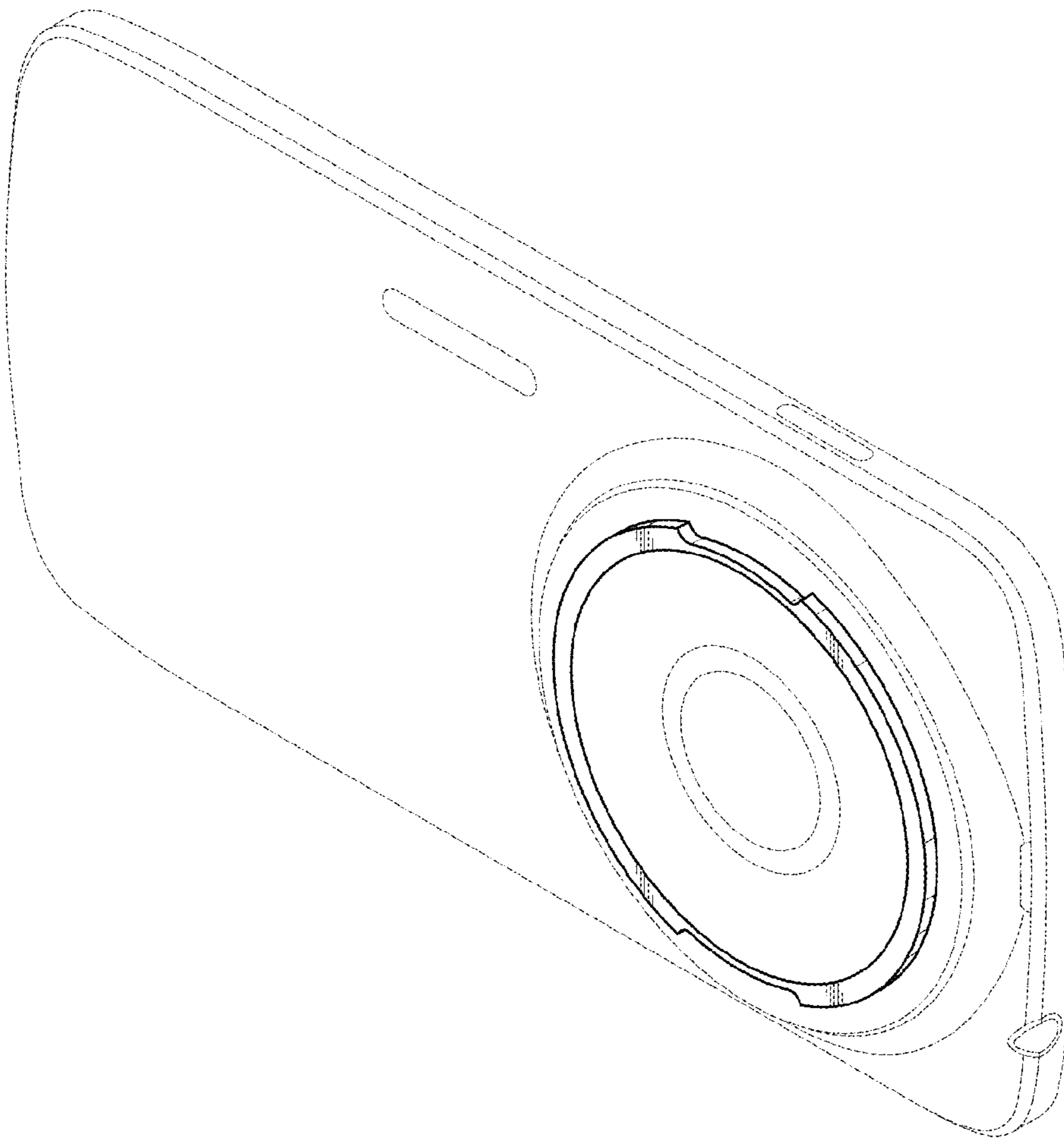


FIG.2

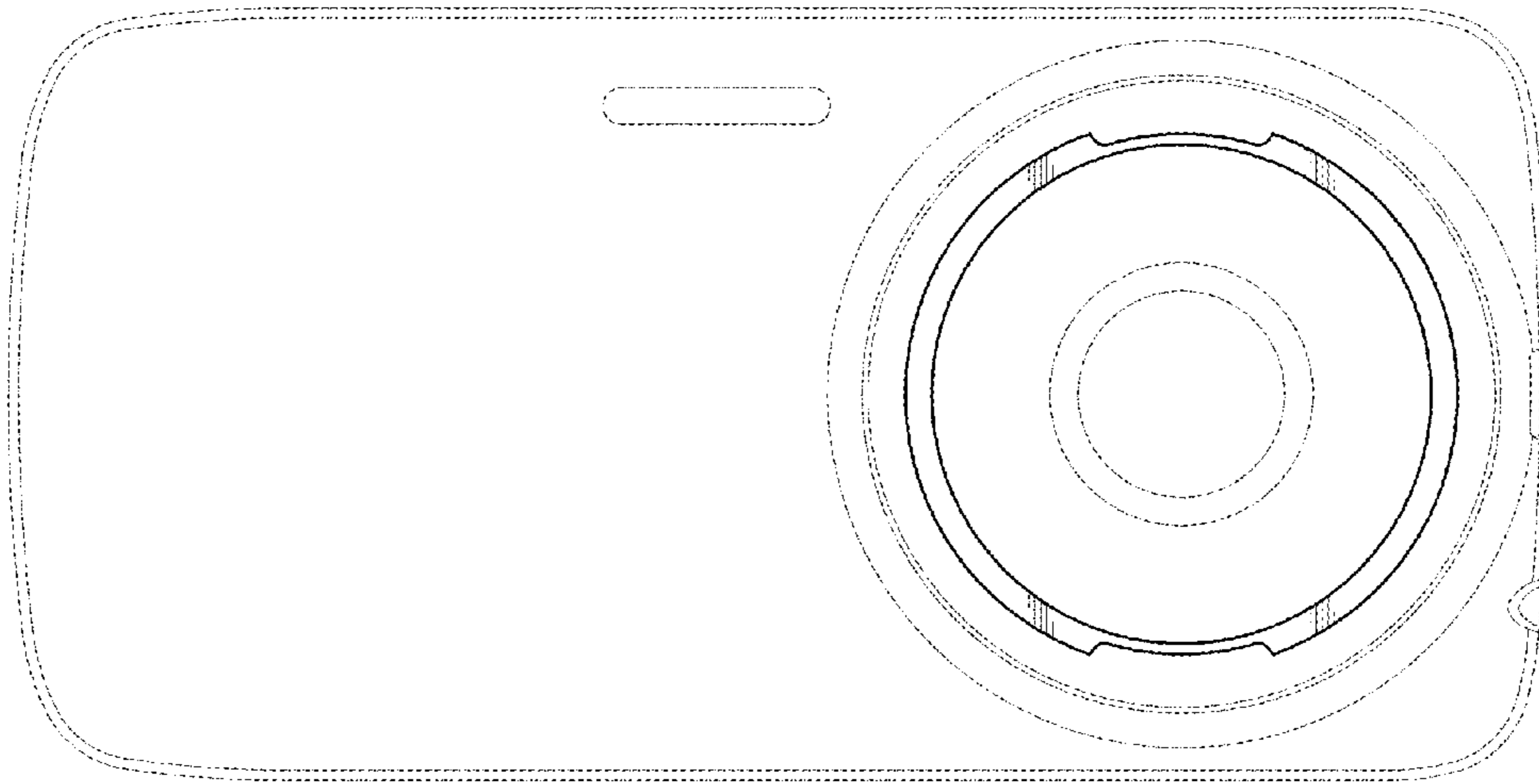


FIG.3

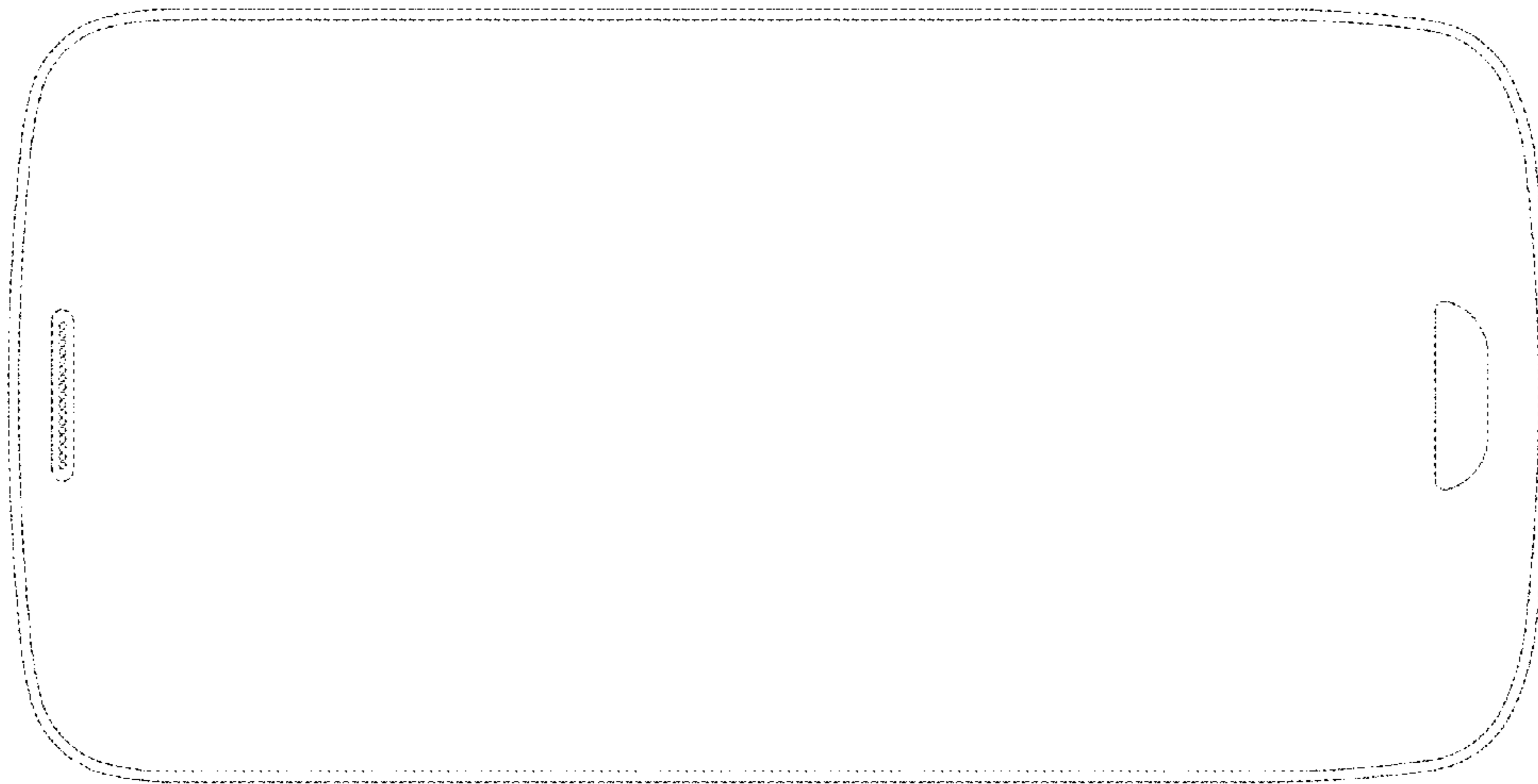


FIG.4



FIG.5



FIG.6

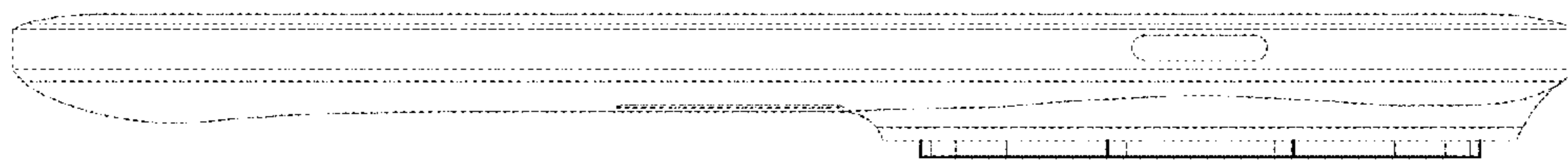


FIG.7

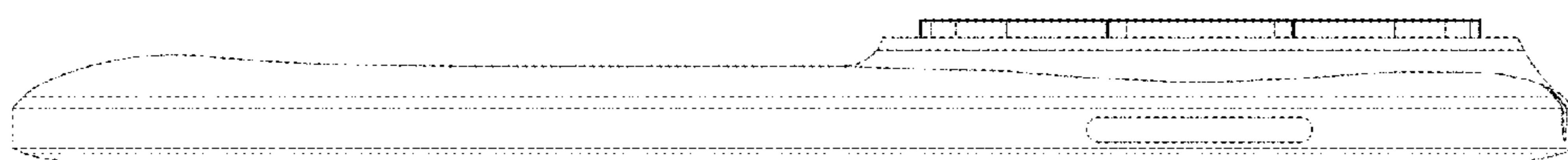


FIG.8

