



US00D726800S

(12) **United States Design Patent**  
**Dahlqvist et al.**

(10) **Patent No.:** **US D726,800 S**  
(45) **Date of Patent:** **\*\* Apr. 14, 2015**

(54) **SURVEILLANCE CAMERA**  
(75) Inventors: **Christian Dahlqvist**, Loberod (SE);  
**Christian Gustafsson**, Ystad (SE);  
**Henrik Persson**, Lund (SE); **Jan Ryzak**,  
Malmo (SE)  
(73) Assignee: **Axis AB**, Lund (SE)  
(\*\*) Term: **14 Years**  
(21) Appl. No.: **29/432,104**

D639,842 S \* 6/2011 Zeinoun et al. .... D16/203  
8,066,438 B2 \* 11/2011 Takahashi ..... 396/427  
D650,410 S \* 12/2011 Helaoui et al. .... D16/203  
8,469,612 B2 \* 6/2013 Mukai ..... 396/427  
D688,720 S \* 8/2013 Yilin ..... D16/203  
8,648,963 B2 \* 2/2014 Oh et al. .... 348/375  
8,669,852 B2 \* 3/2014 Neufeglise et al. .... 340/384.1  
8,764,318 B2 \* 7/2014 Wada et al. .... 396/427  
2009/0175612 A1 \* 7/2009 Wen ..... 396/155  
2010/0259613 A1 \* 10/2010 Lee ..... 348/143  
2011/0102666 A1 \* 5/2011 Neufeglise et al. .... 348/373  
2011/0158637 A1 \* 6/2011 Jung et al. .... 396/535  
2013/0169805 A1 \* 7/2013 Park ..... 348/143  
2013/0223833 A1 \* 8/2013 Tenenbaum et al. .... 396/419

(22) Filed: **Sep. 13, 2012**

**FOREIGN PATENT DOCUMENTS**

(30) **Foreign Application Priority Data**  
Mar. 14, 2012 (EM) ..... 001317895-0001  
Mar. 14, 2012 (EM) ..... 001317895-0002  
Mar. 14, 2012 (EM) ..... 001317895-0003

TW M254843 1/2005  
TW M308588 3/2007  
TW M381234 5/2010

\* cited by examiner

(51) **LOC (10) Cl.** ..... **16-05**  
(52) **U.S. Cl.**  
USPC ..... **D16/219**; D16/203

*Primary Examiner* — Adir Aronovich  
*Assistant Examiner* — Ramzi Almatrahi  
(74) *Attorney, Agent, or Firm* — Volpe and Koenig, P.C.

(58) **Field of Classification Search**  
CPC ..... G03B 17/02; G03B 19/04; G03B 17/56;  
G03B 17/04; G03B 15/03; H04N 5/2251;  
H04N 5/2252; H04N 5/2253; H04N 5/2254;  
H04N 7/181; H04N 7/183; H04N 7/18;  
G08B 13/1963; G08B 13/19619; G08B  
13/19632; F16M 11/04; F16M 13/00  
USPC ..... D16/200, 202–206, 218, 219, 242;  
D10/104.1; 348/143, 148, 151,  
348/373–376; 396/419, 427, 535, 539–541  
See application file for complete search history.

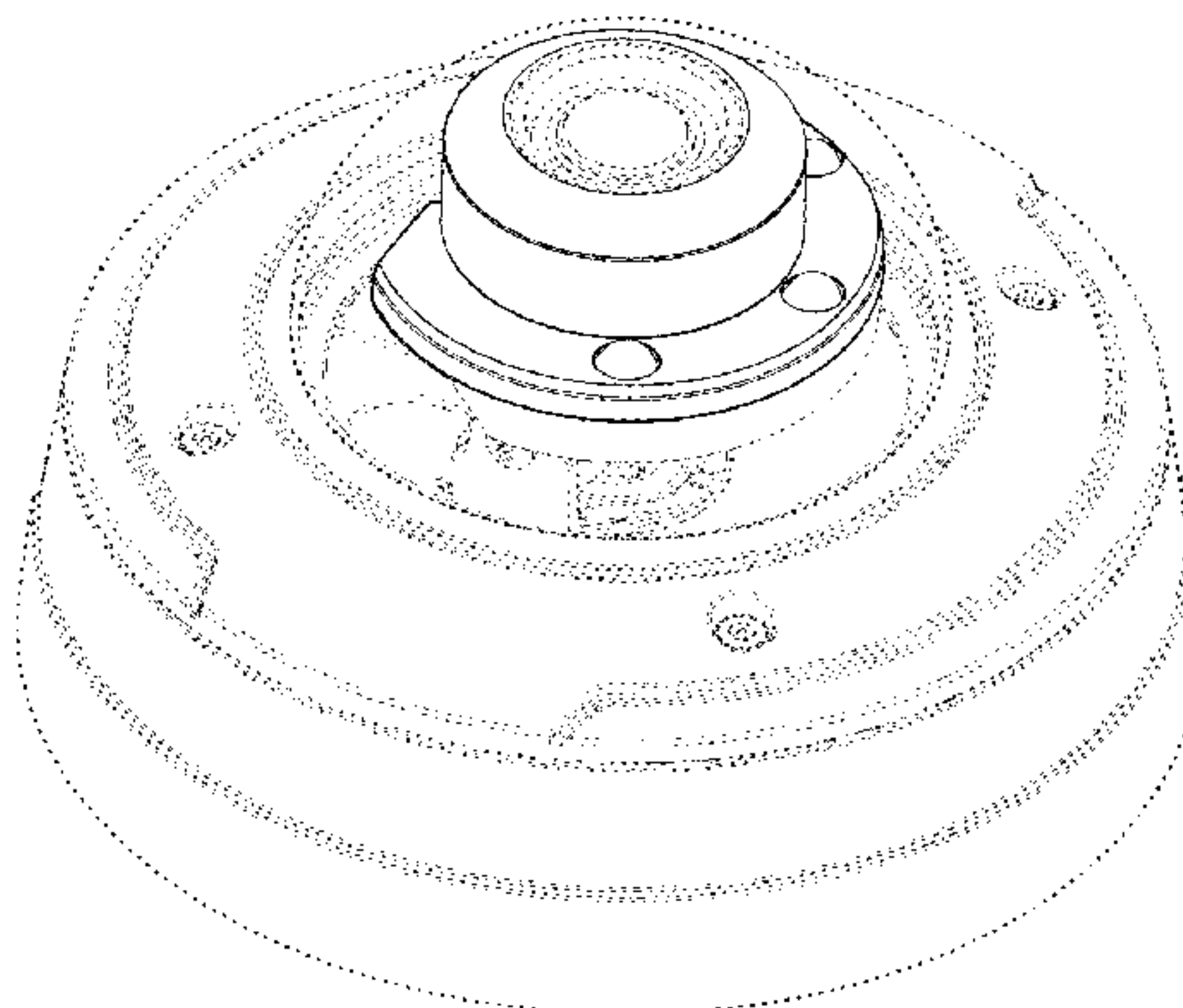
(57) **CLAIM**  
The ornamental design for a surveillance camera, as shown  
and described.

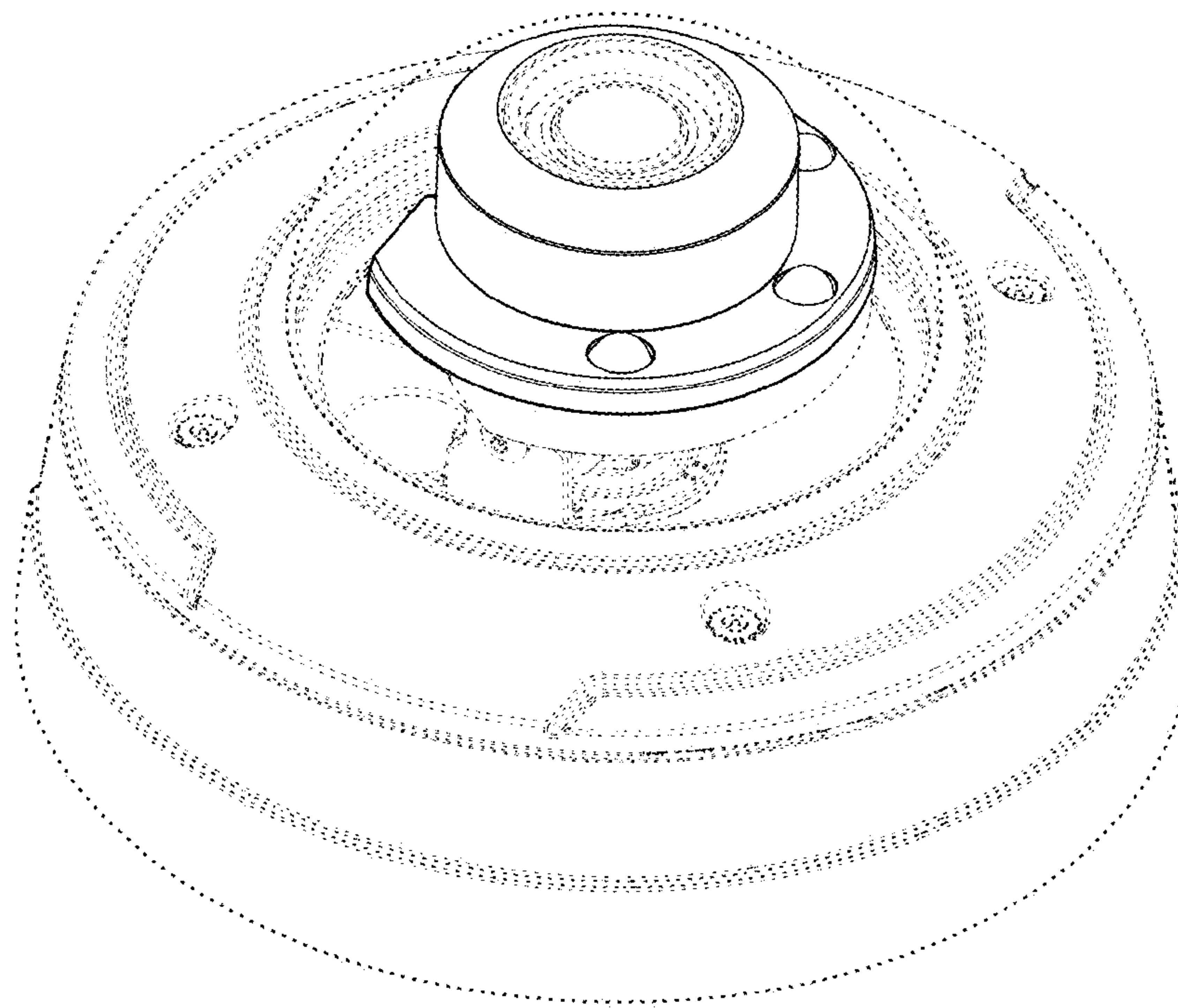
**DESCRIPTION**

FIG. 1 is a top, front, right perspective view of a surveillance  
camera in accordance with our design;  
FIG. 2 is a top plan view thereof;  
FIG. 3 is a right side elevational view thereof;  
FIG. 4 is a rear elevational view thereof;  
FIG. 5 is a front elevational view thereof;  
FIG. 6 is a left side elevational view thereof; and,  
FIG. 7 is a bottom plan view thereof.  
The broken lines depict portions of a surveillance camera in  
which the design is embodied and form no part of the claimed  
design.

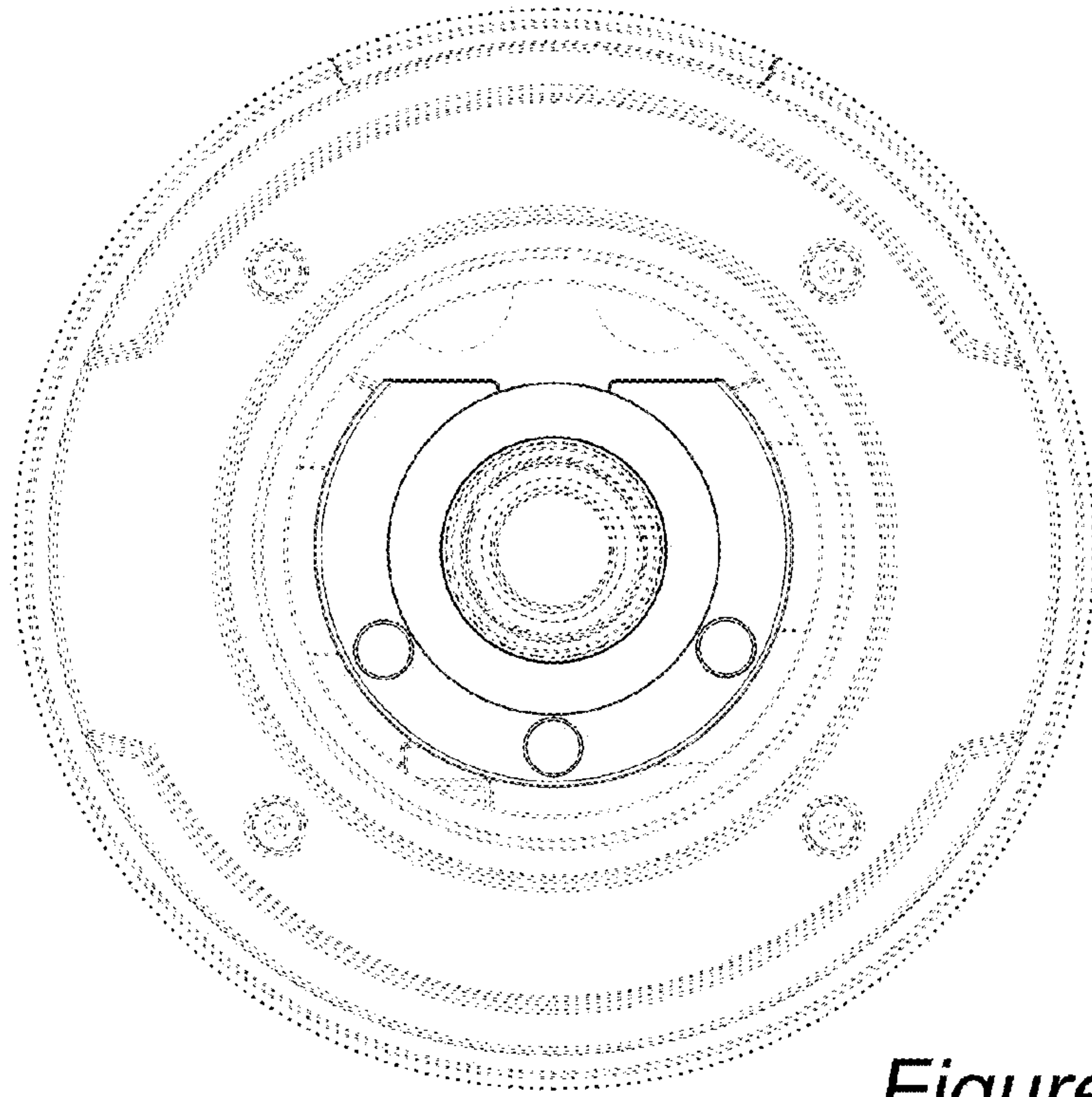
(56) **References Cited**  
U.S. PATENT DOCUMENTS  
D550,738 S 9/2007 Hsia  
D552,501 S \* 10/2007 Lin et al. .... D10/104.1  
D610,183 S \* 2/2010 Nohavec et al. .... D16/203  
D628,225 S \* 11/2010 Deurwarder ..... D16/203  
D636,805 S \* 4/2011 Anneback et al. .... D16/203

**1 Claim, 4 Drawing Sheets**

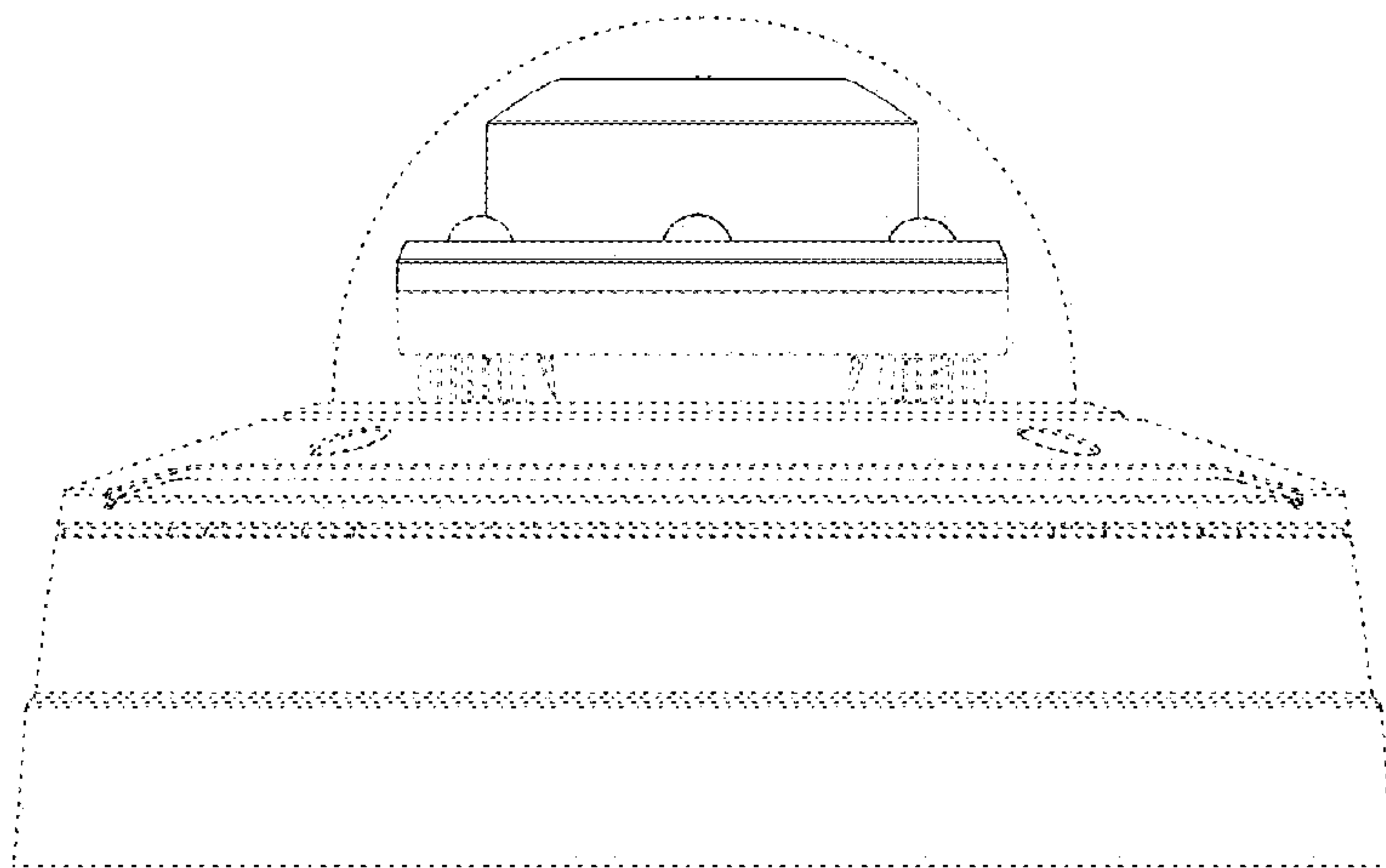




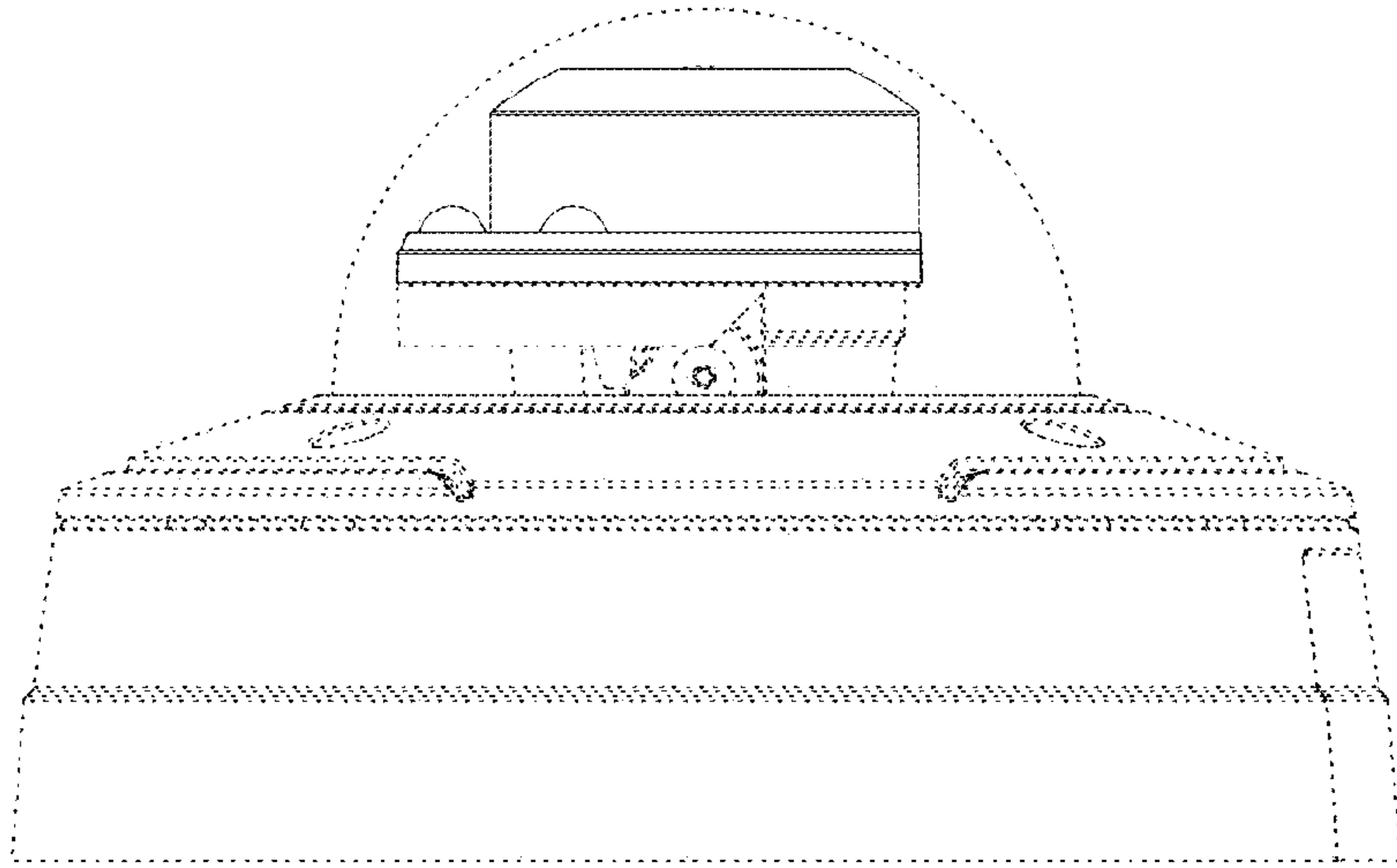
*Figure 1*



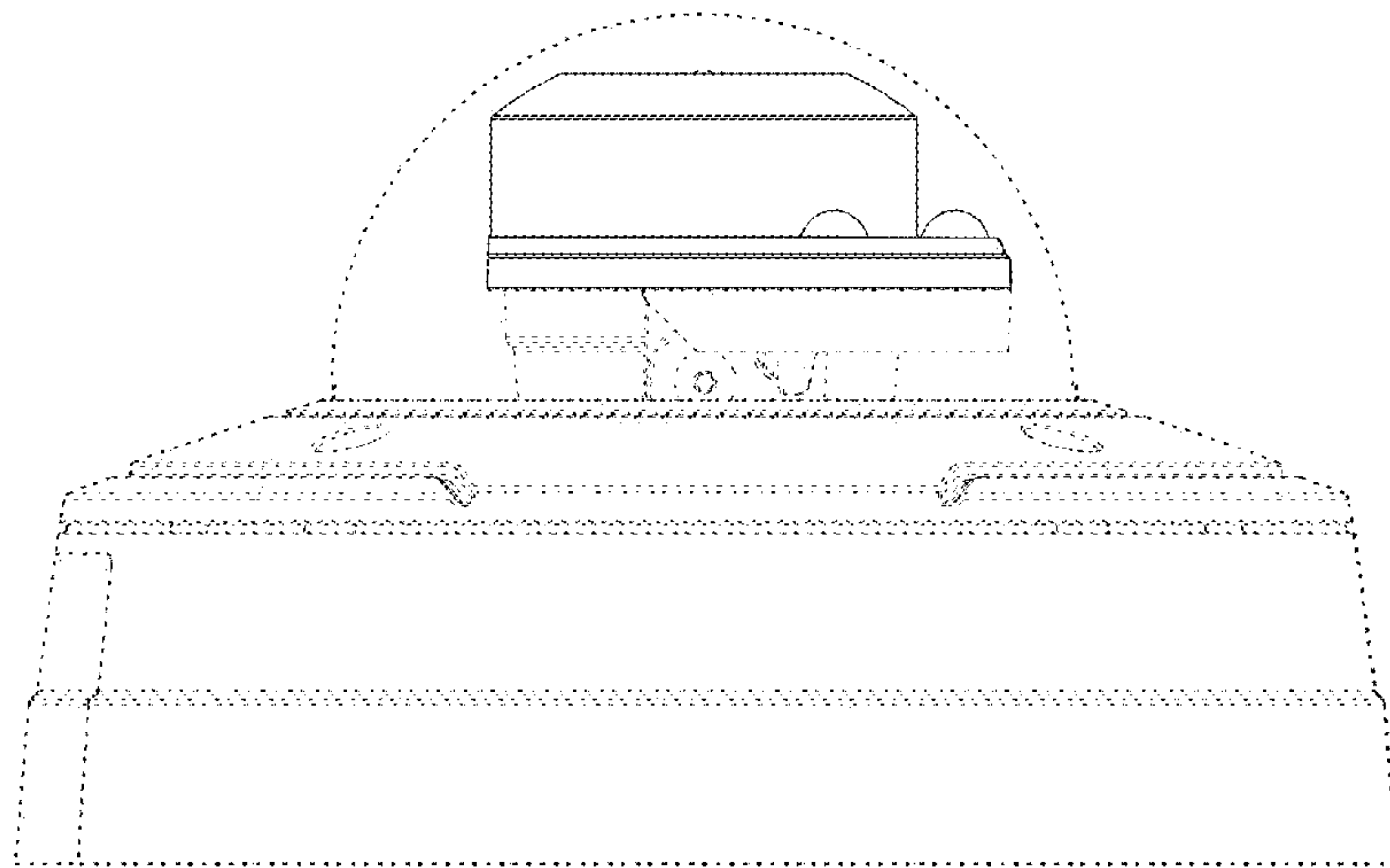
*Figure 2*



*Figure 3*

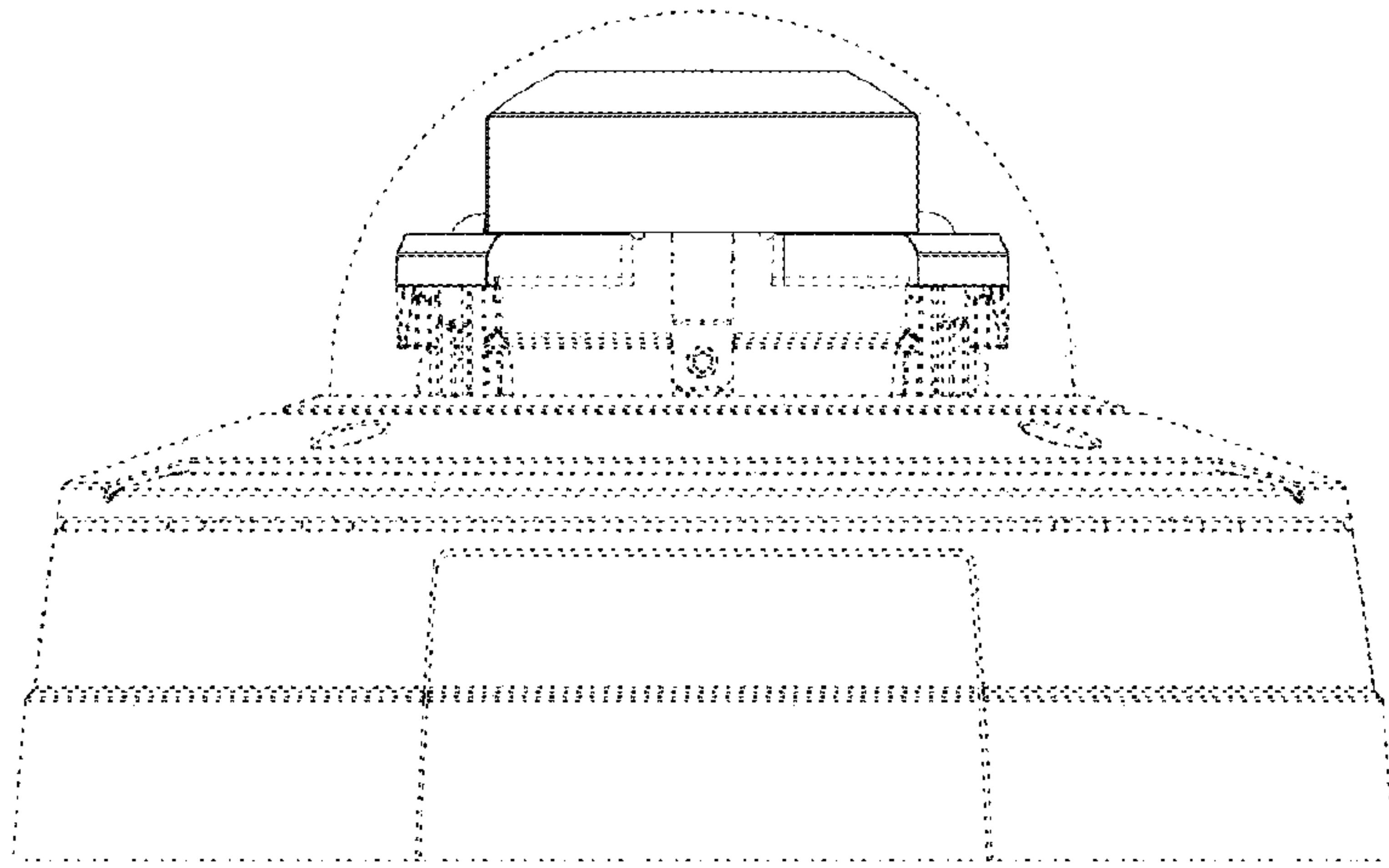


*Figure 4*

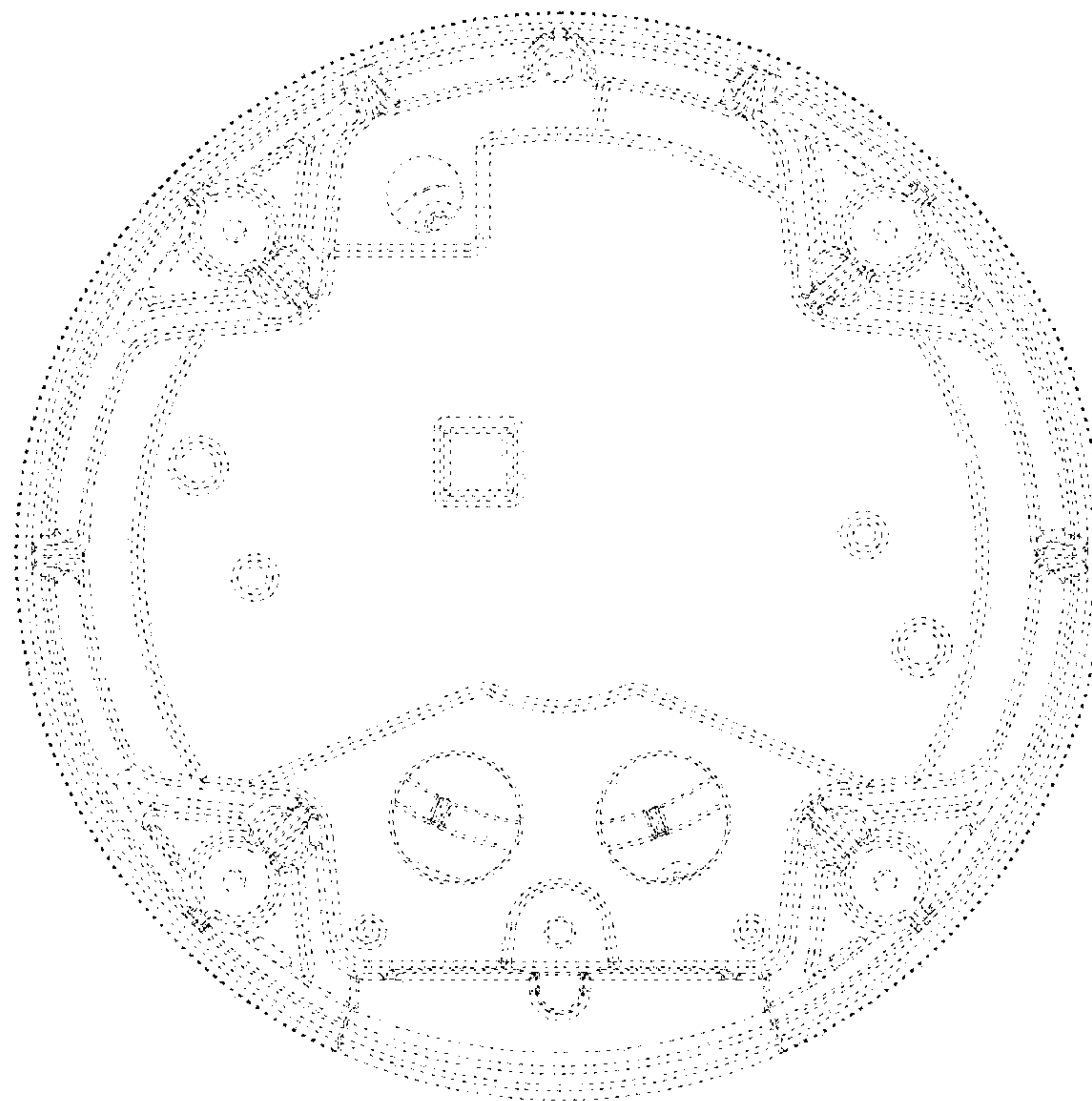


*Figure 5*





*Figure 6*



*Figure 7*