



US00D726799S

(12) **United States Design Patent**
Neufeld et al.

(10) **Patent No.:** **US D726,799 S**
(45) **Date of Patent:** **** Apr. 14, 2015**

(54) **MINIATURE DOME CAMERA**

(71) Applicant: **Avigilon Corporation**, Vancouver (CA)

(72) Inventors: **Michael Neufeld**, Vancouver (CA);
Sudeep Mohan, Surrey (CA)

(73) Assignee: **Avigilon Corporation**, Vancouver, BC
(CA)

(**) Term: **14 Years**

(21) Appl. No.: **29/470,181**

(22) Filed: **Oct. 17, 2013**

Related U.S. Application Data

(63) Continuation-in-part of application No. 13/874,279,
filed on Apr. 30, 2013.

(51) **LOC (10) Cl.** **16-01**

(52) **U.S. Cl.**
USPC **D16/203; D16/208**

(58) **Field of Classification Search**

CPC G03B 17/02; G03B 19/04; G03B 17/56;
G03B 17/04; G03B 15/03; H04N 5/2251;
H04N 5/2252; H04N 5/2253; H04N 5/2254;
H04N 7/181; H04N 7/183; H04N 7/18;
G08B 13/1963; G08B 13/19619; G08B
13/19632; F16M 11/04; F16M 13/00
USPC D16/200, 202–208, 218, 219, 242;
348/143, 148, 151, 373–376; 396/419,
396/427, 535, 539–541

See application file for complete search history.

(56) **References Cited**

U.S. PATENT DOCUMENTS

4,746,990 A 5/1988 Katoh et al.
6,392,698 B1 5/2002 Yokoyama
D467,952 S * 12/2002 Nakamura D16/202

(Continued)

FOREIGN PATENT DOCUMENTS

JP 2005-157681 A 6/2005
WO PCT/CA2013/050334 4/2013

OTHER PUBLICATIONS

International Search Report and Written Opinion dated Nov. 18,
2013, issued by the Canadian Intellectual Property Office in corre-
sponding International Patent Application No. PCT/CA2013/
050334, filed Apr. 30, 2013. This application has not yet published.

(Continued)

Primary Examiner — Adir Aronovich

Assistant Examiner — Ramzi Almatrahi

(74) *Attorney, Agent, or Firm* — Klarquist Sparkman, LLP

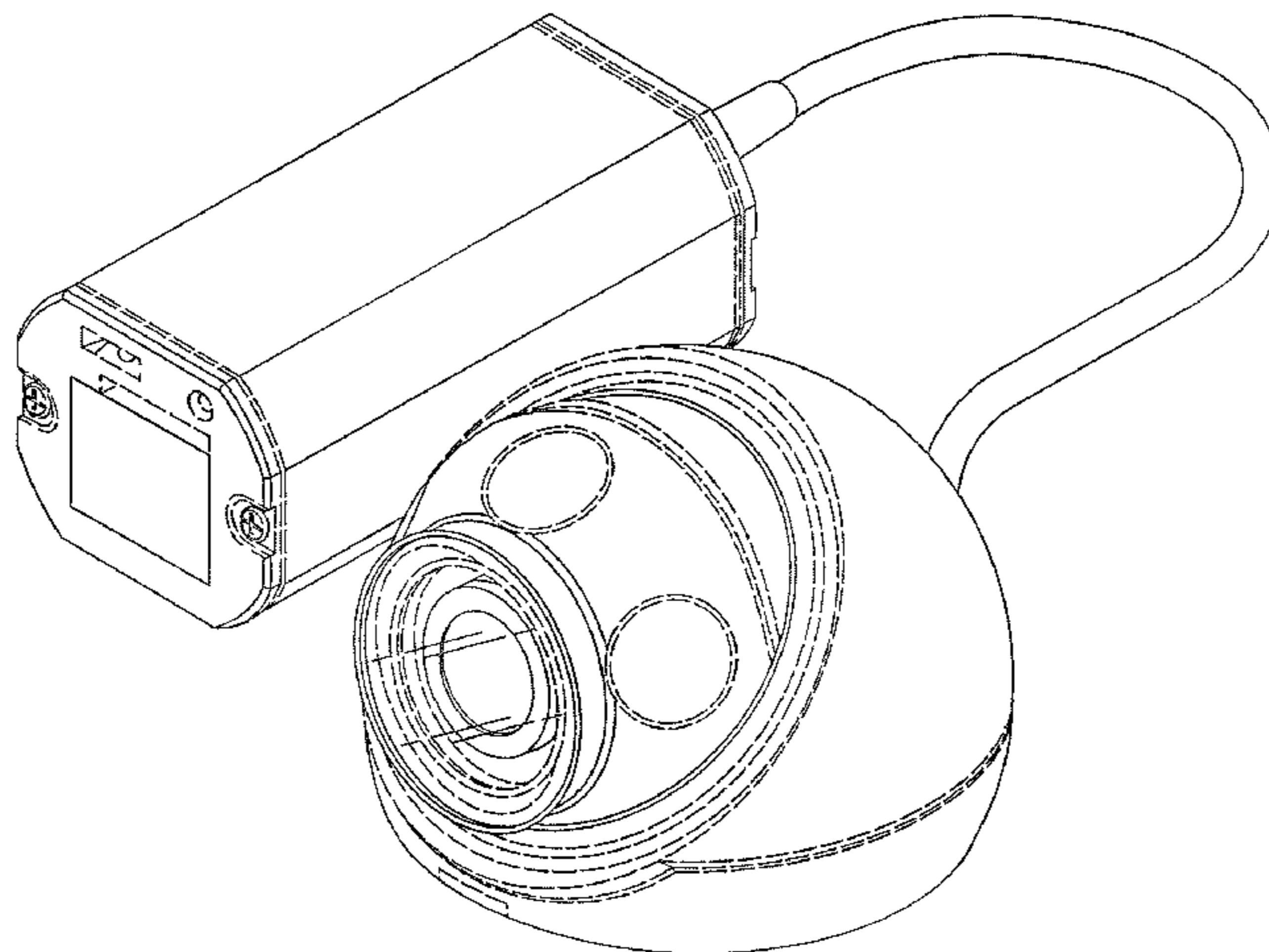
(57) **CLAIM**

The ornamental design for a miniature dome camera, as
shown and described.

DESCRIPTION

FIG. 1 is a perspective view of a miniature dome camera;
FIG. 2 is a front elevation view of the dome camera of FIG. 1;
FIG. 3 is a rear elevation view of the dome camera of FIG. 1;
FIG. 4 is a right side elevation view of the dome camera of
FIG. 1;
FIG. 5 is a left side elevation view of the dome camera of FIG.
1;
FIG. 6 is a top plan view of the dome camera of FIG. 1; and,
FIG. 7 is a bottom plan view of the dome camera of FIG. 1.
The dashed lines in the drawings represent portions of the
miniature dome camera that do not form part of the claimed
design.

1 Claim, 4 Drawing Sheets



(56)

References Cited

U.S. PATENT DOCUMENTS

D516,105 S * 2/2006 Bradley et al. D16/202
 D536,011 S * 1/2007 Dayan D16/208
 D540,360 S * 4/2007 Yamakawa D16/203
 D547,347 S * 7/2007 Kim D16/203
 D552,649 S * 10/2007 Logan et al. D16/202
 D554,682 S * 11/2007 Martinez et al. D16/203
 7,425,101 B2 * 9/2008 Cheng 396/427
 D614,222 S * 4/2010 Yamakawa D16/203
 D628,223 S * 11/2010 Kao et al. D16/202
 D633,543 S * 3/2011 Park D16/203
 D648,766 S * 11/2011 Chen D16/202
 D690,344 S * 9/2013 Hollinger D16/200
 D700,232 S * 2/2014 Ramsay et al. D16/218

D705,844 S * 5/2014 Bart et al. D16/203
 8,764,318 B2 * 7/2014 Wada et al. 396/427
 2008/0056709 A1 * 3/2008 Huang 396/427
 2008/0136915 A1 6/2008 Iwamura
 2011/0064403 A1 * 3/2011 Nakano et al. 396/535
 2011/0123189 A1 * 5/2011 Saito 396/535
 2013/0287385 A1 * 10/2013 Andersson 396/427

OTHER PUBLICATIONS

Axis Communications, "Axis P12 Network Camera Series", data sheet; 4 pages.
 Mobotix Corp., S14 FlexMount Camera, instruction manual; 36 pages.

* cited by examiner

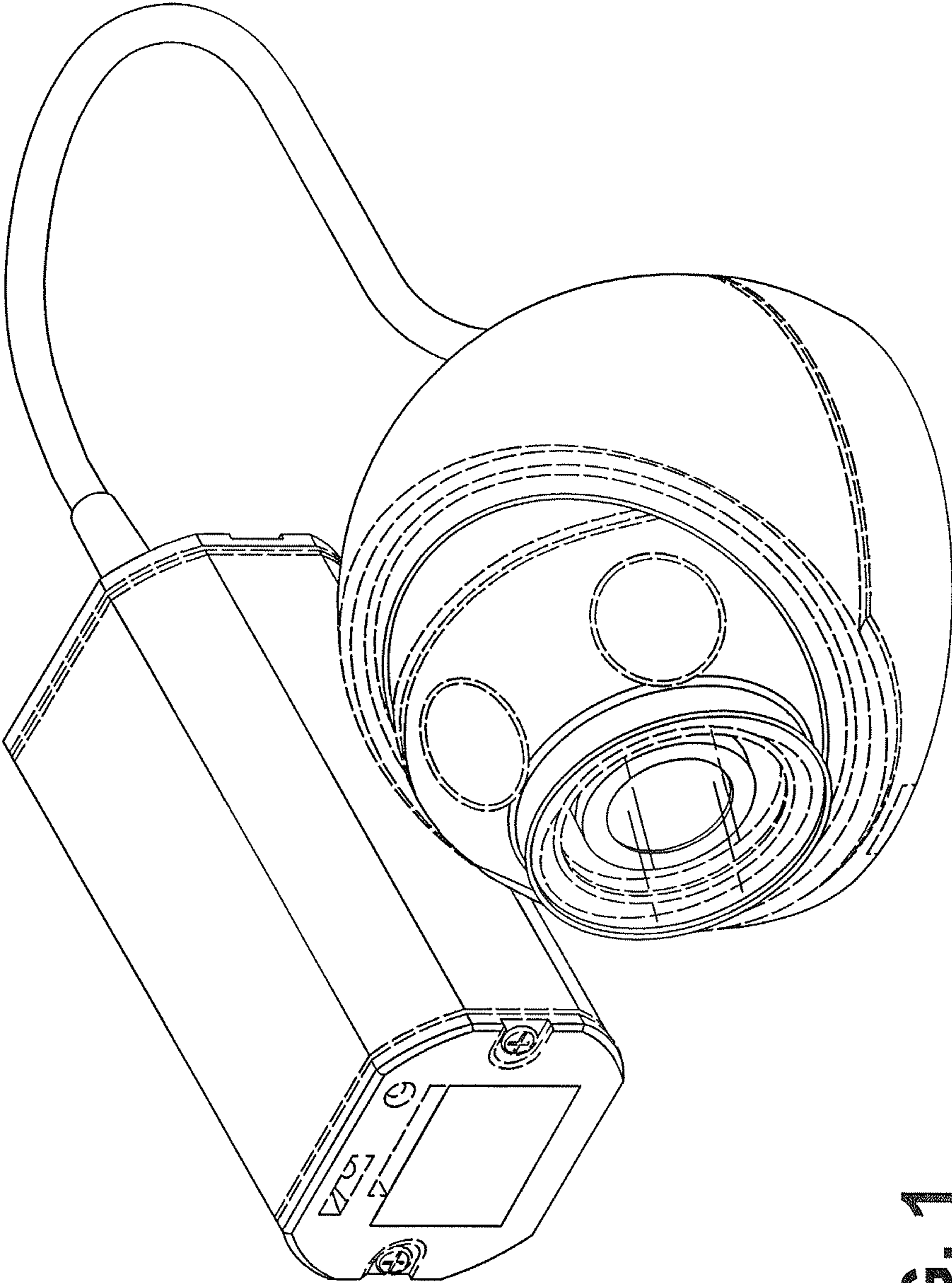


FIG. 1

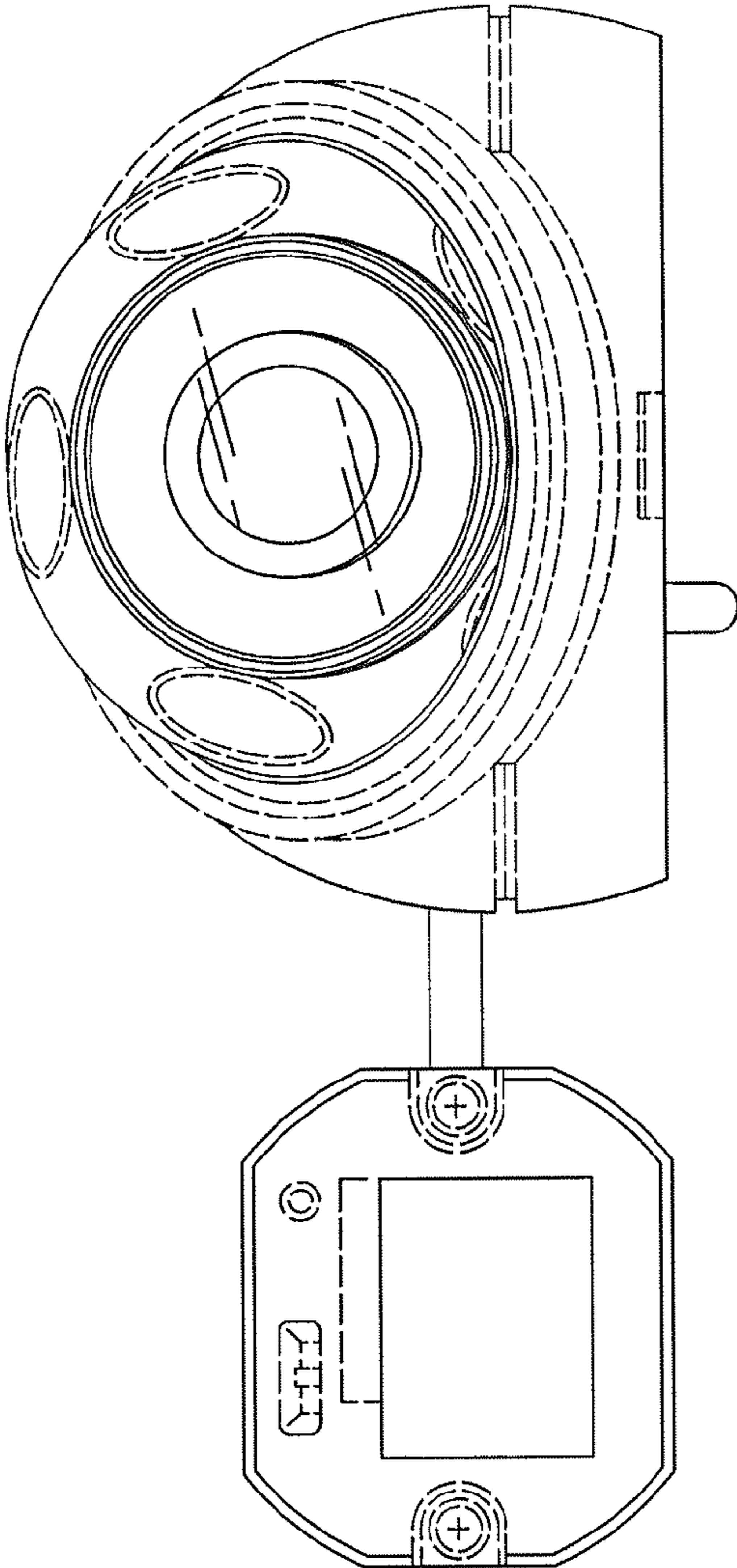


FIG. 2

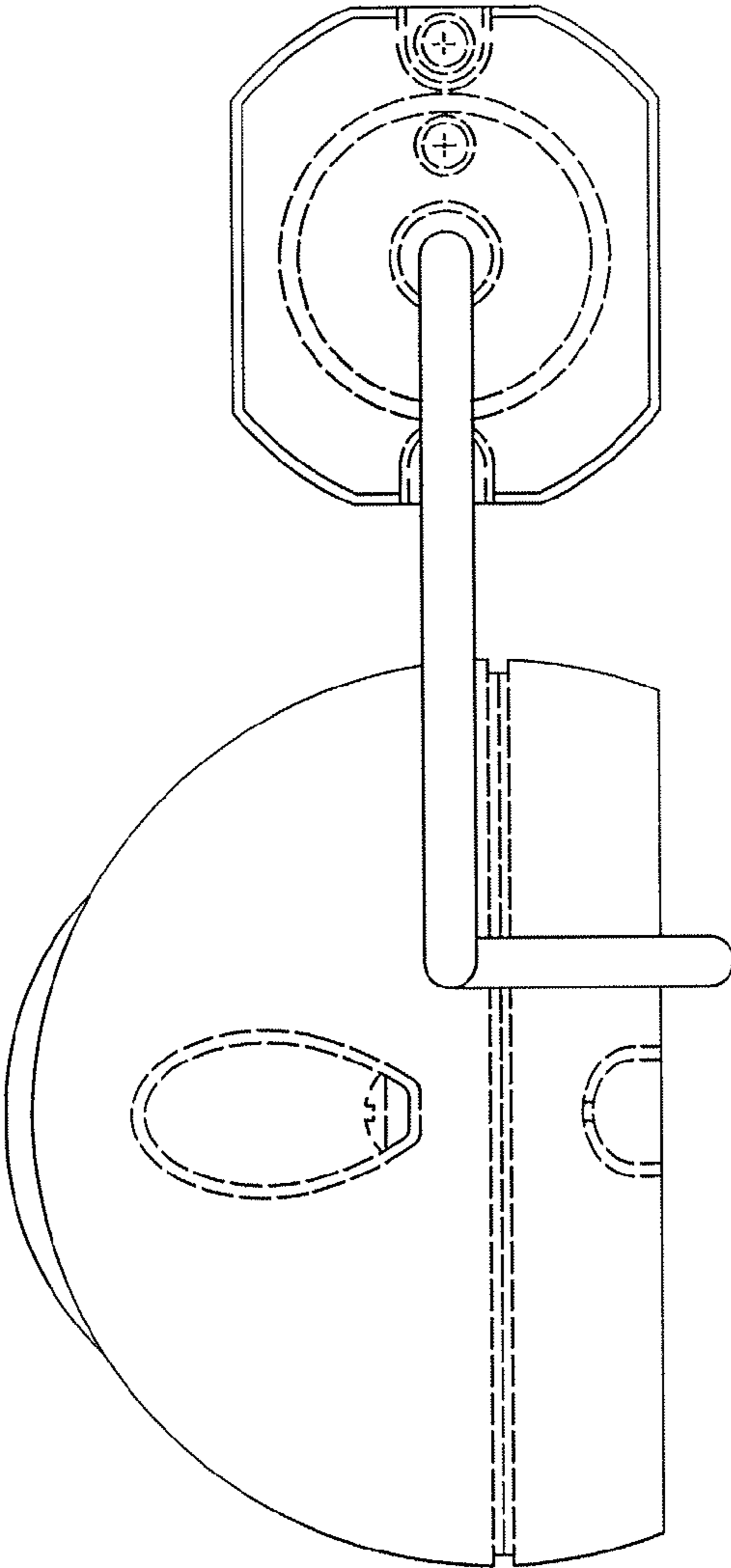


FIG. 3

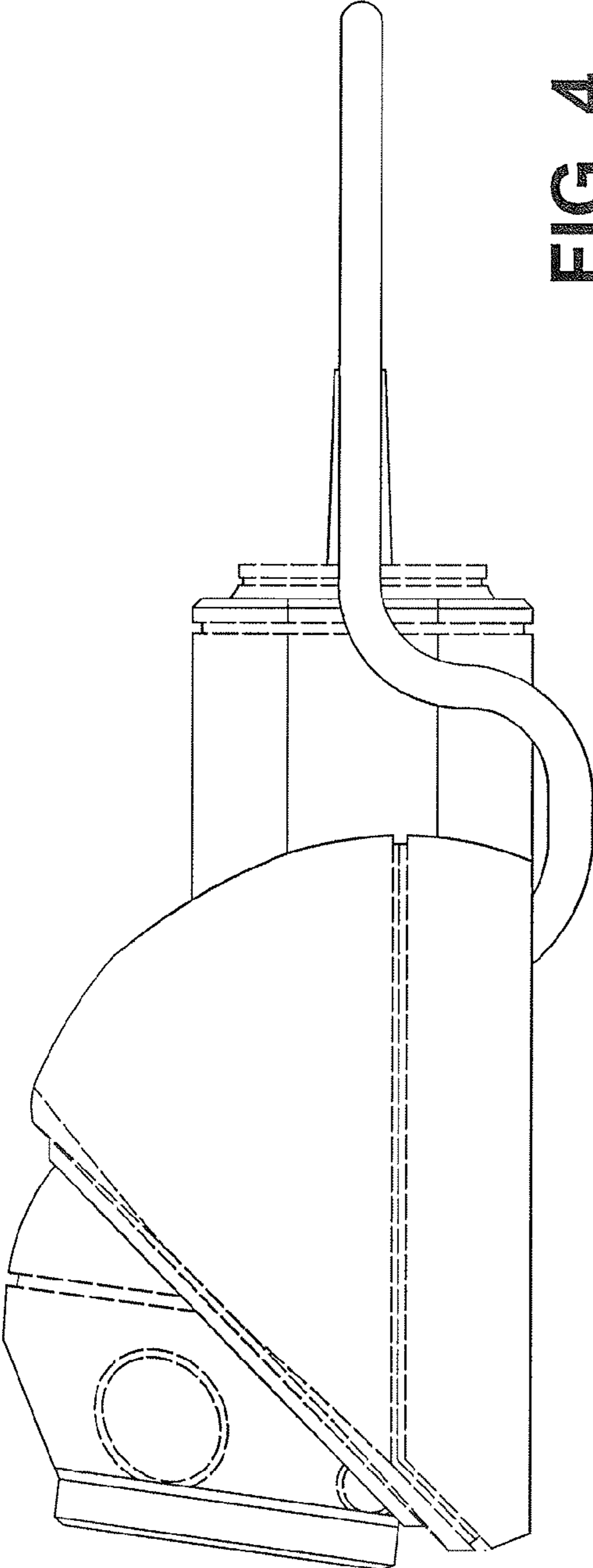


FIG. 4

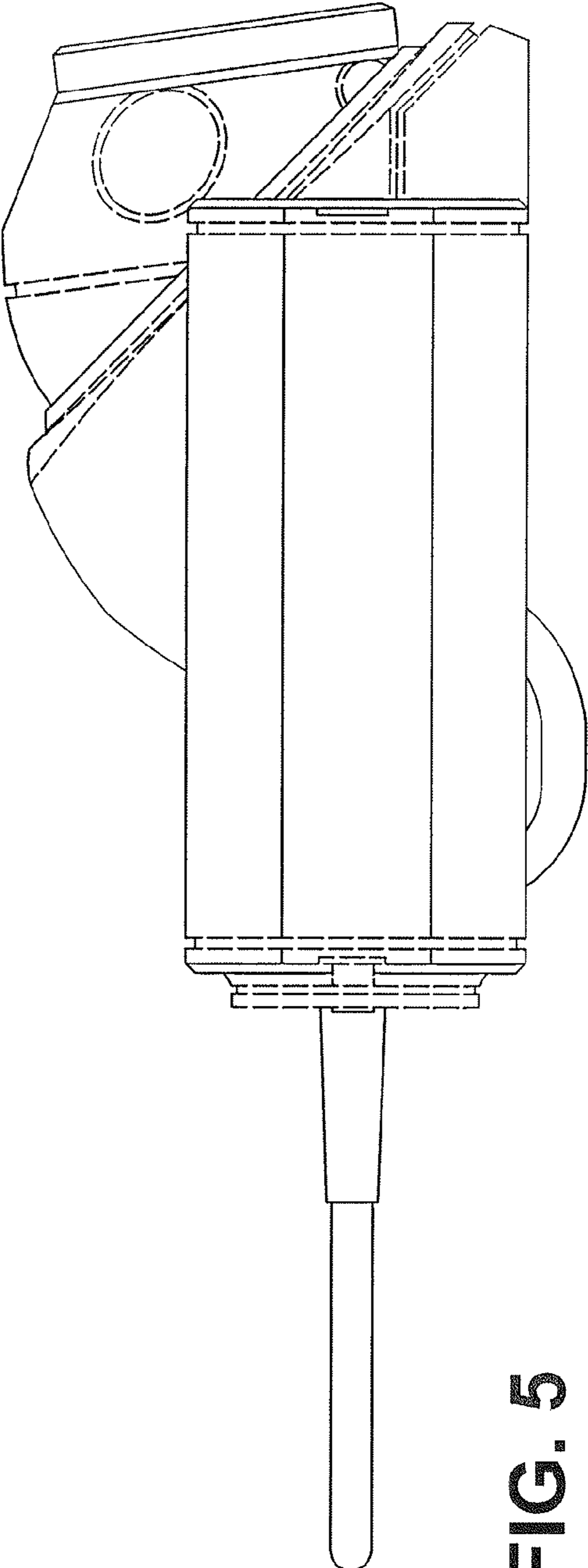


FIG. 5

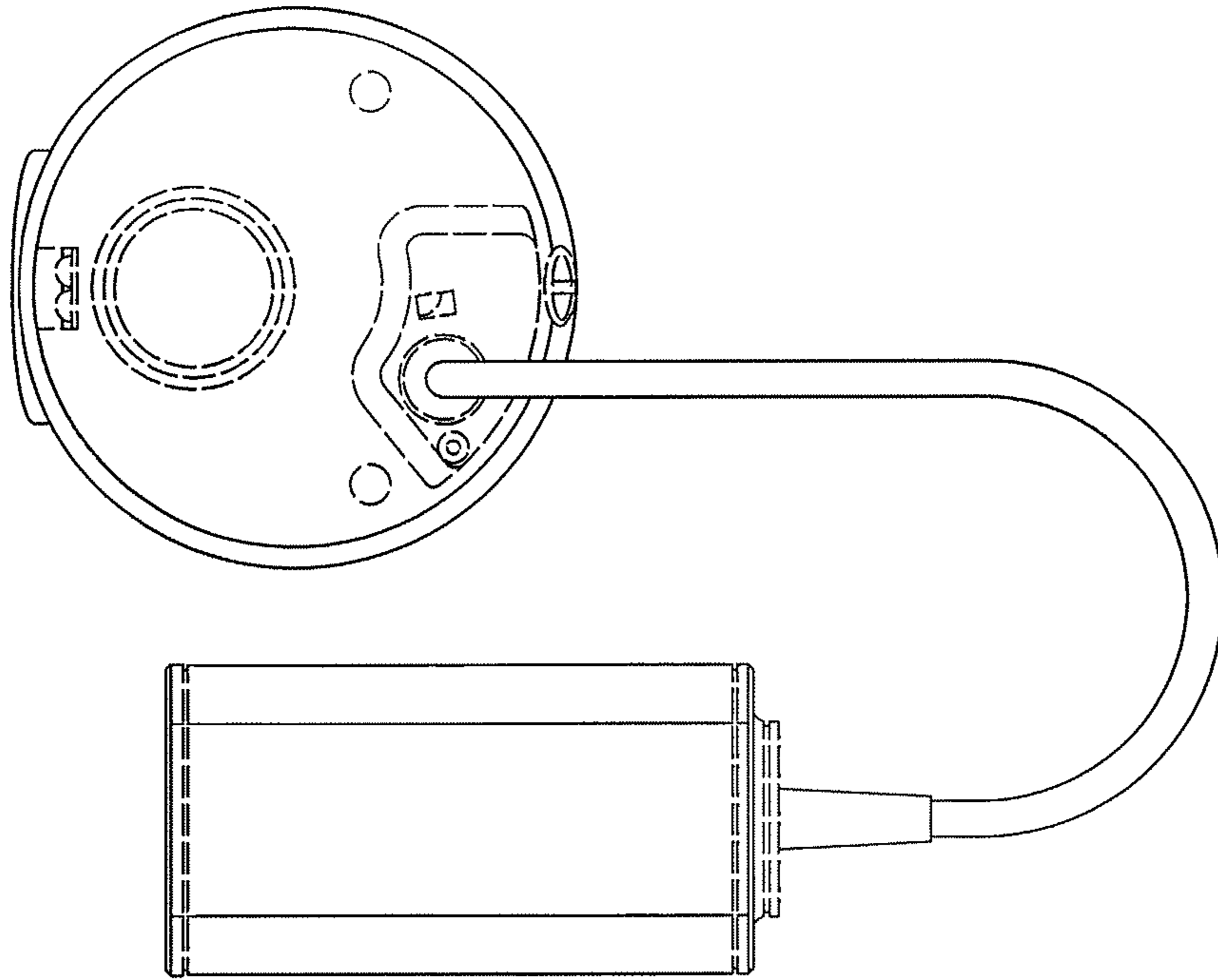


FIG. 7

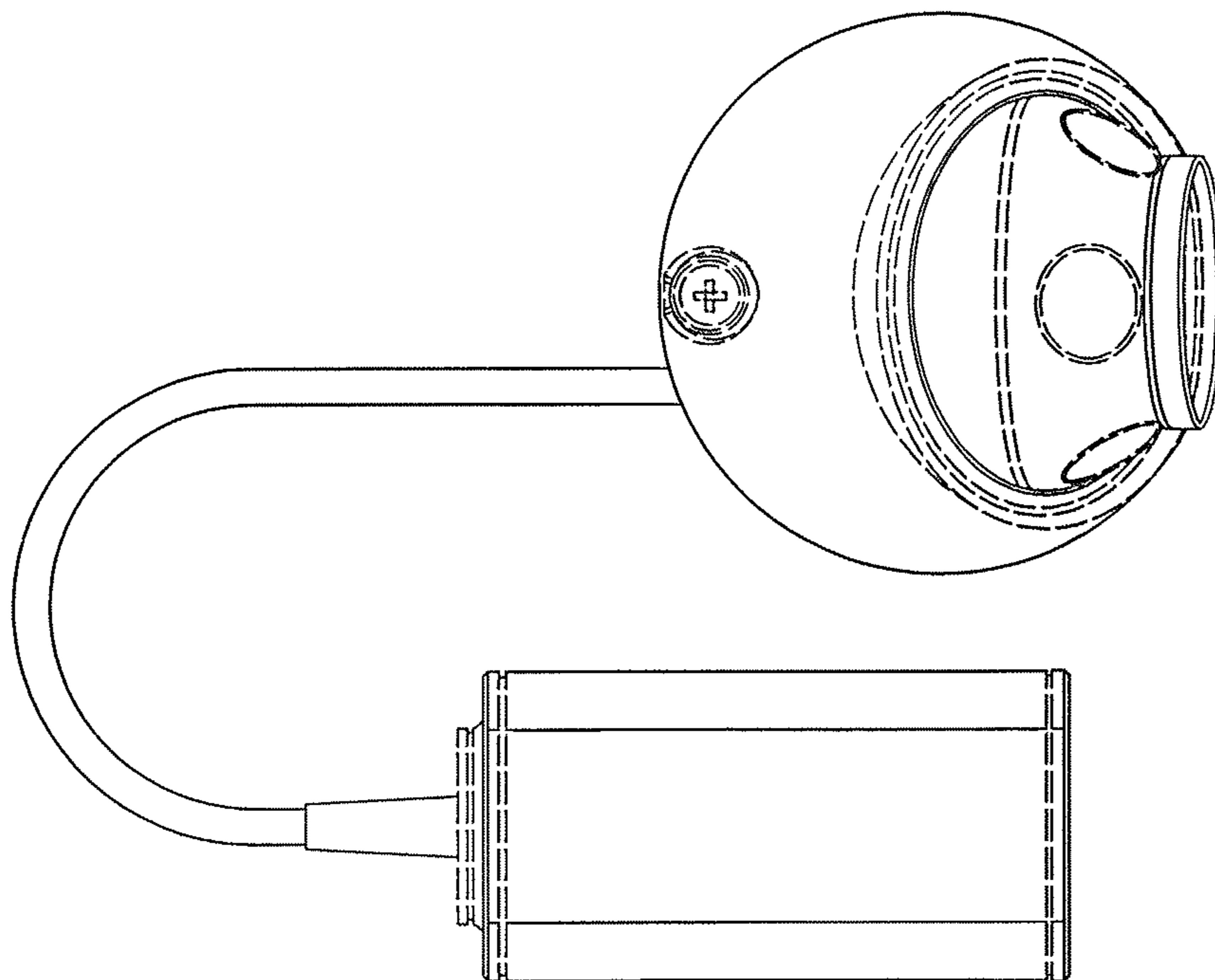


FIG. 6