



US00D726798S

(12) **United States Design Patent**
Neufeld et al.

(10) **Patent No.:** **US D726,798 S**
(45) **Date of Patent:** **** Apr. 14, 2015**

- (54) **MINIATURE DOME CAMERA**
- (71) Applicant: **Avigilon Corporation**, Vancouver (CA)
- (72) Inventors: **Michael Neufeld**, Vancouver (CA);
Sudeep Mohan, Surrey (CA)
- (73) Assignee: **Avigilon Corporation**, Vancouver, BC (CA)
- (**) Term: **14 Years**
- (21) Appl. No.: **29/470,179**
- (22) Filed: **Oct. 17, 2013**

Related U.S. Application Data

- (63) Continuation-in-part of application No. 13/874,279, filed on Apr. 30, 2013.
- (51) **LOC (10) Cl.** **16-01**
- (52) **U.S. Cl.**
USPC **D16/203; D16/208**
- (58) **Field of Classification Search**
CPC G03B 17/02; G03B 19/04; G03B 17/56;
G03B 17/04; G03B 15/03; H04N 5/2251;
H04N 5/2252; H04N 5/2253; H04N 5/2254;
H04N 7/181; H04N 7/183; H04N 7/18;
G08B 13/1963; G08B 13/19619; G08B
13/19632; F16M 11/04; F16M 13/00
USPC D16/200, 202–208, 218, 219, 242;
348/143, 148, 151, 373–376; 396/419,
396/427, 535, 539–541
See application file for complete search history.

(56) **References Cited**

U.S. PATENT DOCUMENTS

4,746,990 A	5/1988	Katoh et al.
6,392,698 B1	5/2002	Yokoyama

D467,952 S *	12/2002	Nakamura	D16/202
D516,105 S *	2/2006	Bradley et al.	D16/202
D536,011 S *	1/2007	Dayan	D16/208
D540,360 S *	4/2007	Yamakawa	D16/203

(Continued)

FOREIGN PATENT DOCUMENTS

JP	2005-157681 A	6/2005
WO	PCT/CA2013/050334	4/2013

OTHER PUBLICATIONS

International Search Report and Written Opinion dated Nov. 18, 2013, issued by the Canadian Intellectual Property Office in corresponding International Patent Application No. PCT/CA2013/050334, filed Apr. 30, 2013. This application has not yet published.

(Continued)

Primary Examiner — Adir Aronovich

Assistant Examiner — Ramzi Almatrahi

(74) *Attorney, Agent, or Firm* — Klarquist Sparkman, LLP

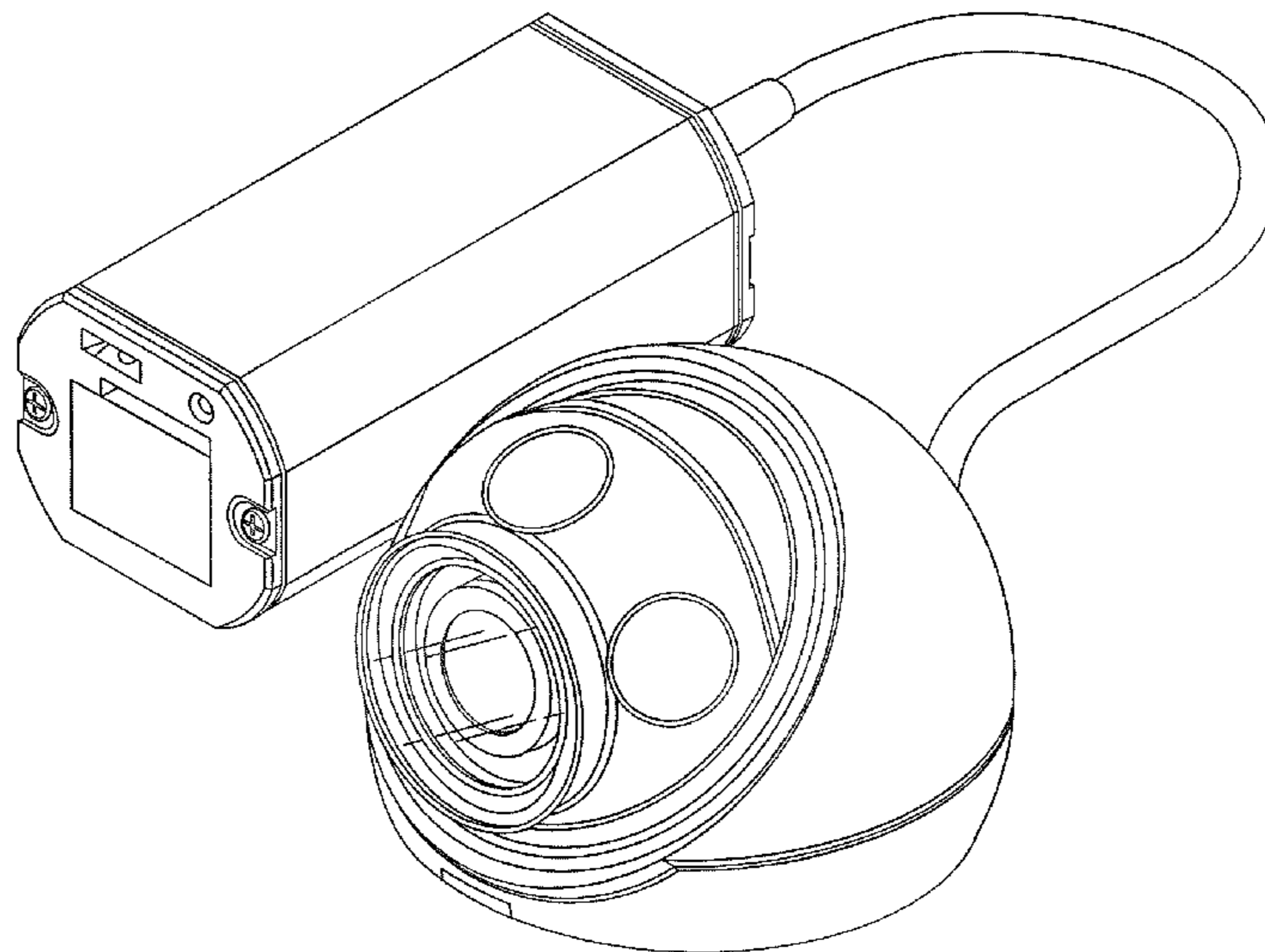
(57) **CLAIM**

The ornamental design for a miniature dome camera, as shown and described.

DESCRIPTION

FIG. 1 is a perspective view of a miniature dome camera; FIG. 2 is a front elevation view of the dome camera of FIG. 1; FIG. 3 is a rear elevation view of the dome camera of FIG. 1; FIG. 4 is a right side elevation view of the dome camera of FIG. 1; FIG. 5 is a left side elevation view of the dome camera of FIG. 1; FIG. 6 is a top plan view of the dome camera of FIG. 1; and, FIG. 7 is a bottom plan view of the dome camera of FIG. 1.

1 Claim, 4 Drawing Sheets



(56)

References Cited

U.S. PATENT DOCUMENTS

D547,347 S * 7/2007 Kim D16/203
 D552,649 S * 10/2007 Logan et al. D16/202
 D554,682 S * 11/2007 Martinez et al. D16/203
 7,425,101 B2 * 9/2008 Cheng 396/427
 D614,222 S * 4/2010 Yamakawa D16/203
 D628,223 S * 11/2010 Kao et al. D16/202
 D633,543 S * 3/2011 Park D16/203
 D648,766 S * 11/2011 Chen D16/202
 D690,344 S * 9/2013 Hollinger D16/200
 D700,232 S * 2/2014 Ramsay et al. D16/218
 D705,844 S * 5/2014 Bart et al. D16/203

8,764,318 B2 * 7/2014 Wada et al. 396/427
 2008/0056709 A1 * 3/2008 Huang 396/427
 2008/0136915 A1 6/2008 Iwamura
 2011/0064403 A1 * 3/2011 Nakano et al. 396/535
 2011/0123189 A1 * 5/2011 Saito 396/535
 2013/0287385 A1 * 10/2013 Andersson 396/427

OTHER PUBLICATIONS

Axis Communications, "Axis P12 Network Camera Series", data sheet; 4 pages.
 Mobotix Corp., S14 FlexMount Camera, instruction manual; 36 pages.

* cited by examiner

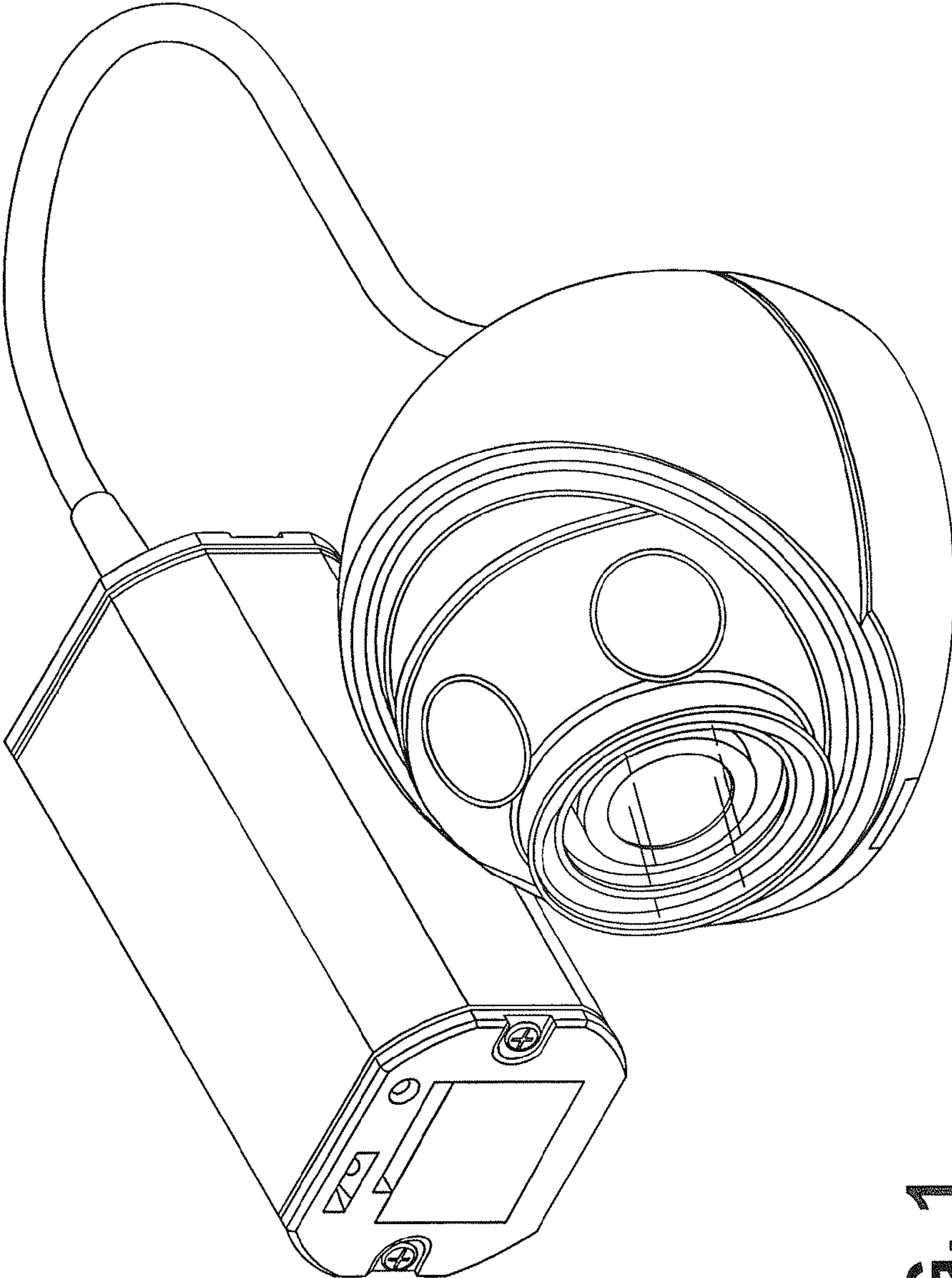


FIG. 1

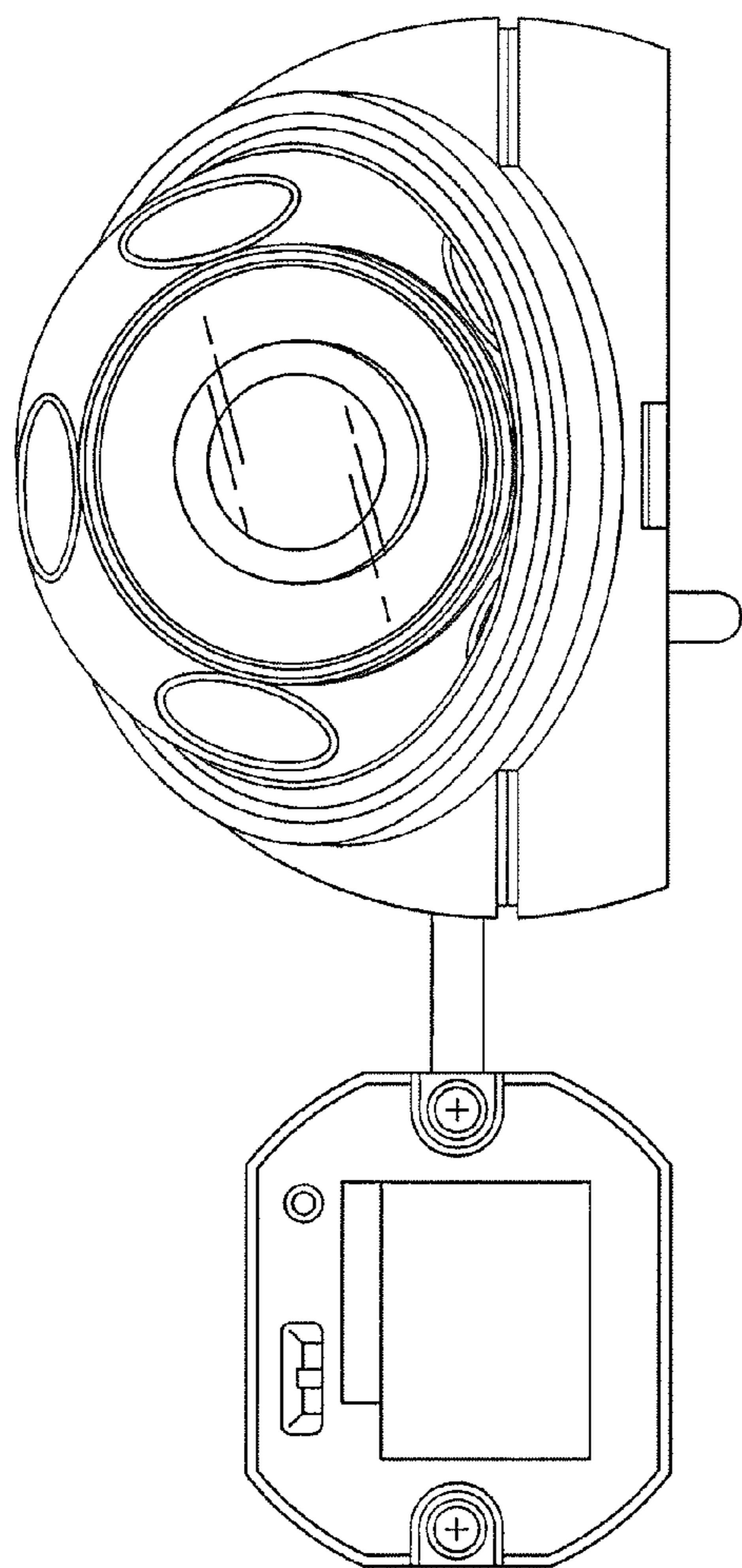


FIG. 2

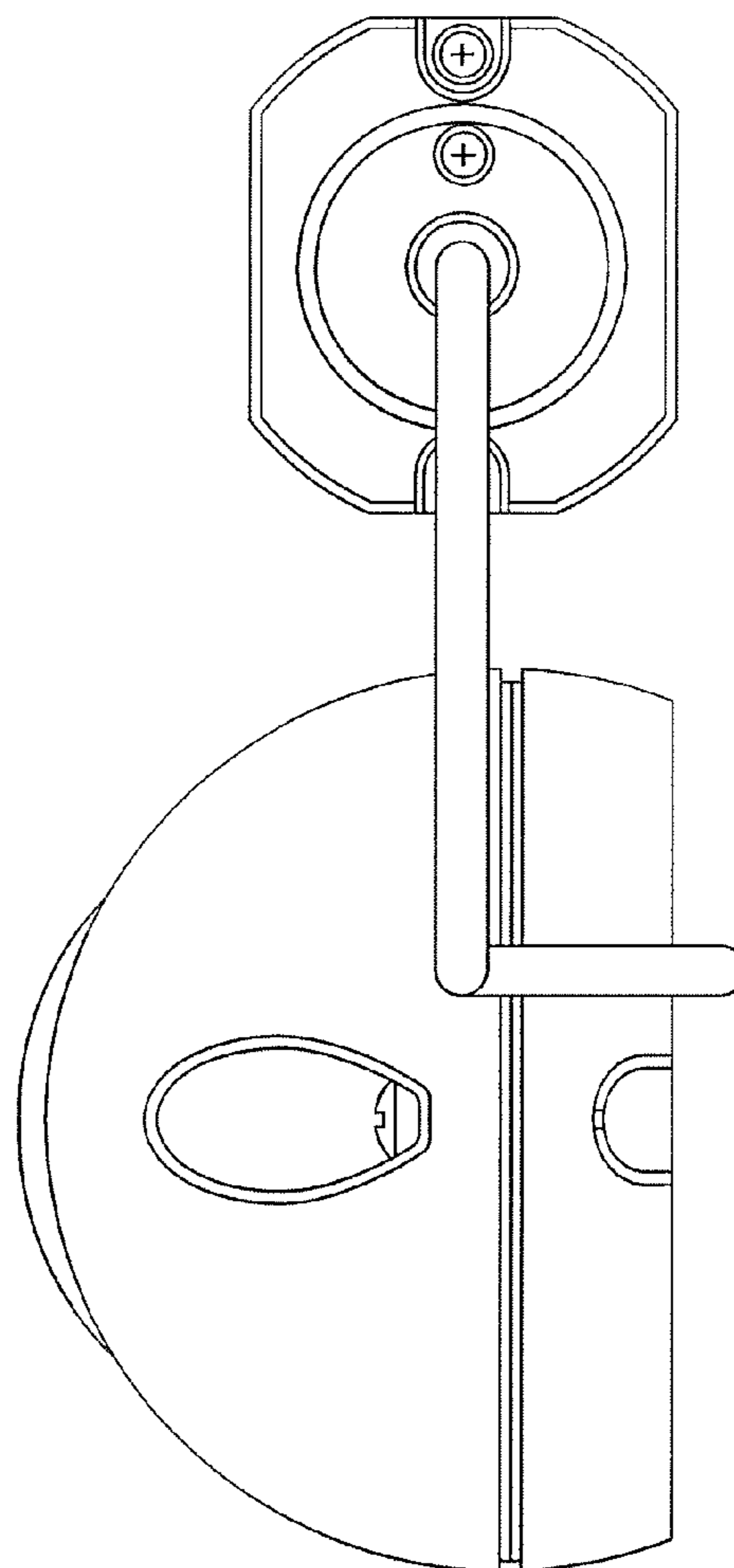


FIG. 3

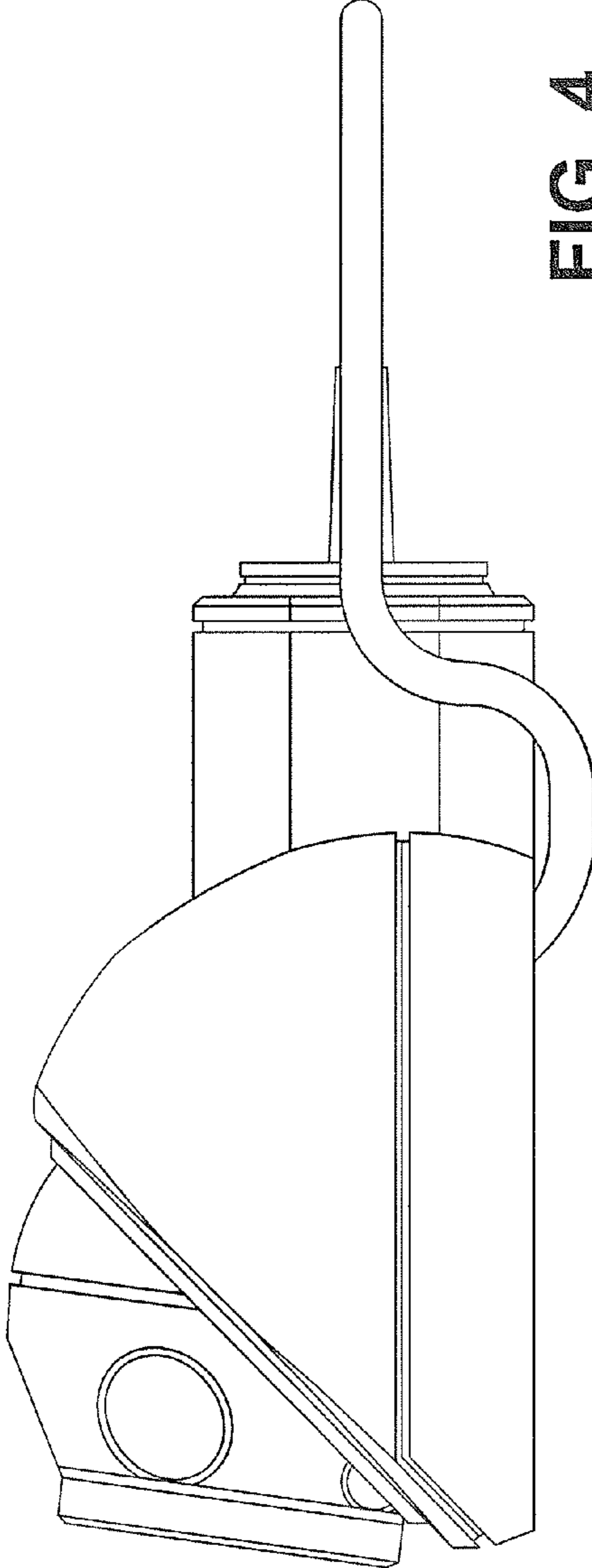


FIG. 4

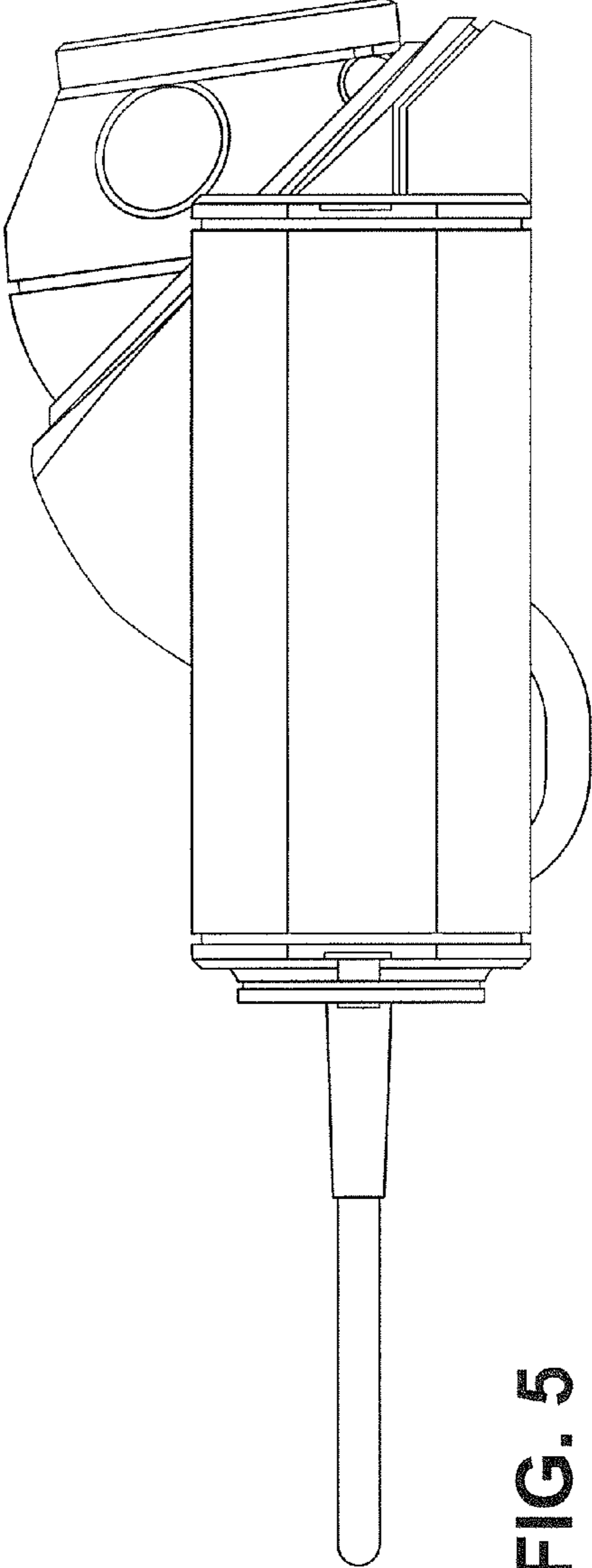


FIG. 5

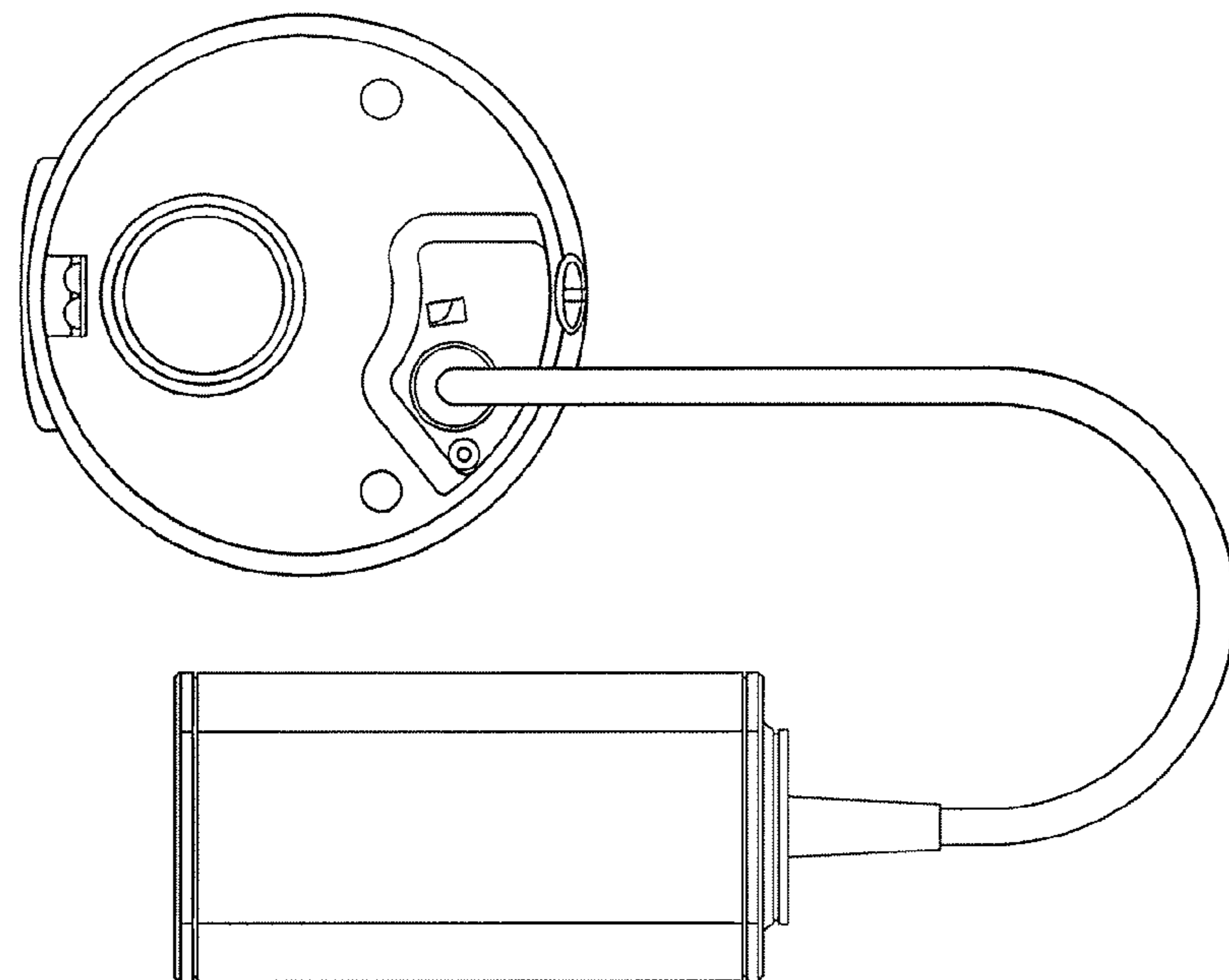


FIG. 7

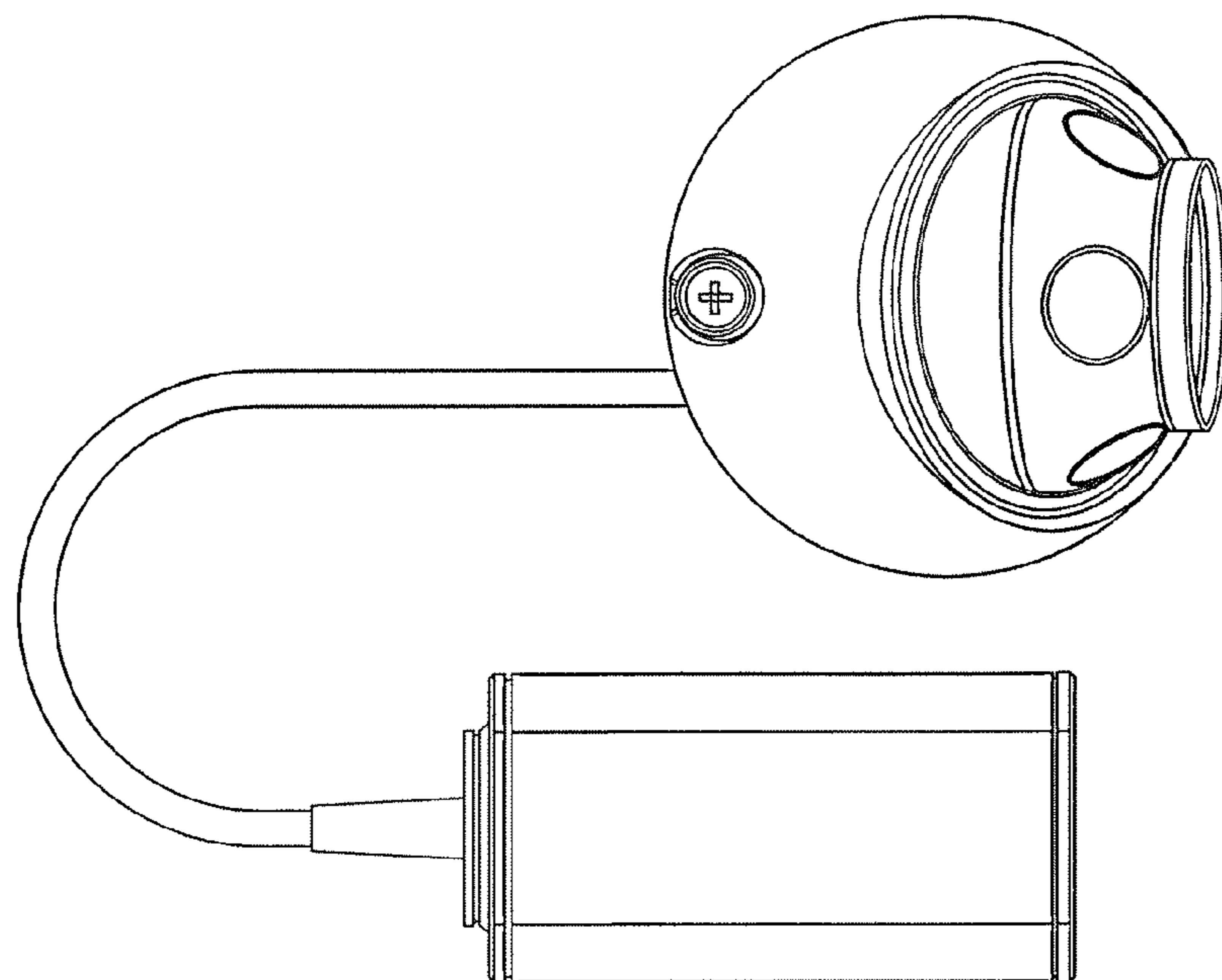


FIG. 6