



US00D726797S

(12) **United States Design Patent**
Ham et al.

(10) **Patent No.:** **US D726,797 S**
(45) **Date of Patent:** **** Apr. 14, 2015**

- (54) **DIGITAL CAMERA**
- (71) Applicant: **Samsung Electronics Co., Ltd.**,
Suwon-si (KR)
- (72) Inventors: **Min-Ki Ham**, Seoul (KR); **Seung-Ho Jang**, Seongnam-si (KR)
- (73) Assignee: **Samsung Electronics Co., Ltd.**,
Suwon-si (KR)
- (**) Term: **14 Years**
- (21) Appl. No.: **29/471,984**
- (22) Filed: **Nov. 7, 2013**
- (30) **Foreign Application Priority Data**
May 7, 2013 (KR) 30-2013-0024184
- (51) **LOC (10) Cl.** **16-01**
- (52) **U.S. Cl.**
USPC **D16/202**
- (58) **Field of Classification Search**
CPC G03B 15/03; G03B 17/02; G03B 17/04;
G03B 17/56; G03B 19/04; H04N 5/2251;
H04N 5/2252; H04N 5/2253; H04N 5/2254;
H04N 2101/00
USPC D16/200, 202–206, 208, 217, 218, 219;
348/340, 373–376; 396/89, 176–178,
396/535, 539–541
See application file for complete search history.

(56) **References Cited**

U.S. PATENT DOCUMENTS

D559,291	S	*	1/2008	Hayashi	D16/202
D560,239	S	*	1/2008	Kim et al.	D16/202
D561,806	S	*	2/2008	Funakoshi et al.	D16/217
D567,835	S	*	4/2008	Sumita	D16/206
D594,892	S	*	6/2009	Kamiya et al.	D16/202
D609,730	S	*	2/2010	Nakamura	D16/202
D611,977	S	*	3/2010	Kim et al.	D16/202
D620,036	S	*	7/2010	Obata	D16/202
D639,325	S	*	6/2011	Yamauchi et al.	D16/202

8,199,245	B2	*	6/2012	Sato	348/340
D671,583	S	*	11/2012	Sakai	D16/202
8,326,138	B2	*	12/2012	Yoshii et al.	396/89
D690,755	S	*	10/2013	Nikaido	D16/202
D698,840	S	*	2/2014	Nakamura et al.	D16/202
2013/0093946	A1	*	4/2013	Nakagawa	348/374

* cited by examiner

Primary Examiner — Adir Aronovich

Assistant Examiner — Ramzi Almatrahi

(74) *Attorney, Agent, or Firm* — NSIP Law

(57) **CLAIM**

The ornamental design for a digital camera, as shown and described.

DESCRIPTION

FIG. 1 is a front perspective view of a digital camera showing our new design;

FIG. 2 is a front view thereof;

FIG. 3 is a rear view thereof;

FIG. 4 is a left-side view thereof;

FIG. 5 is a right-side view thereof;

FIG. 6 is a top view thereof;

FIG. 7 is a bottom view thereof;

FIG. 8 is an enlarged view of an encircled portion as shown in FIG. 1;

FIG. 9 is an enlarged view of another encircled portion as shown in FIG. 1;

FIG. 10 is an enlarged view of the encircled portion as shown in FIG. 3;

FIG. 11 is an enlarged view of the encircled portion as shown in FIG. 5;

FIG. 12 is an enlarged view of an encircled portion as shown in FIG. 6; and,

FIG. 13 is an enlarged view of another encircled portion, as shown in FIG. 6.

The broken lines depict portions of the digital camera in which the design is embodied and form no part of the claimed design.

The dot-dash encircling portions are illustrated to show enlargements and form no part of the claimed design.

1 Claim, 11 Drawing Sheets

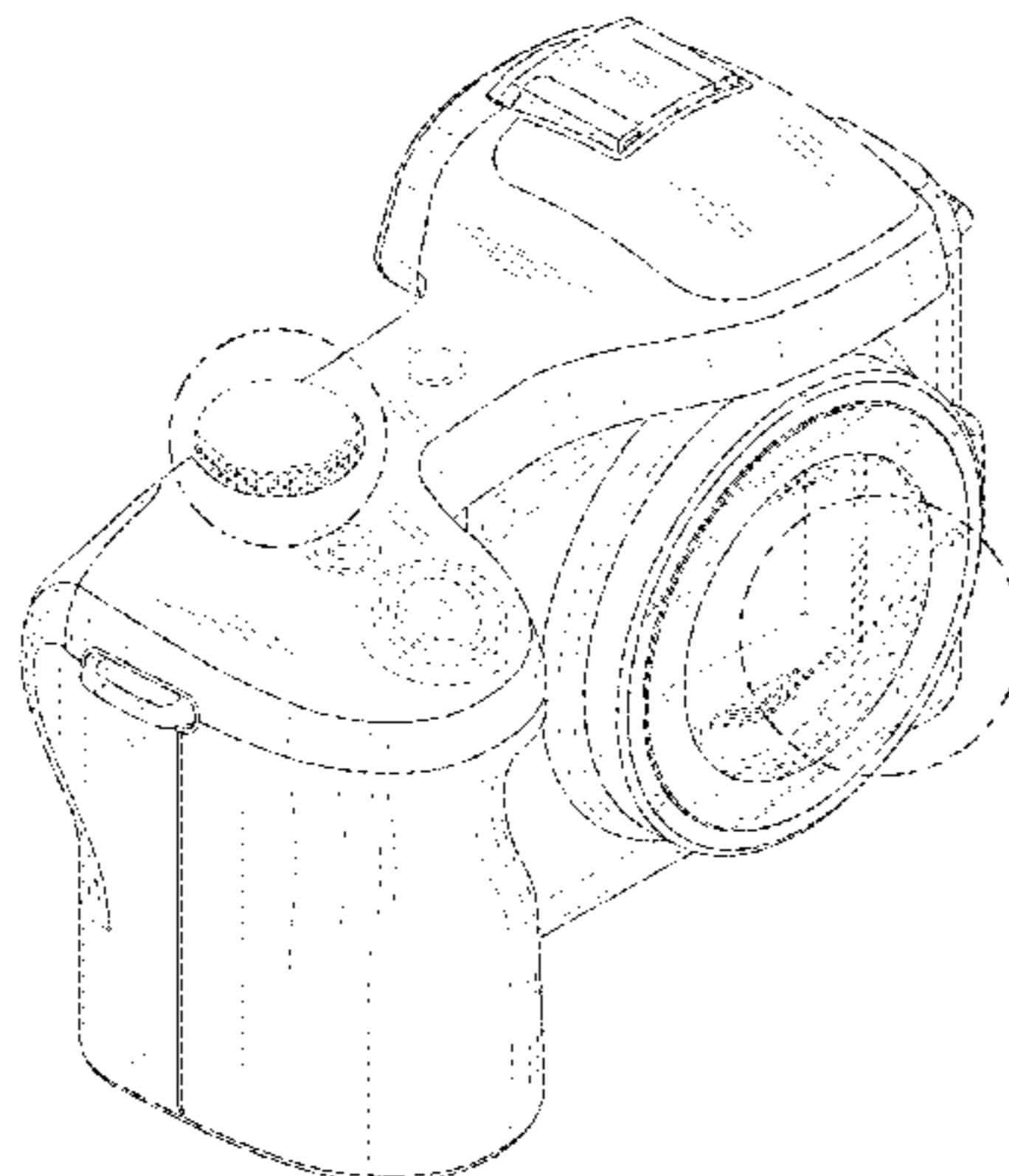


FIG. 1

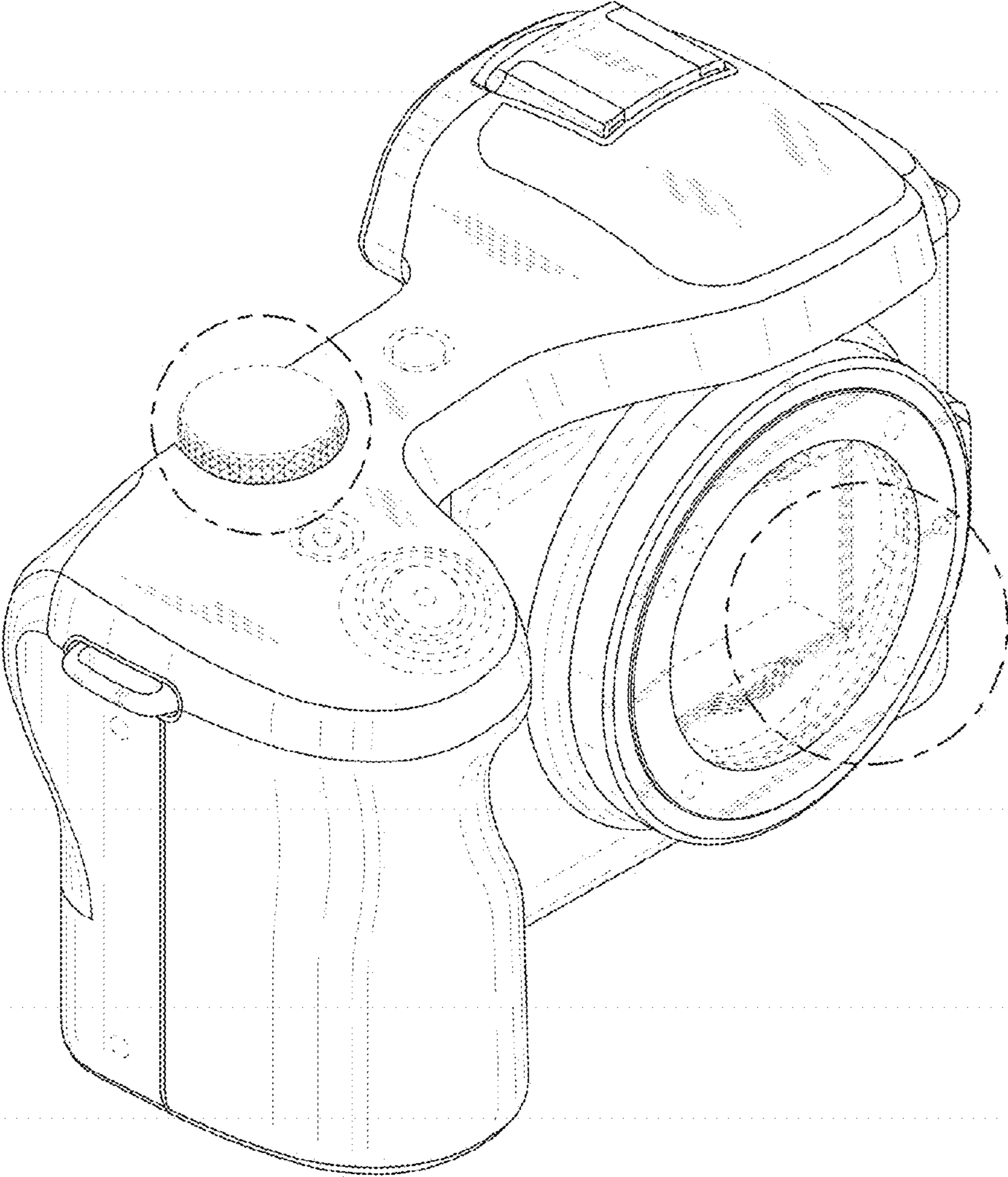


FIG.2

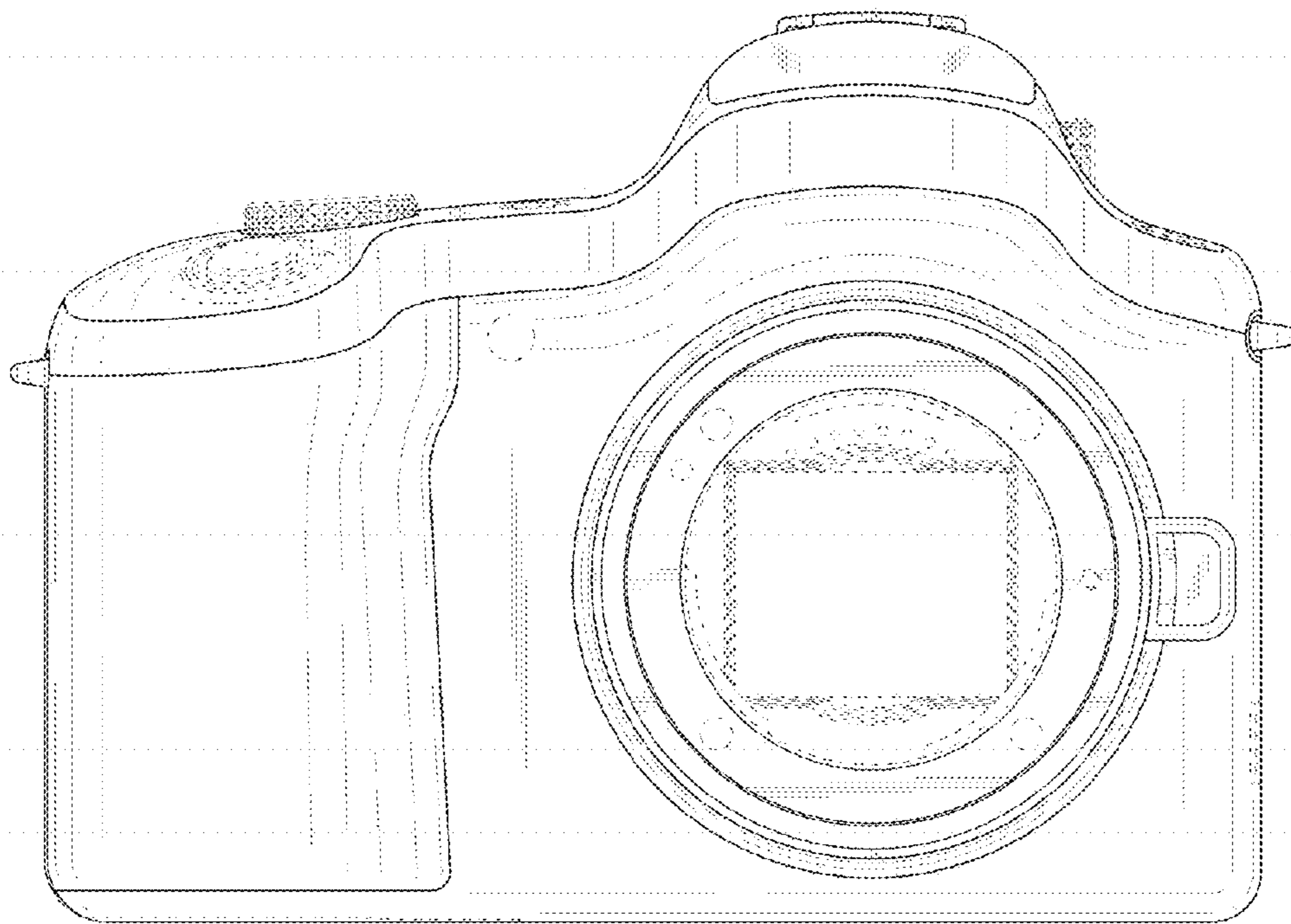


FIG.3

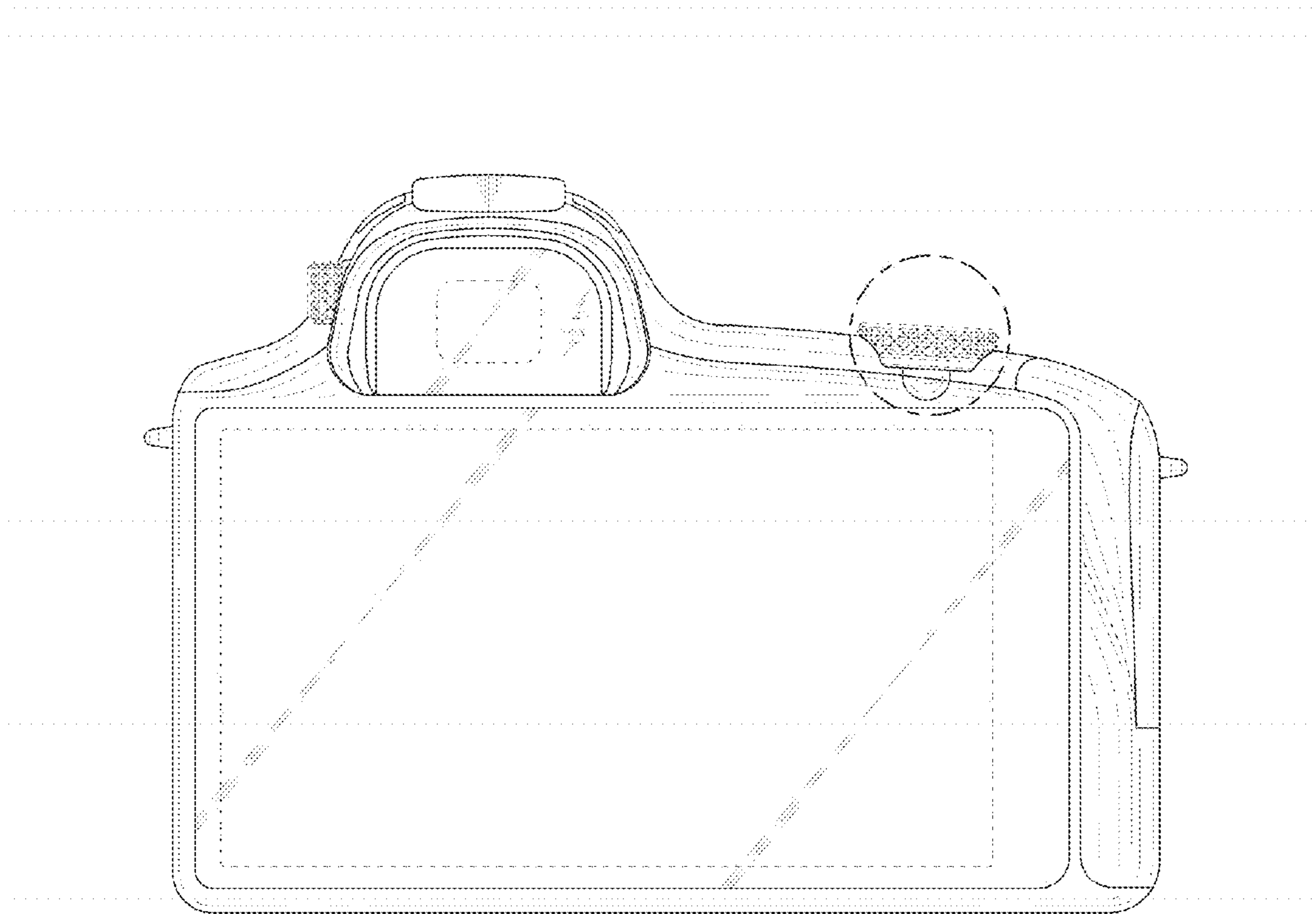


FIG.4

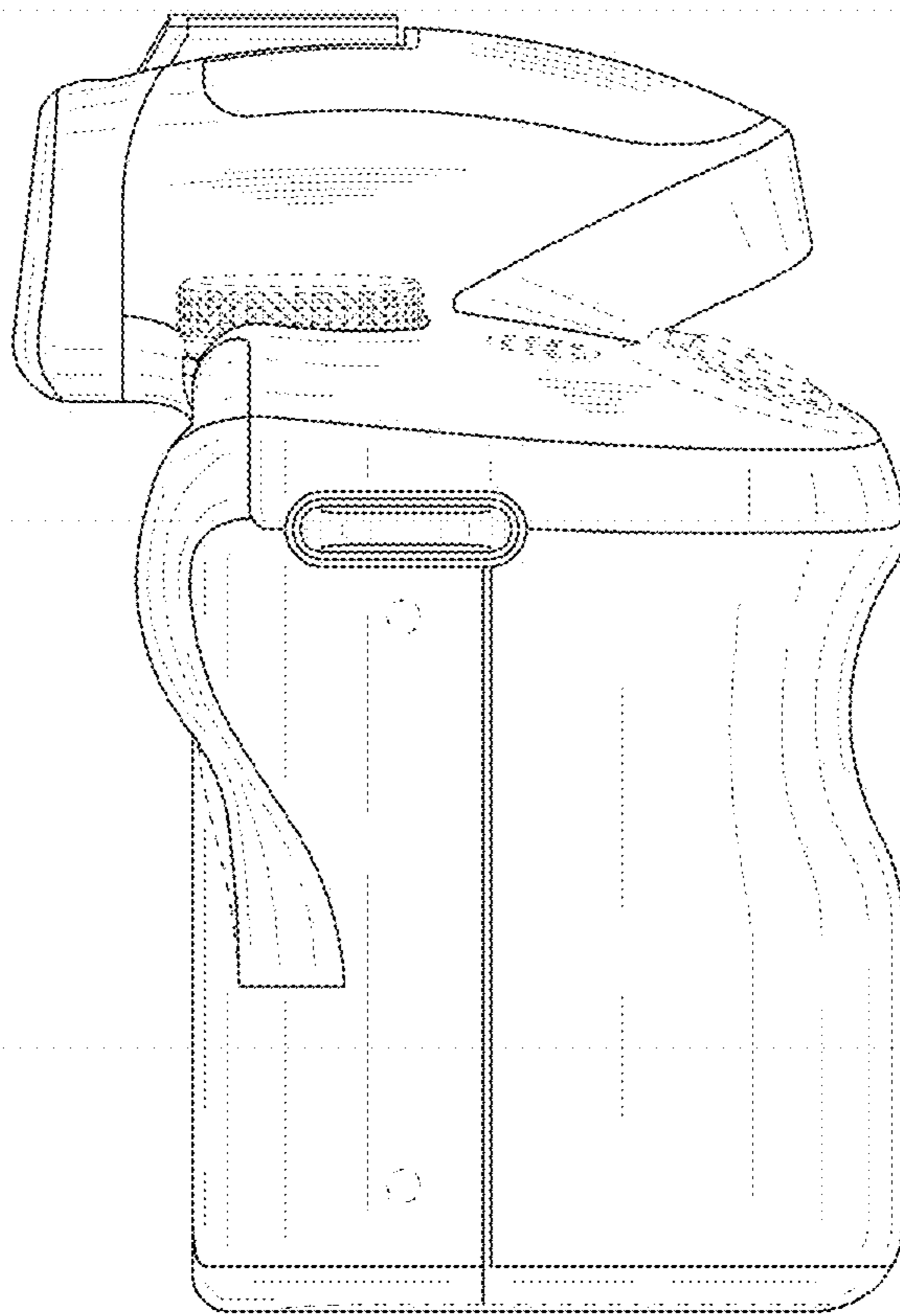


FIG.5

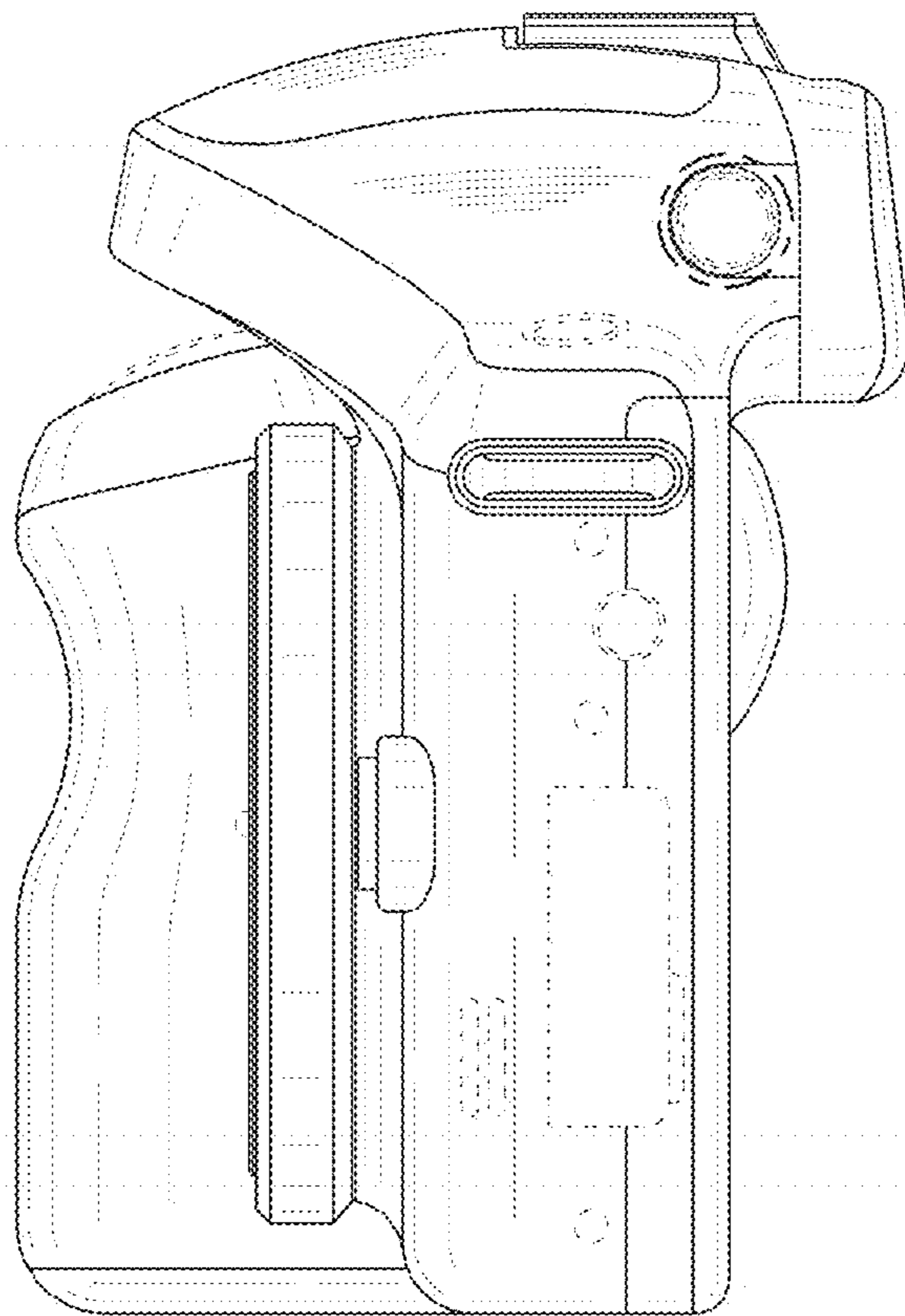


FIG.6

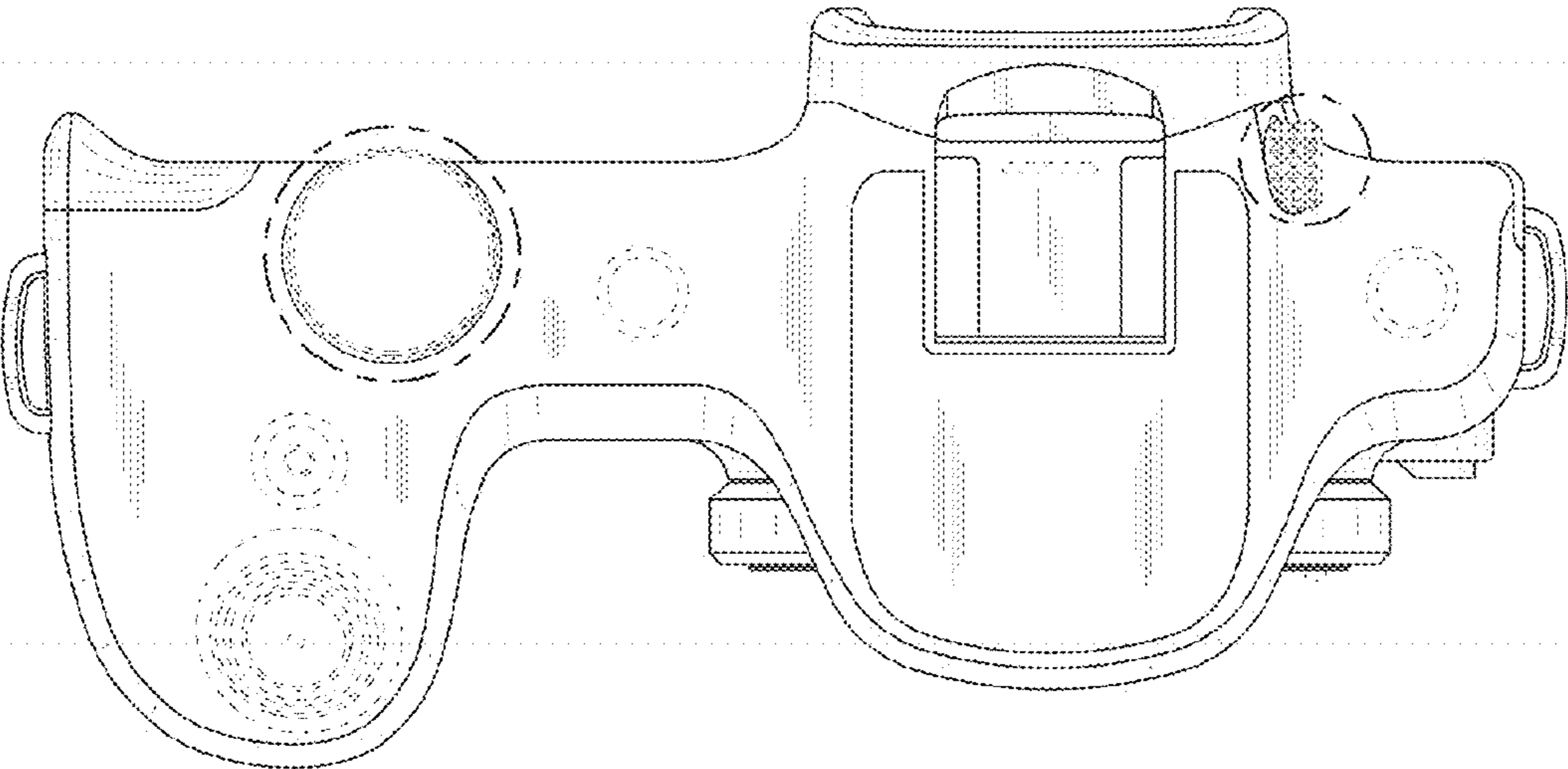


FIG. 7

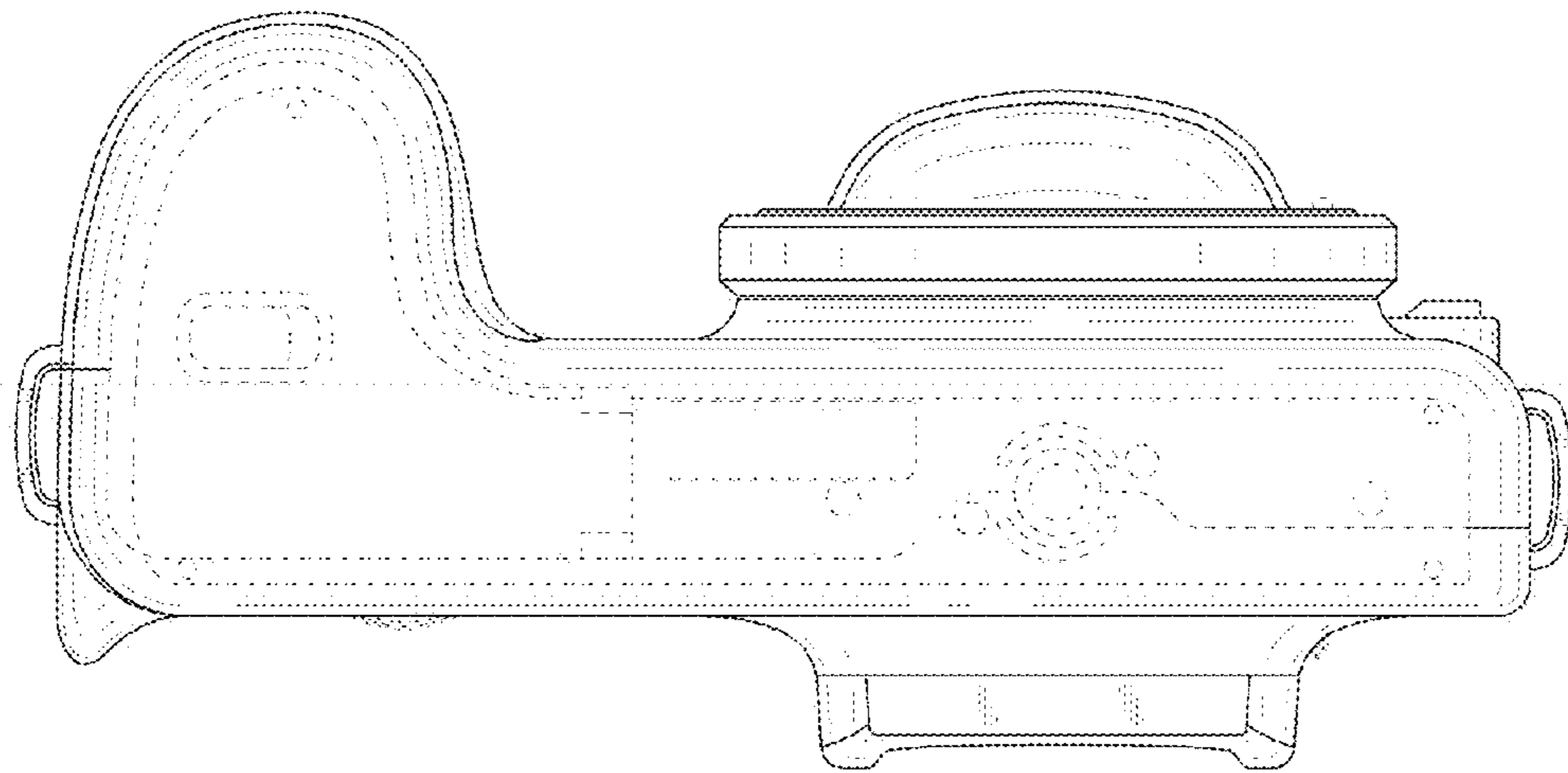


FIG.8

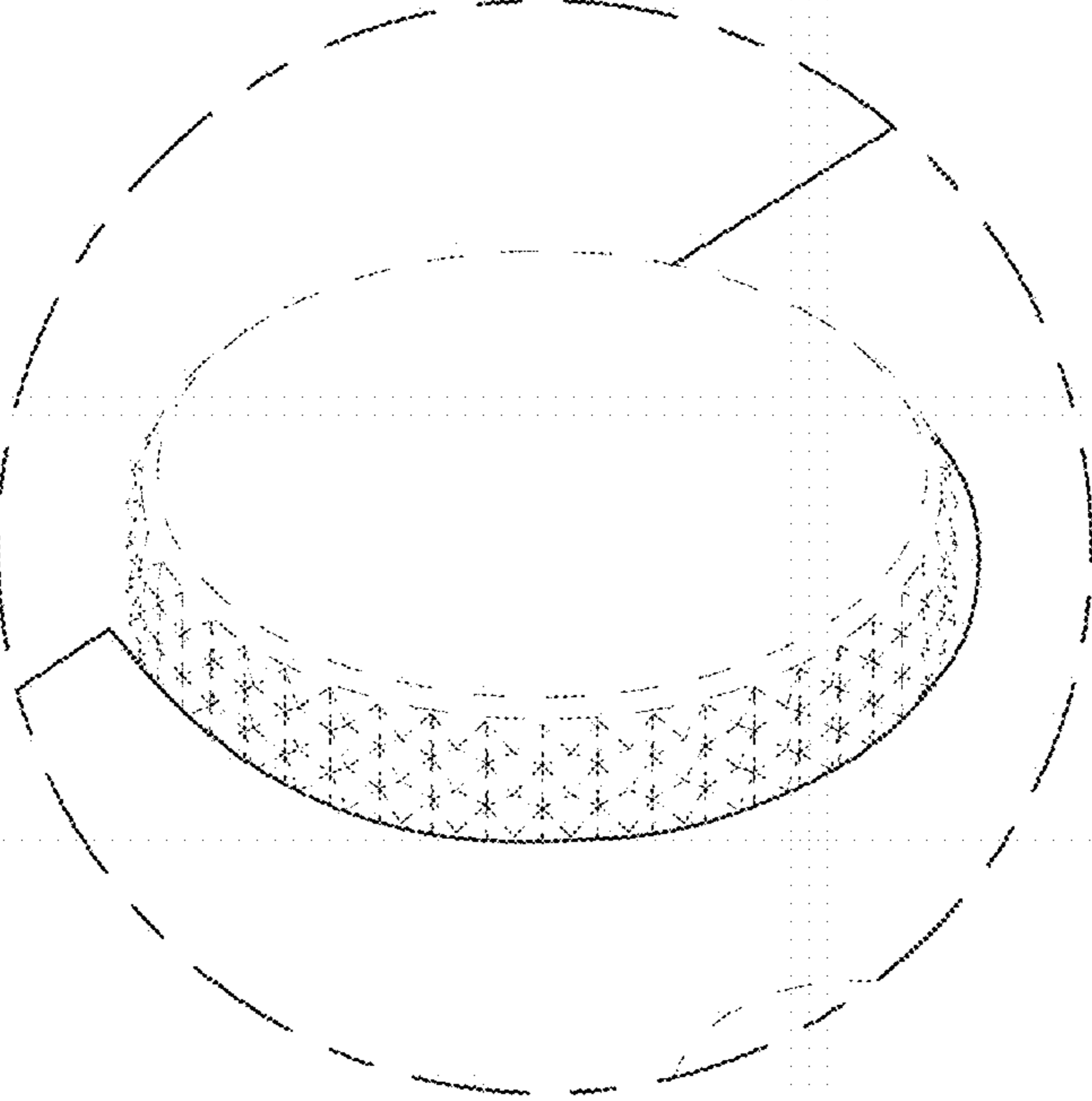


FIG.9

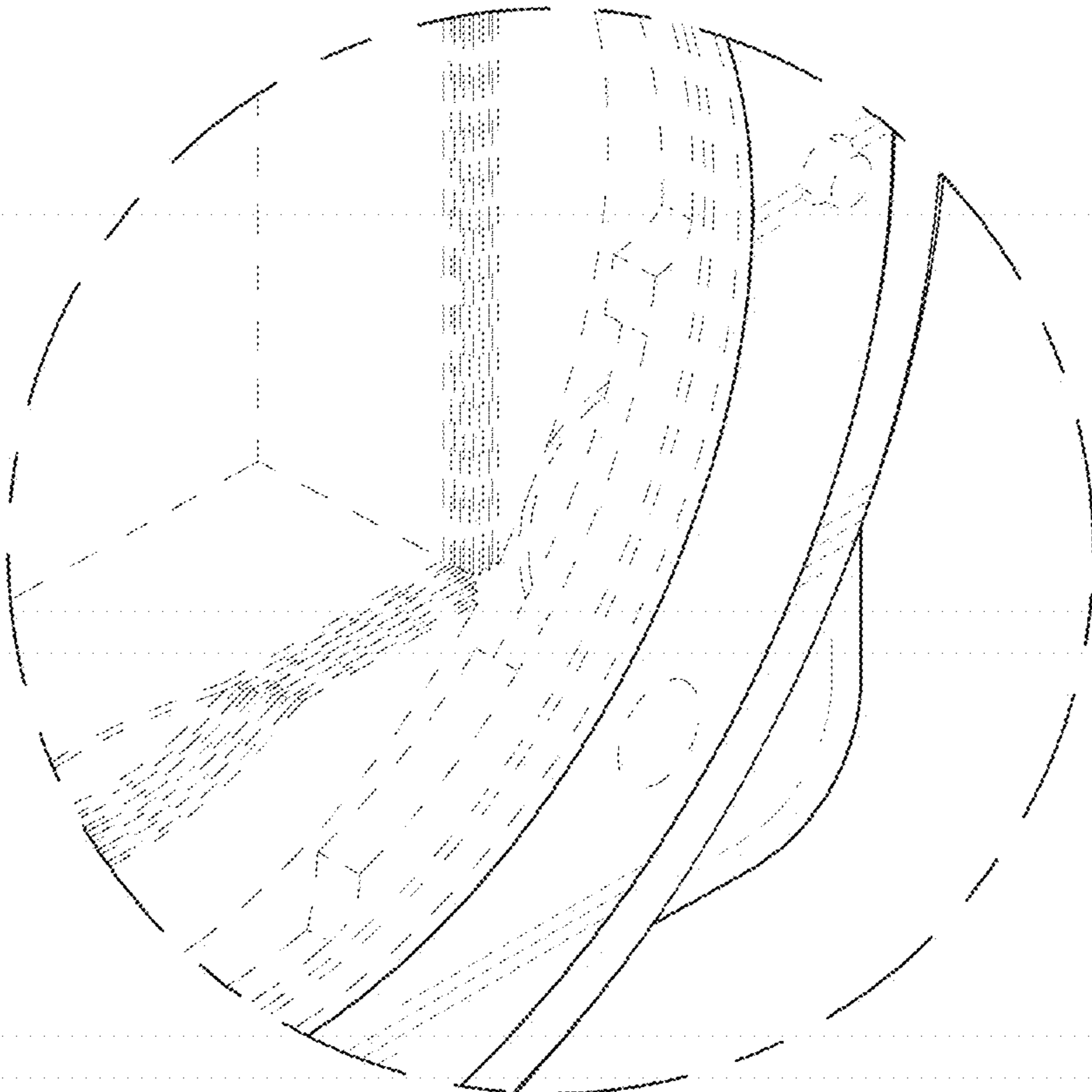


FIG.10

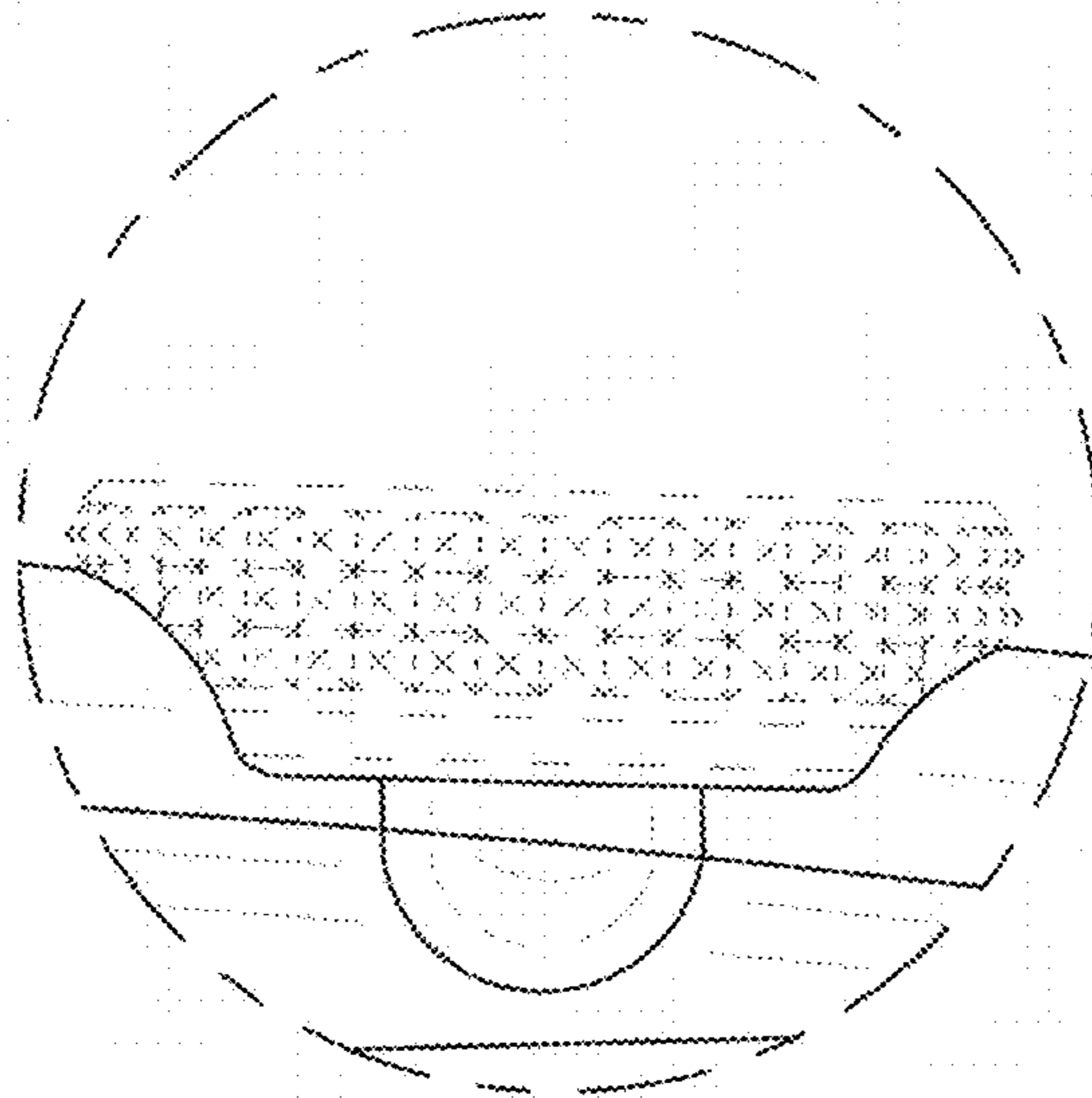


FIG.11

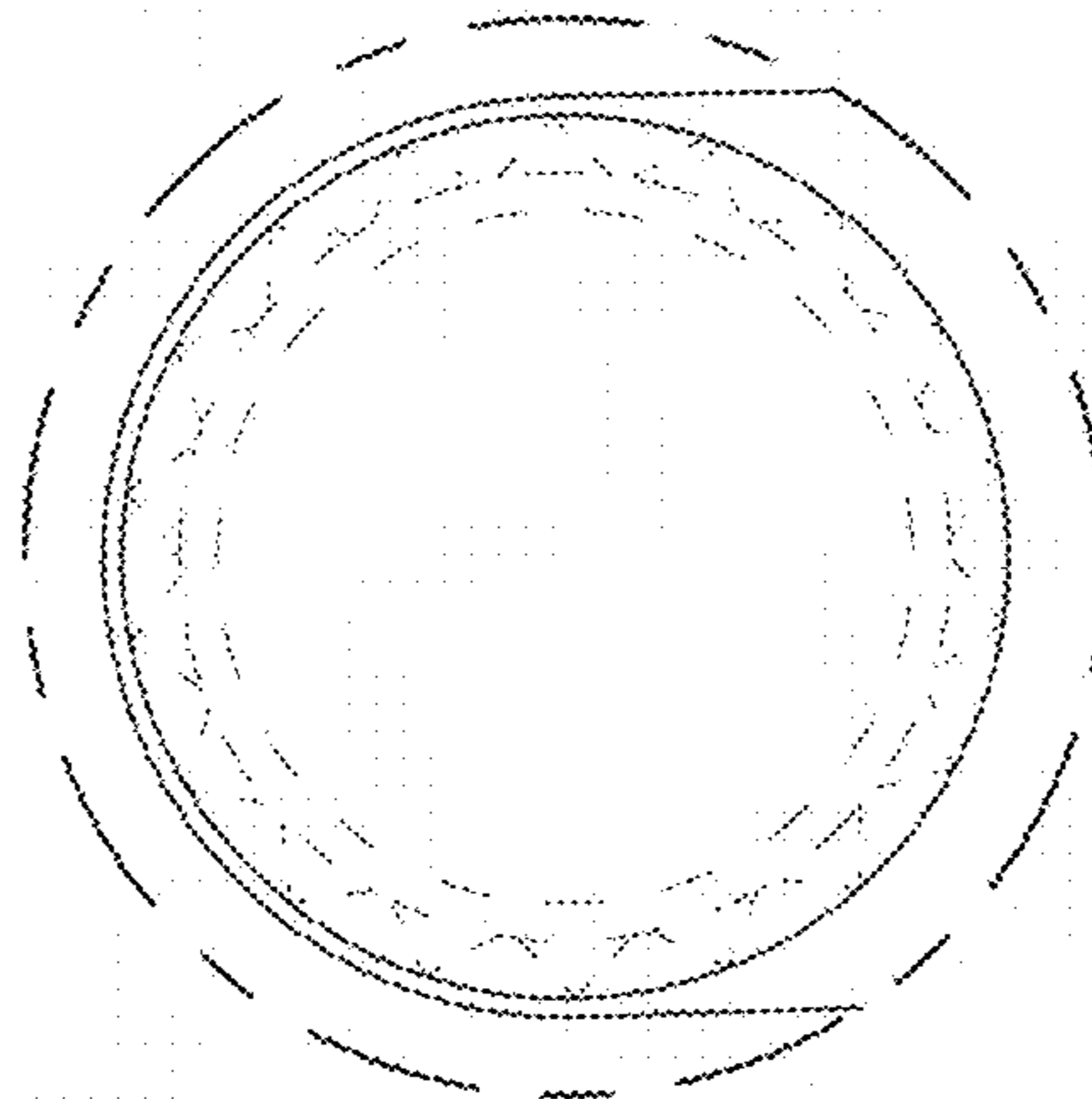


FIG. 12

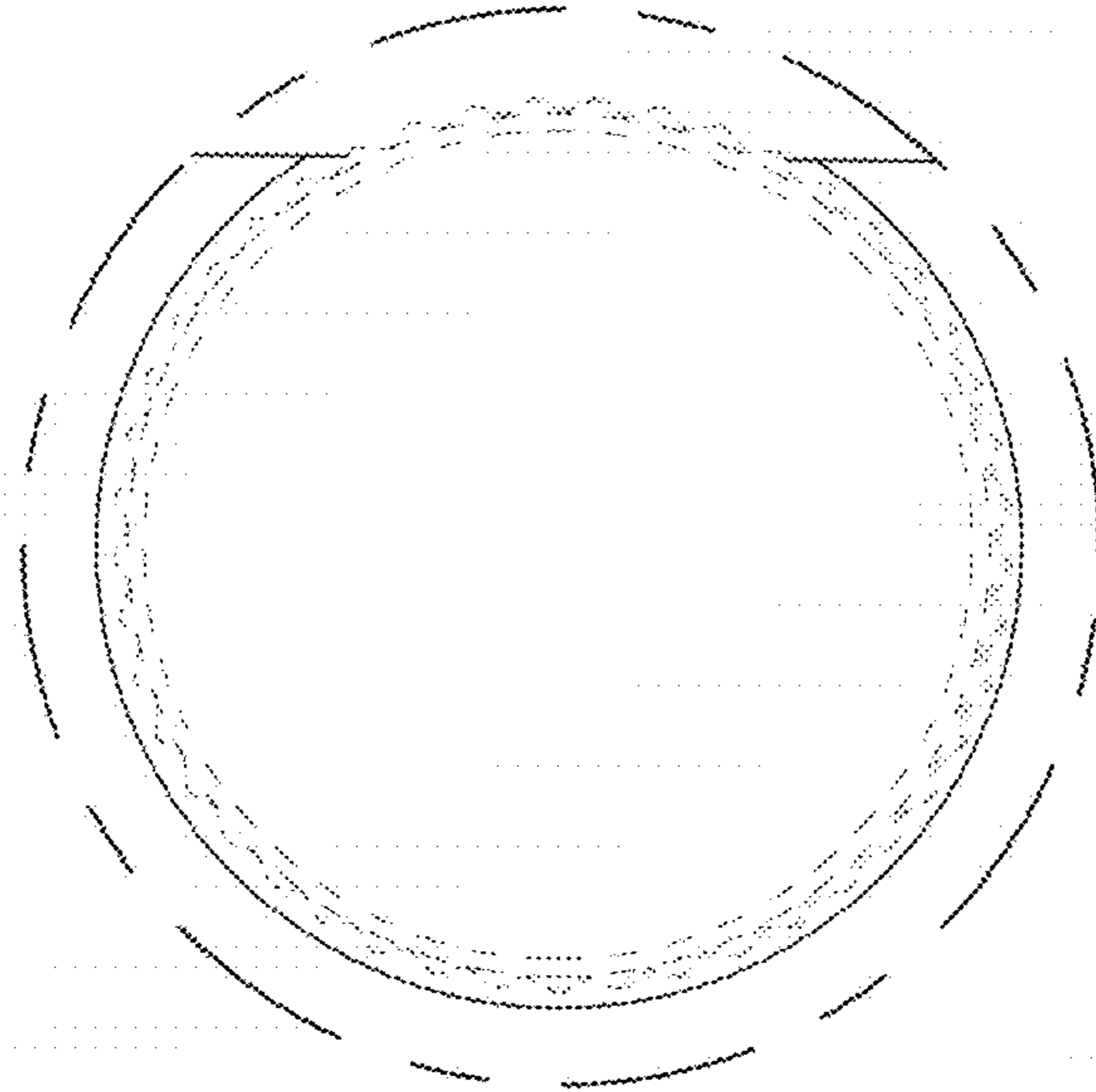


FIG. 13

