



US00D726795S

(12) **United States Design Patent**
Huang

(10) **Patent No.:** **US D726,795 S**

(45) **Date of Patent:** **** *Apr. 14, 2015**

(54) **VIBRATING MODULE FOR
ELECTROMAGNETIC VIBRATOR**

(71) Applicant: **Hsin Min Huang**, Ningbo (CN)

(72) Inventor: **Hsin Min Huang**, Ningbo (CN)

(73) Assignee: **Tang Band Industries Co., Ltd.**,
Ningbo, Zhejiang (CN)

(*) Notice: This patent is subject to a terminal disclaimer.

(**) Term: **14 Years**

(21) Appl. No.: **29/442,942**

(22) Filed: **Jun. 17, 2013**

(30) **Foreign Application Priority Data**

Dec. 14, 2012 (CN) 2012 3 0629097

(51) **LOC (10) Cl.** **15-09**

(52) **U.S. Cl.**
USPC **D15/147**

(58) **Field of Classification Search**
USPC D15/143, 147
See application file for complete search history.

(56) **References Cited**

U.S. PATENT DOCUMENTS

2,641,720	A *	6/1953	Stewart	310/28
2,673,938	A *	3/1954	Winkelman	310/32
3,733,500	A *	5/1973	Mushrush	310/17
3,764,834	A *	10/1973	Brosch et al.	310/17
3,775,625	A *	11/1973	Brosch et al.	310/19

D281,401	S *	11/1985	Perrins	D10/75
D371,752	S *	7/1996	Stemporzewski, Jr.	...	D10/104.1
6,155,707	A *	12/2000	Brehier et al.	366/110
D542,816	S *	5/2007	Yajima et al.	D15/143
D542,817	S *	5/2007	George	D15/147
D585,922	S *	2/2009	Curran et al.	D15/147
D594,489	S *	6/2009	Rose	D15/147
D630,659	S *	1/2011	Dibbs	D15/147
D635,165	S *	3/2011	Yajima et al.	D15/143
D664,576	S *	7/2012	Mueller et al.	D15/147
8,396,244	B2 *	3/2013	Huang	381/398
8,624,450	B2 *	1/2014	Dong et al.	310/25
8,643,236	B2 *	2/2014	Li et al.	310/81
2006/0114090	A1 *	6/2006	Yajima et al.	335/229

* cited by examiner

Primary Examiner — Patricia Palasik

(74) *Attorney, Agent, or Firm* — Raymond Y. Chan; David and Raymond Patent Firm

(57) **CLAIM**

The ornamental design for a vibrating module for electromagnetic vibrator, as shown and described.

DESCRIPTION

FIG. 1 is a front perspective view of a vibrating module for electromagnetic vibrator showing my new design.

FIG. 2 is a front view thereof.

FIG. 3 is a rear view thereof.

FIG. 4 is a left end view thereof.

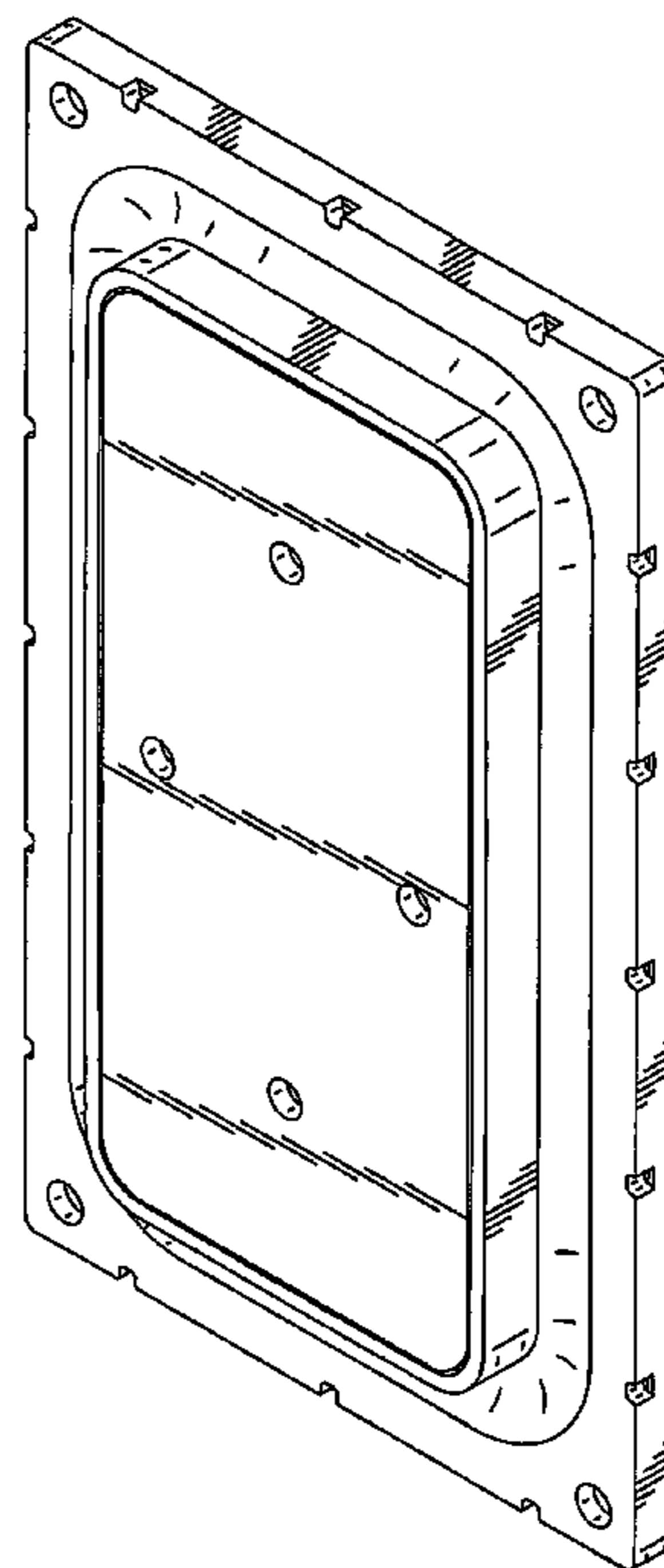
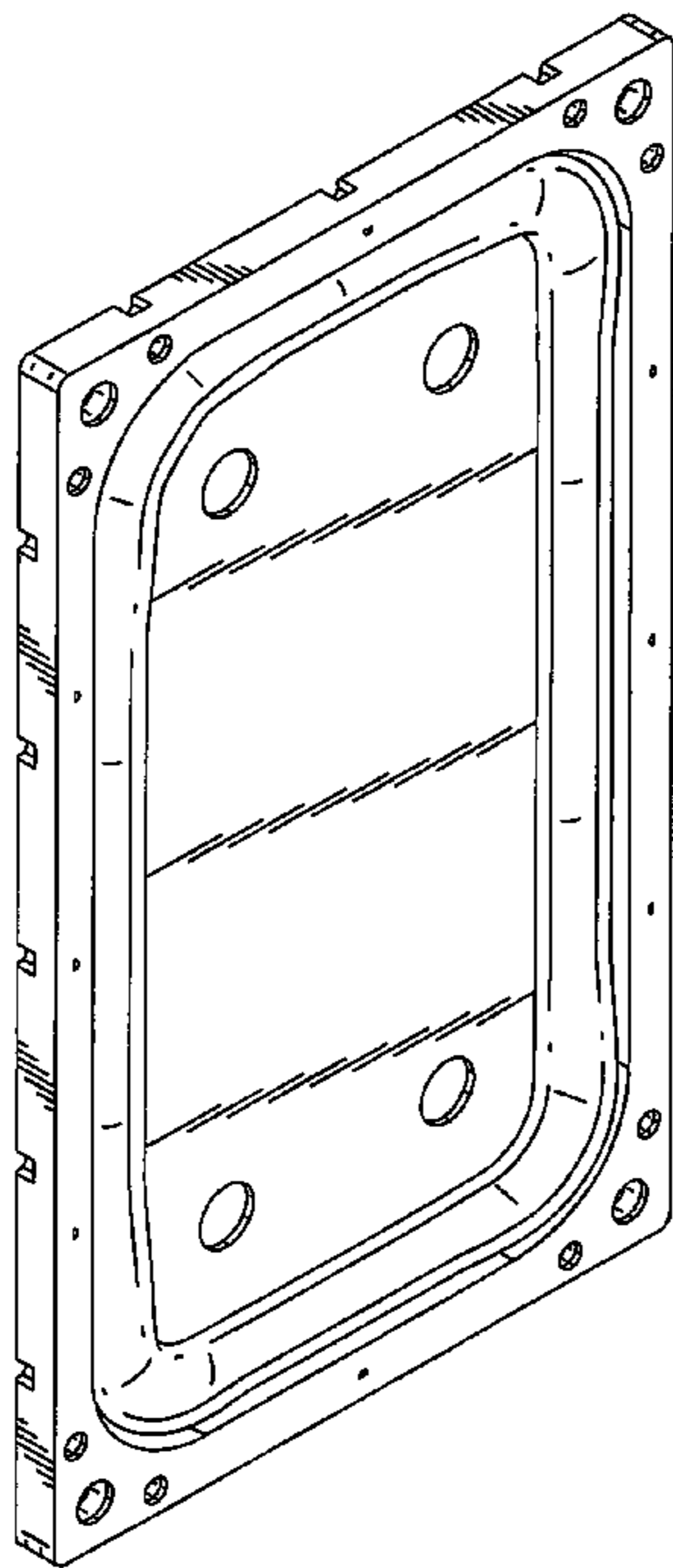
FIG. 5 is a right view thereof.

FIG. 6 is a top view thereof.

FIG. 7 is a bottom view thereof; and,

FIG. 8 is a rear perspective view of a vibrating module for electromagnetic vibrator showing my new design.

1 Claim, 8 Drawing Sheets



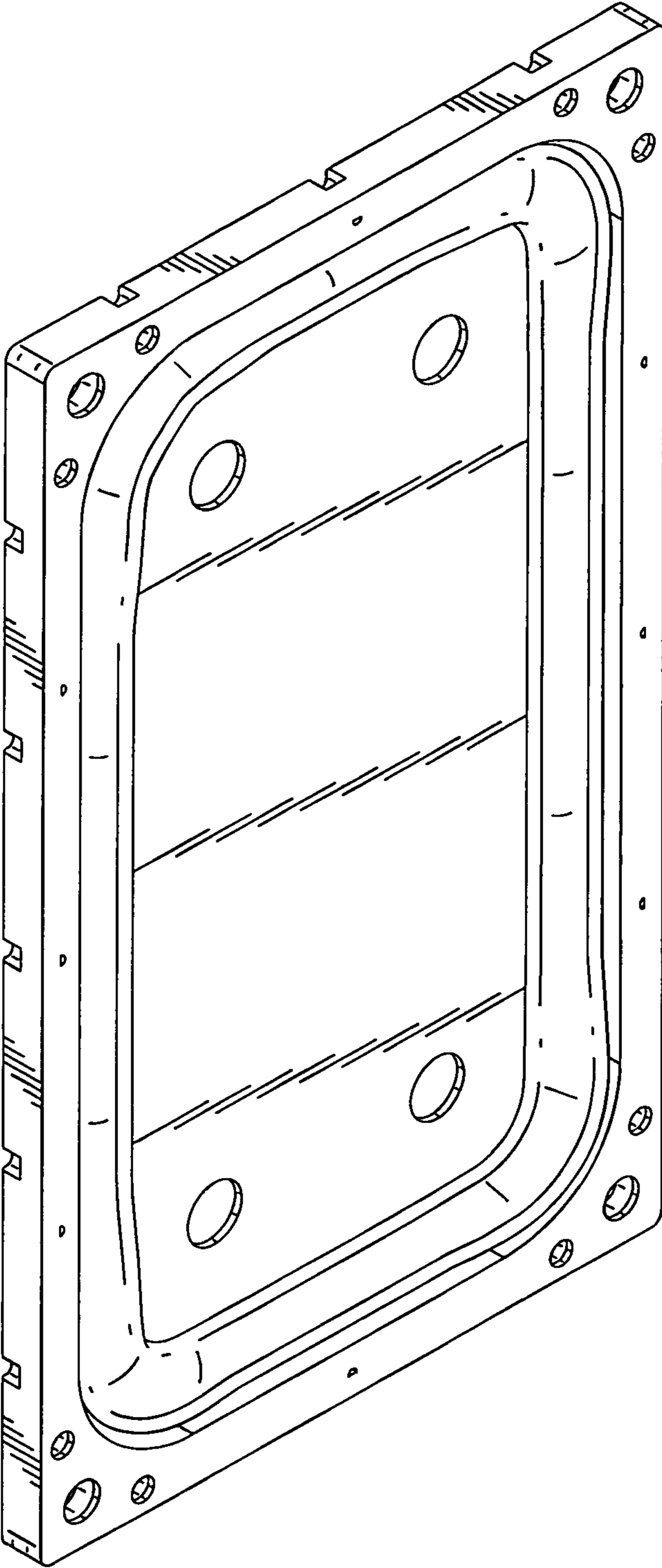


FIG.1

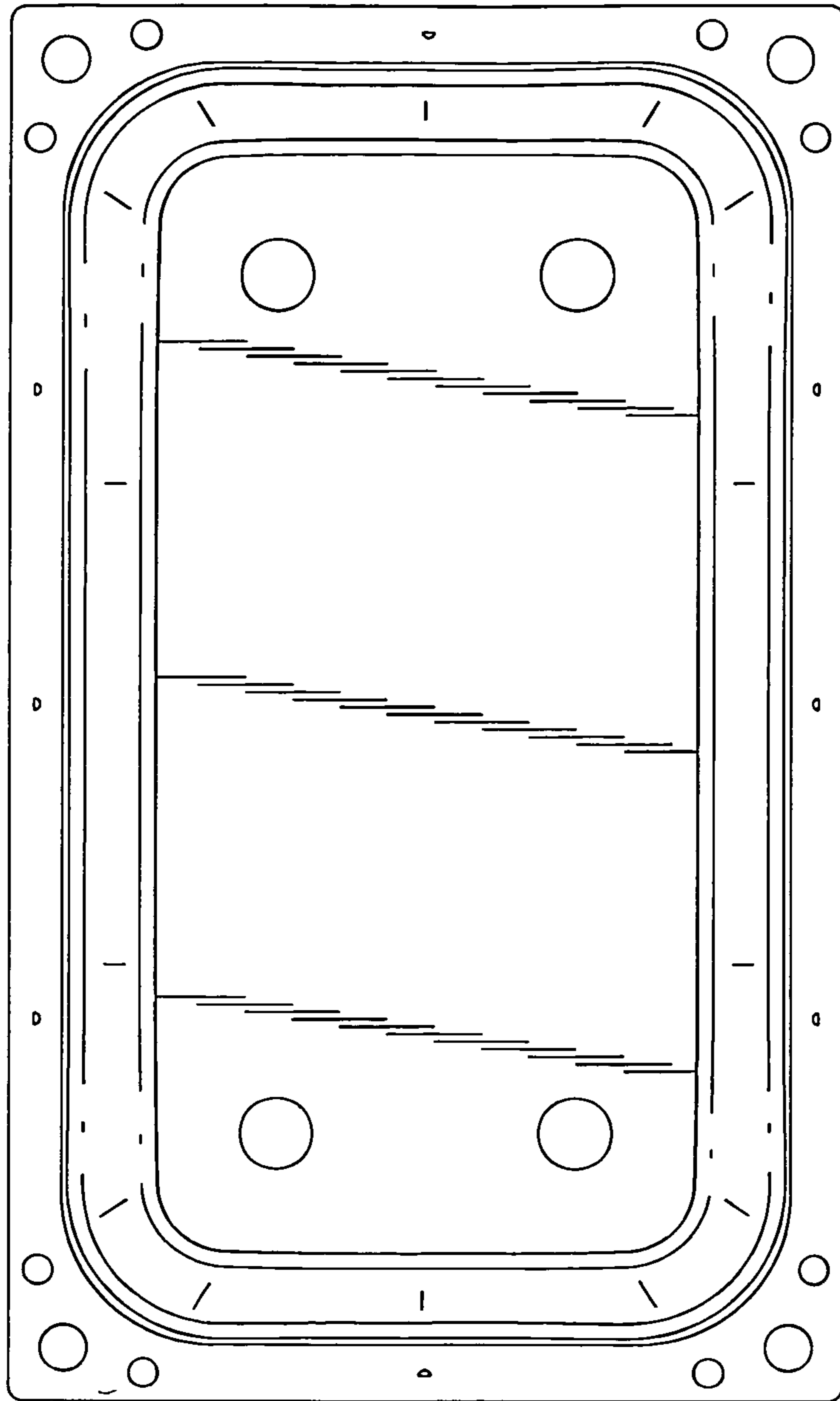


FIG.2

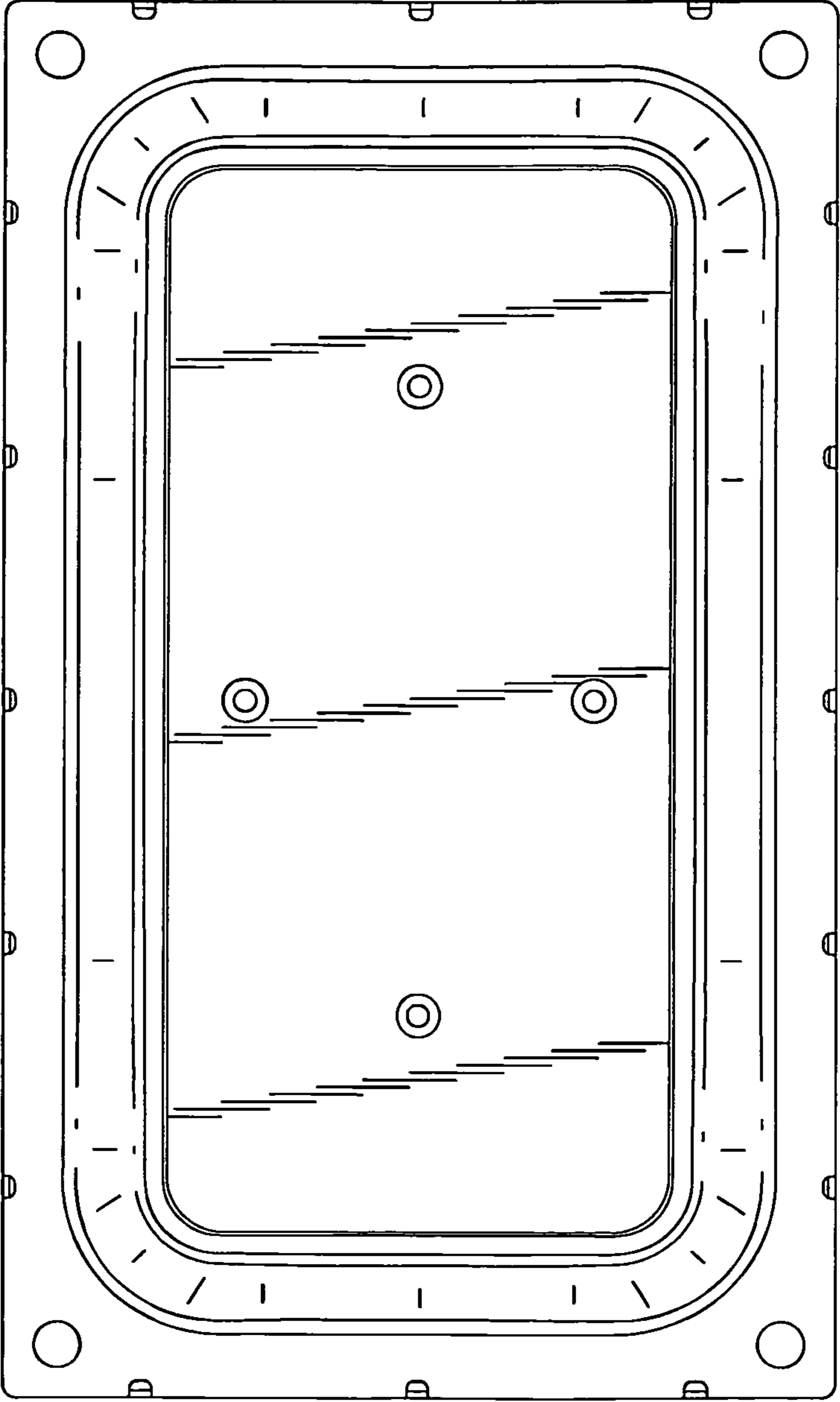


FIG.3

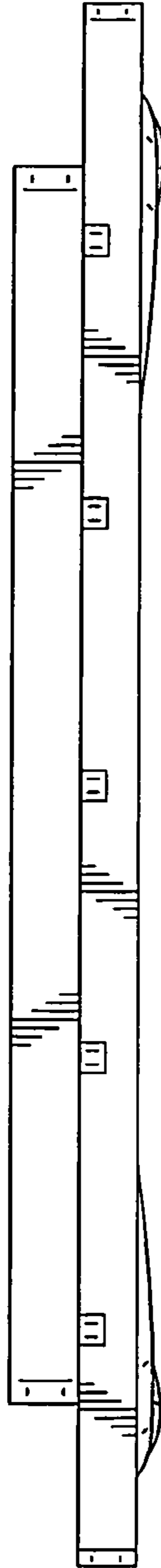


FIG.4

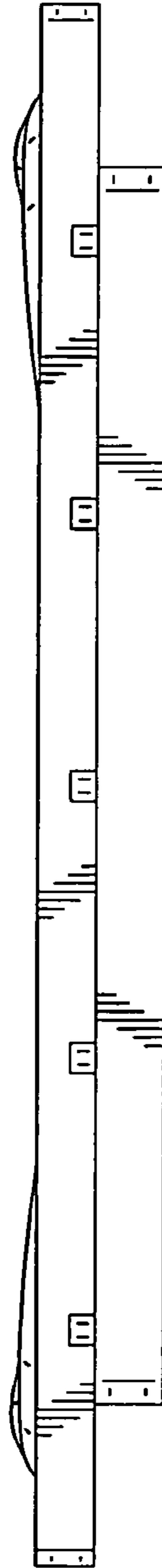


FIG.5

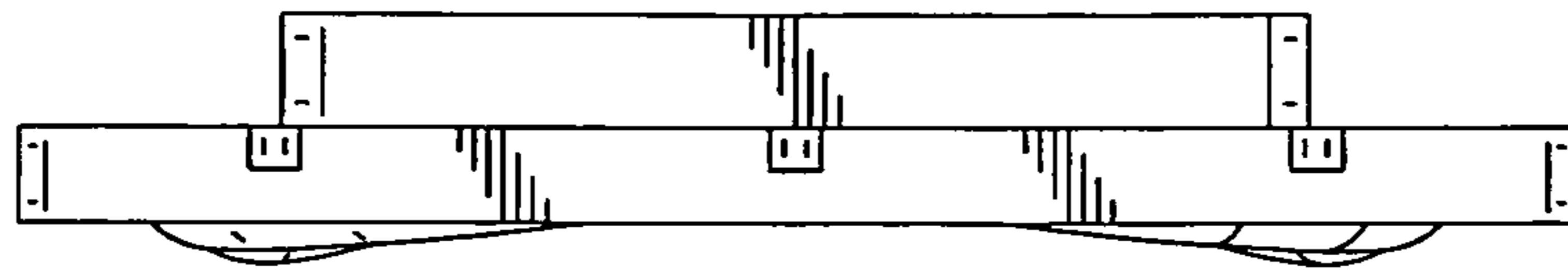


FIG.6

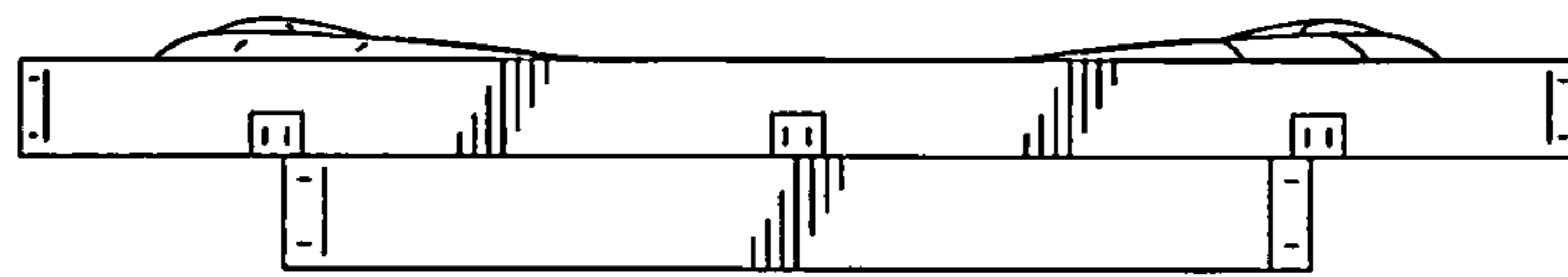


FIG.7

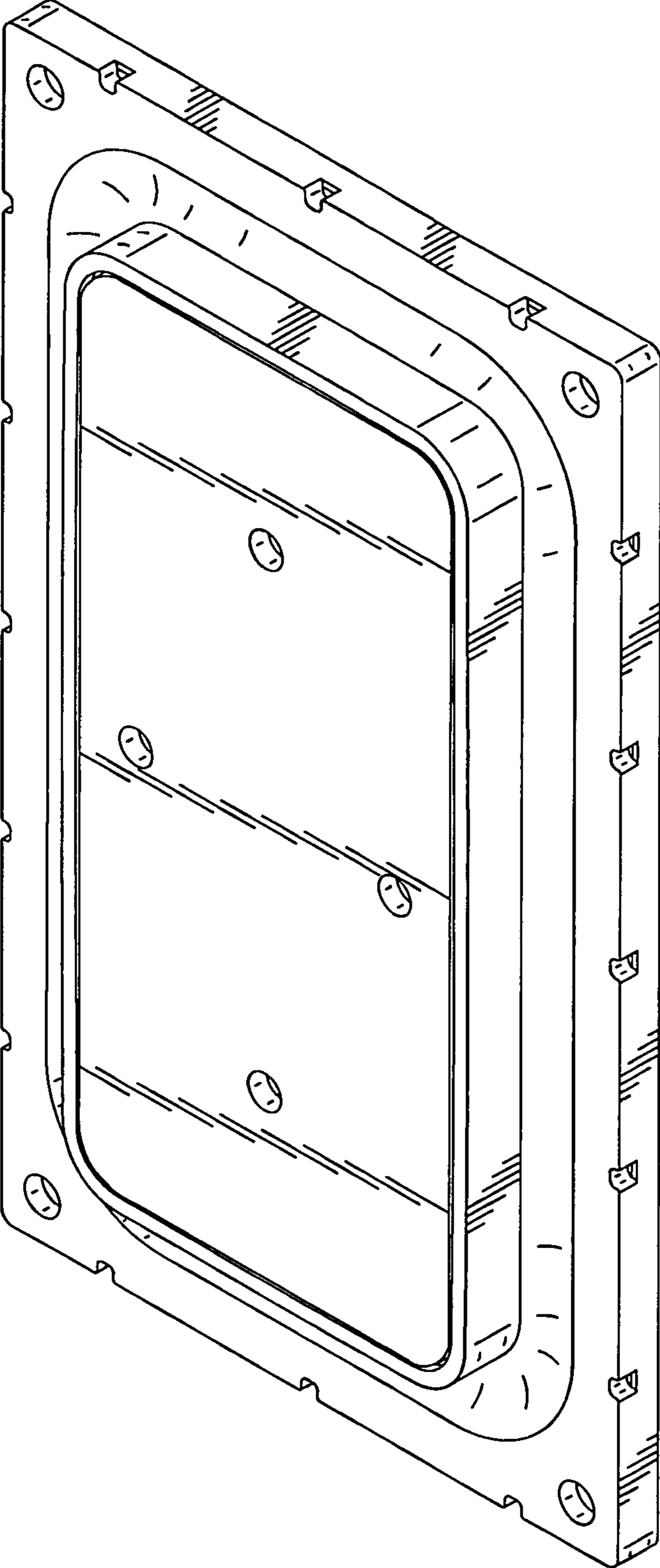


FIG.8