



US00D726793S

(12) **United States Design Patent**
von Wyl et al.

(10) **Patent No.:** **US D726,793 S**
(45) **Date of Patent:** **** Apr. 14, 2015**

(54) **WELDING MACHINE FOR PLASTIC SHEETS**

(71) Applicants: **Bruno von Wyl**, Kagiswill (CH); **Lukas Gisler**, Alpnach Dorf (CH)

(72) Inventors: **Bruno von Wyl**, Kagiswill (CH); **Lukas Gisler**, Alpnach Dorf (CH)

(73) Assignee: **Leister Technologies AG**, Kagiswil (CH)

(**) Term: **14 Years**

(21) Appl. No.: **29/490,529**

(22) Filed: **May 10, 2014**

(30) **Foreign Application Priority Data**

Mar. 13, 2014 (EM) 002424697-0001

(51) **LOC (10) Cl.** **15-09**

(52) **U.S. Cl.**
USPC **D15/144**

(58) **Field of Classification Search**
USPC D8/29.1, 30; D15/144, 144.1, 144.2;
219/125.1, 130, 130.5, 132, 133, 241,
219/424, 606; 222/146.5, 152, 156, 189.06,
222/397; 228/8, 20, 51, 111.5
See application file for complete search history.

(56) **References Cited**

U.S. PATENT DOCUMENTS

D243,459 S * 2/1977 Bliss D15/144
D275,293 S * 8/1984 Bouman D15/144
D357,263 S * 4/1995 Soderholm D15/144.2

D357,927 S * 5/1995 Soderholm D15/144.1
D416,030 S * 11/1999 Weller et al. D15/144.1
D434,428 S * 11/2000 Krieck D15/144.2
D445,812 S * 7/2001 Shimizu et al. D15/144
6,870,131 B2 * 3/2005 Achtner et al. 219/130.1
7,241,973 B1 * 7/2007 Di Novo et al. 219/137.9
D556,798 S * 12/2007 Franco D15/144
D558,803 S * 1/2008 Gisler et al. D15/144
D569,883 S * 5/2008 Wang D15/144
D569,884 S * 5/2008 Shu D15/144
D606,102 S * 12/2009 Bender et al. D15/144
D621,430 S * 8/2010 Christen et al. D15/144
D652,436 S * 1/2012 Ostlund et al. D15/144
D665,833 S * 8/2012 Raymond et al. D15/144
D679,738 S * 4/2013 Segala D15/144
8,431,863 B2 * 4/2013 Kindig 219/130.1
D709,934 S * 7/2014 Ross et al. D15/144.2
8,794,290 B2 * 8/2014 Hamlin, III 156/499

* cited by examiner

Primary Examiner — Patricia Palasik

(74) *Attorney, Agent, or Firm* — Cascio & Zervas

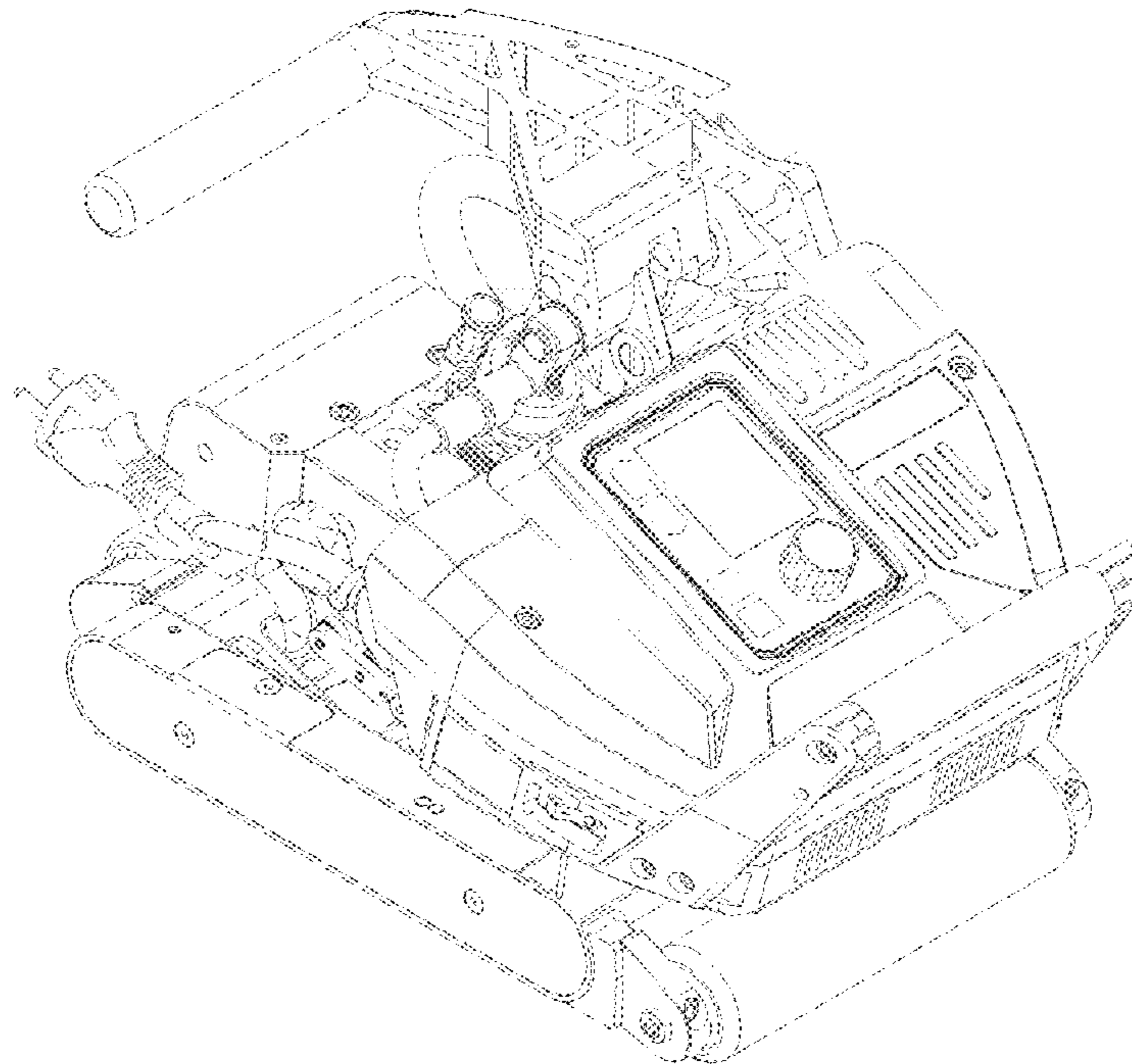
(57) **CLAIM**

The ornamental design for a welding machine for plastic sheets, as shown and described.

DESCRIPTION

FIG. 1 is a front perspective view of a welding machine for plastic sheets showing our design;
FIG. 2 is a left side elevational view thereof;
FIG. 3 is a right side elevational view thereof;
FIG. 4 is a front elevational view thereof;
FIG. 5 is a rear elevational view thereof; and,
FIG. 6 is a top plan view thereof.

1 Claim, 3 Drawing Sheets



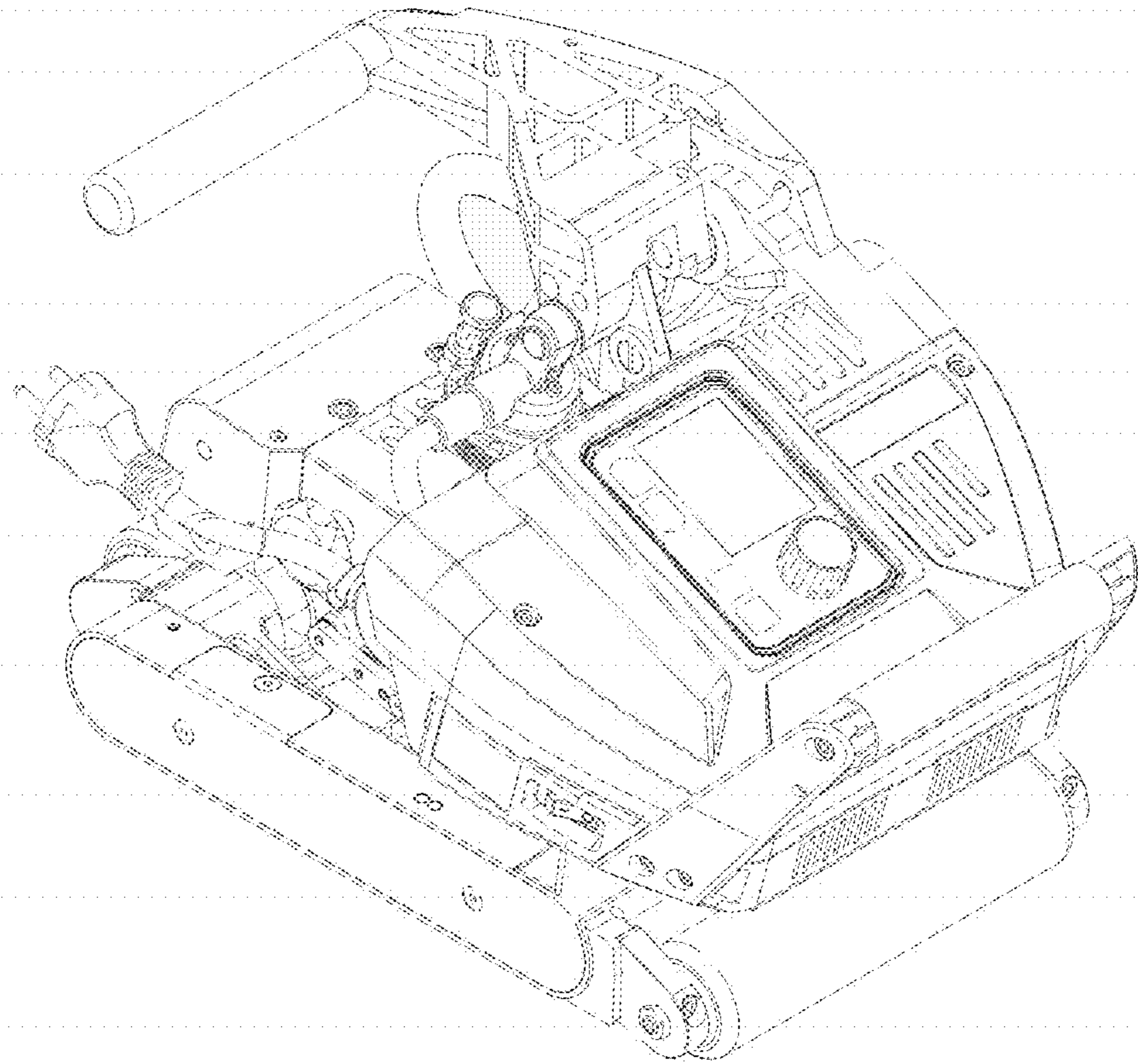


FIG. 1

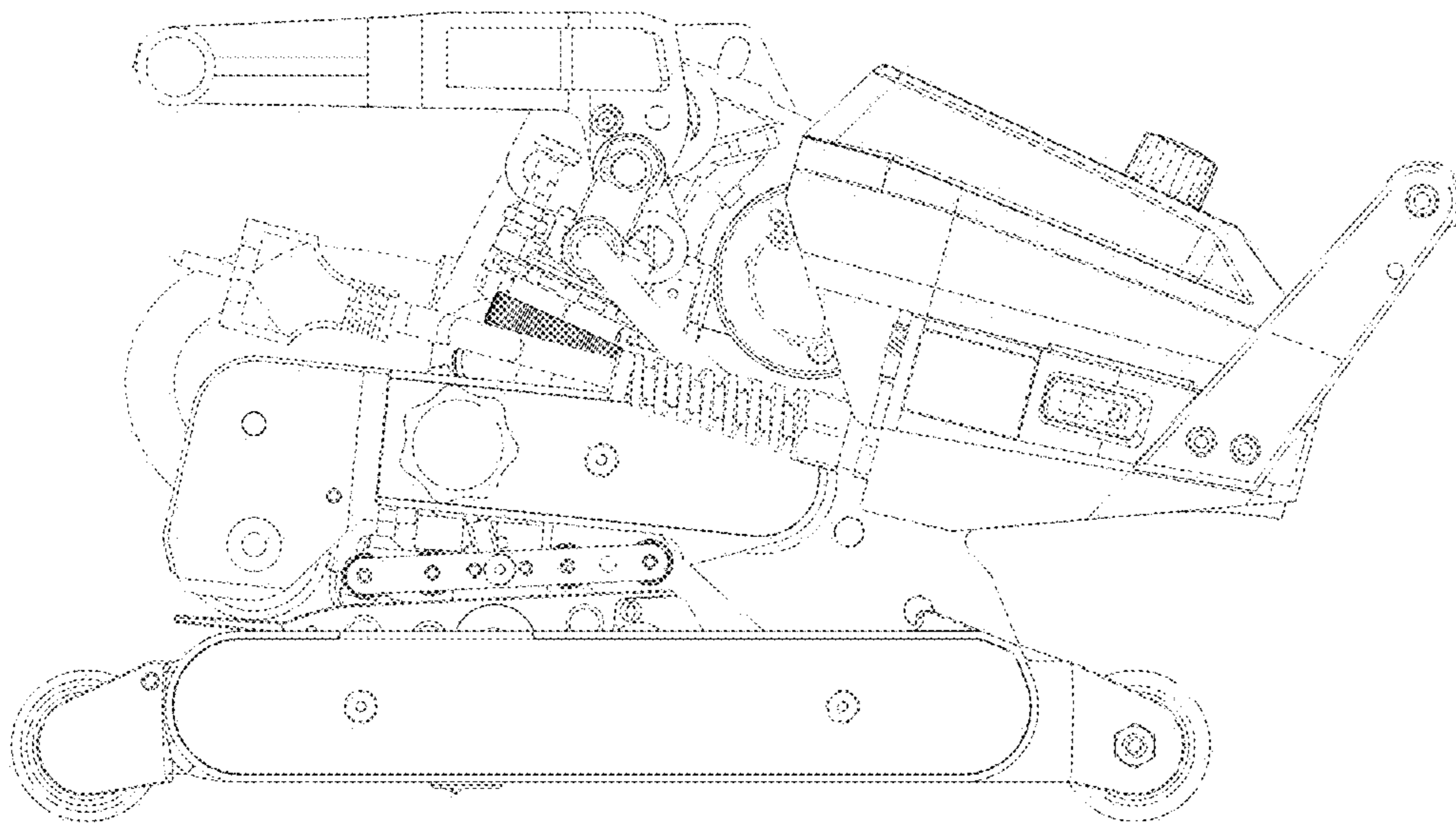


FIG. 2

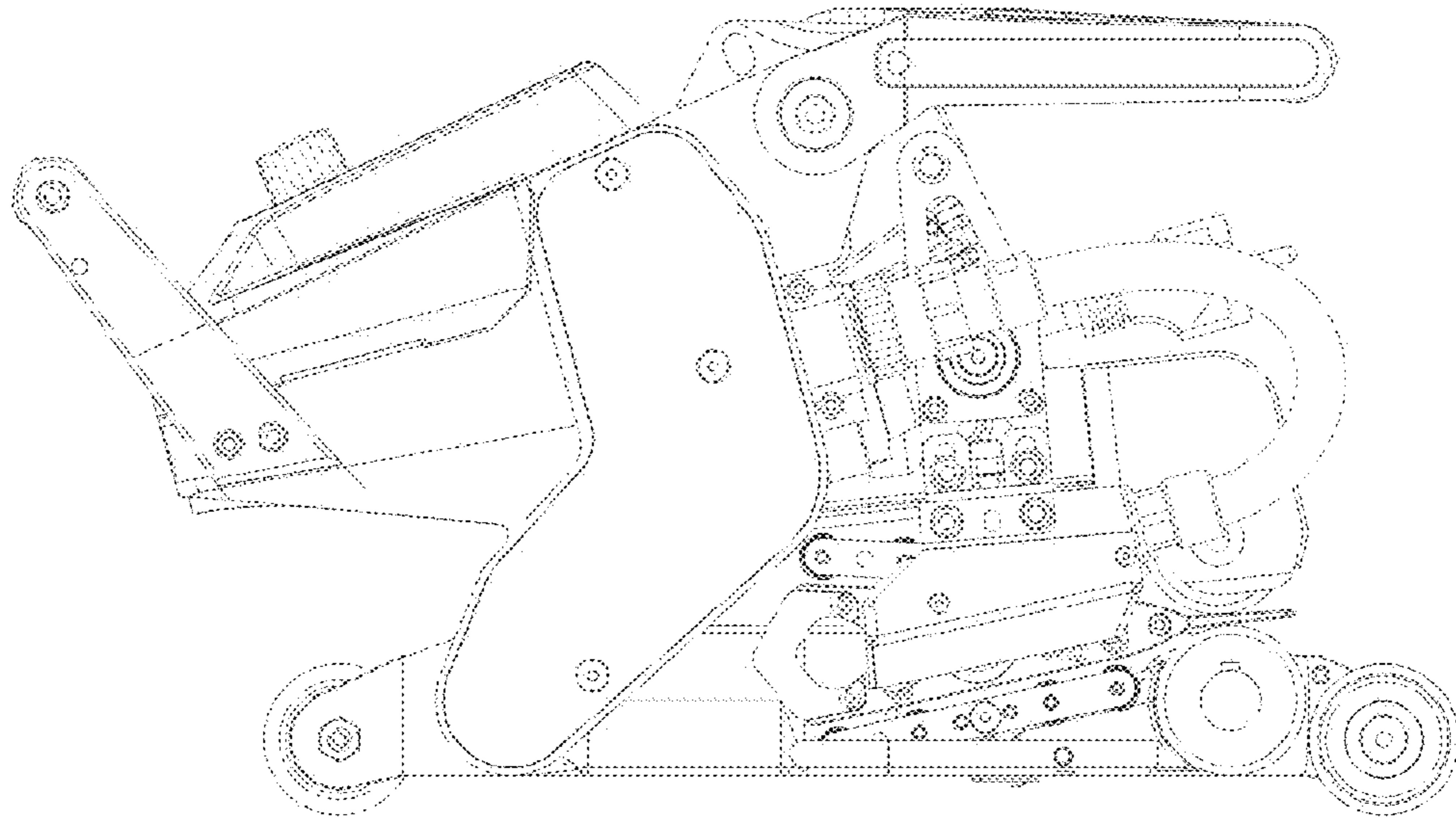


FIG. 3

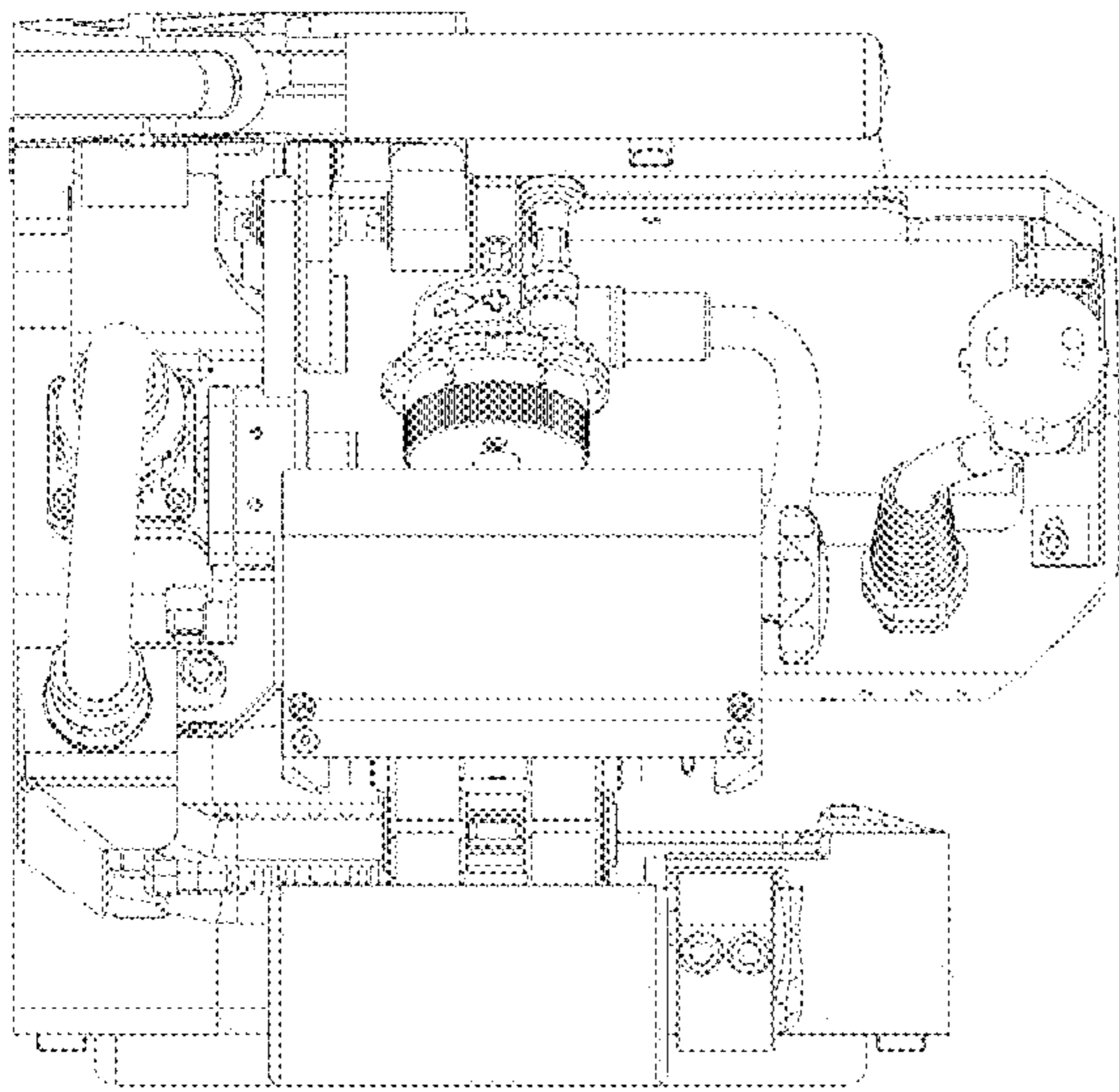


FIG. 4

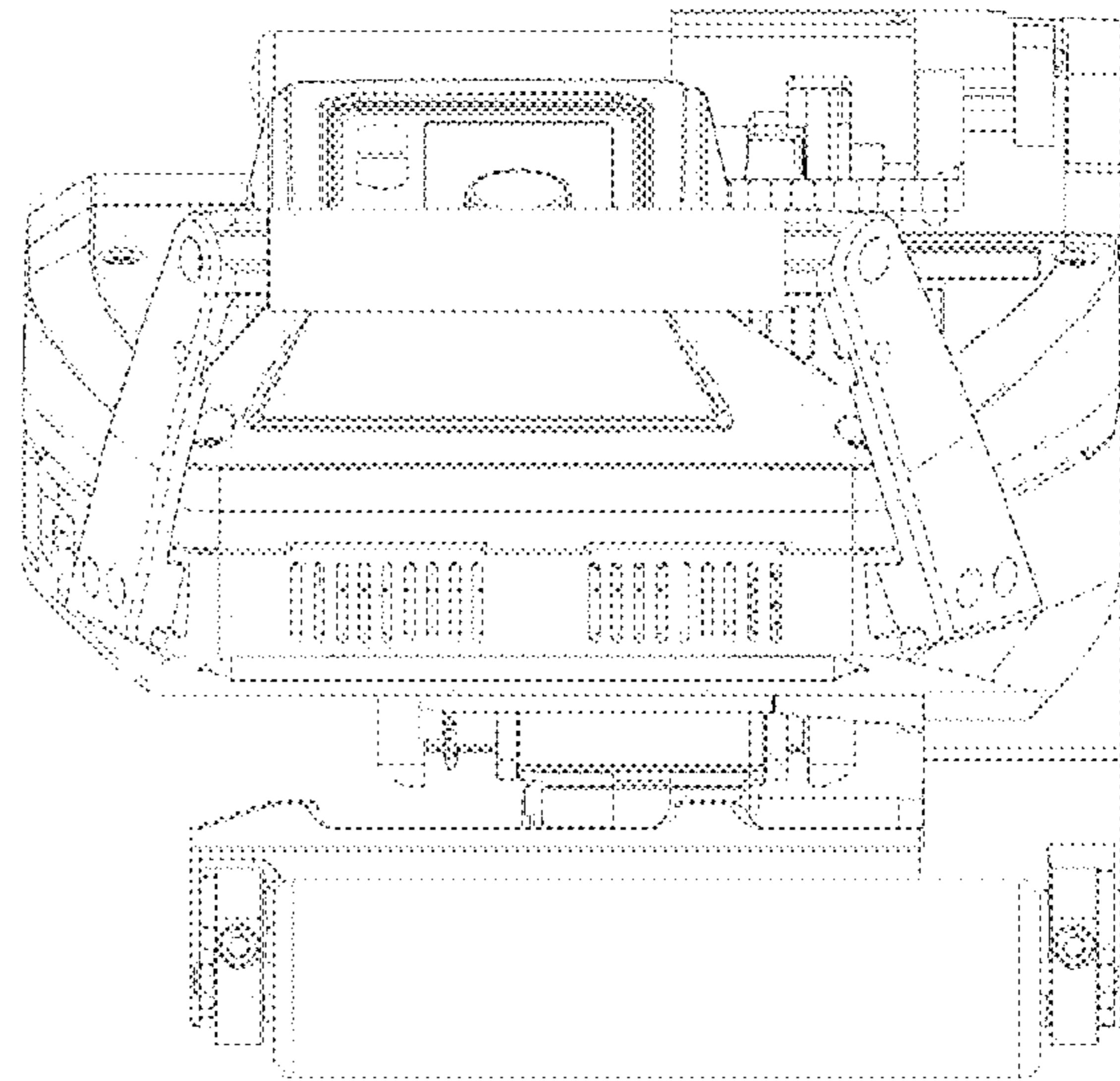


FIG. 5

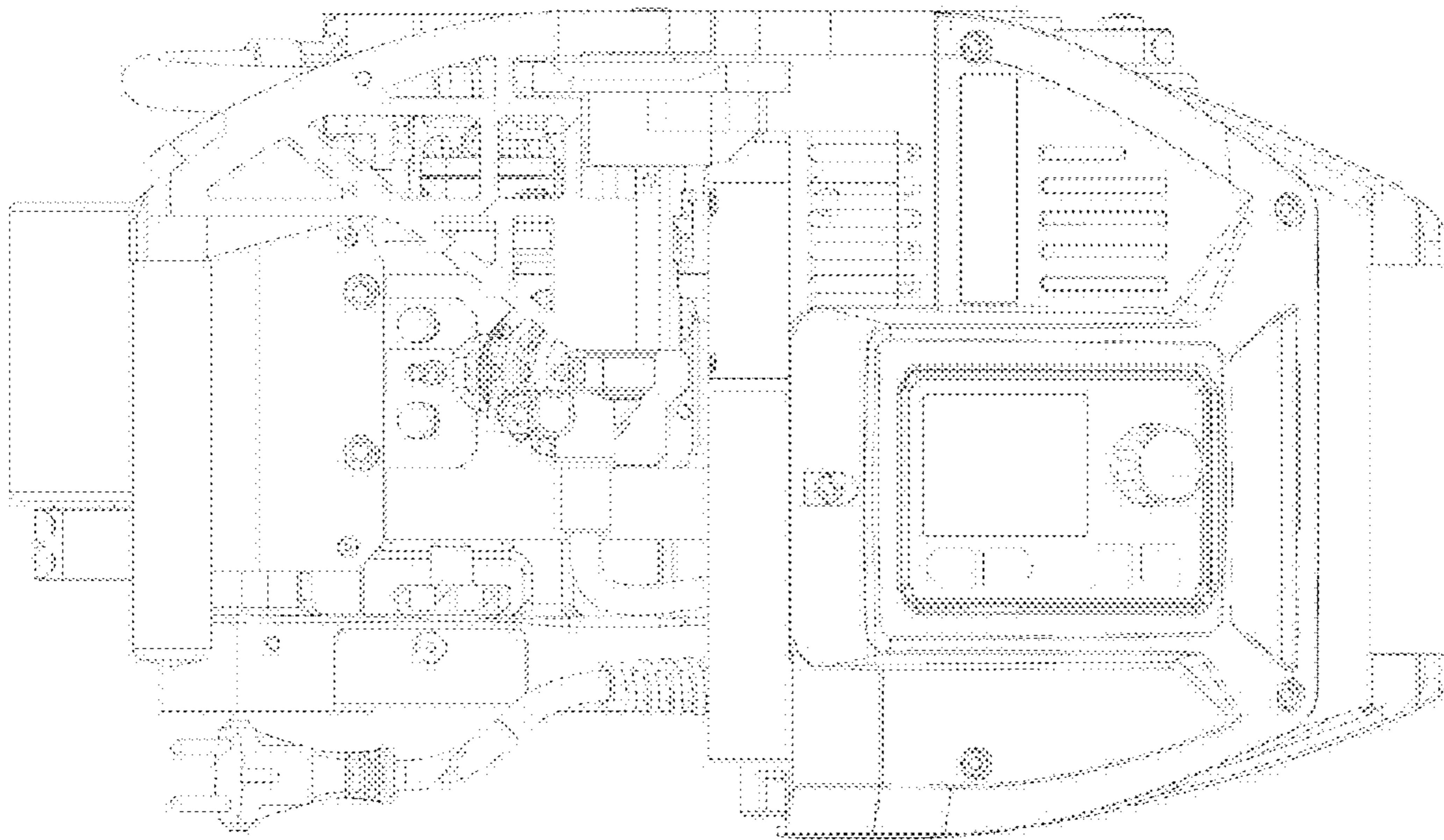


FIG. 6