

US00D726791S

(12) **United States Design Patent**
McGarry

(10) **Patent No.:** **US D726,791 S**
(45) **Date of Patent:** **** Apr. 14, 2015**

(54) **TRIANGULAR GLASS TROUGH MOLD**

(71) Applicant: **Susan McGarry**, Fairfield, CA (US)

(72) Inventor: **Susan McGarry**, Fairfield, CA (US)

(**) Term: **14 Years**

(21) Appl. No.: **29/447,716**

(22) Filed: **Mar. 6, 2013**

(51) **LOC (10) Cl.** **15-09**

(52) **U.S. Cl.**
USPC **D15/136**

(58) **Field of Classification Search**
USPC D15/135, 136, 137; D32/53.1; 249/62,
249/144, 152, 175, 178, 184
See application file for complete search history.

(56) **References Cited**

U.S. PATENT DOCUMENTS

339,694	A *	4/1886	Rine	119/61.4
D114,685	S *	5/1939	Mikesell	D7/550.1
D271,954	S *	12/1983	Neil	D11/156
D316,010	S *	4/1991	Guy	D7/553.3
5,195,281	A *	3/1993	Kosko	52/11
D364,253	S *	11/1995	Pianella	D32/53.1
6,279,867	B1 *	8/2001	Knarr	249/62
D561,963	S *	2/2008	Pedros	D32/53.1
D643,647	S *	8/2011	Owen et al.	D6/403
8,365,462	B2 *	2/2013	Licamele et al.	47/1.4
D682,637	S *	5/2013	Licamele	D8/1
D706,548	S *	6/2014	Laudon et al.	D6/403

OTHER PUBLICATIONS

www.sunshineglass.com/rcol/b_fusing/molds-kaleidoscope-jewelry-36.htm—1997-2014.*

www.sundanceglass.com/pattern-bar.htm—2008.*

www.delphiglass.com/glass-molds/stainless-stell-molds/12-1-4-stainless-stell-triangulr 2014 Delphi.*

* cited by examiner

Primary Examiner — Patricia Palasik

(74) *Attorney, Agent, or Firm* — David E. Newhouse, Esq.

(57) **CLAIM**

The ornamental design for a triangular glass trough mold, as shown and described.

DESCRIPTION

FIG. 1 is a top right side perspective view of the triangular glass trough mold viewed obliquely from the right above the mold.

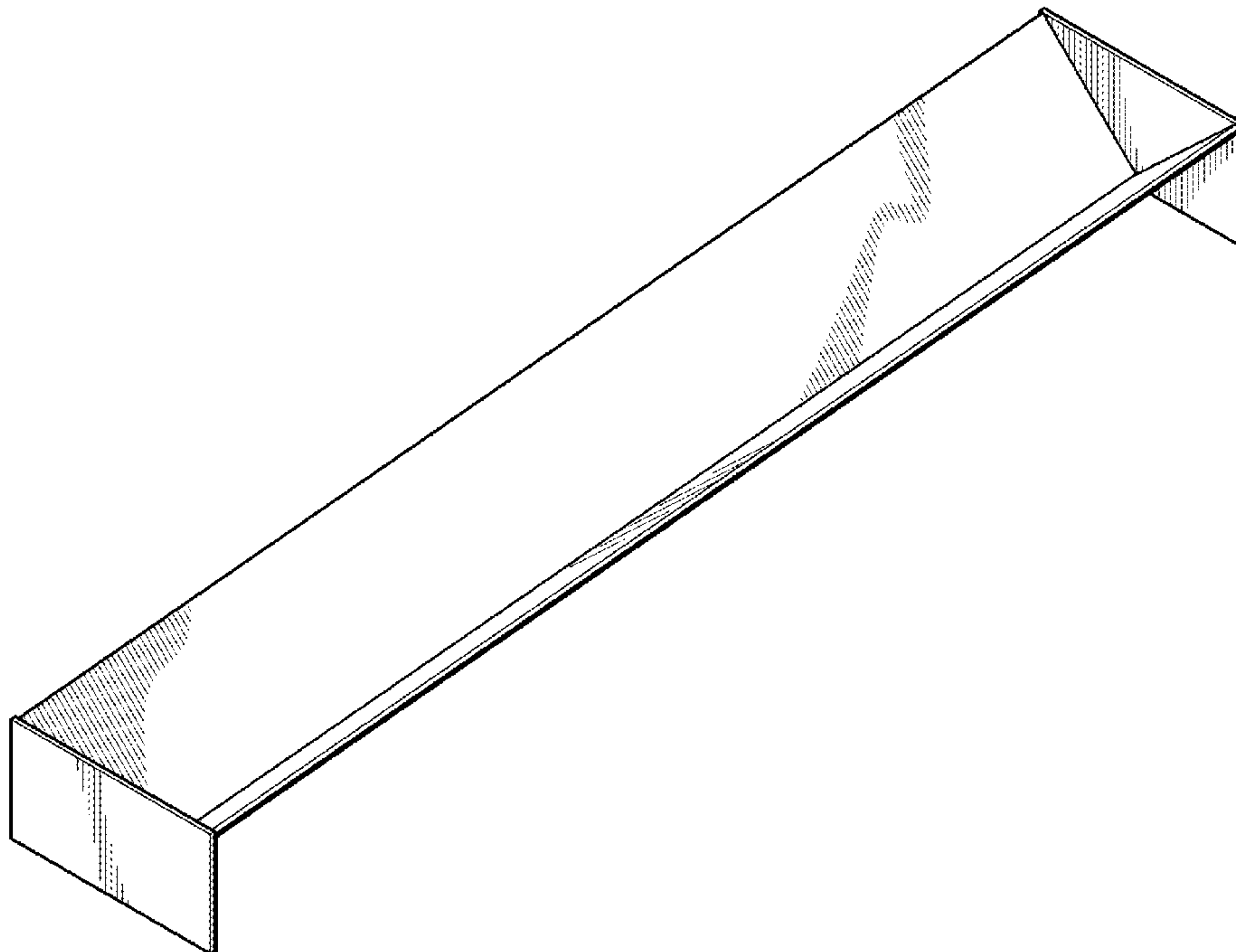
FIG. 2 is a top view of the triangular glass trough mold.

FIG. 3 is a front/back end view of the triangular glass trough mold.

FIG. 4 is a left/right side elevation plan view of the triangular glass trough mold; and,

FIG. 5 is bottom plan view of the triangular glass trough mold.

1 Claim, 3 Drawing Sheets



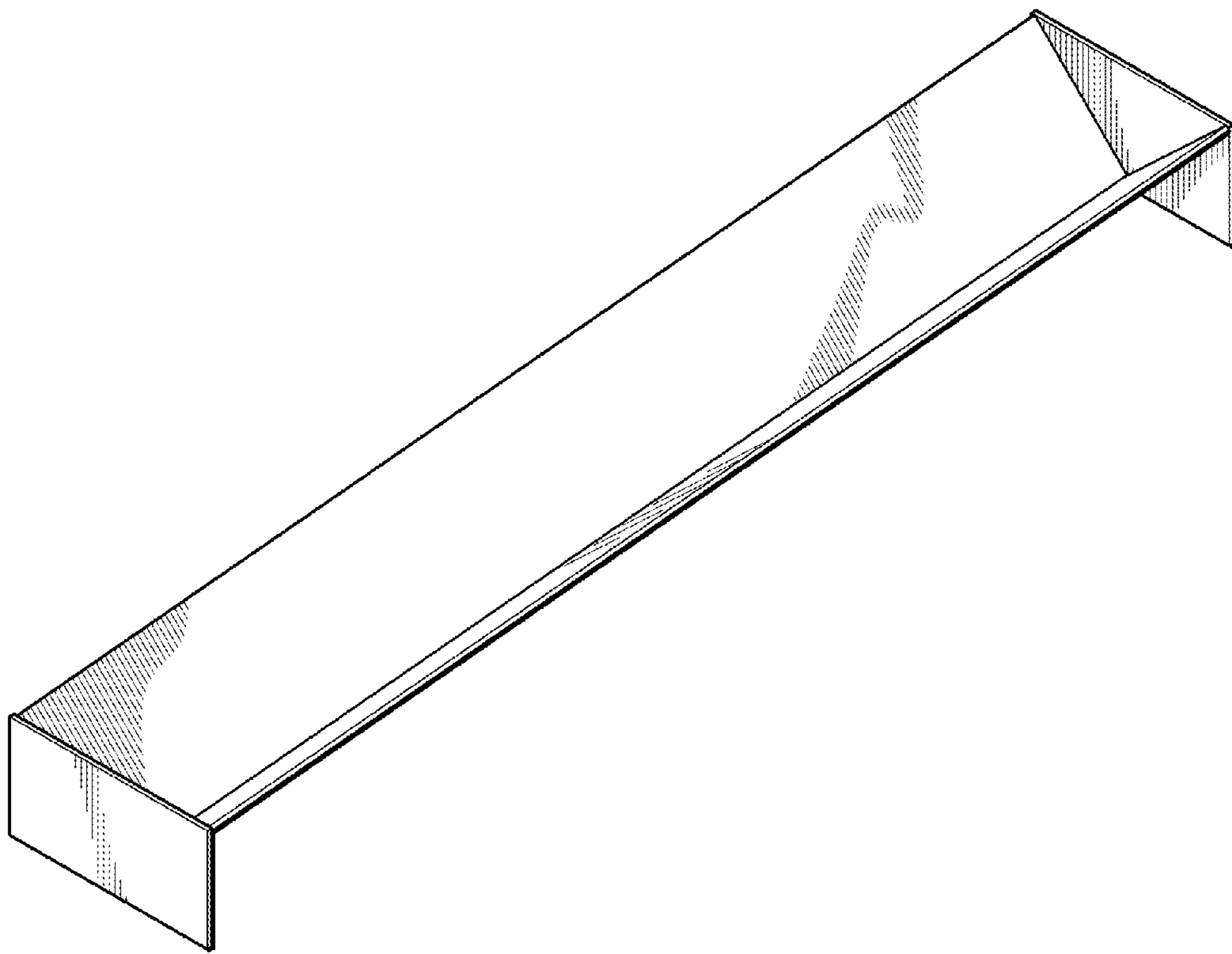


FIG. 1

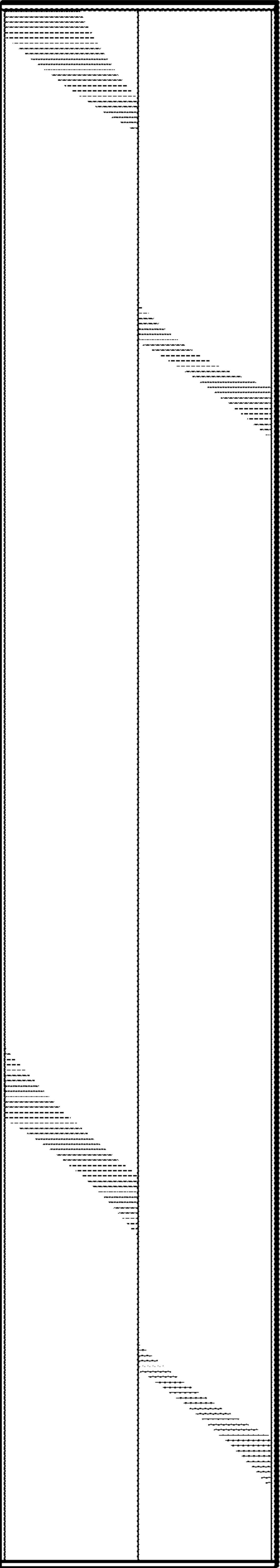


FIG. 2

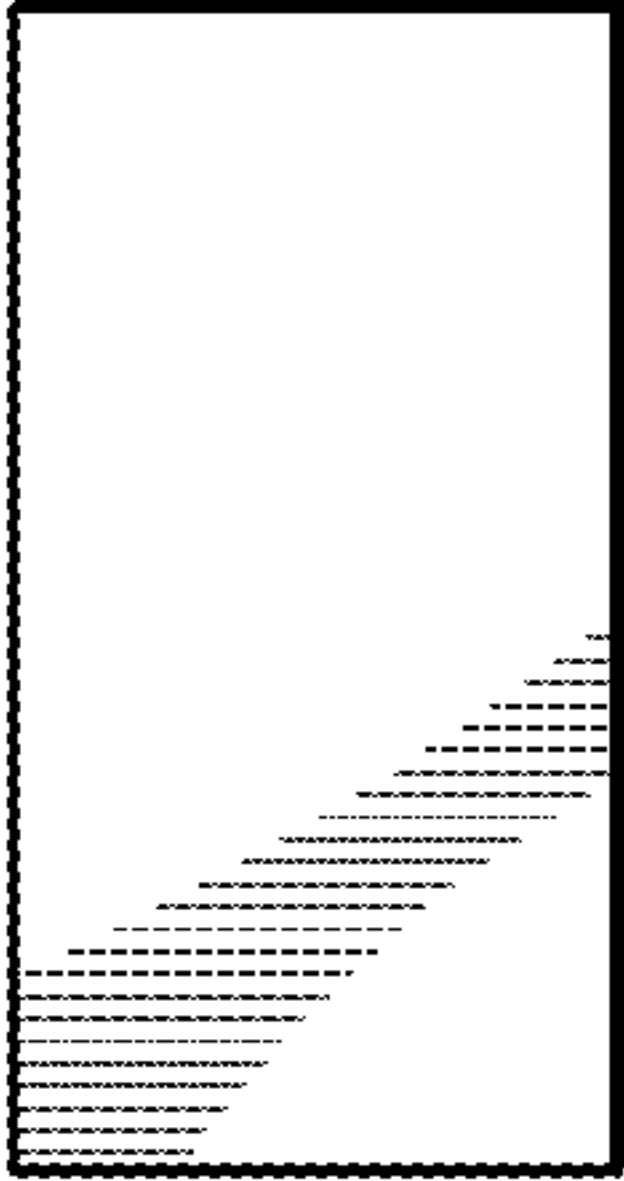


FIG. 3

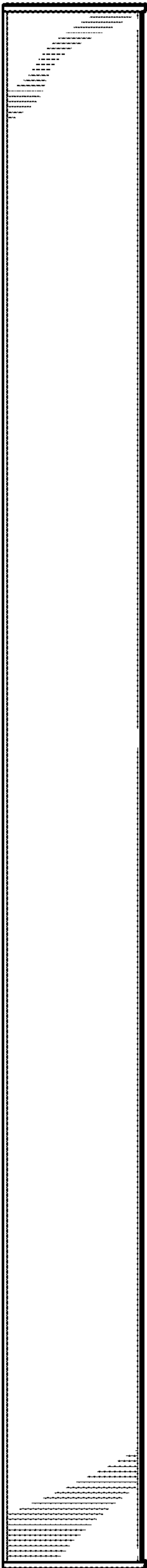


FIG. 4

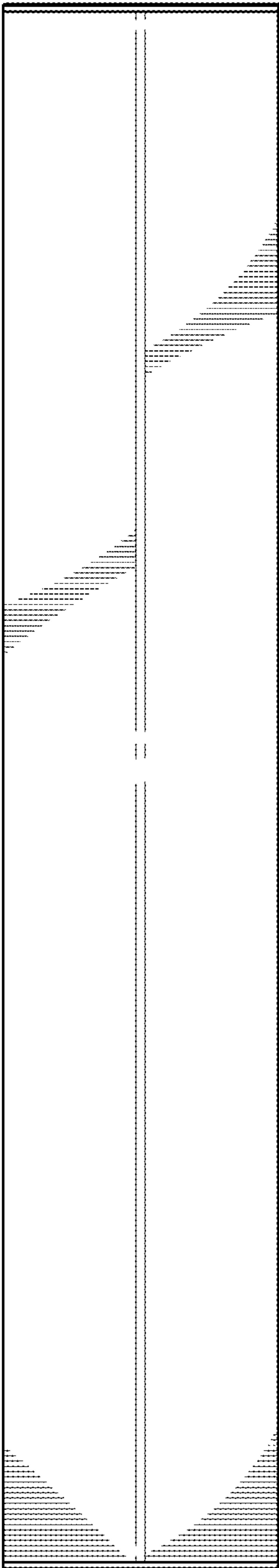


FIG. 5