



US00D726790S

(12) **United States Design Patent**  
**Johansson**

(10) **Patent No.:** **US D726,790 S**

(45) **Date of Patent:** **\*\* Apr. 14, 2015**

(54) **LINEAR CUTTER**

(56)

**References Cited**

(71) Applicant: **Konstruktion 123456 AB**, Karlstad (SE)

U.S. PATENT DOCUMENTS

(72) Inventor: **Patrik Johansson**, Karlstad (SE)

D477,521	S	*	7/2003	Tarpill et al.	.....	D8/98
D491,779	S	*	6/2004	Guiette et al.	.....	D8/51
6,953,036	B2	*	10/2005	Ishii	.....	125/23.02
D649,847	S	*	12/2011	Zagula	.....	D8/14
D691,442	S	*	10/2013	Hamaguchi	.....	D8/51

(73) Assignee: **Alfa Neon Skyltfabrik AB**, Kil (SE)

\* cited by examiner

(\*\*) Term: **14 Years**

*Primary Examiner* — Patricia Palasik

(21) Appl. No.: **29/494,052**

(74) *Attorney, Agent, or Firm* — Jeffrey S. Melcher; Manelli Selter PLLC

(22) Filed: **Jun. 17, 2014**

(57) **CLAIM**

The ornamental design for a linear cutter, as shown and described.

(30) **Foreign Application Priority Data**

**DESCRIPTION**

Dec. 18, 2013 (WO) ..... DM/082 515

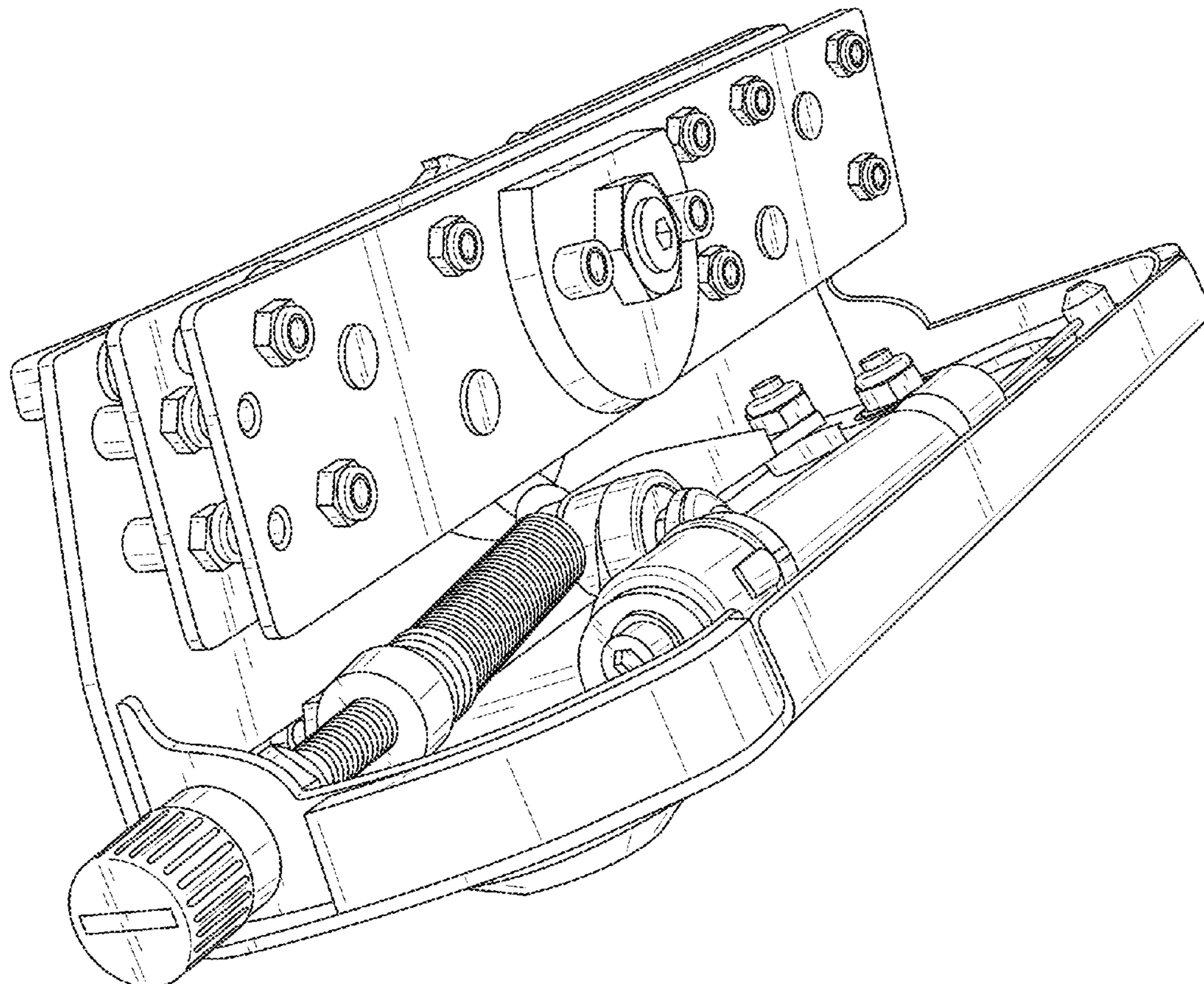
(51) **LOC (10) Cl.** ..... **15-09**

(52) **U.S. Cl.**  
USPC ..... **D15/127**

(58) **Field of Classification Search**  
USPC ..... D8/51, 98; D15/127, 133, 139  
See application file for complete search history.

FIG. 1 is a perspective view of the linear cutter;  
FIG. 2 is a front view of the linear cutter;  
FIG. 3 is a back view of the linear cutter;  
FIG. 4 is a left side view of the linear cutter;  
FIG. 5 is a right side view of the linear cutter;  
FIG. 6 is a top view of the linear cutter; and,  
FIG. 7 is a bottom view of the linear cutter.

**1 Claim, 7 Drawing Sheets**



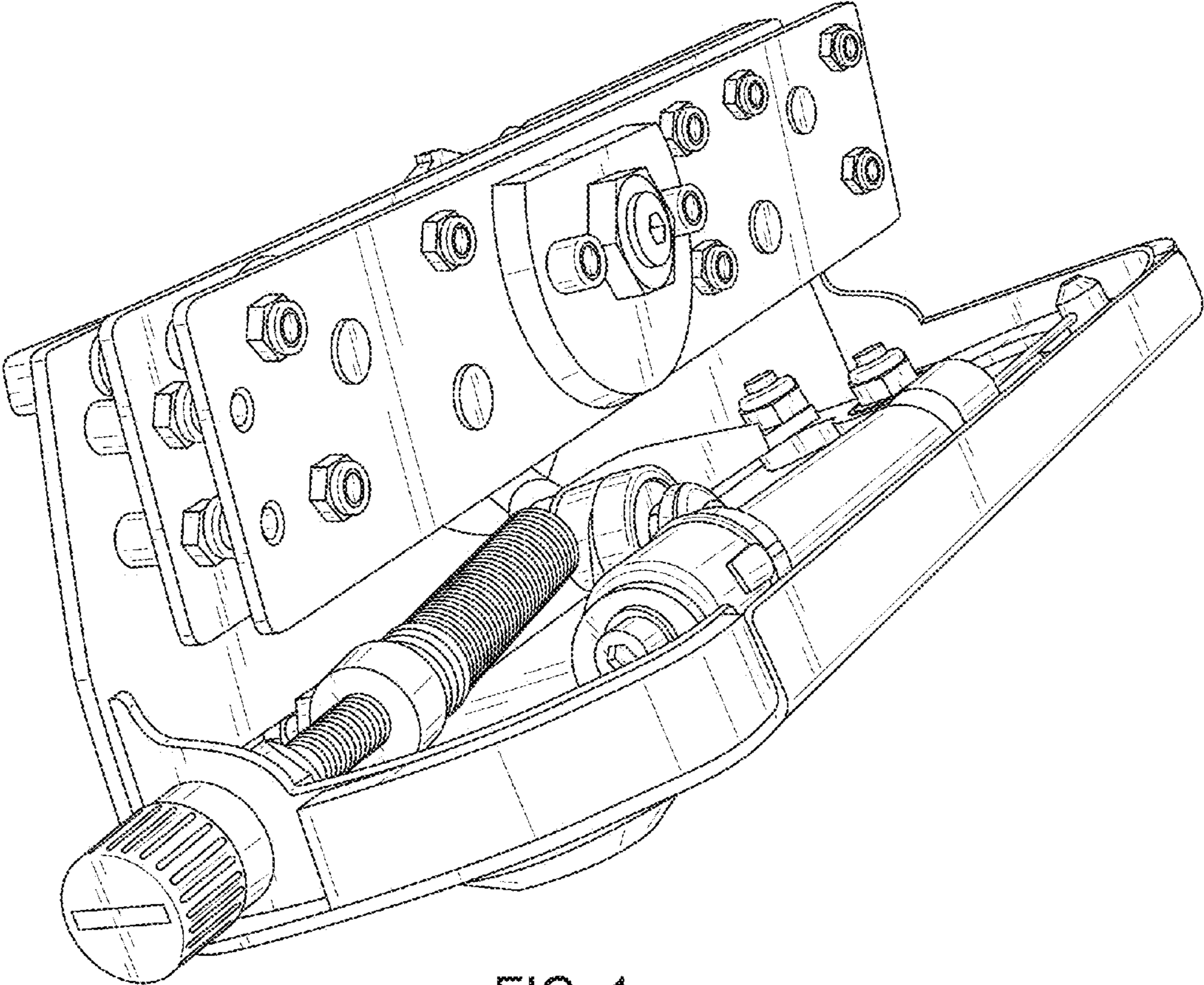


FIG. 1

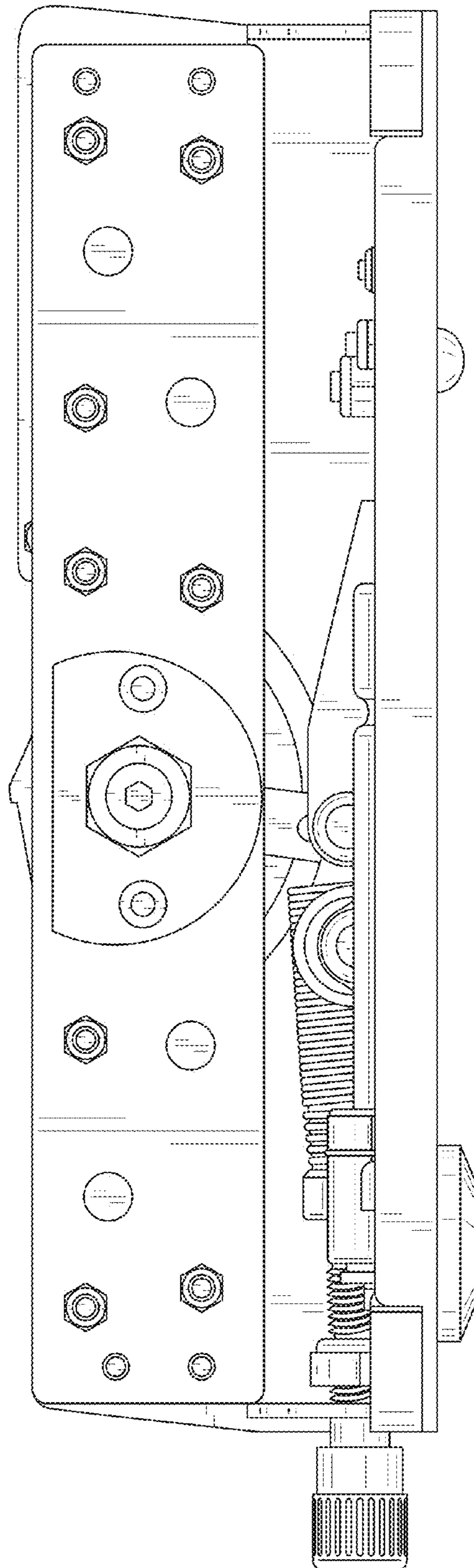


FIG. 2

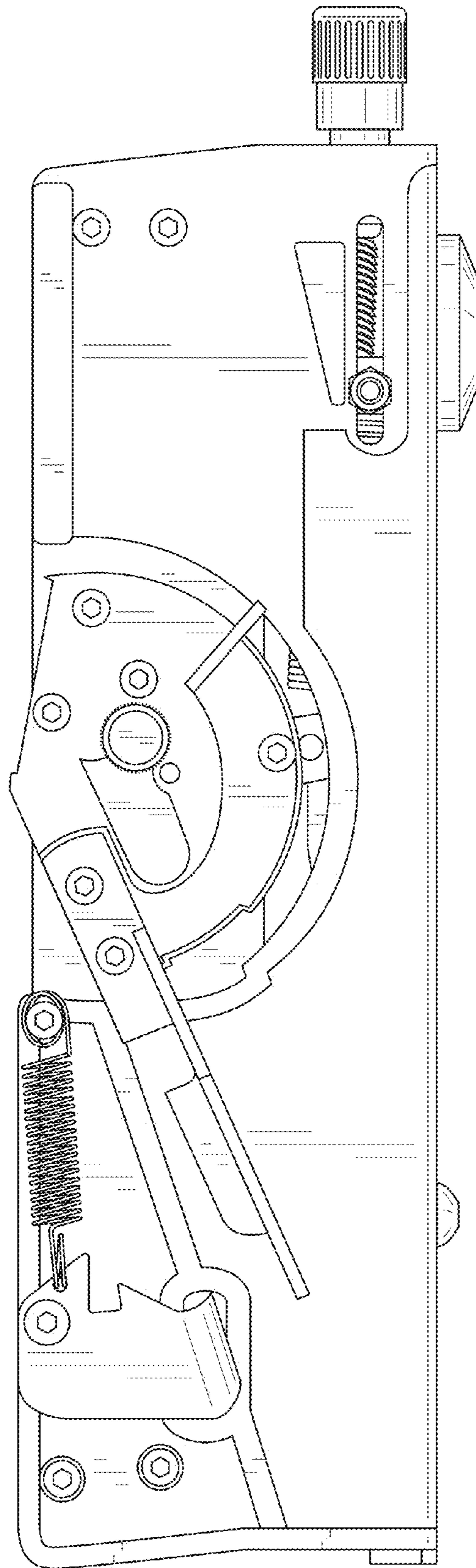


FIG. 3

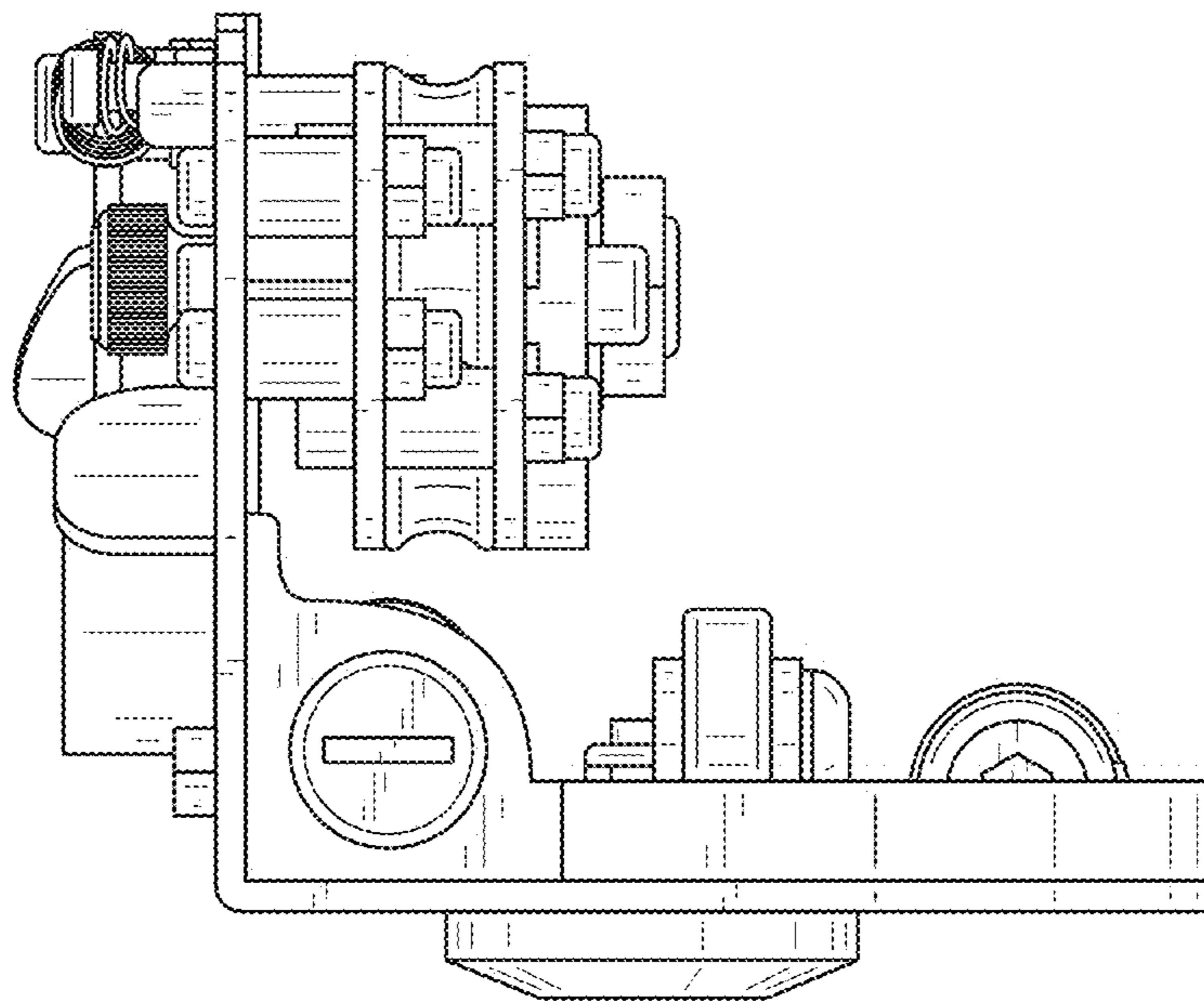


FIG. 4

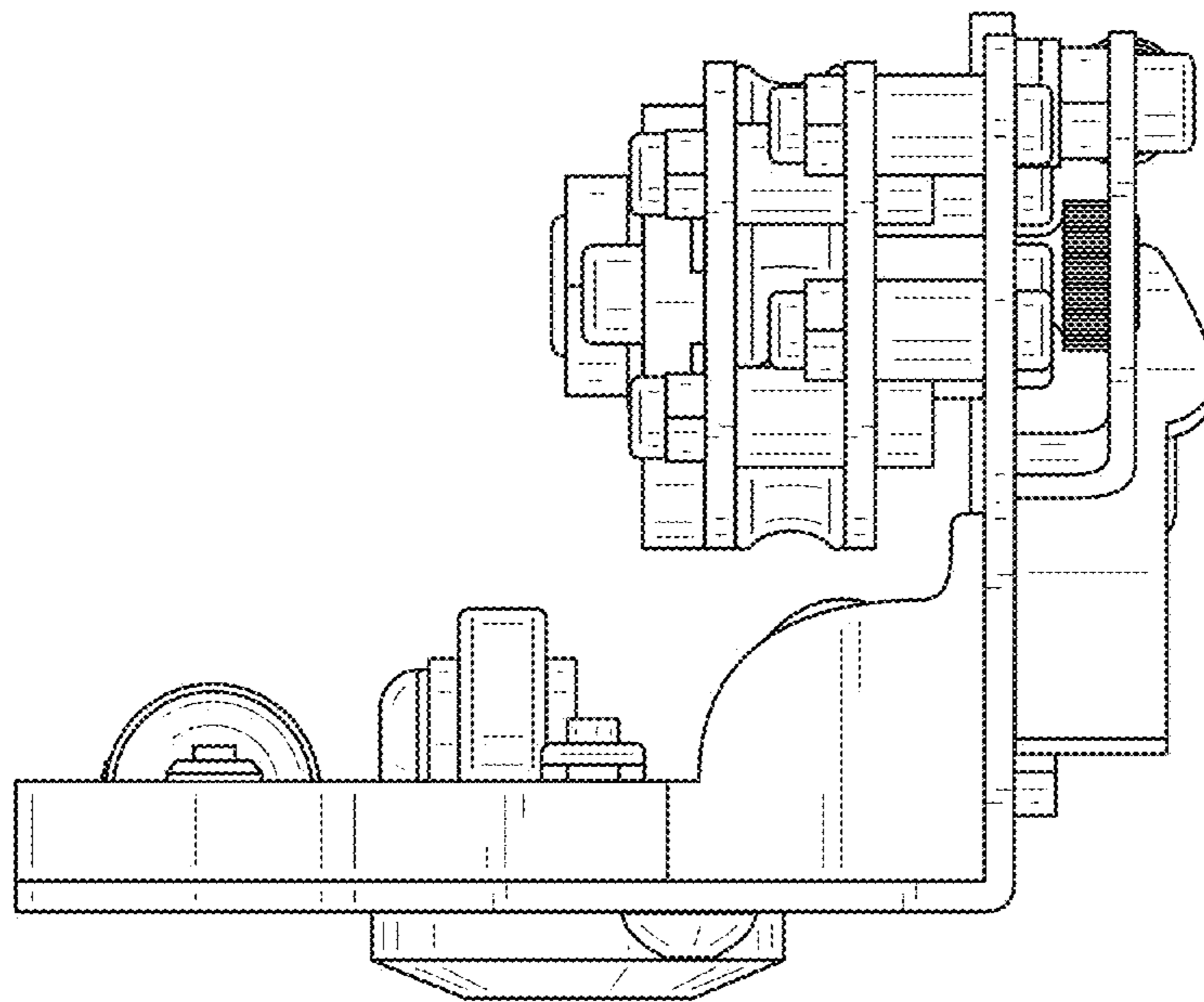


FIG. 5

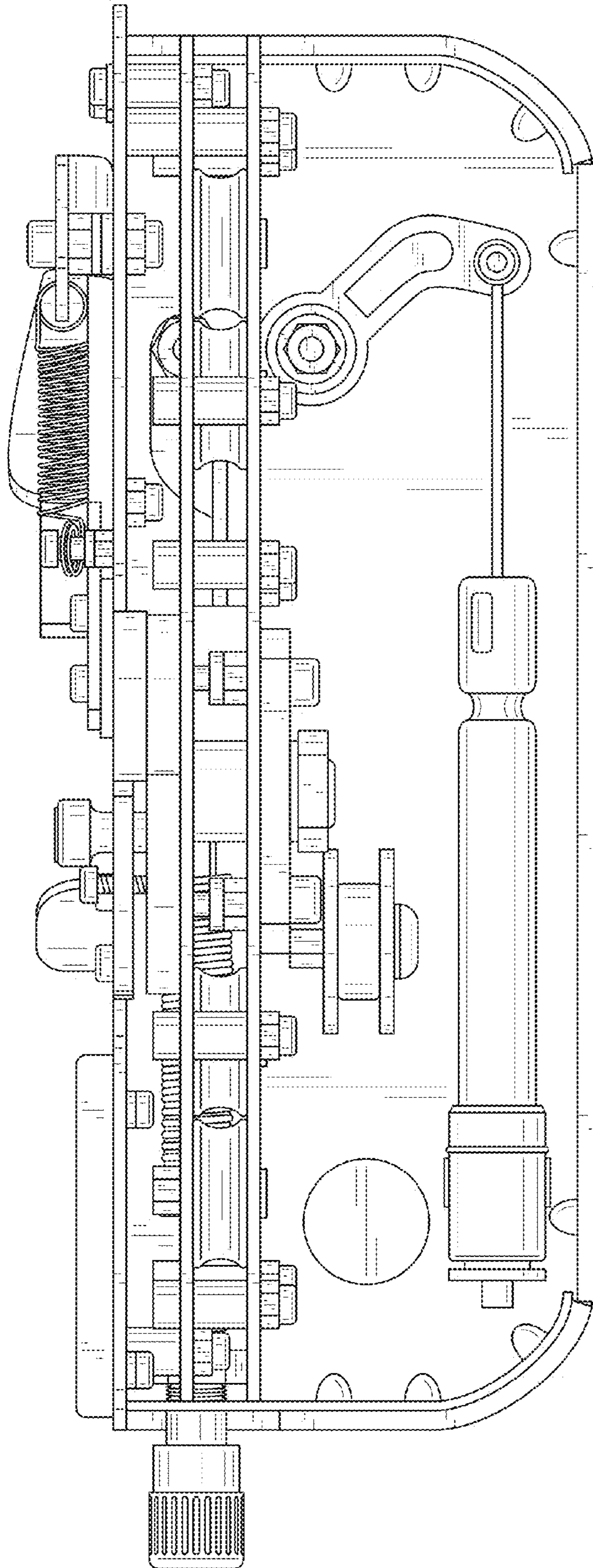


FIG. 6

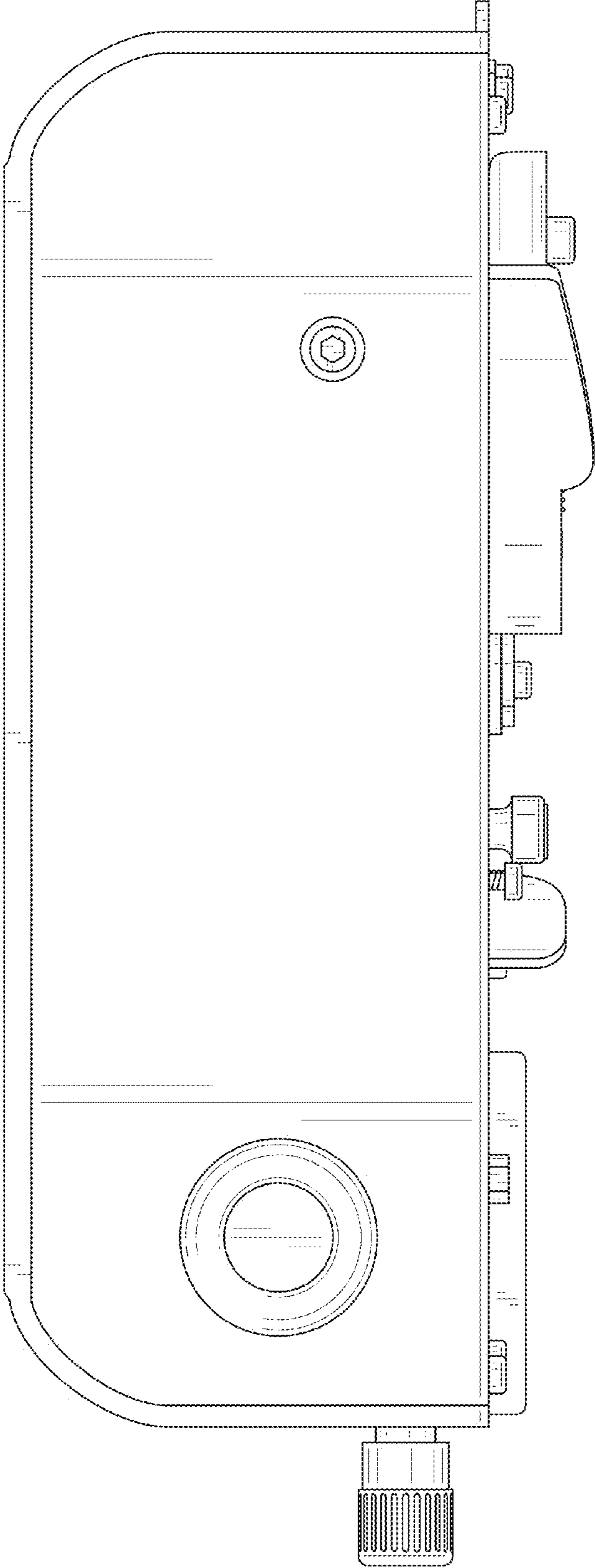


FIG. 7