



US00D726784S

(12) **United States Design Patent**  
**Kotian et al.**

(10) **Patent No.:** **US D726,784 S**

(45) **Date of Patent:** **\*\* Apr. 14, 2015**

(54) **EXHAUST GAS RECIRCULATION COOLER**

(71) Applicant: **General Electric Company**,  
Schenectady, NY (US)

(72) Inventors: **Roshan Shekhar Kotian**, Lawrence  
Park, PA (US); **Shashi Kiran**, Lawrence  
Park, PA (US); **Eric David Peters**,  
Lawrence Park, PA (US)

(73) Assignee: **General Electric Company**,  
Schenectady, NY (US)

(\*\*) Term: **14 Years**

(21) Appl. No.: **29/462,618**

(22) Filed: **Aug. 6, 2013**

(51) **LOC (10) Cl.** ..... **15-07**

(52) **U.S. Cl.**  
USPC ..... **D15/79; D15/5**

(58) **Field of Classification Search**  
USPC ..... D15/1, 3, 5, 79; 55/337; 123/41.67,  
123/568.2, 198 E; 418/91; 60/299, 274, 324  
See application file for complete search history.

(56) **References Cited**

**U.S. PATENT DOCUMENTS**

D259,934 S \* 7/1981 Lovret ..... D15/5  
4,436,145 A 3/1984 Manfredo et al.

D289,401 S \* 4/1987 Yew et al. .... D15/5  
6,263,962 B1 7/2001 Komoda et al.  
D521,596 S \* 5/2006 Nimberger ..... D23/233  
7,810,466 B2 10/2010 Preimesberger et al.  
D630,651 S \* 1/2011 Bobby et al. .... D15/5  
D645,882 S \* 9/2011 Duffek et al. .... D15/5  
2008/0271722 A1 \* 11/2008 Grunenwald et al. ... 123/568.12  
2014/0123965 A1 \* 5/2014 Groezinger et al. .... 123/568.12

\* cited by examiner

*Primary Examiner* — Stella Reid

*Assistant Examiner* — Khawaja Anwar

(74) *Attorney, Agent, or Firm* — GE Global Patent  
Operation; John A. Kramer

(57) **CLAIM**

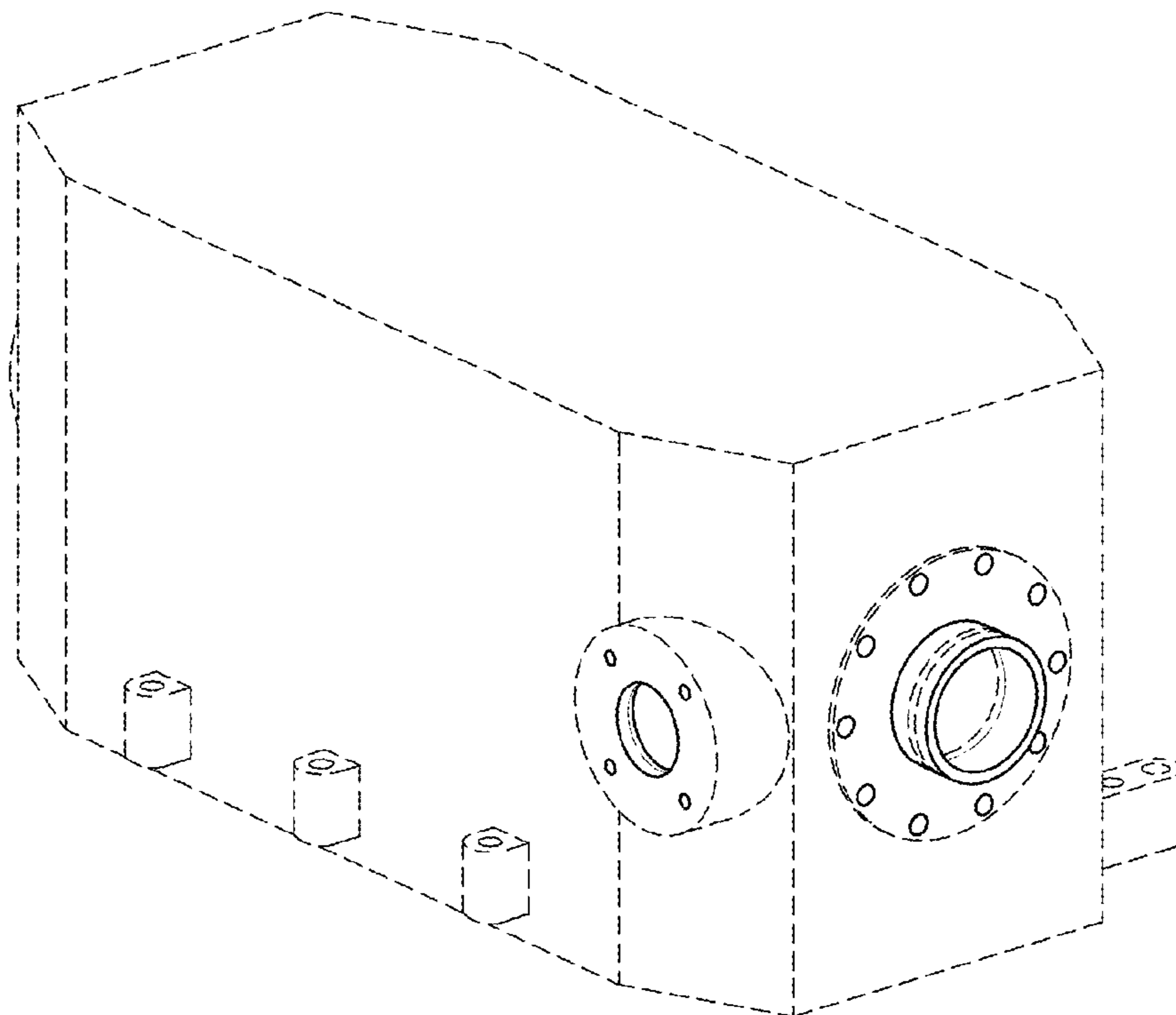
The ornamental design for an exhaust gas recirculation cooler, as shown and described.

**DESCRIPTION**

FIG. 1 is a perspective view of an ornamental design for an exhaust gas recirculation cooler, showing our new design; FIG. 2 is a right side view thereof; FIG. 3 is a left side view thereof; FIG. 4 is an enlarged rear view thereof; FIG. 5 is an enlarged front view thereof; FIG. 6 is a bottom view thereof; and, FIG. 7 is a top view thereof.

The broken lines in the figure drawings, show unclaimed environment only and forms no part of the claimed design.

**1 Claim, 7 Drawing Sheets**



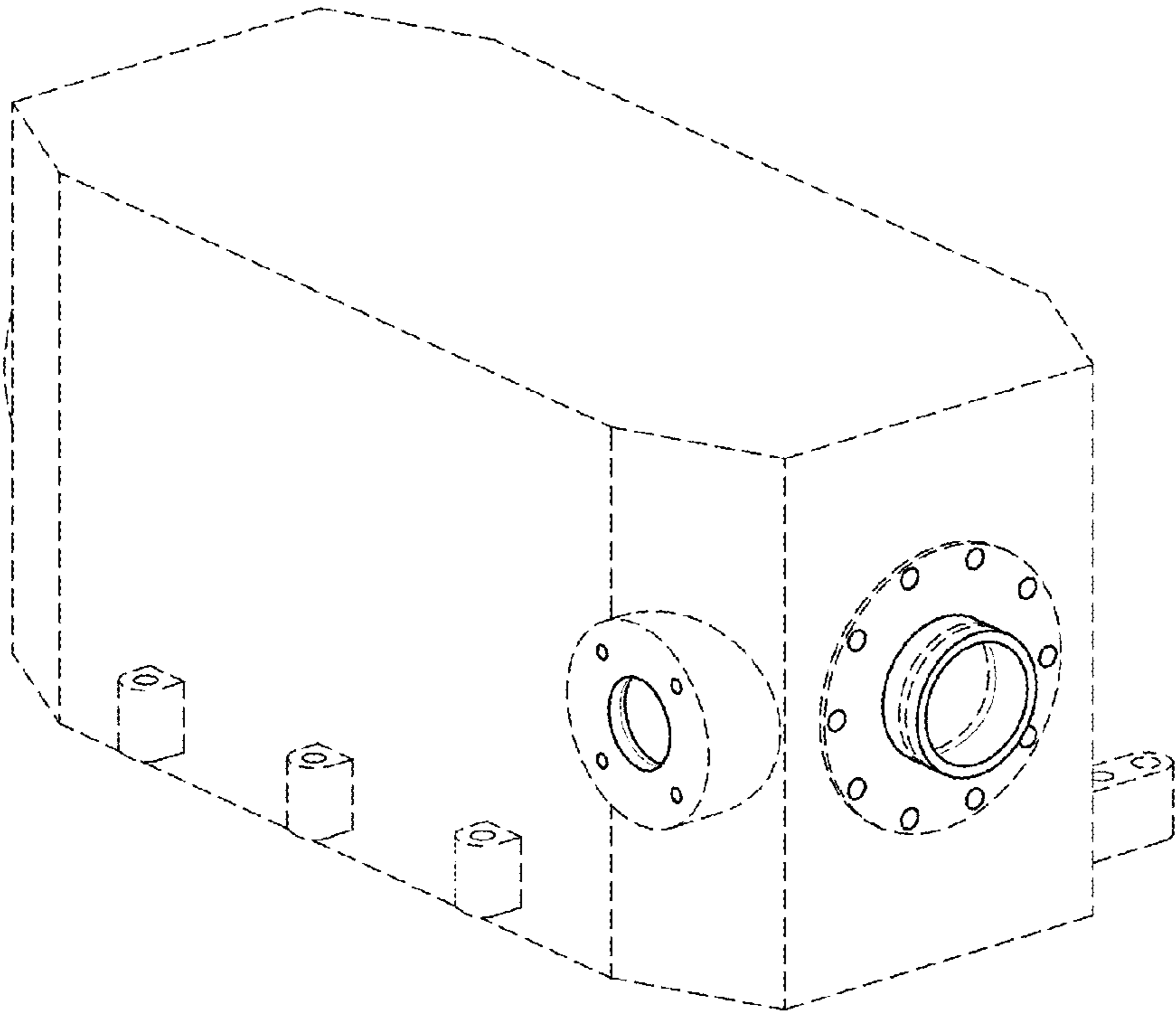


FIG. 1

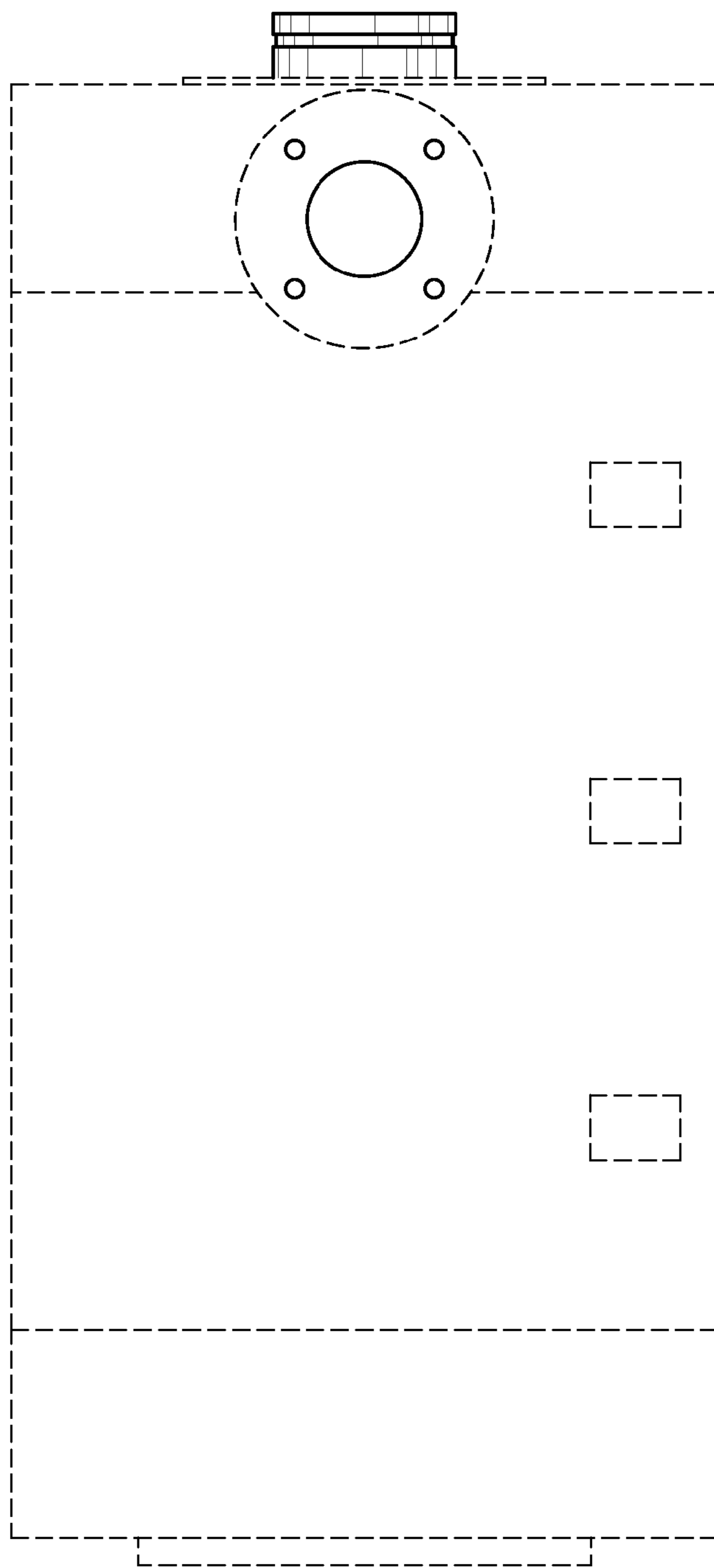


FIG. 2

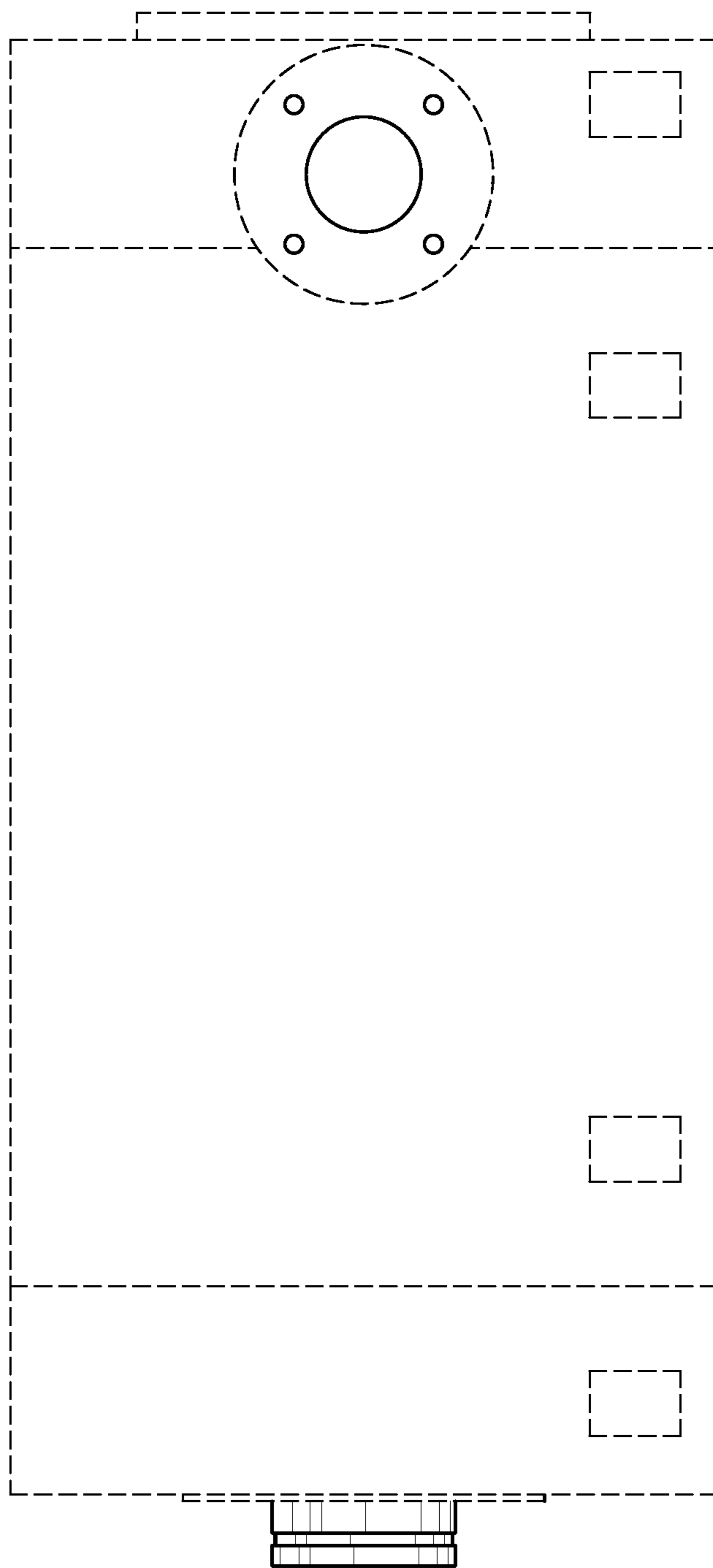


FIG. 3

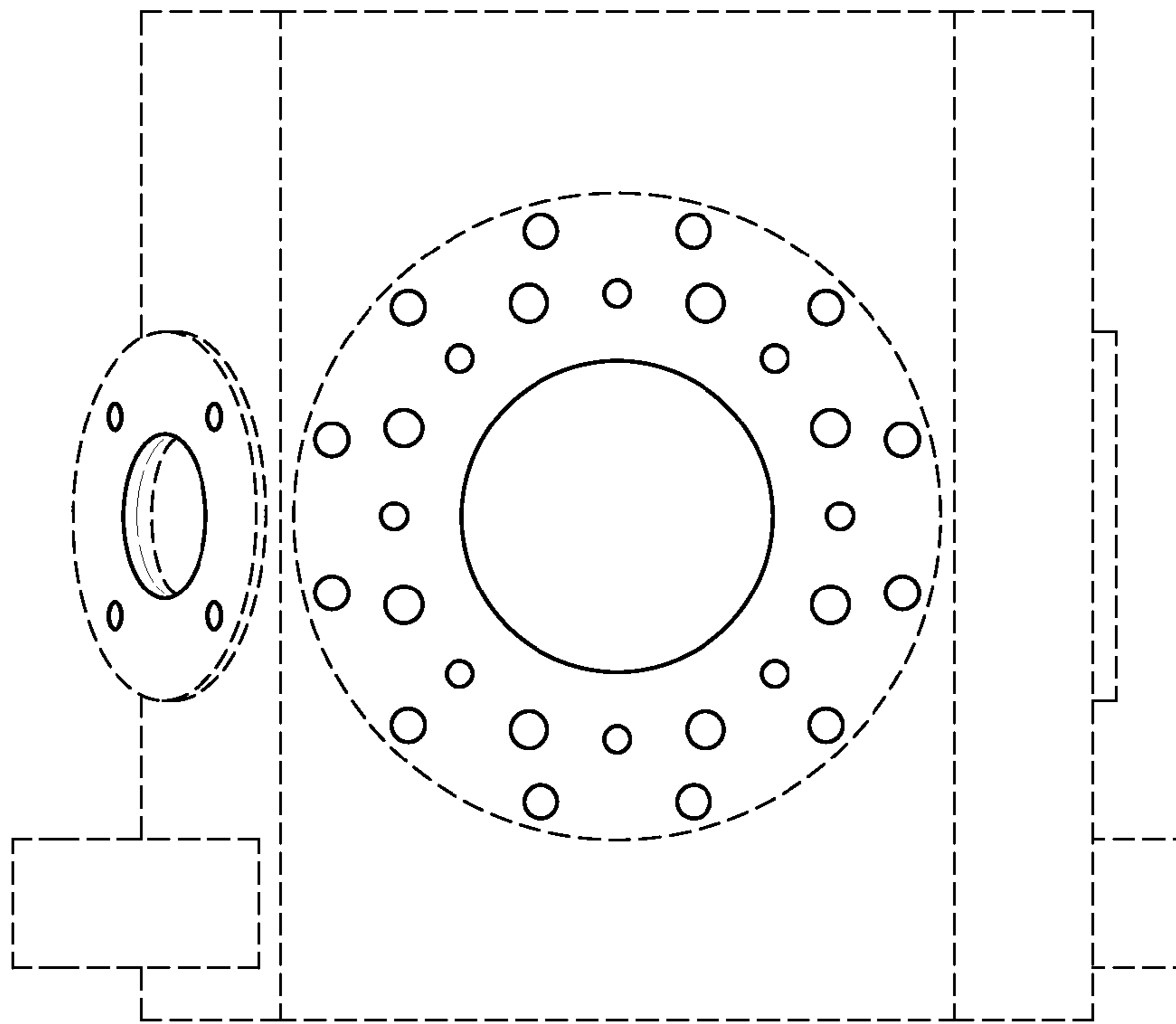


FIG. 4

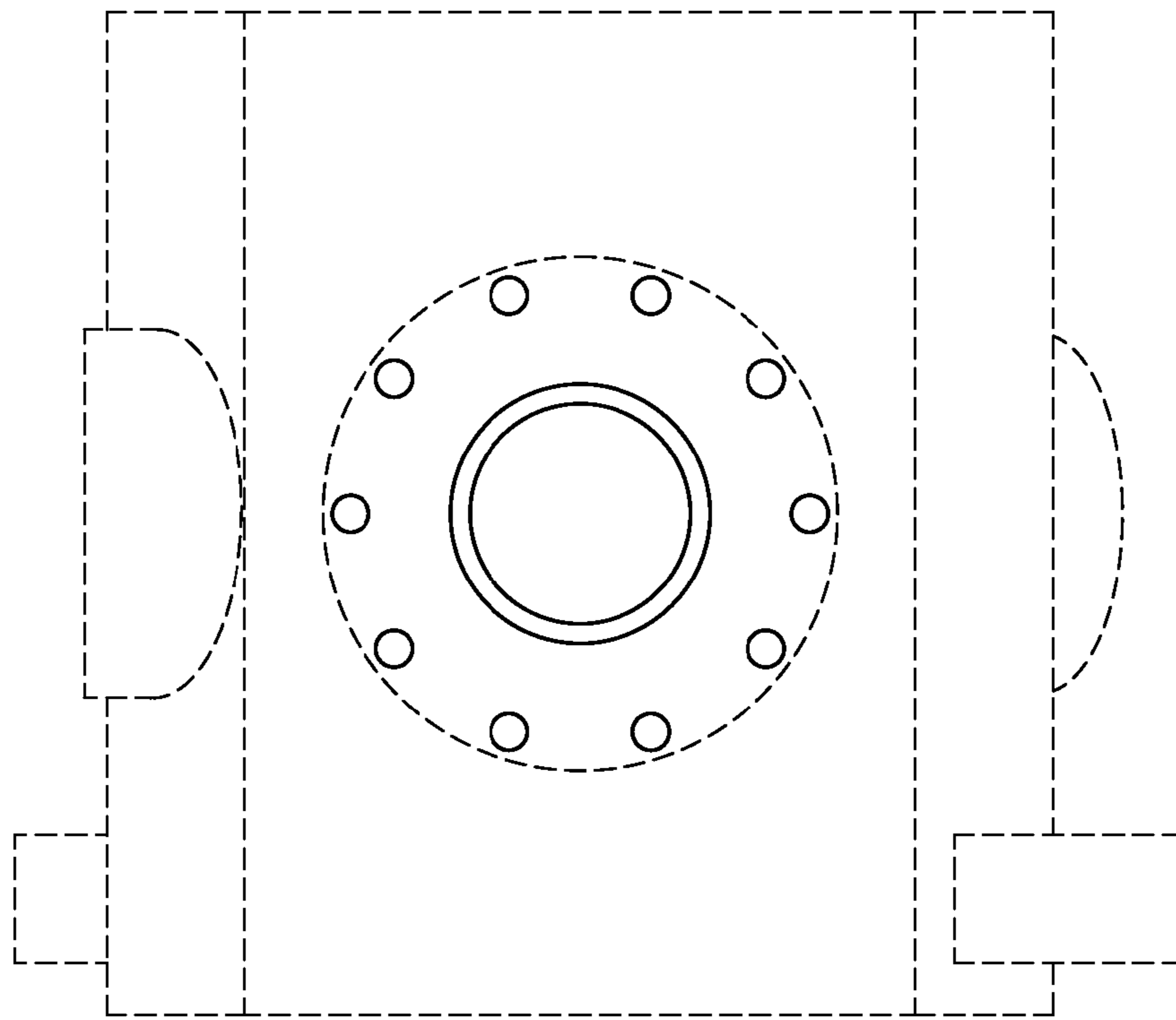


FIG. 5

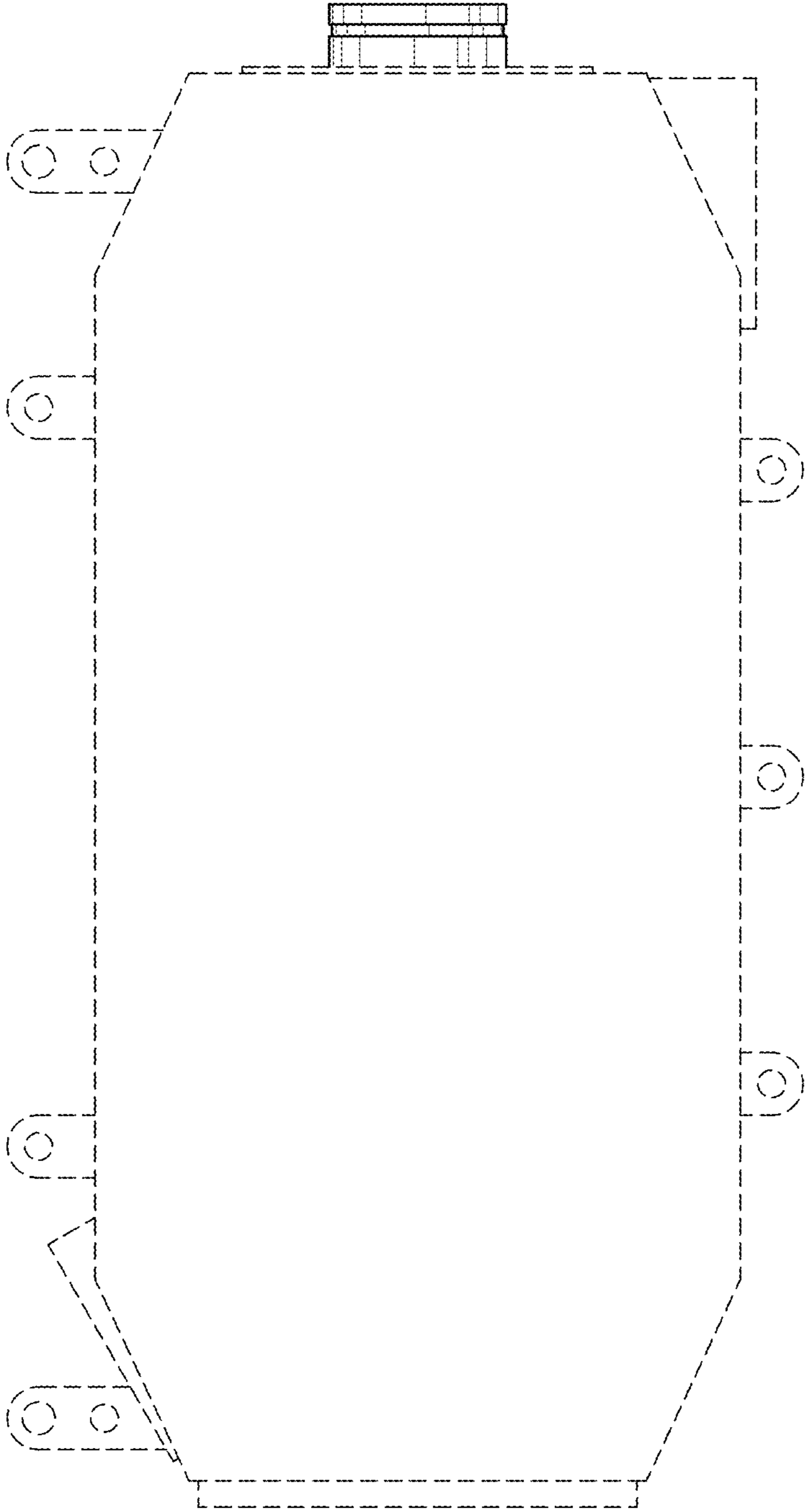


FIG. 6

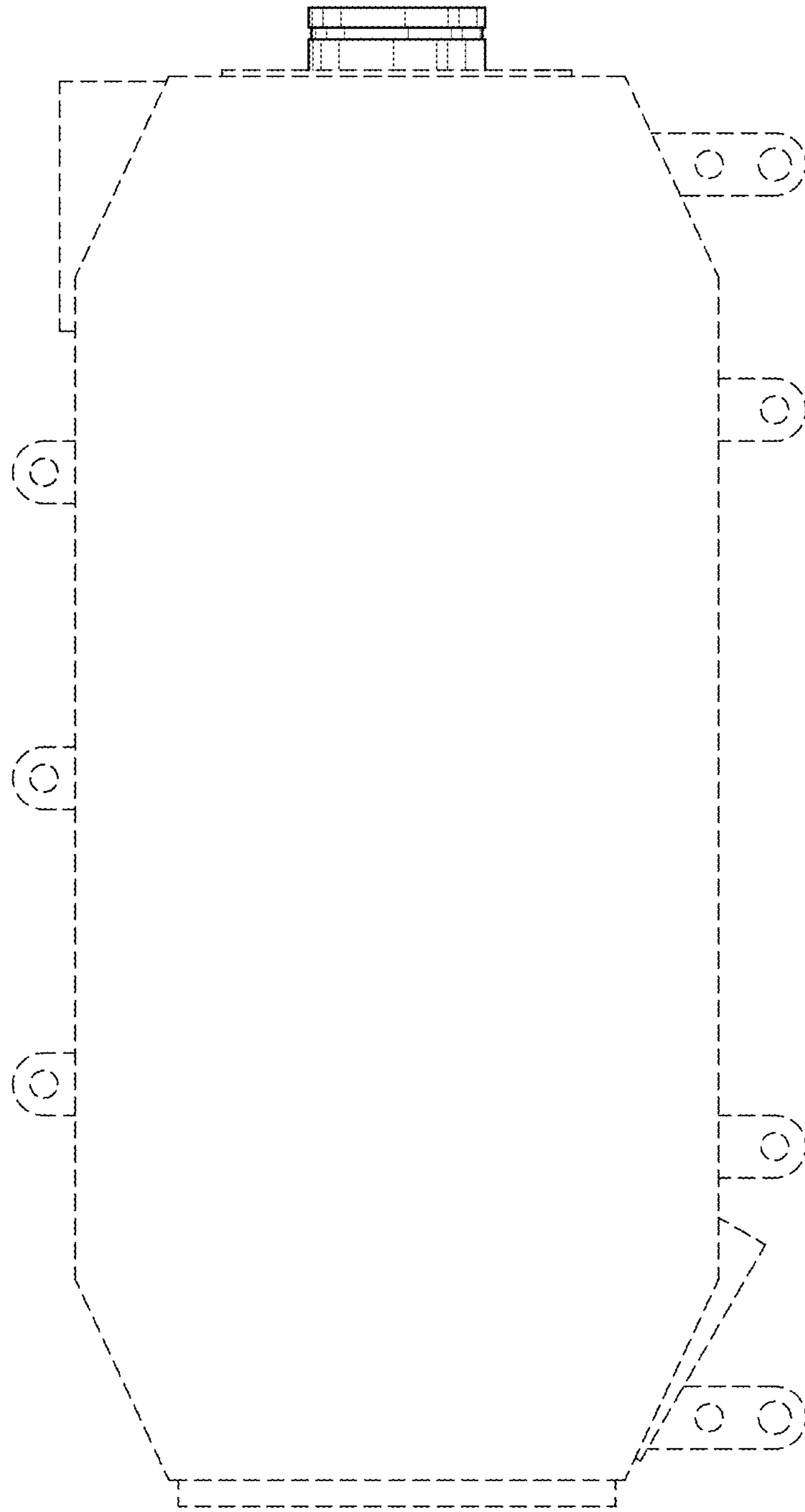


FIG. 7