



US00D726781S

(12) **United States Design Patent**
Shinde

(10) **Patent No.:** **US D726,781 S**

(45) **Date of Patent:** **** Apr. 14, 2015**

(54) **SEWING MACHINE**

(71) Applicant: **Aisin Seiki Kabushiki Kaisha,**
Kariya-shi (JP)

(72) Inventor: **Yoshihiro Shinde,** Kariya (JP)

(73) Assignee: **Aisin Seiki Kabushiki Kaisha,**
Aichi-Ken (JP)

(**) Term: **14 Years**

(21) Appl. No.: **29/482,602**

(22) Filed: **Feb. 20, 2014**

(30) **Foreign Application Priority Data**

Nov. 26, 2013 (JP) 2013-027620

(51) **LOC (10) Cl.** **15-03**

(52) **U.S. Cl.**
USPC **D15/69**

(58) **Field of Classification Search**
USPC D15/66-78; 112/2, 63, 78, 154,
112/217.1-217.4, 475.01, 256-261, 248
See application file for complete search history.

(56) **References Cited**

U.S. PATENT DOCUMENTS

2,516,874 A * 8/1950 Holland 112/248
2,755,754 A * 7/1956 Urscheler 112/460

D188,358 S * 7/1960 Garcia D15/69
D359,965 S * 7/1995 Nakajima et al. D15/69
D382,280 S * 8/1997 Kato et al. D15/69
D481,738 S * 11/2003 Egami D15/69
D504,137 S * 4/2005 Kuroki D15/69
D507,583 S * 7/2005 Muto D15/70
D508,500 S * 8/2005 Kawaguchi D15/70
D514,598 S * 2/2006 Egami D15/69
D569,394 S * 5/2008 Kawaguchi D15/70
D620,504 S * 7/2010 Hattori D15/69
D678,920 S * 3/2013 Zhang D15/69

* cited by examiner

Primary Examiner — Mitchell Siegel

(74) *Attorney, Agent, or Firm* — Buchanan Ingersoll & Rooney PC

(57) **CLAIM**

The ornamental design for a sewing machine, as shown and described.

DESCRIPTION

FIG. 1 is a front, top and left side perspective view of a sewing machine showing my new design;
FIG. 2 is a rear, top and right side perspective view thereof;
FIG. 3 is a front view thereof;
FIG. 4 is a rear view thereof;
FIG. 5 is a top plan view thereof;
FIG. 6 is a bottom plan view thereof;
FIG. 7 is a right side view thereof; and,
FIG. 8 is a left side view thereof.

1 Claim, 8 Drawing Sheets

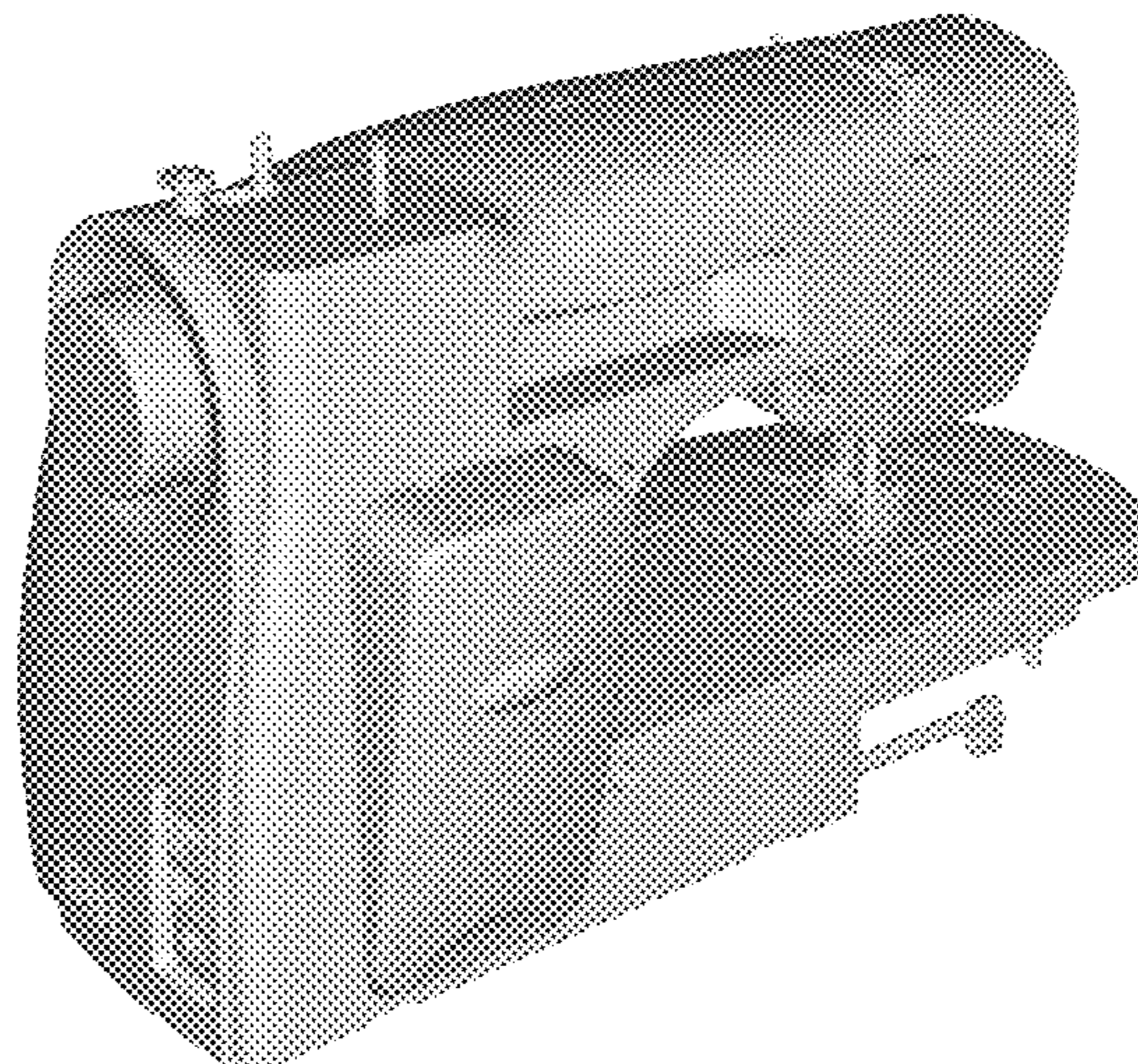
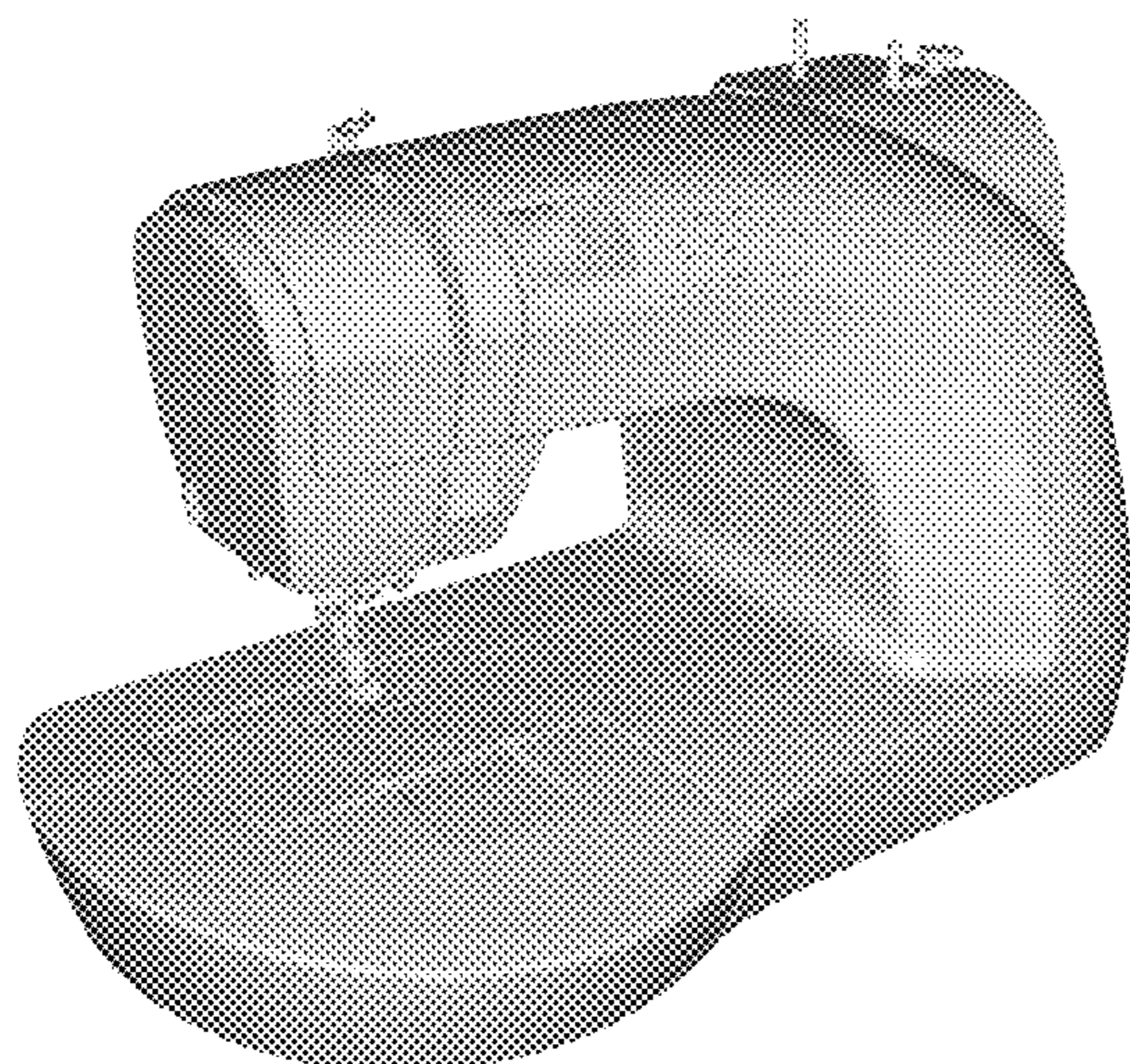


FIG. 1

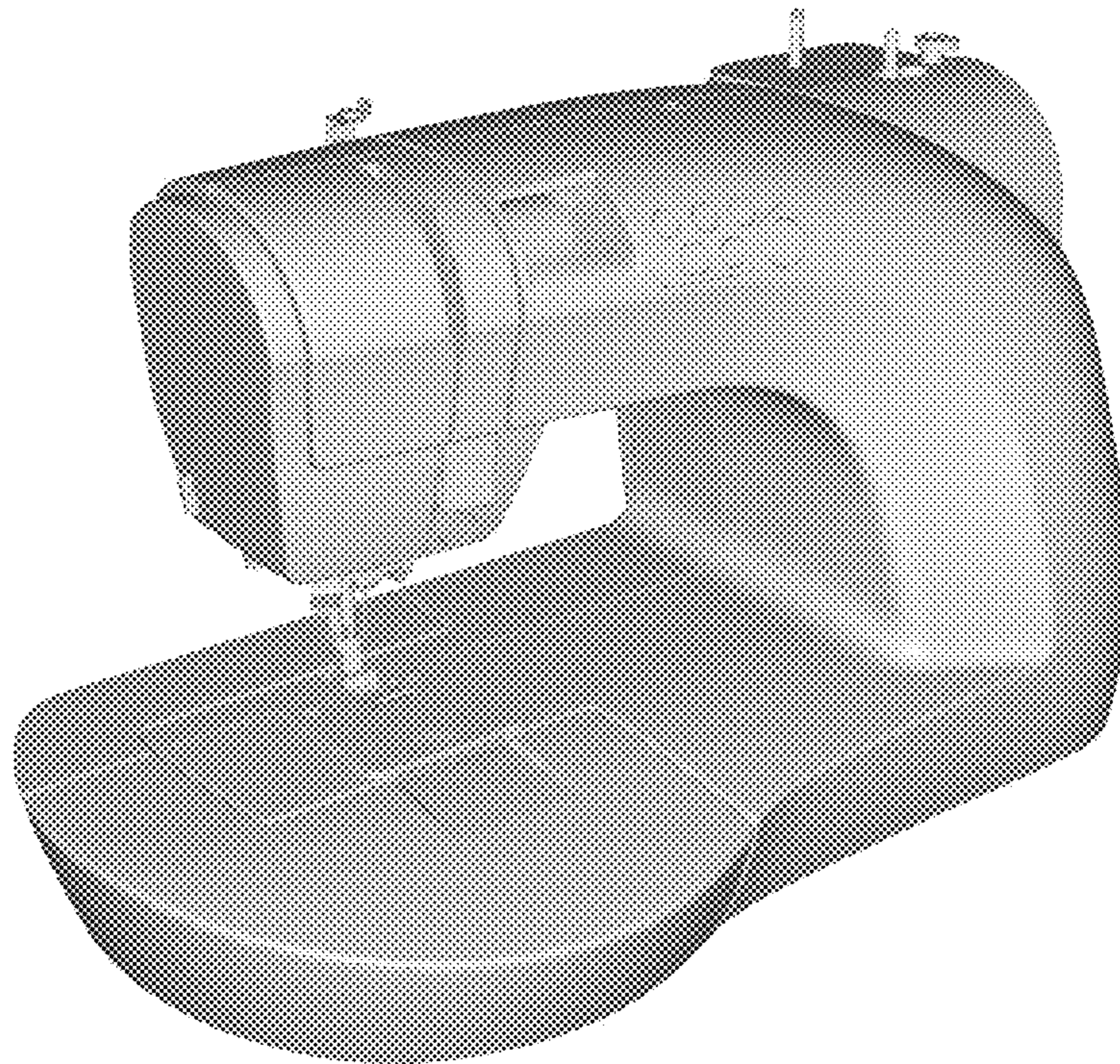


FIG. 2

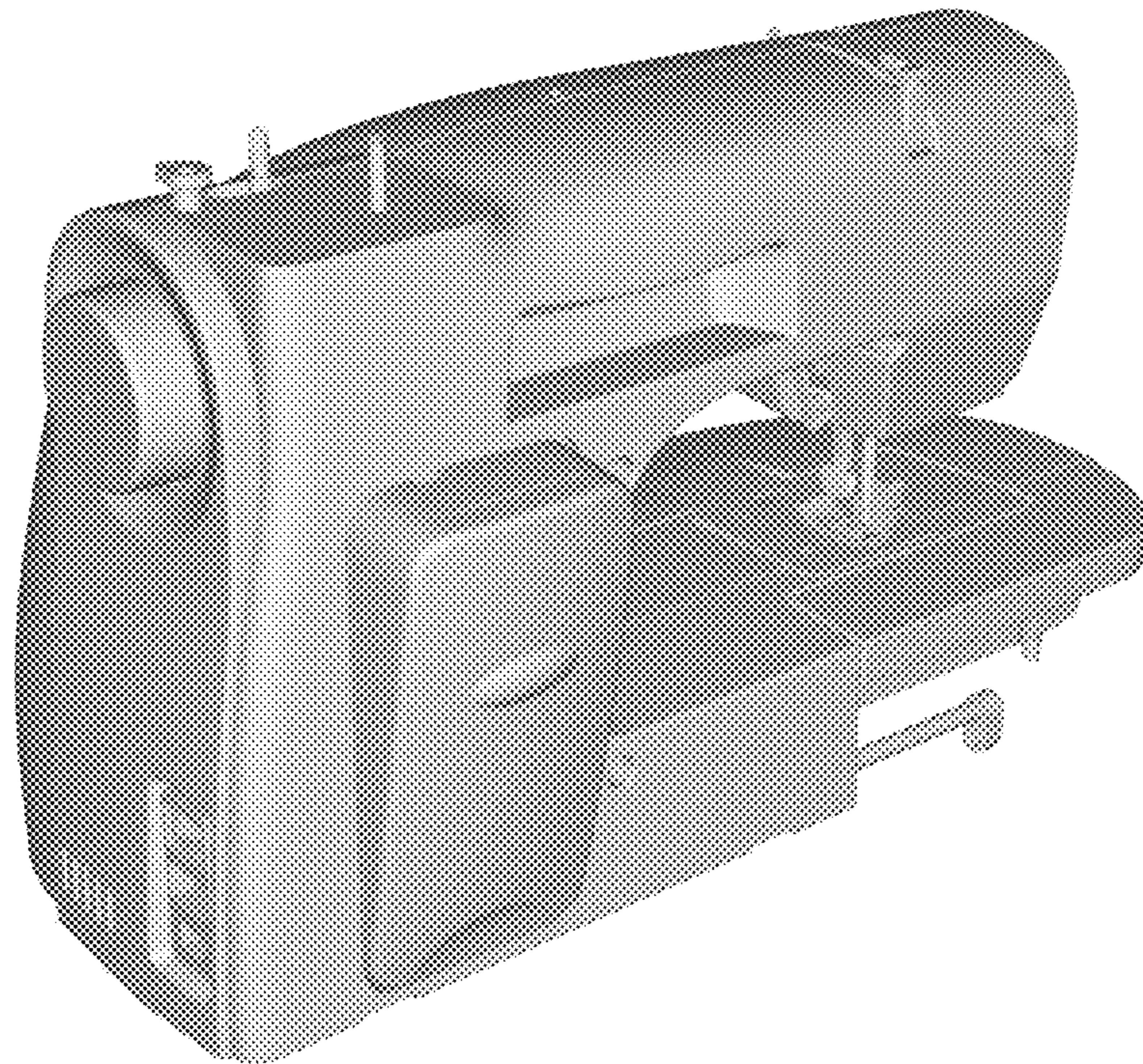


FIG. 3

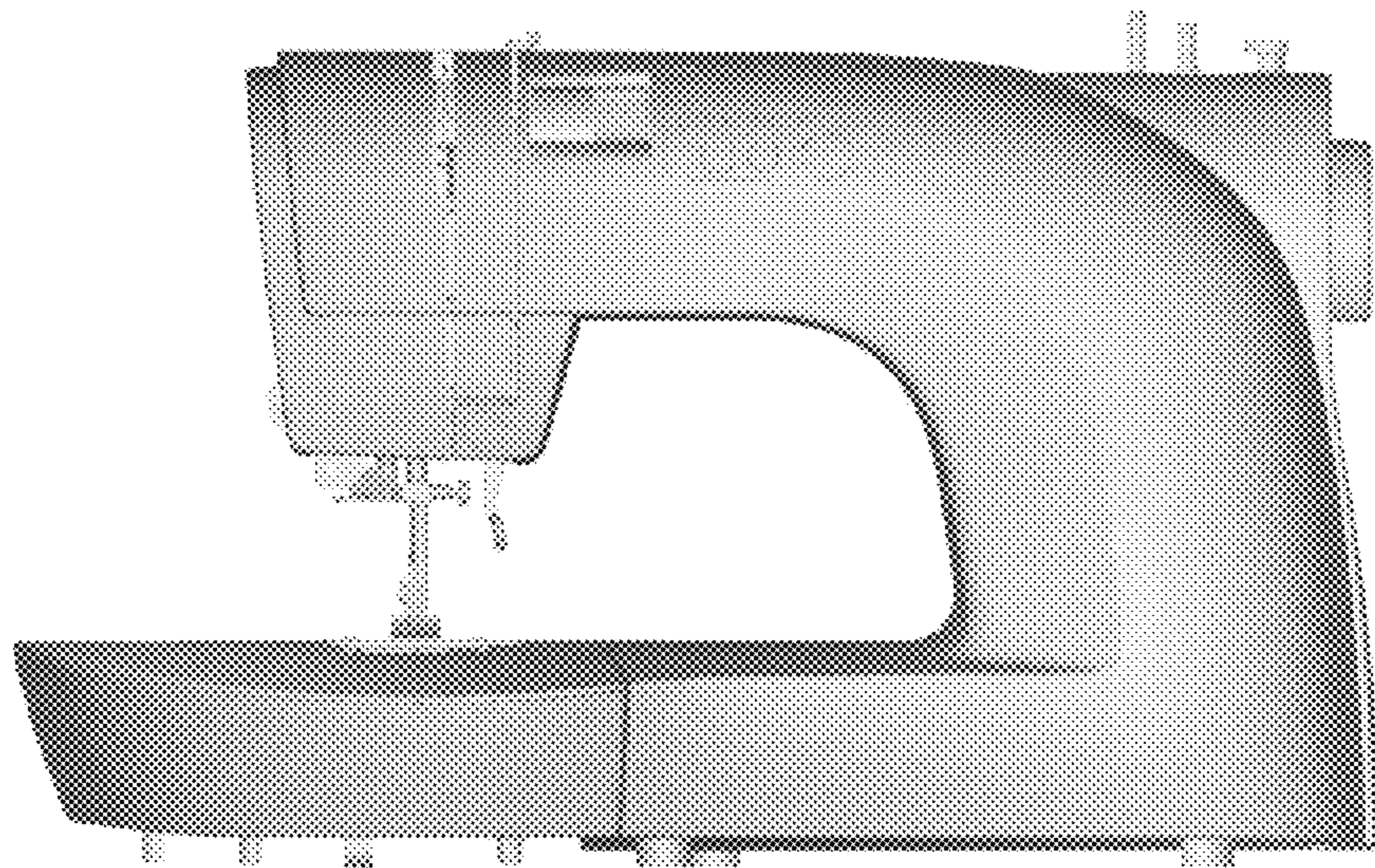


FIG. 4

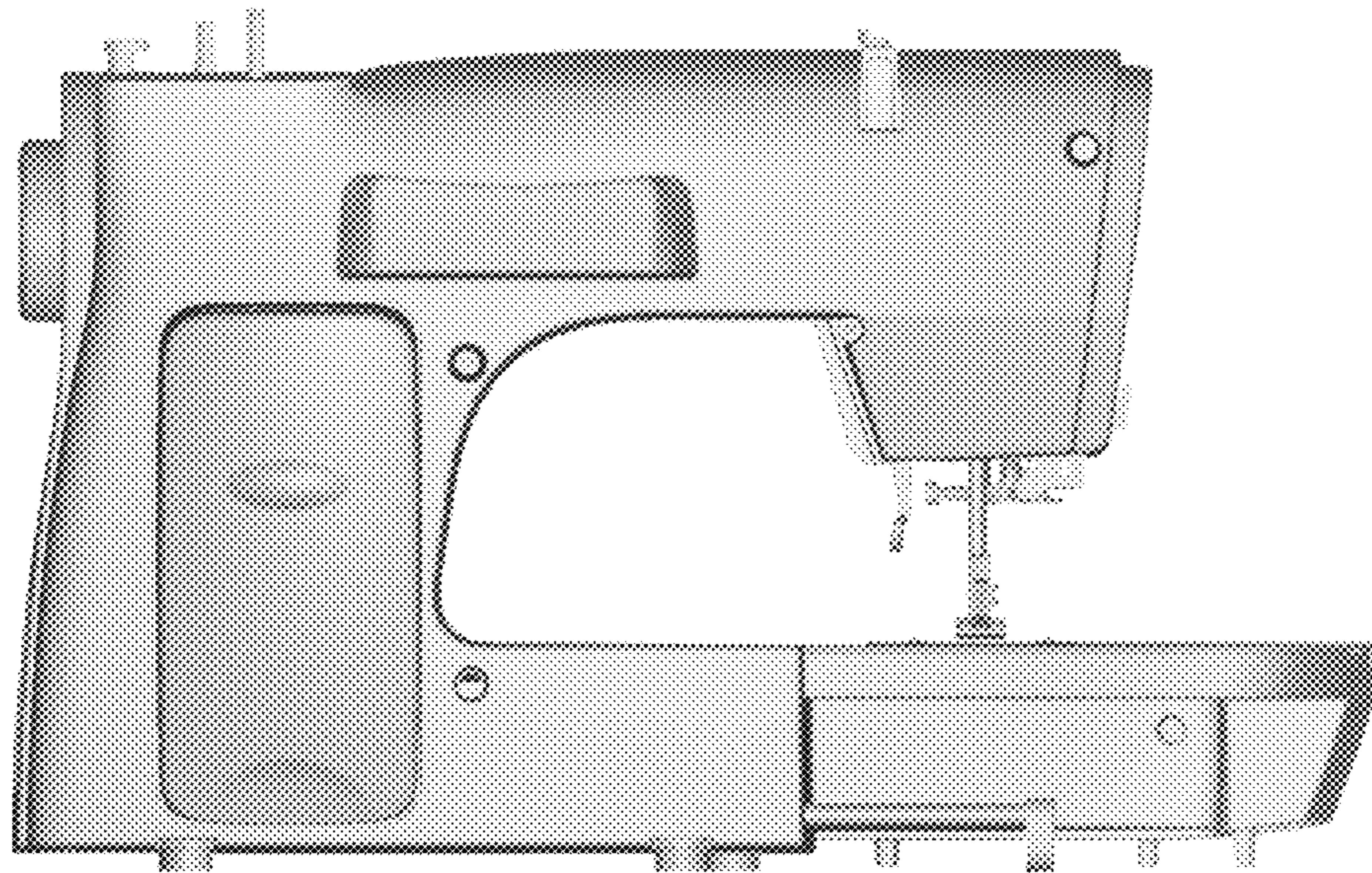


FIG. 5

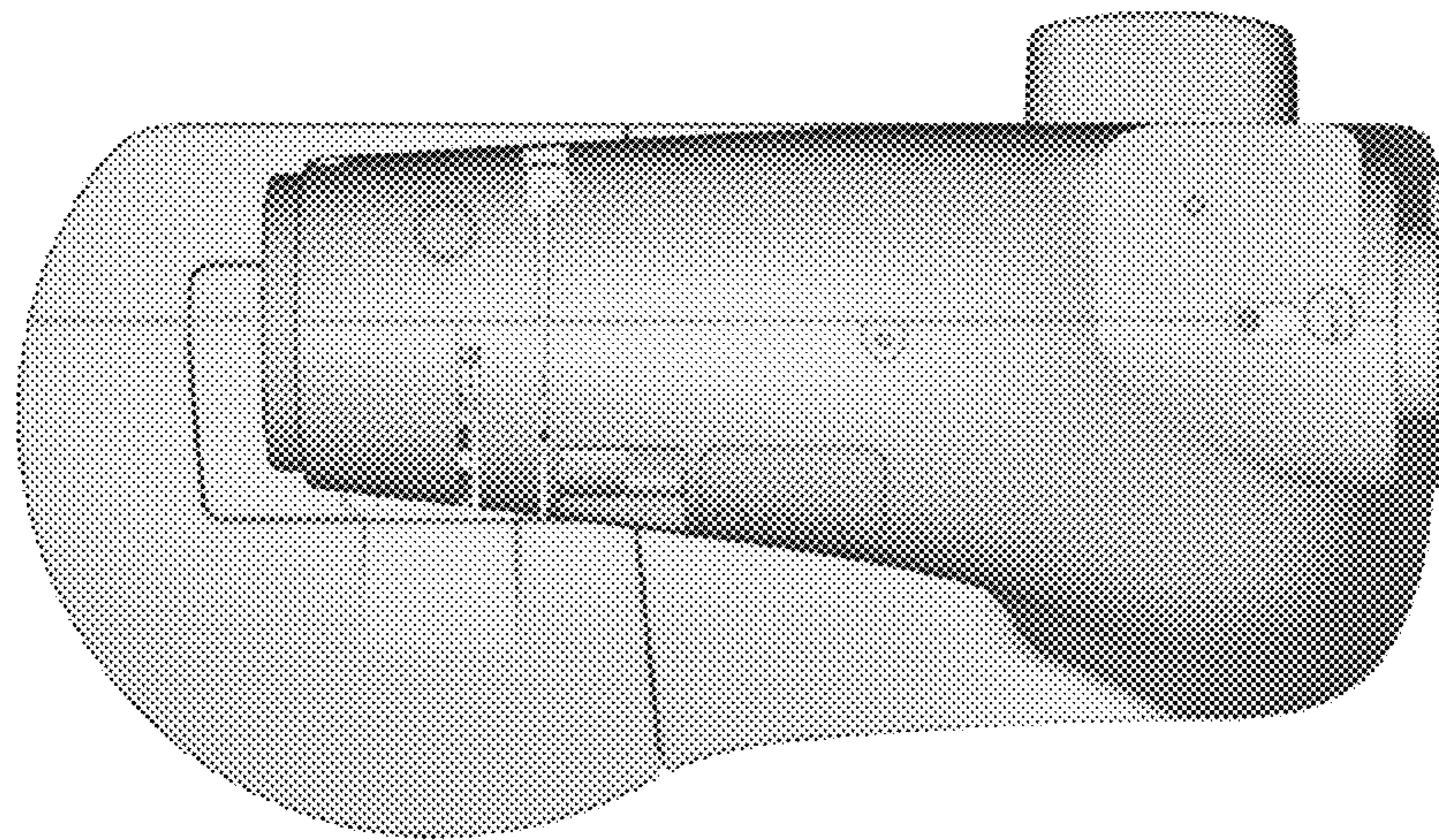


FIG. 6

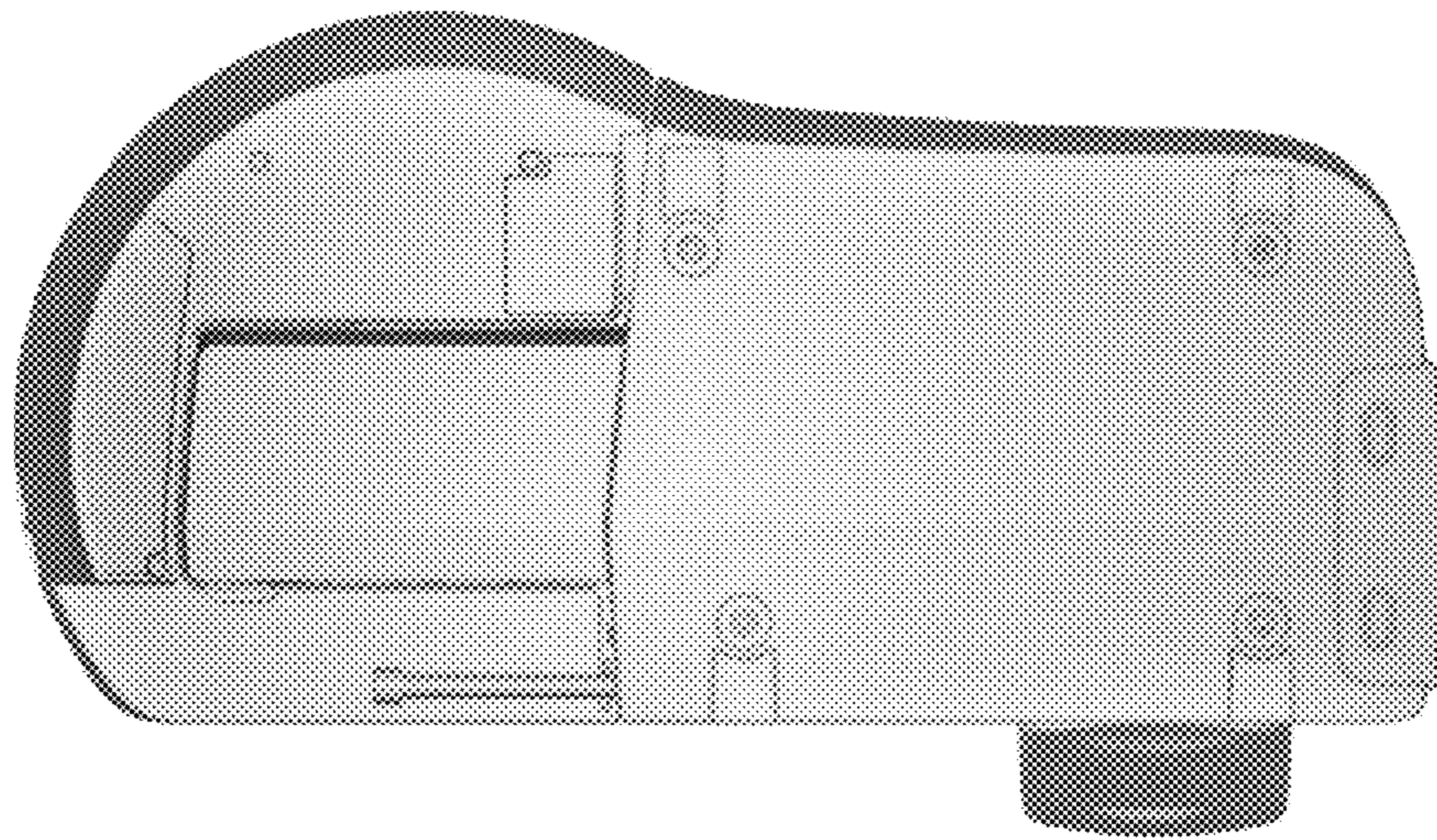


FIG. 7

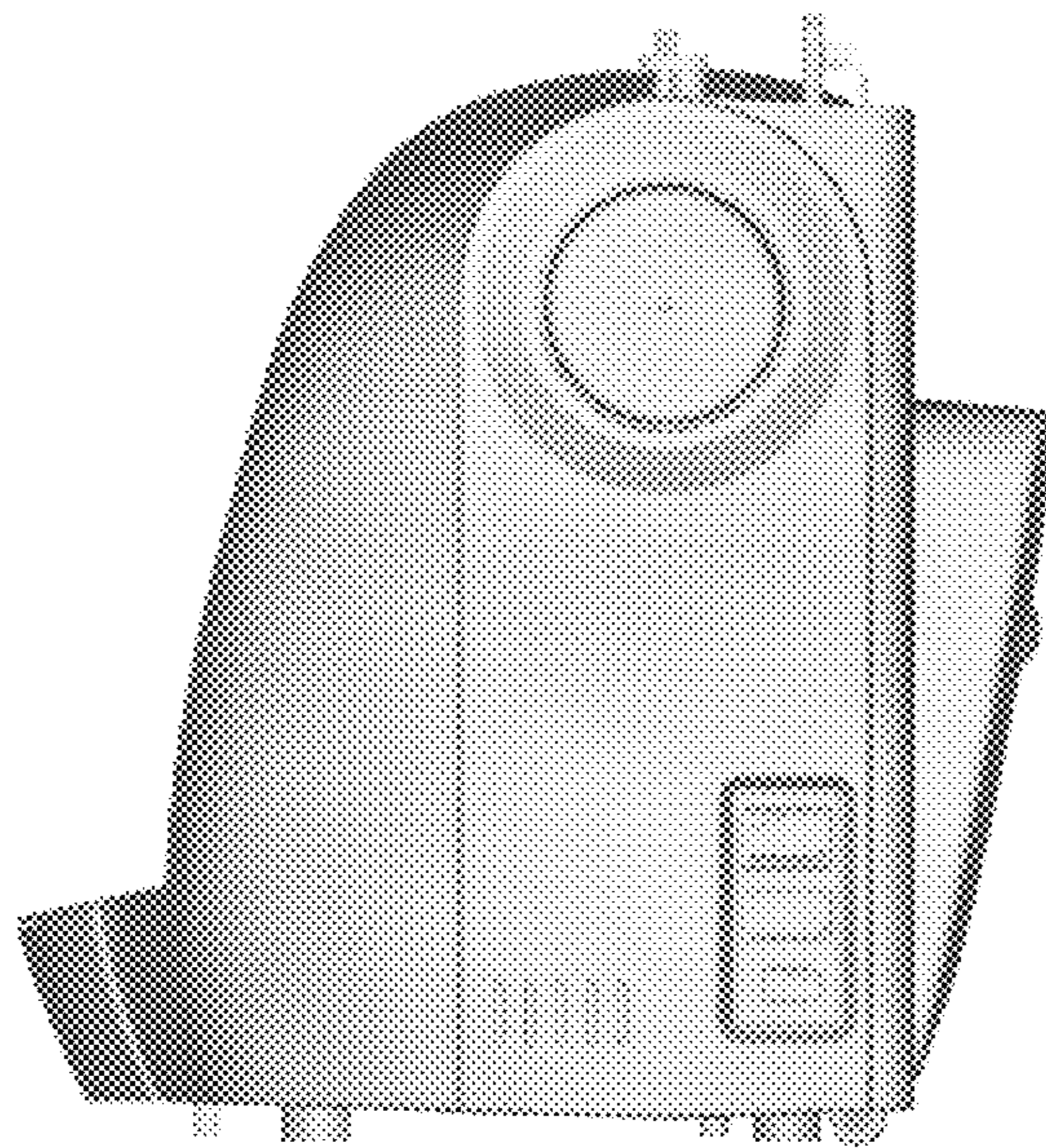


FIG. 8

